



US00D510387S

(12) **United States Design Patent**
Lynn et al.

(10) **Patent No.:** **US D510,387 S**
(45) **Date of Patent:** **** Oct. 4, 2005**

(54) **LABEL DISPENSER**

(76) Inventors: **Eric R. Lynn**, 2709 E. Monecito Ave.,
Phoenix, AZ (US) 85016; **David R. Guilbault**,
4977 E. Aire Libre Ave., Scottsdale, AZ (US) 85254;
Steve W. Irons, 757 E. Mountain Sky Ave.,
Phoenix, AZ (US) 85048

(**) **Term:** **14 Years**

(21) **Appl. No.:** **29/217,614**

(22) **Filed:** **Nov. 18, 2004**

(51) **LOC (8) Cl.** **19-02**

(52) **U.S. Cl.** **D19/69; D19/65; D19/89**

(58) **Field of Search** D19/65, 67, 68,
D19/69, 89, 95, 99, 100; 221/22, 70, 72,
73; 225/6, 7, 8, 12, 19, 24, 35, 36, 45-47,
56, 65, 77, 89; 242/588.1-588.6; 156/576,
584

(56) **References Cited**

U.S. PATENT DOCUMENTS

1,791,325 A * 2/1931 Ralph 281/6
2,671,917 A * 3/1954 Martin et al. 225/6
3,283,886 A * 11/1966 Addis et al. 242/588.6

D207,468 S * 4/1967 Addis D19/69
D363,742 S * 10/1995 Fitzsimmons D19/69
D398,646 S * 9/1998 Geiger D19/69
5,806,714 A * 9/1998 Geiger 221/73
6,431,397 B1 * 8/2002 Fishman 221/73
D469,813 S * 2/2003 Ho D19/89

* cited by examiner

Primary Examiner—Martie K. Holtje
(74) *Attorney, Agent, or Firm*—Mark F. Wright; Wright
Law Group, PLLC

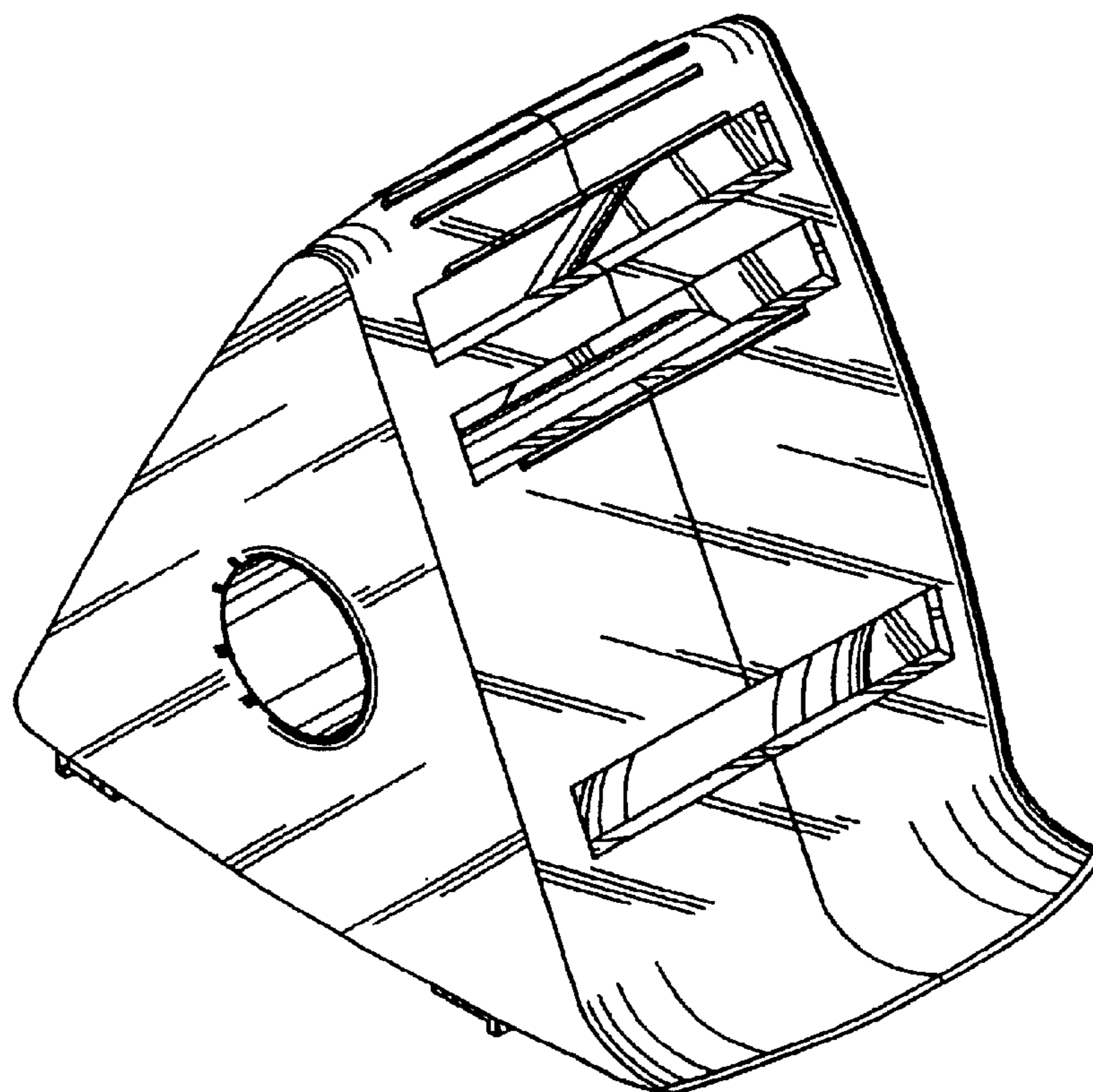
(57) **CLAIM**

The ornamental design for a label dispenser, as shown and described.

DESCRIPTION

FIG. 1 is a perspective view of a label dispenser showing our new design;
FIG. 2 is a top view thereof;
FIG. 3 is a front view thereof;
FIG. 4 is a right side view thereof;
FIG. 5 is a left side view thereof;
FIG. 6 is a rear view thereof; and,
FIG. 7 is a bottom view thereof.

1 Claim, 3 Drawing Sheets



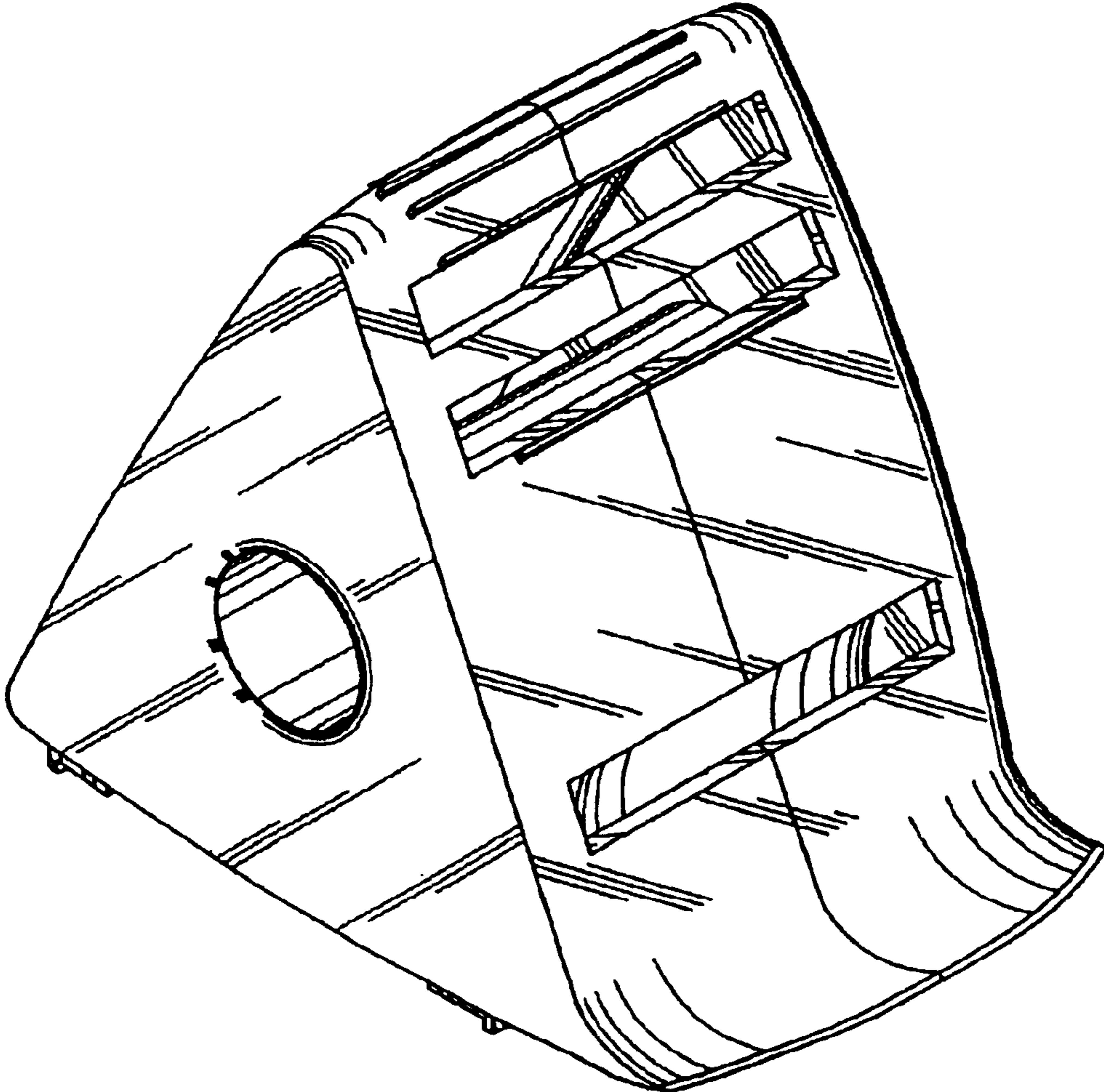


Figure 1

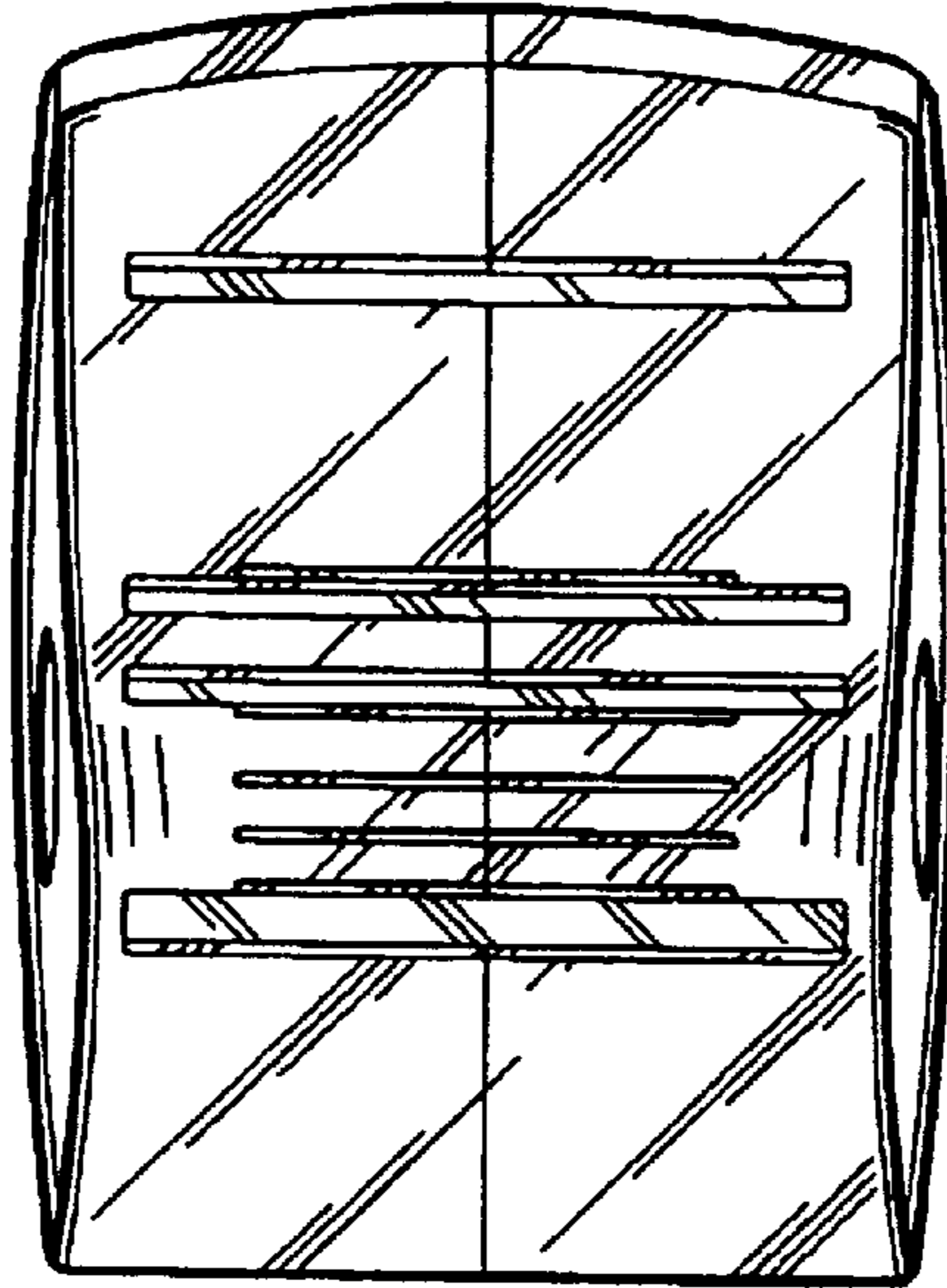


Figure 2

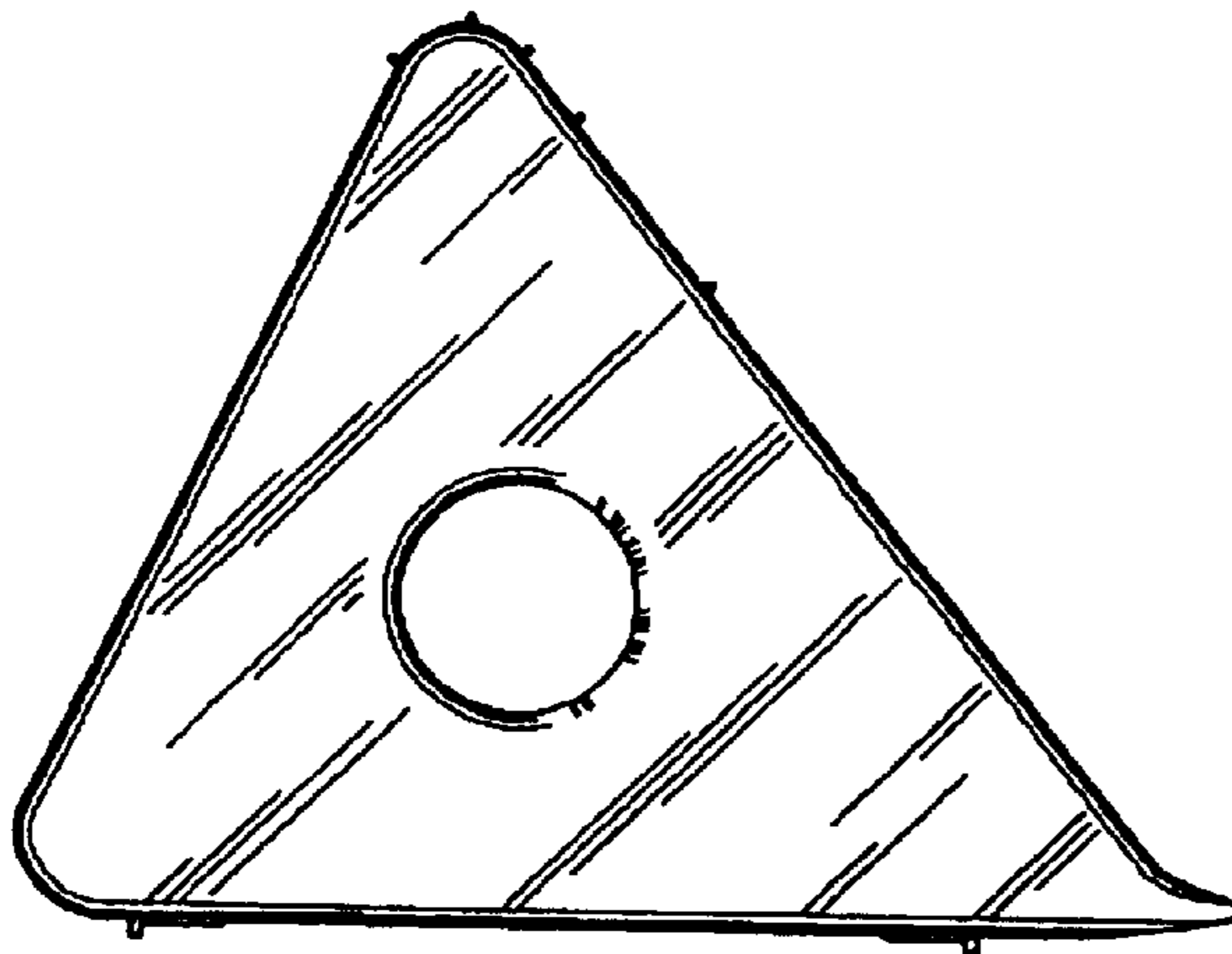


Figure 3

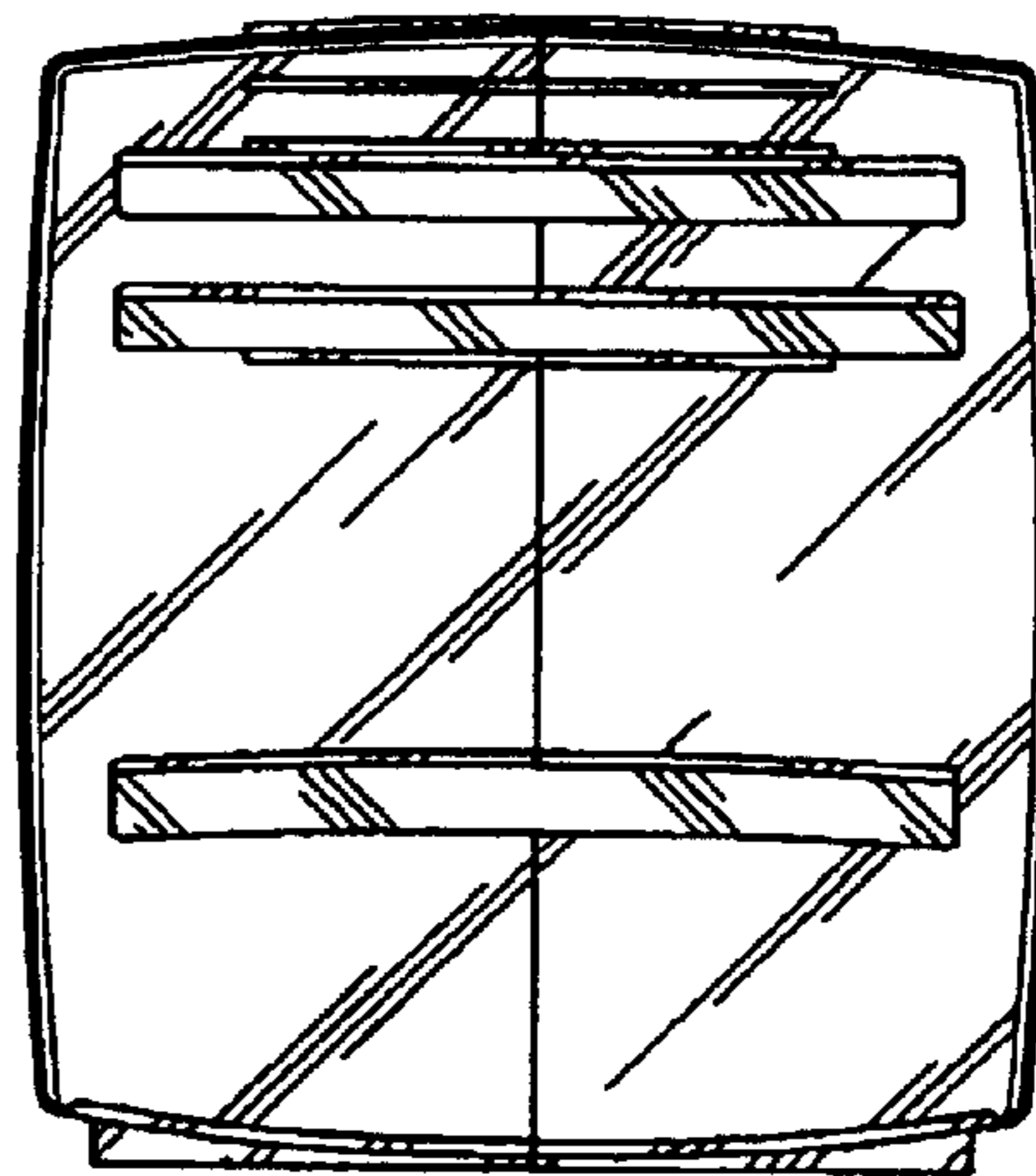


Figure 4

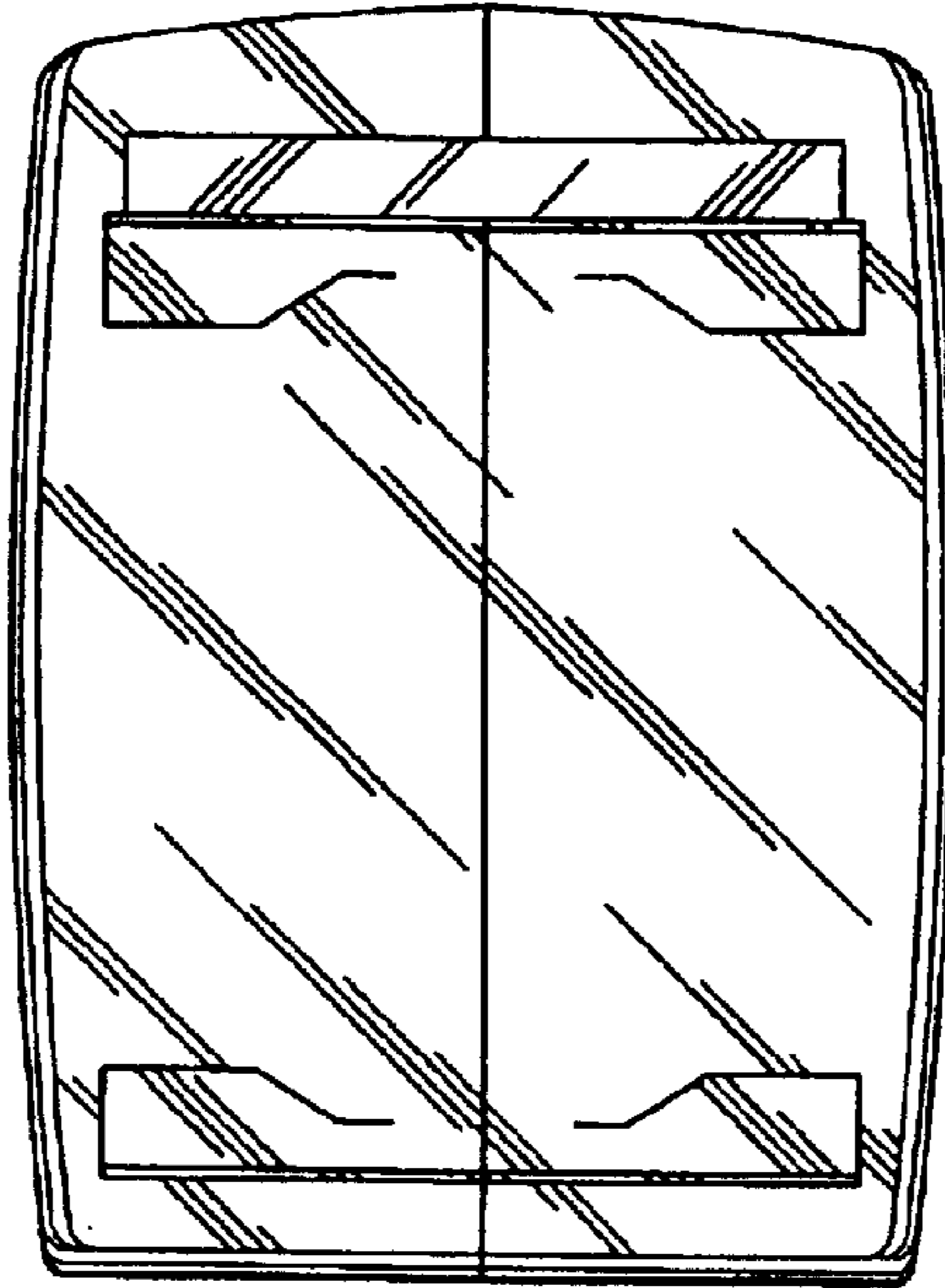


Figure 5

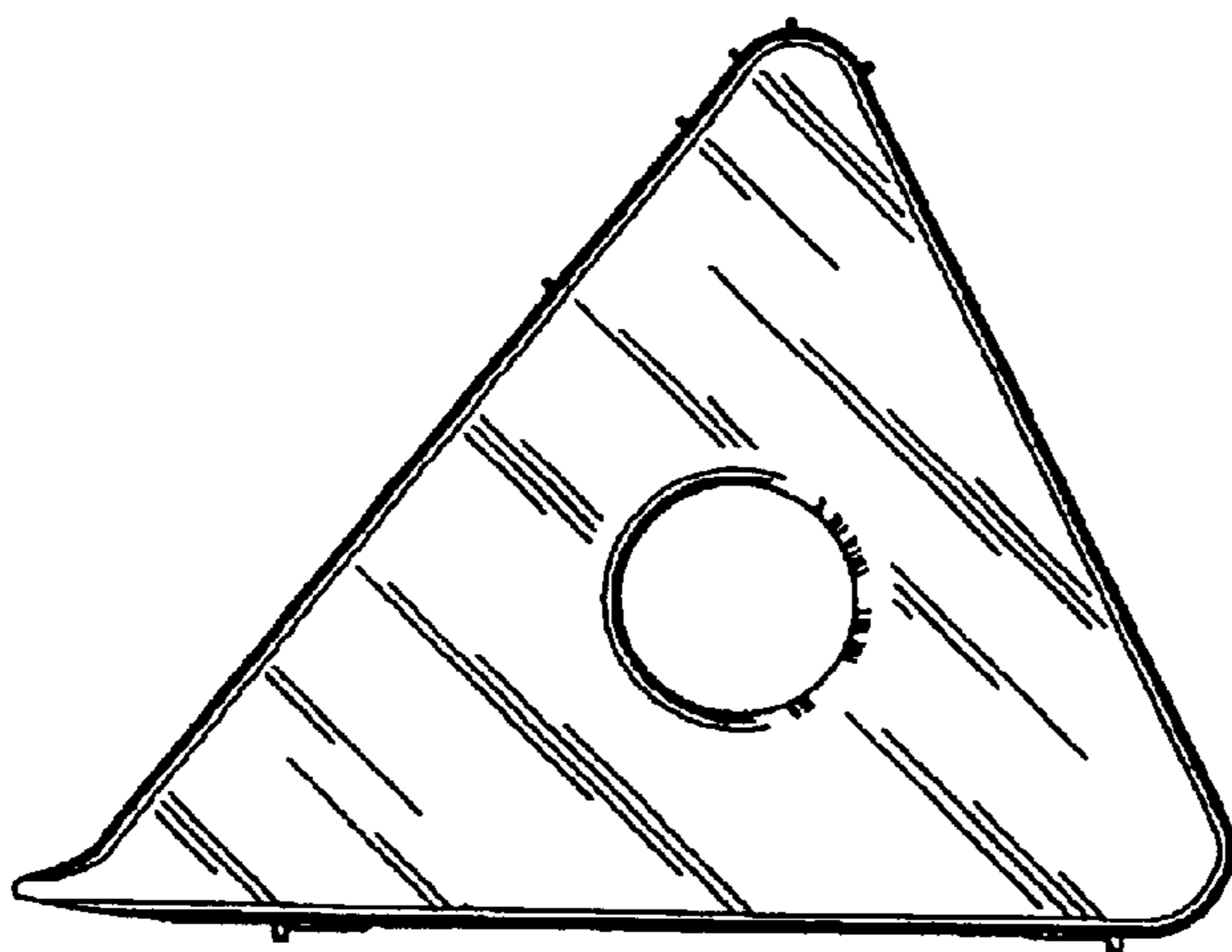


Figure 6

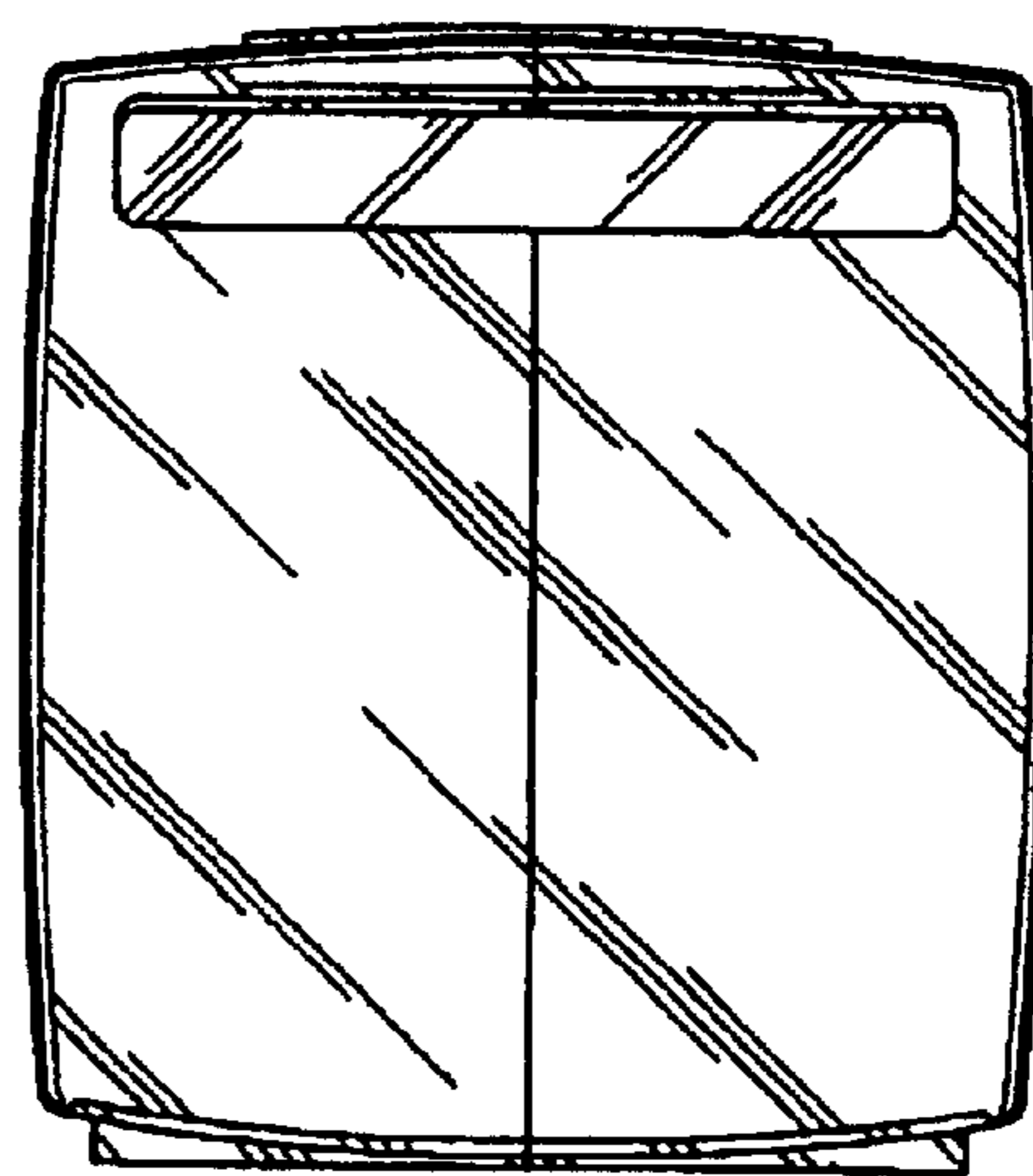


Figure 7