



US00D510384S

(12) **United States Design Patent** (10) **Patent No.:** **US D510,384 S**
Allen et al. (45) **Date of Patent:** **** Oct. 4, 2005**

(54) **PAYMENT DEVICE**

(76) Inventors: **Chris Allen**, 92 Atlantic Ave., #4D, Brooklyn, NY (US) 11201; **David Bonalle**, 77 Rose Hill Ave., New Rochelle, NY (US) 10804; **Jennifer Elwood**, 245 E. 84th St. Apt. #3E, New York, NY (US) 10028; **Ronald Guillard**, 5214 Livingston Ave., Dallas, TX (US) 75209; **Jeff Kohnle**, 4709 Morning Hgwy., McKinney, TX (US) 75070; **VC Kumar**, 901 Sapebrush St., Garland, TX (US) 75064; **Douglas N. Laube**, 13162 County Rd. 550, Farmersville, TX (US) 75442; **Stephen R. Myers**, 1420 Cool Springs, Allen, TX (US) 75013; **Lisa Skilling-Belmond**, 309 W. 57th St., New York, NY (US) 10019; **Judy Vigiletti**, 30 Applebee Farm Rd., Croton on Hudson, NY (US) 10520

1,456,583 A	*	5/1923	Becker	283/70
2,297,285 A	*	9/1942	Bledsoe	40/634
D262,895 S	*	2/1982	Szabo	D19/11
D291,897 S	*	9/1987	Flies	D20/22
4,877,950 A	*	10/1989	Halpern	235/380
5,180,192 A	*	1/1993	Herbert	283/101
5,183,153 A	*	2/1993	Linn	206/232
5,357,700 A	*	10/1994	Schulte	40/301
6,089,060 A	*	7/2000	Steeley	70/456 R
6,116,505 A		9/2000	Withrow		
6,123,223 A		9/2000	Watkins		
D442,629 S		5/2001	Webb et al.		
6,257,486 B1		7/2001	Teicher et al.		
D452,246 S	*	12/2001	Wallace et al.	D14/436
D453,515 S	*	2/2002	Brewer et al.	D14/436
D456,600 S	*	5/2002	Gadson	D3/208
6,422,464 B1		7/2002	Terranova		
D476,693 S	*	7/2003	Yuran	D20/22
6,594,154 B1	*	7/2003	Brewer et al.	235/492

* cited by examiner

Primary Examiner—James Gandy
Assistant Examiner—Elizabeth Albert
(74) *Attorney, Agent, or Firm*—Snell & Wilmer LLP; Patrick L. Nixon

(**) Term: **14 Years**

(21) Appl. No.: **29/169,501**

(22) Filed: **Oct. 18, 2002**

(51) **LOC (8) Cl.** **10-01**

(52) **U.S. Cl.** **D19/10**

(58) **Field of Search** D3/207, 208, 212, D3/215; D14/383, 426, 435, 436, 437, 438; D19/9, 10, 11, 12; D20/22, 40, 27; 40/1.5, 625, 6, 27, 124.01, 299.01, 634, 636; 235/380, 382, 435, 436, 449, 454, 468, 488, 491, 492, 493; 283/70, 72, 74, 75, 80

(56) **References Cited**

U.S. PATENT DOCUMENTS

130,152 A	*	8/1872	Pultz	40/27
938,310 A	*	10/1909	Foster	40/662
1,401,338 A	*	12/1921	Laracy	283/73
1,453,517 A	*	5/1923	Penksa	40/6

(57) **CLAIM**

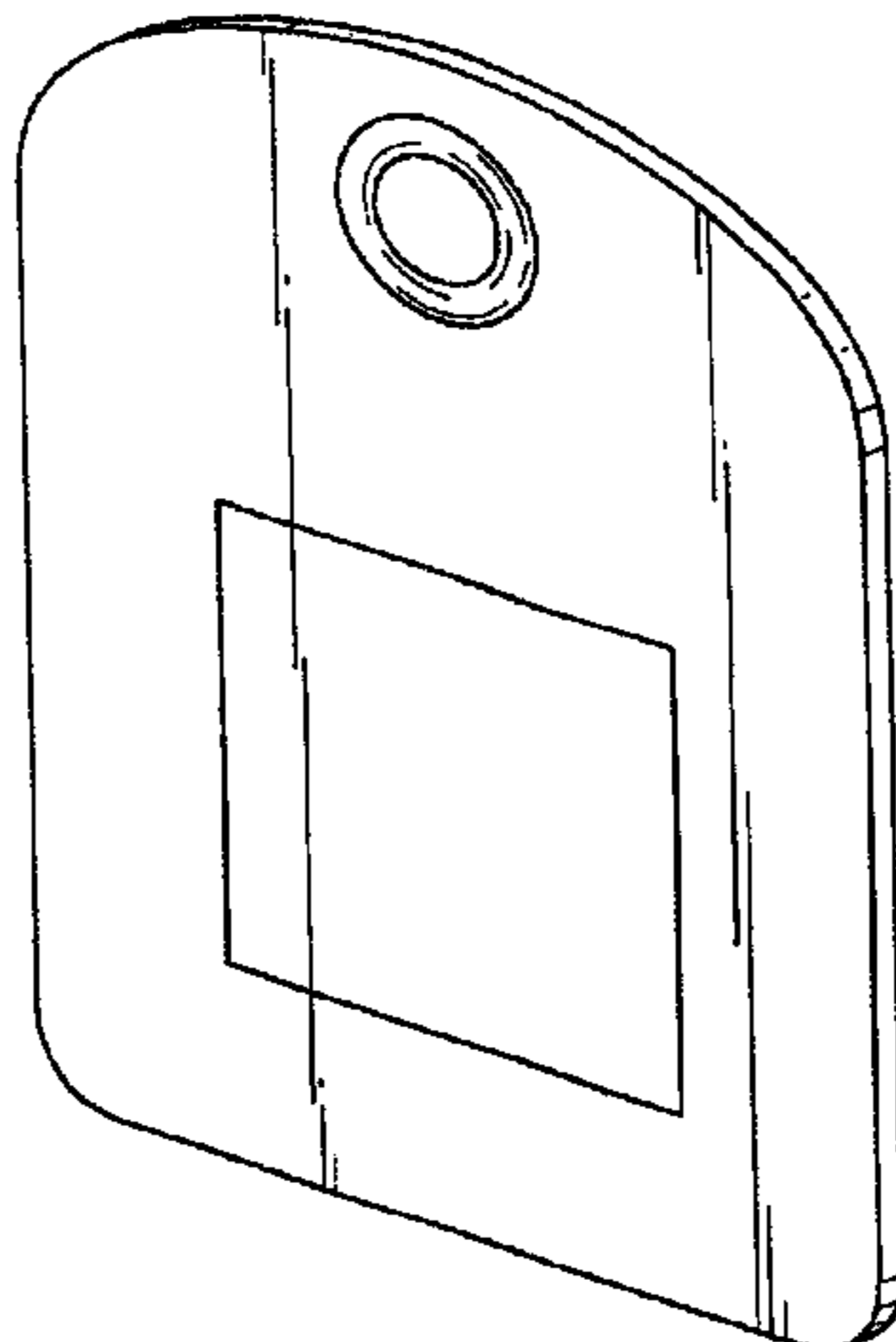
The ornamental design for a payment device, as shown and described.

DESCRIPTION

FIG. 1 is a perspective view of a payment device in accordance with our new design;
FIG. 2 is a front view thereof;
FIG. 3 is a rear view thereof;
FIG. 4 is a side view thereof;
FIG. 5 is another side view thereof;
FIG. 6 is a top view thereof; and,
FIG. 7 is a bottom view thereof.

The broken lines showing environment in the drawings are for illustrative purposes only and form no part of the claimed design.

1 Claim, 2 Drawing Sheets



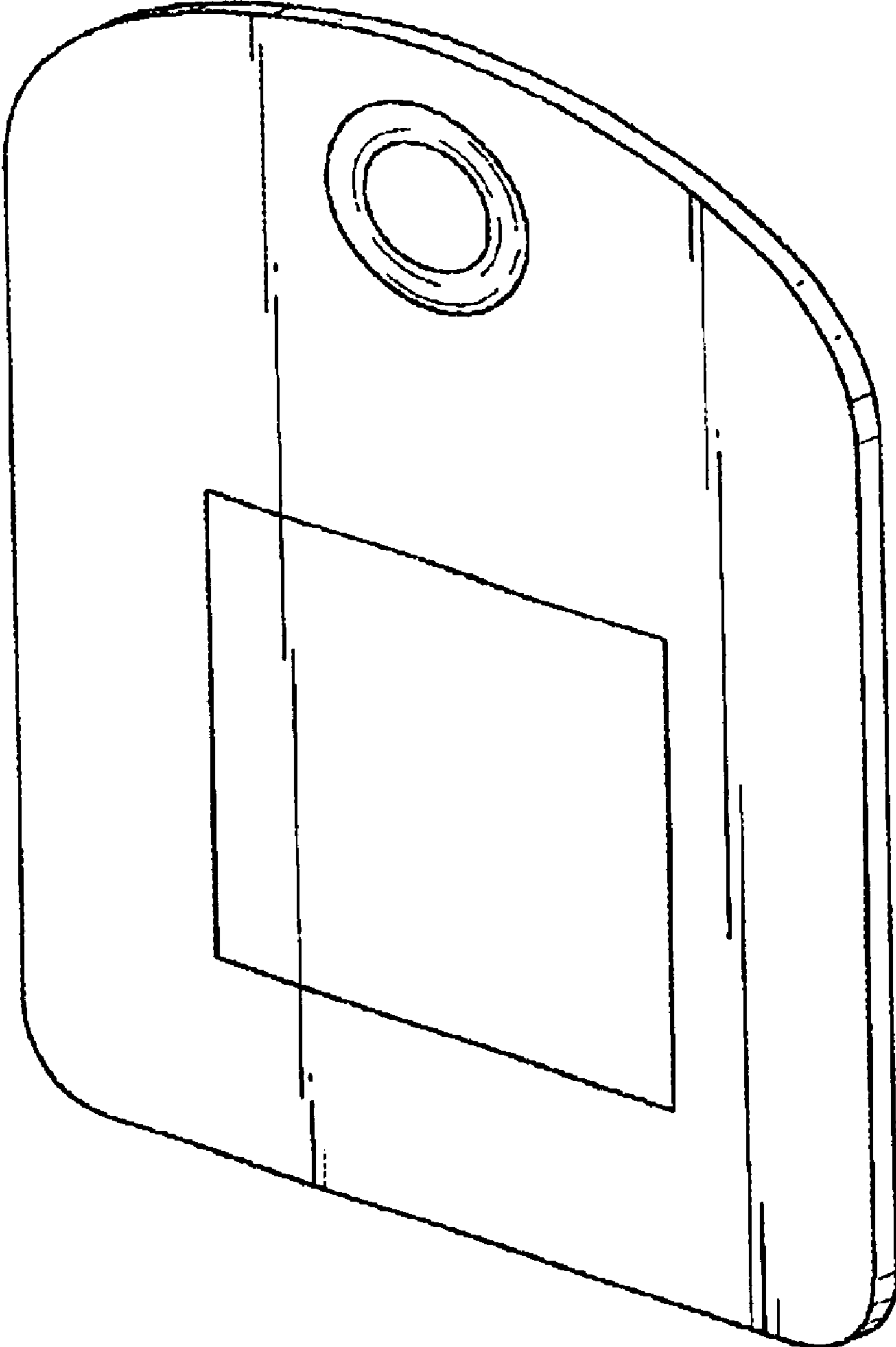


FIG. 1

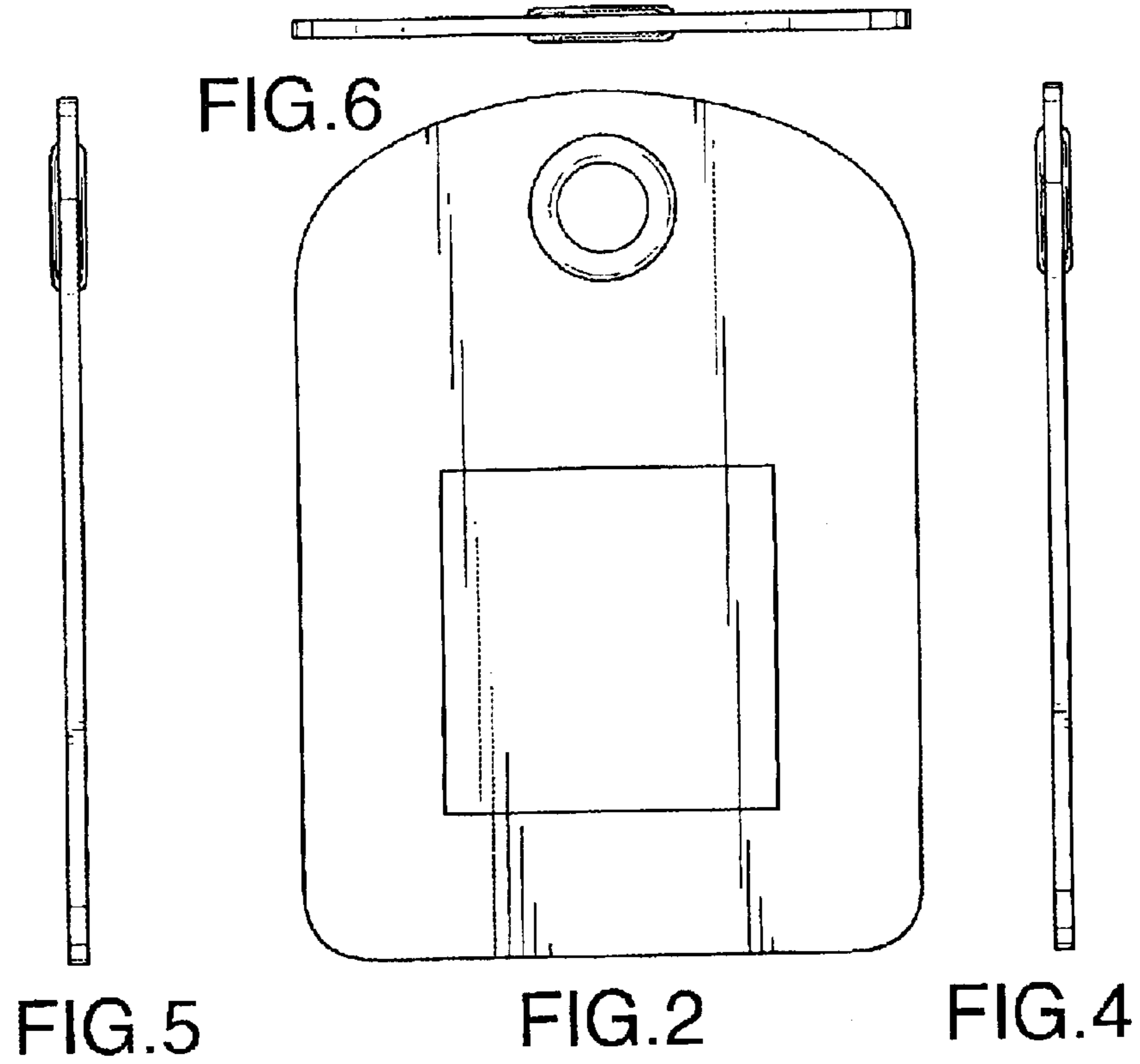


FIG. 5

FIG. 2

FIG. 4

FIG. 3

FIG. 7