



US00D510380S

(12) **United States Design Patent**  
**Adam et al.**

(10) **Patent No.: US D510,380 S**  
(45) **Date of Patent: \*\* Oct. 4, 2005**

(54) **SYNTHESIZER**

(75) Inventors: **Chris Adam**, Norderstedt (DE); **Jan Cordes**, Hamburg (DE); **Steffan Diedrichsen**, Hamburg (DE); **Jan-Hinnerk Helms**, Hamburg (DE); **Sven Junge**, Hamburg (DE); **Henning Rogge**, Hamburg (DE); **Markus Sapp**, Pinnegberg (DE)

D258,214 S	*	2/1981	Kira	.....	D17/5
D258,216 S	*	2/1981	Eventoff	.....	D17/99
D305,772 S	*	1/1990	Kitsuyu	.....	D17/1
D371,790 S	*	7/1996	Takei	.....	D14/217
D375,515 S	*	11/1996	Takeda et al.	.....	D17/99
D387,374 S	*	12/1997	Kawada	.....	D17/22
D401,612 S	*	11/1998	Takei	.....	D17/22
D441,003 S	*	4/2001	Chan	.....	D17/1
D461,837 S	*	8/2002	Chan	.....	D17/1
6,586,666 B2	*	7/2003	Abe	.....	84/477 R

(73) Assignee: **Apple Computer, Inc.**, Cupertino, CA (US)

\* cited by examiner

(\*\*) Term: **14 Years**

*Primary Examiner*—Ruth McInroy

(74) *Attorney, Agent, or Firm*—Blakely, Sokoloff, Taylor & Zafman LLP

(21) Appl. No.: **29/180,964**

(22) Filed: **Apr. 30, 2003**

(57) **CLAIM**

(51) **LOC (8) Cl.** ..... **17-01**

The ornamental design for a synthesizer, as shown and described.

(52) **U.S. Cl.** ..... **D17/1**

(58) **Field of Search** ..... D17/4, 24, 1-2, D17/9, 99, 22; D21/409; 84/659, 660, 661, 692, 735; 345/771; D14/356, 388

**DESCRIPTION**

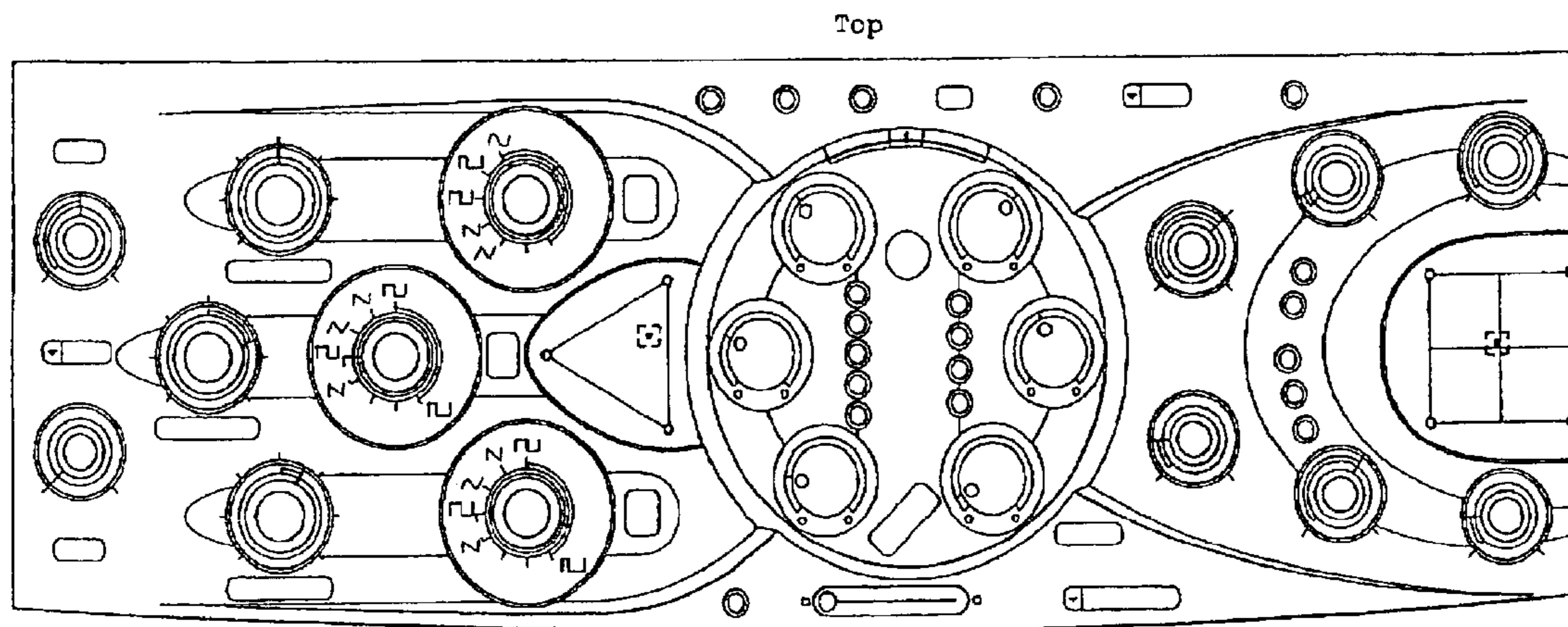
FIG. 1 is a top plan view of a synthesizer showing our new design.

(56) **References Cited**

**U.S. PATENT DOCUMENTS**

D258,068 S \* 1/1981 Ostrom ..... D17/5

**1 Claim, 1 Drawing Sheet**



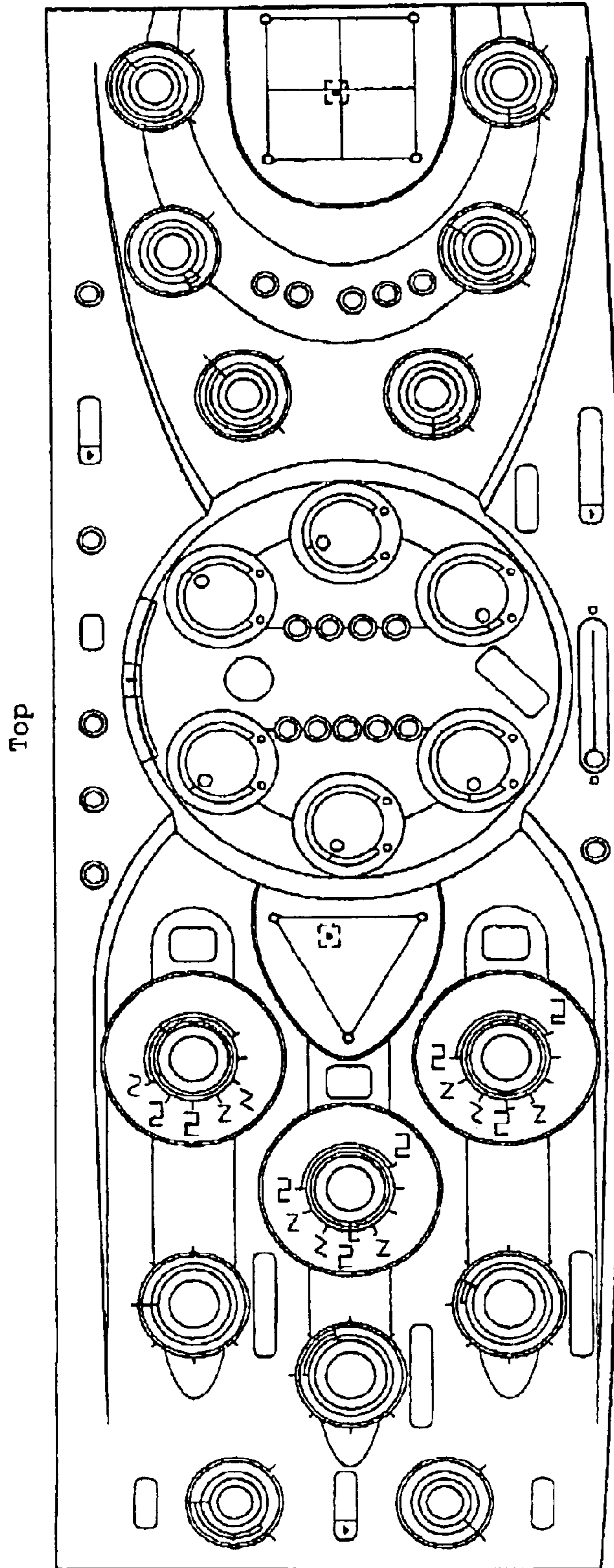


FIGURE 1