



US00D510374S

(12) **United States Design Patent**
Greenwood et al.

(10) **Patent No.:** **US D510,374 S**
(45) **Date of Patent:** **** Oct. 4, 2005**

(54) **CAMERA HOUSING WITH CAMERA**

(75) Inventors: **John Greenwood**, Spring, TX (US);
Gabriel Velasquez, Houston, TX (US)

(73) Assignee: **Tedsi Infrastructure Group, Inc.**,
Houston, TX (US)

(**) Term: **14 Years**

(21) Appl. No.: **29/199,380**

(22) Filed: **Feb. 13, 2004**

(51) **LOC (8) Cl.** **16-01**

(52) **U.S. Cl.** **D16/203**

(58) **Field of Search** D16/200–205,
D16/208, 218, 242; 348/143, 151, 373–376;
358/906; 396/419, 427, 535–541

(56) **References Cited**

U.S. PATENT DOCUMENTS

D378,095 S	*	2/1997	Hasegawa	D16/203
D382,287 S	*	8/1997	Palmer	D16/242
D392,300 S	*	3/1998	Chow et al.	D16/203
5,966,176 A	*	10/1999	Chow et al.	348/373
D438,227 S	*	2/2001	Grotto	D16/203
D481,407 S	*	10/2003	Alessio	D16/203
D497,928 S	*	11/2004	Cheng-Yuan	D16/203

* cited by examiner

Primary Examiner—Adir Aronovich

(74) *Attorney, Agent, or Firm*—Moser, Patterson & Sheridan

(57) **CLAIM**

The ornamental design for a camera housing with camera, as shown and described.

DESCRIPTION

FIG. 1 is a perspective view of a camera housing with camera embodying our new design;

FIG. 2 is a top view of the camera housing of FIG. 1.

FIG. 3 is a bottom view of the camera housing of FIG. 1.

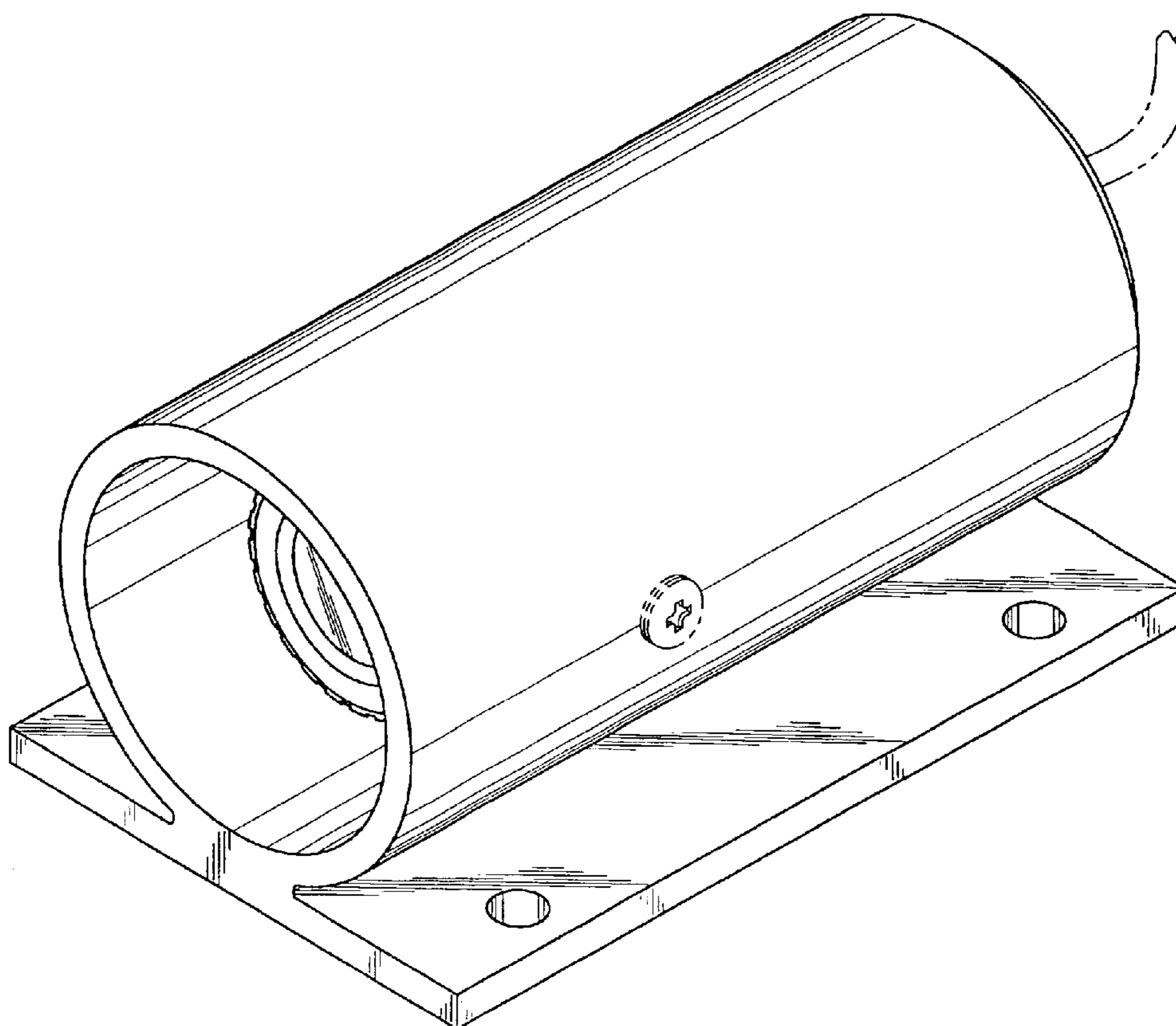
FIG. 4 is a side elevation view of the camera housing of FIG. 1, the other side not shown being a mirror image of the side shown in this view.

FIG. 5 is a rear view of the hangtag of FIG. 1; and,

FIG. 6 is a front elevation view of the camera housing of FIG. 1.

The broken lines showing the outline of the attachment screw, cable, and cable coupling in FIGS. 1–6 are for illustrative purposes only, and form no part of the claimed design.

1 Claim, 3 Drawing Sheets



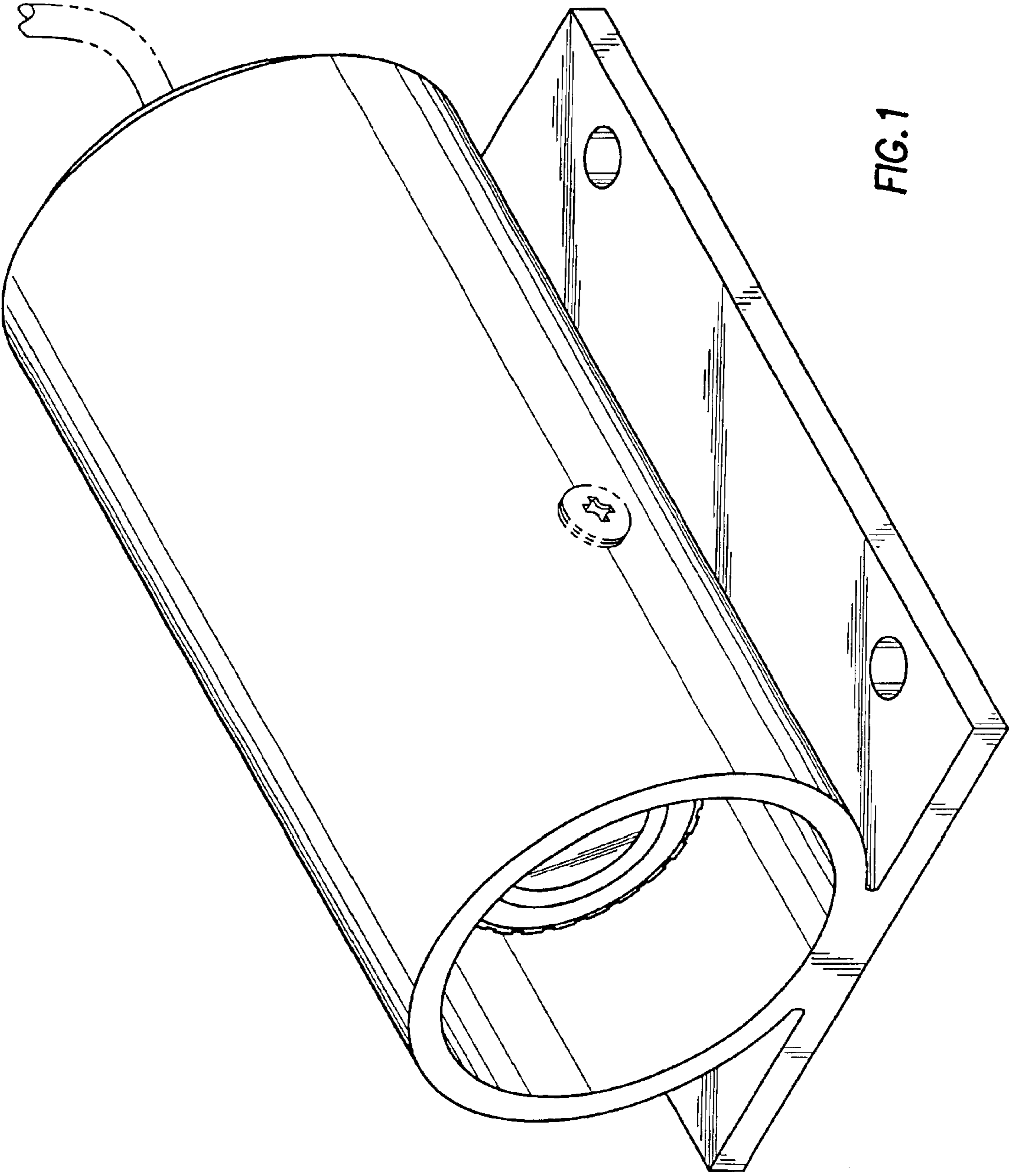


FIG. 1

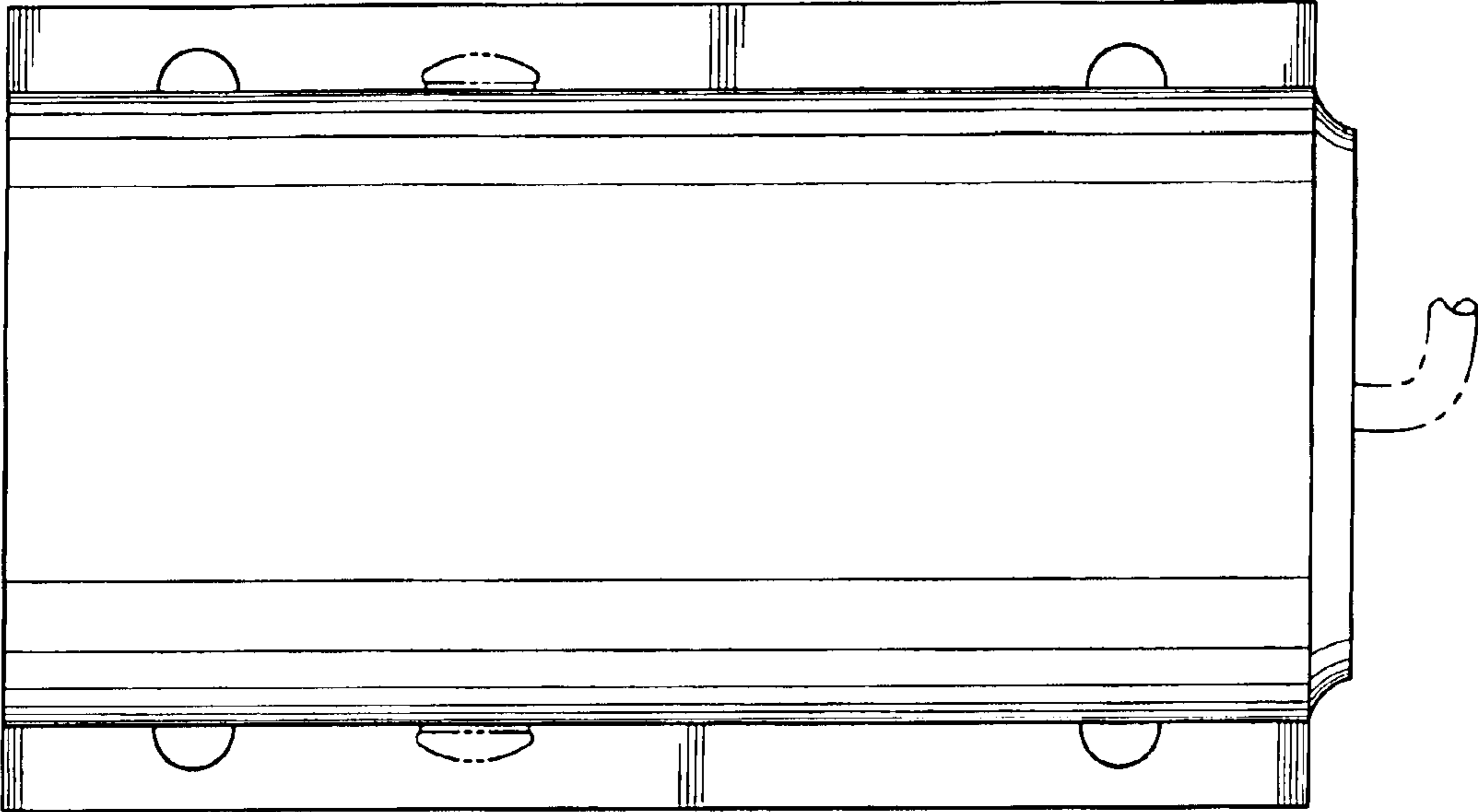


FIG. 2

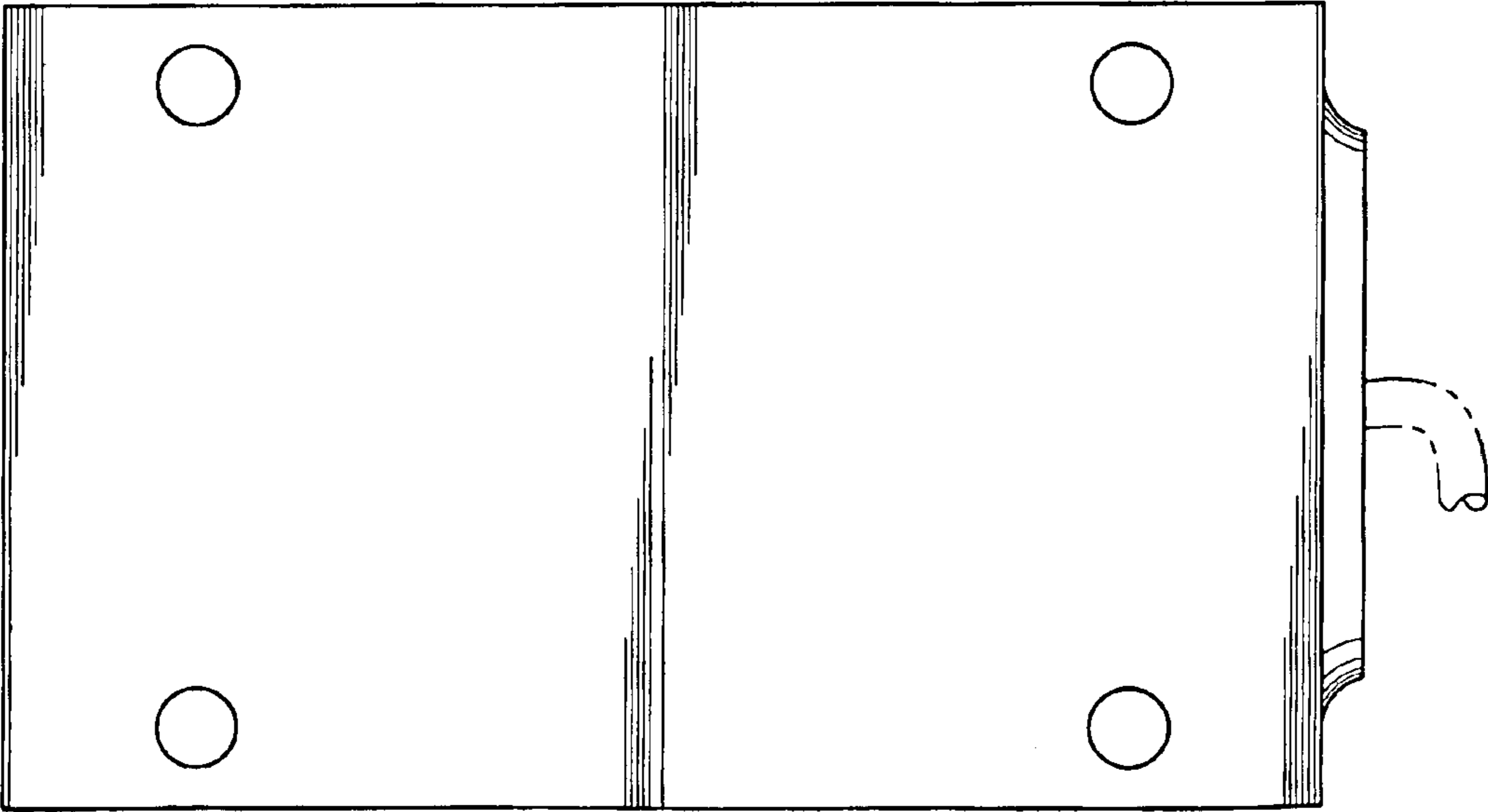


FIG. 3

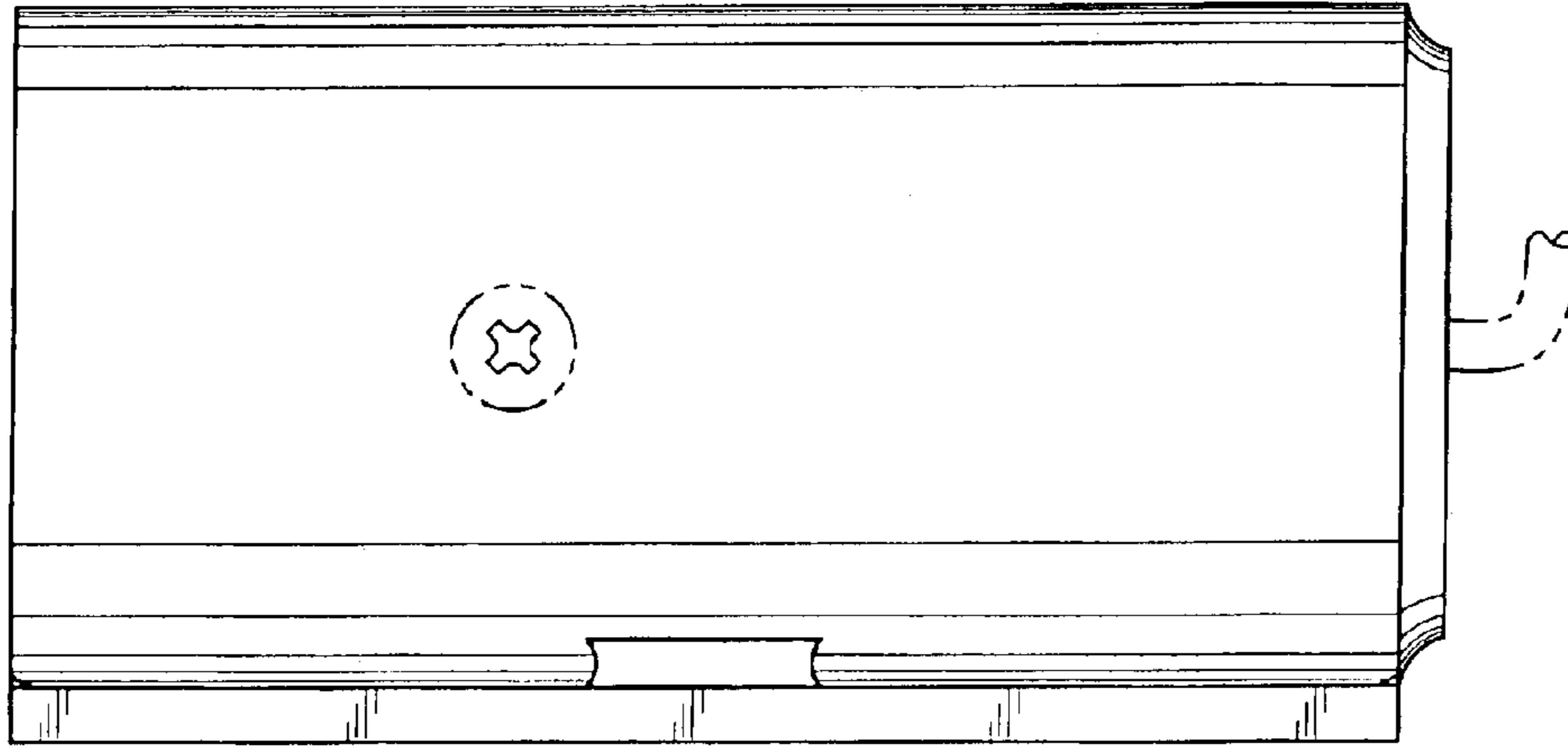


FIG. 4

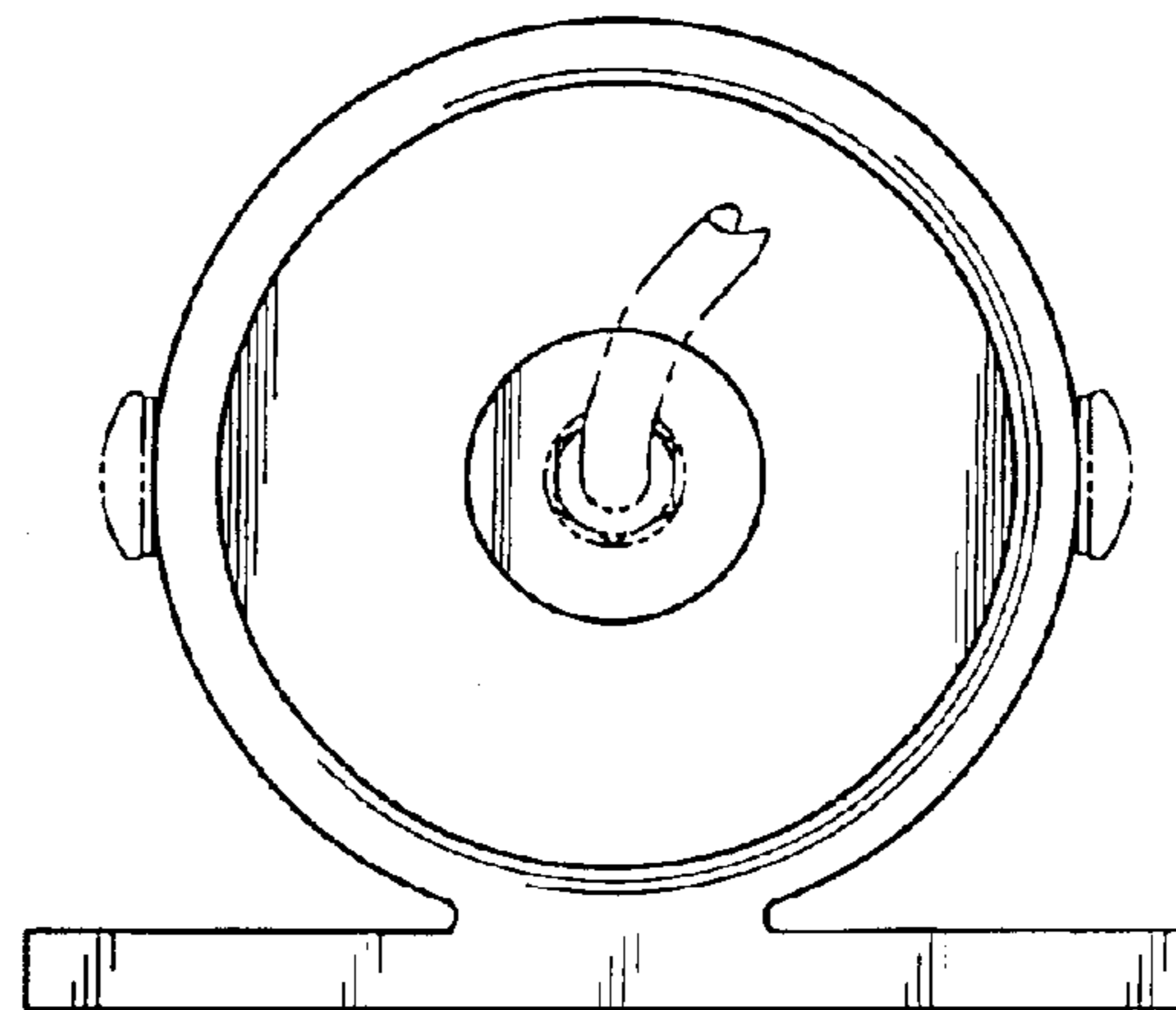


FIG. 5

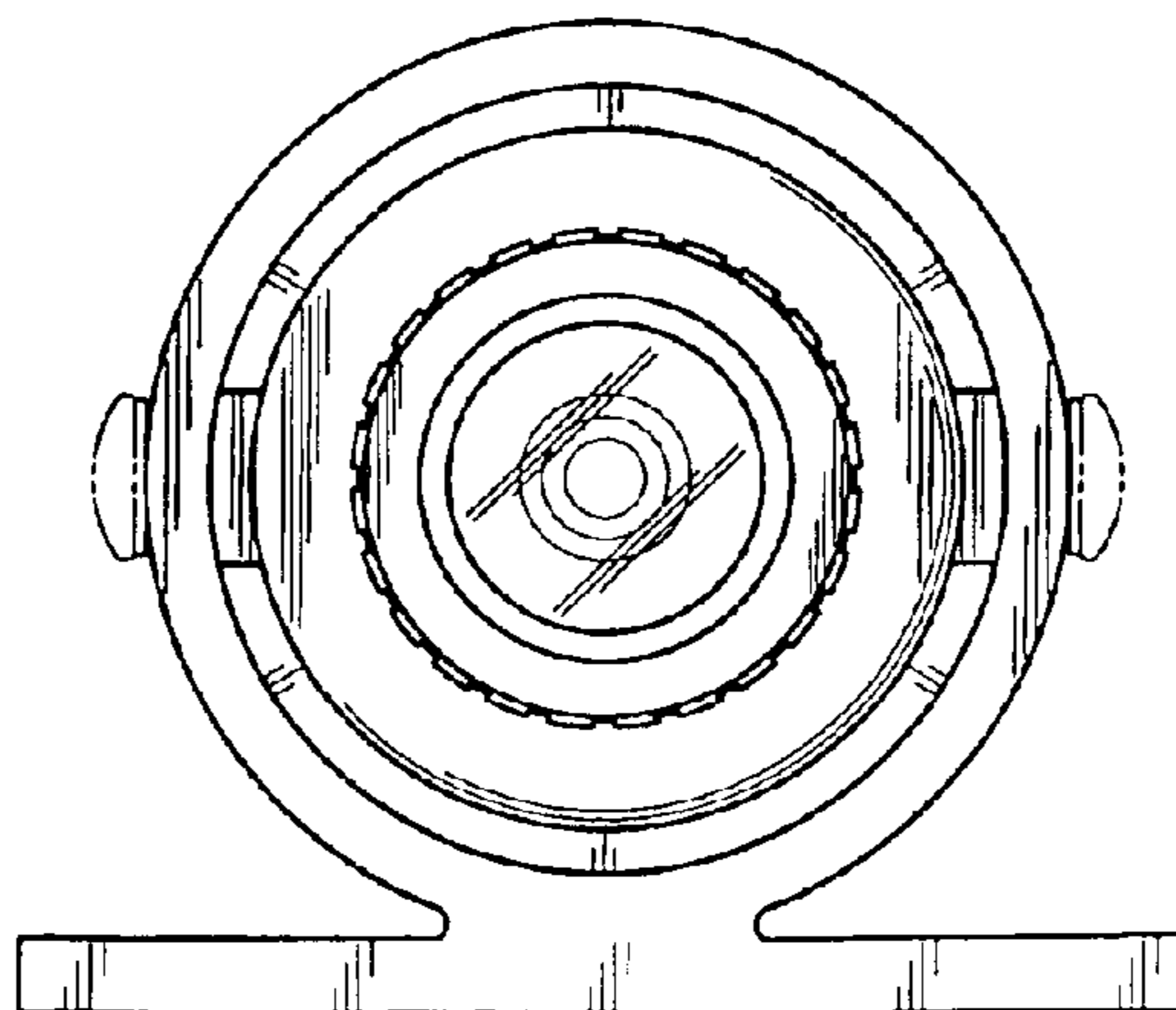


FIG. 6

UNITED STATES PATENT AND TRADEMARK OFFICE
CERTIFICATE OF CORRECTION

PATENT NO. : Des. 510,374 S
APPLICATION NO. : 29/199380
DATED : October 4, 2005
INVENTOR(S) : John Greenwood and Gabriel Velasquez

Page 1 of 1

It is certified that error appears in the above-identified patent and that said Letters Patent is hereby corrected as shown below:

On the front page:

In Section (54), Title, please delete [WITH CAMERA] after "HOUSING".

In Section (73), Assignee, please replace [Tedsj] with --TEDSI--.

In Section (56), References Cited, please insert U.S. Patent Documents

D481,406	D383,769
D477,345	D376,146
D473,888	D365,834
D473,887	D367,283
D461,485	D340,940
D453,177	D311,924
D439,591	D309,304
D435,577	D307,915
D435,576	D307,759
D428,618	D306,306
D426,250	D306,305
D424,087	D303,675
D416,569	D275,294
D416,032	D273,012
D405,456	D265,829
D400,225	D255,362
D394,869	D248,305
D391,977	D377,940
D384,965	

Signed and Sealed this

Twelfth Day of September, 2006



JON W. DUDAS

Director of the United States Patent and Trademark Office