

US00D510372S

(12) **United States Design Patent**  
**Yeung**

(10) **Patent No.:** **US D510,372 S**

(45) **Date of Patent:** **\*\* Oct. 4, 2005**

(54) **TELESCOPE**

(75) **Inventor:** **Wa-Sang Yeung, Kowloon (HK)**

(73) **Assignee:** **Eastcolight (Hong Kong) Limited,**  
**Kowloon (HK)**

(\*\*) **Term:** **14 Years**

(21) **Appl. No.:** **29/210,603**

(22) **Filed:** **Aug. 3, 2004**

(51) **LOC (8) Cl.** ..... **16-06**

(52) **U.S. Cl.** ..... **D16/132**

(58) **Field of Search** ..... **D16/130-136,**  
**D16/208, 211, 218, 219; 359/373, 407,**  
**408, 416, 421, 673, 694, 823; 396/429,**  
**432, 535-541; D21/483, 403**

(56) **References Cited**

**U.S. PATENT DOCUMENTS**

D98,185 S \* 1/1936 Reynolds ..... D16/133  
2,882,791 A \* 4/1959 Moller et al. .... 359/363  
D310,230 S \* 8/1990 Huston ..... D16/130

5,000,556 A \* 3/1991 Katsuma ..... 359/407  
D401,978 S \* 12/1998 Wong ..... D21/483  
6,266,185 B1 \* 7/2001 Miller et al. .... 359/407  
D488,178 S \* 4/2004 Huang ..... D16/218  
D499,436 S \* 12/2004 Burr ..... D16/133

\* cited by examiner

*Primary Examiner*—Paula A. Greene

(74) *Attorney, Agent, or Firm*—Alix, Yale & Ristas, LLP

(57) **CLAIM**

The ornamental design for a telescope, as shown and described.

**DESCRIPTION**

FIG. 1 is a front elevational view of a telescope showing my new design;

FIG. 2 is a top plan view thereof;

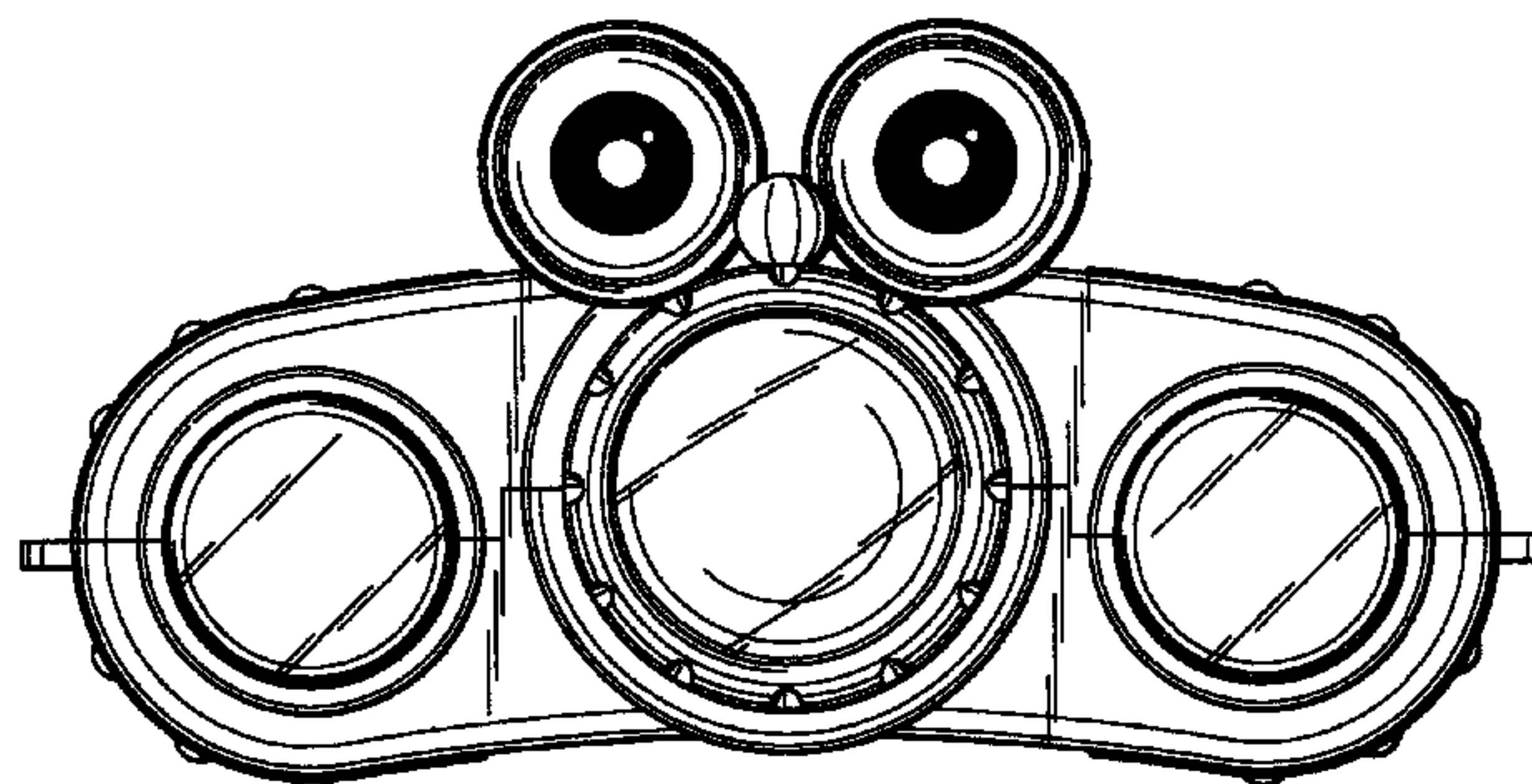
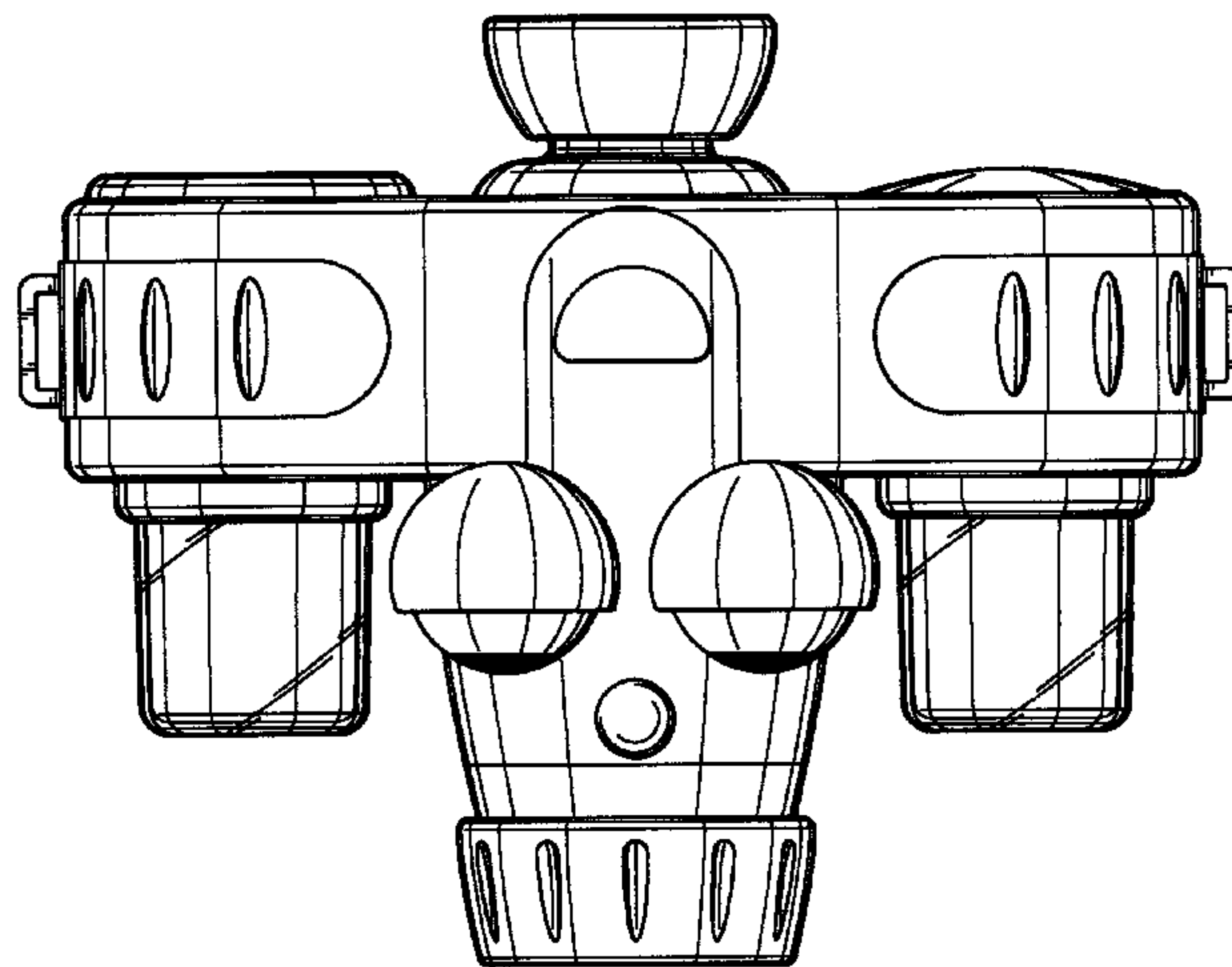
FIG. 3 is a left side elevational view thereof;

FIG. 4 is a right side elevational view thereof;

FIG. 5 is a rear elevational view thereof; and,

FIG. 6 is a bottom plan view thereof.

**1 Claim, 3 Drawing Sheets**



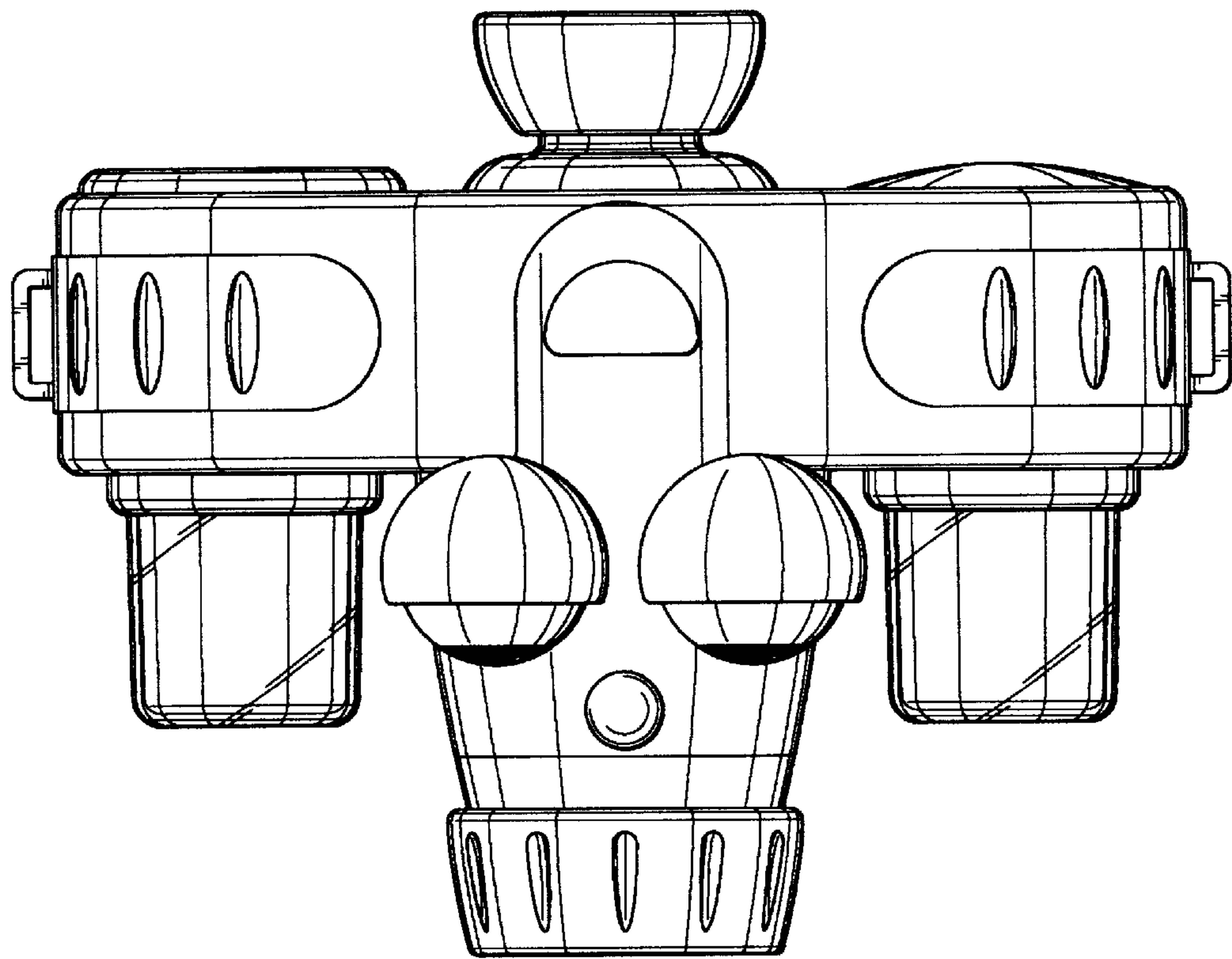


FIG. 2

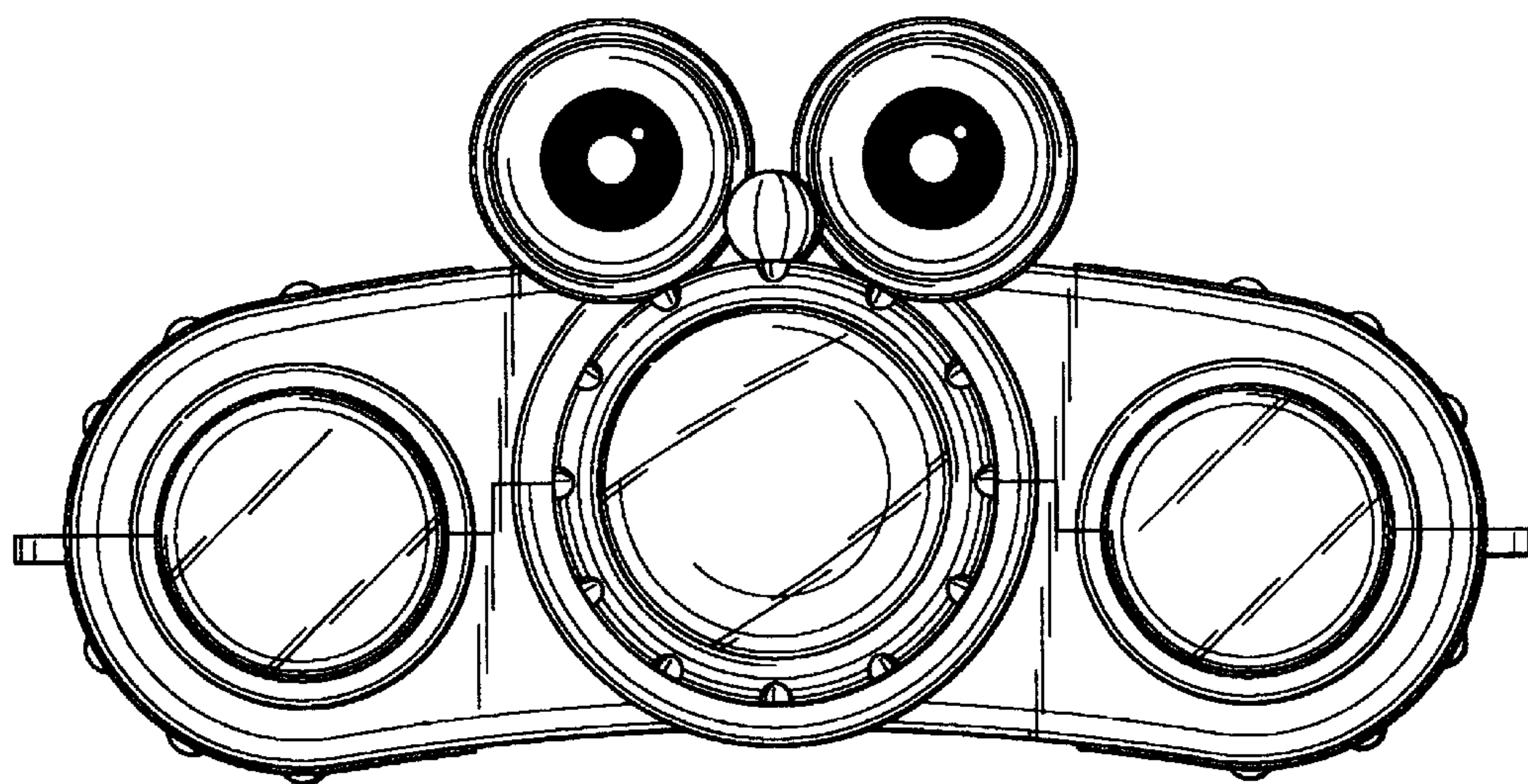


FIG. 1

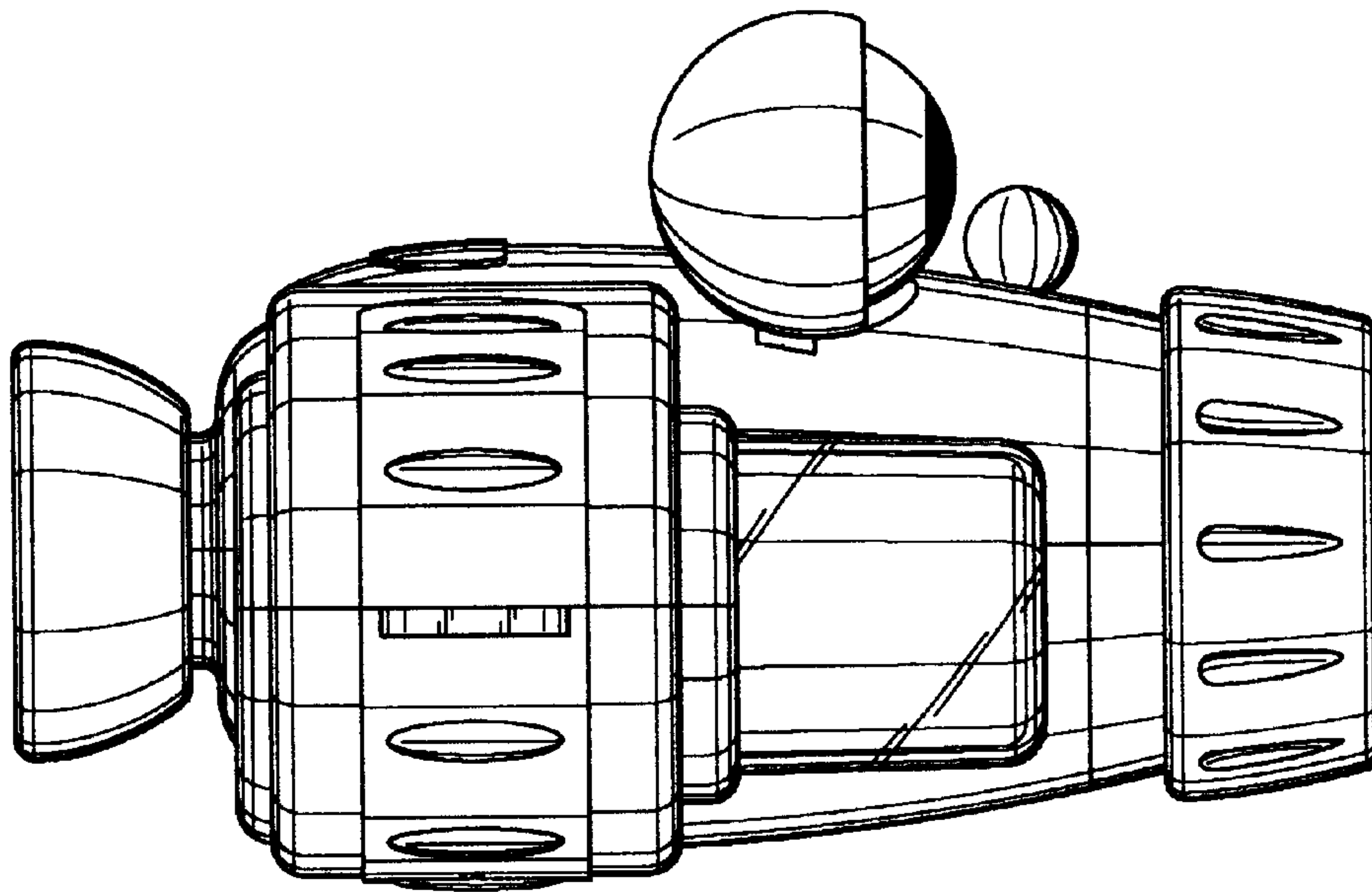


FIG. 3

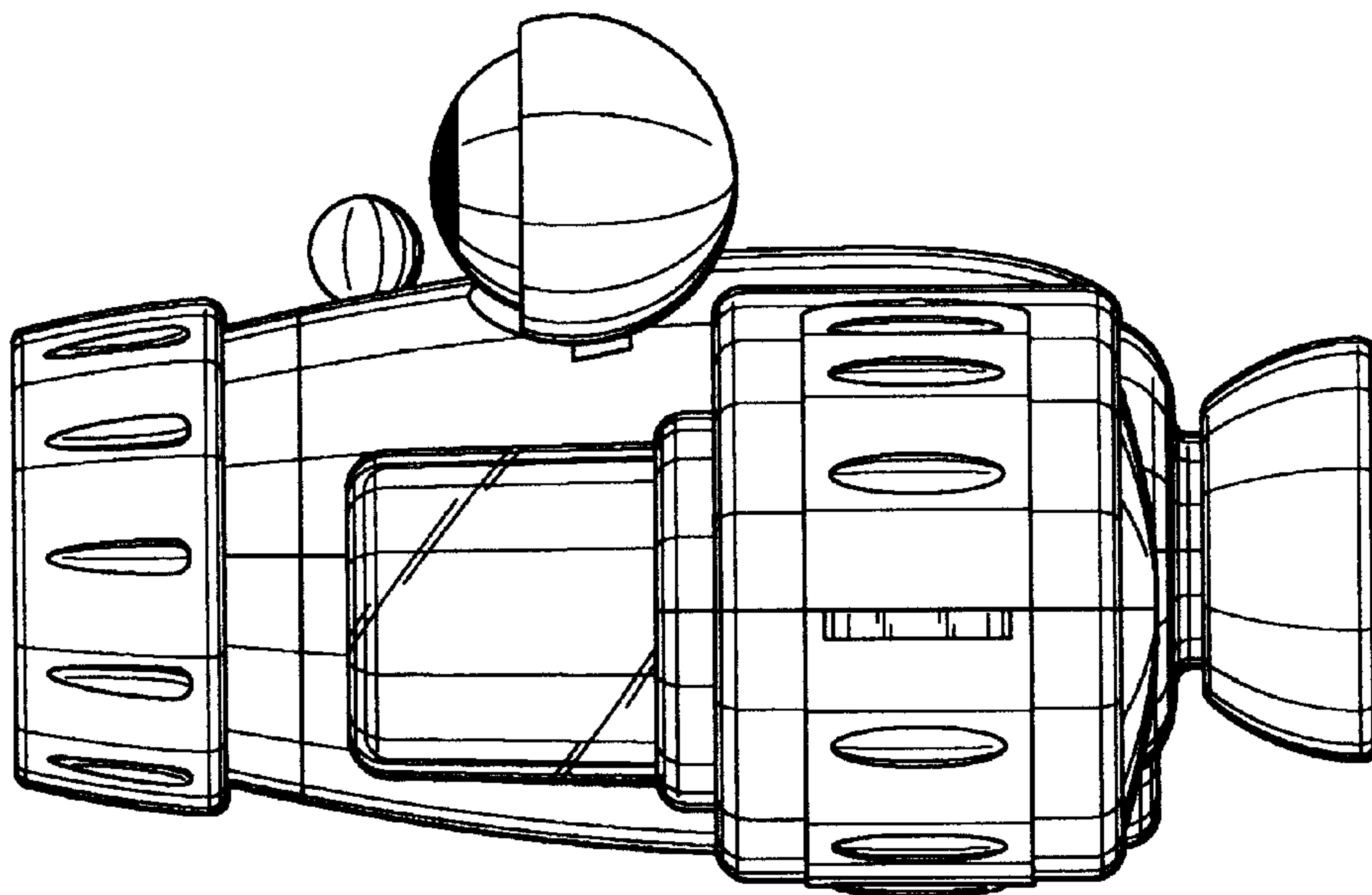


FIG. 4



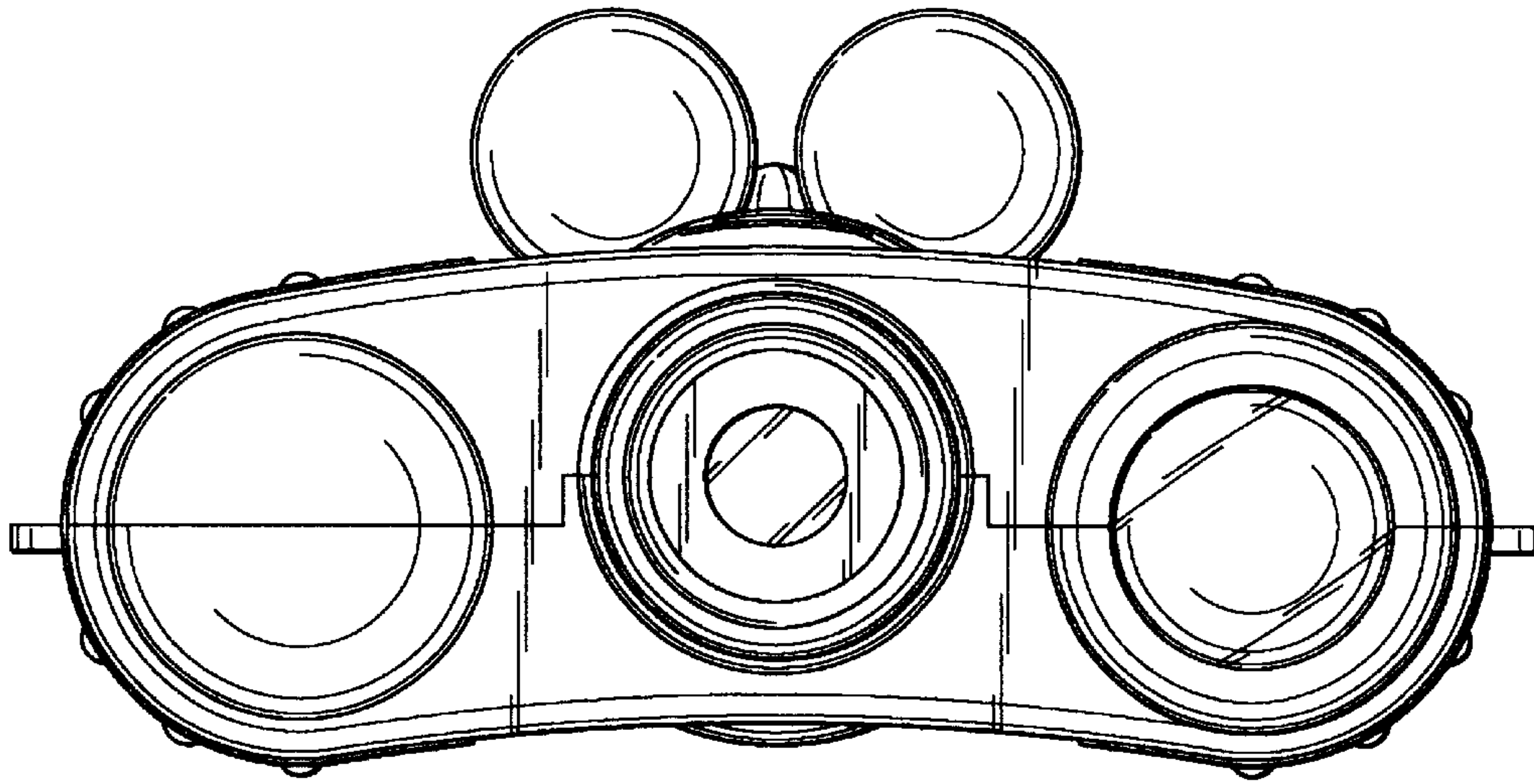


FIG. 5

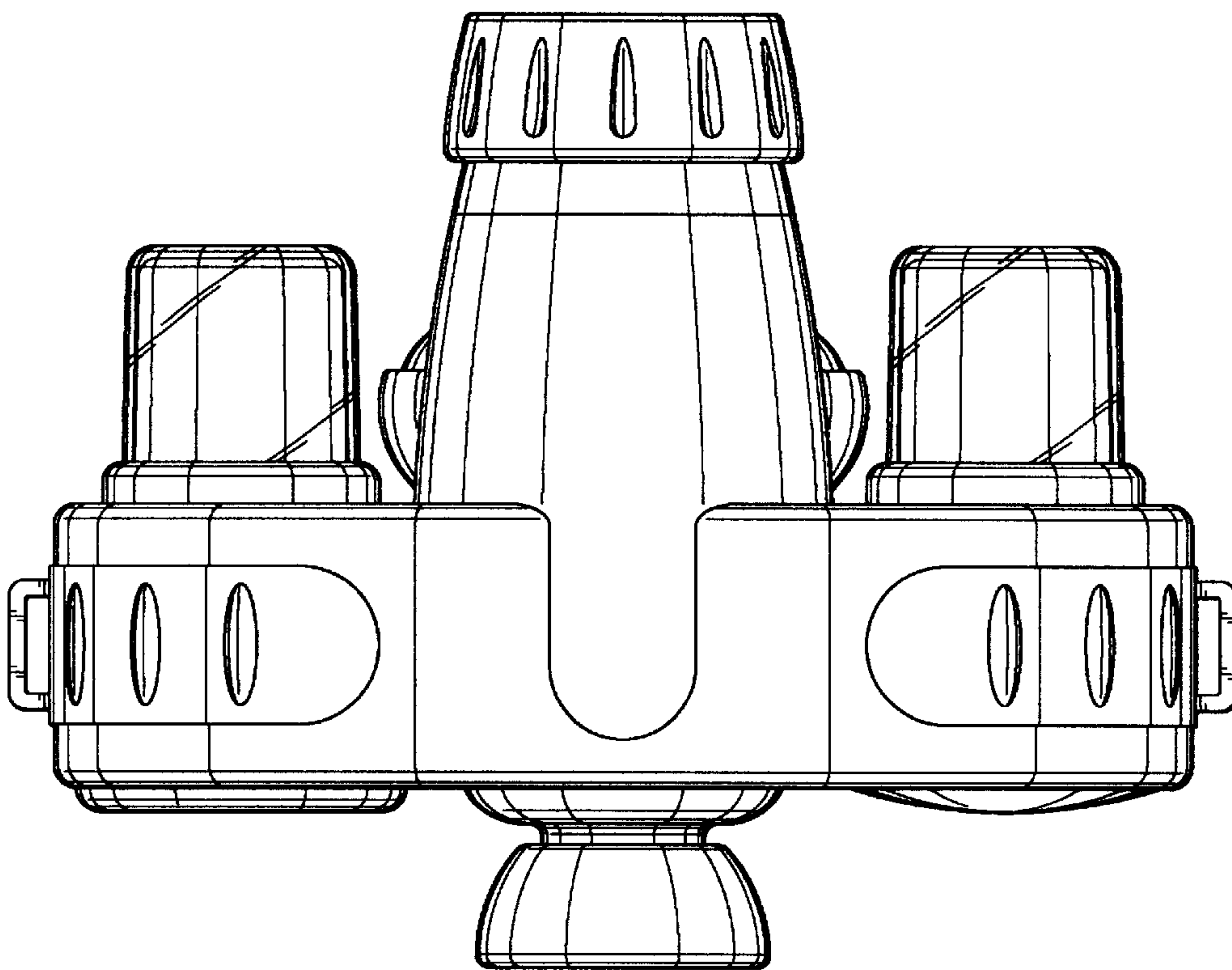


FIG. 6