



US00D510371S

(12) **United States Design Patent**
Tigerholm

(10) **Patent No.:** **US D510,371 S**

(45) **Date of Patent:** **** Oct. 4, 2005**

(54) **OIL DEAERATION DEVICE**

(75) **Inventor:** **Lars Tigerholm, Stockholm (SE)**

(73) **Assignee:** **Tigerholm Innovation AB, Ekero (SE)**

(**) **Term:** **14 Years**

(21) **Appl. No.:** **29/189,682**

(22) **Filed:** **Sep. 10, 2003**

(30) **Foreign Application Priority Data**

Mar. 21, 2003 (SE) 03-0403

(51) **LOC (8) Cl.** **15-09**

(52) **U.S. Cl.** **D15/150**

(58) **Field of Search** D15/150-152;
96/161, 205, 207, 210; 137/188, 202, 574,
43, 576; 184/6.23

Primary Examiner—Antoine D. Davis
(74) Attorney, Agent, or Firm—Young & Thompson

(57) **CLAIM**

The ornamental design for an oil deaeration device, as shown and described.

DESCRIPTION

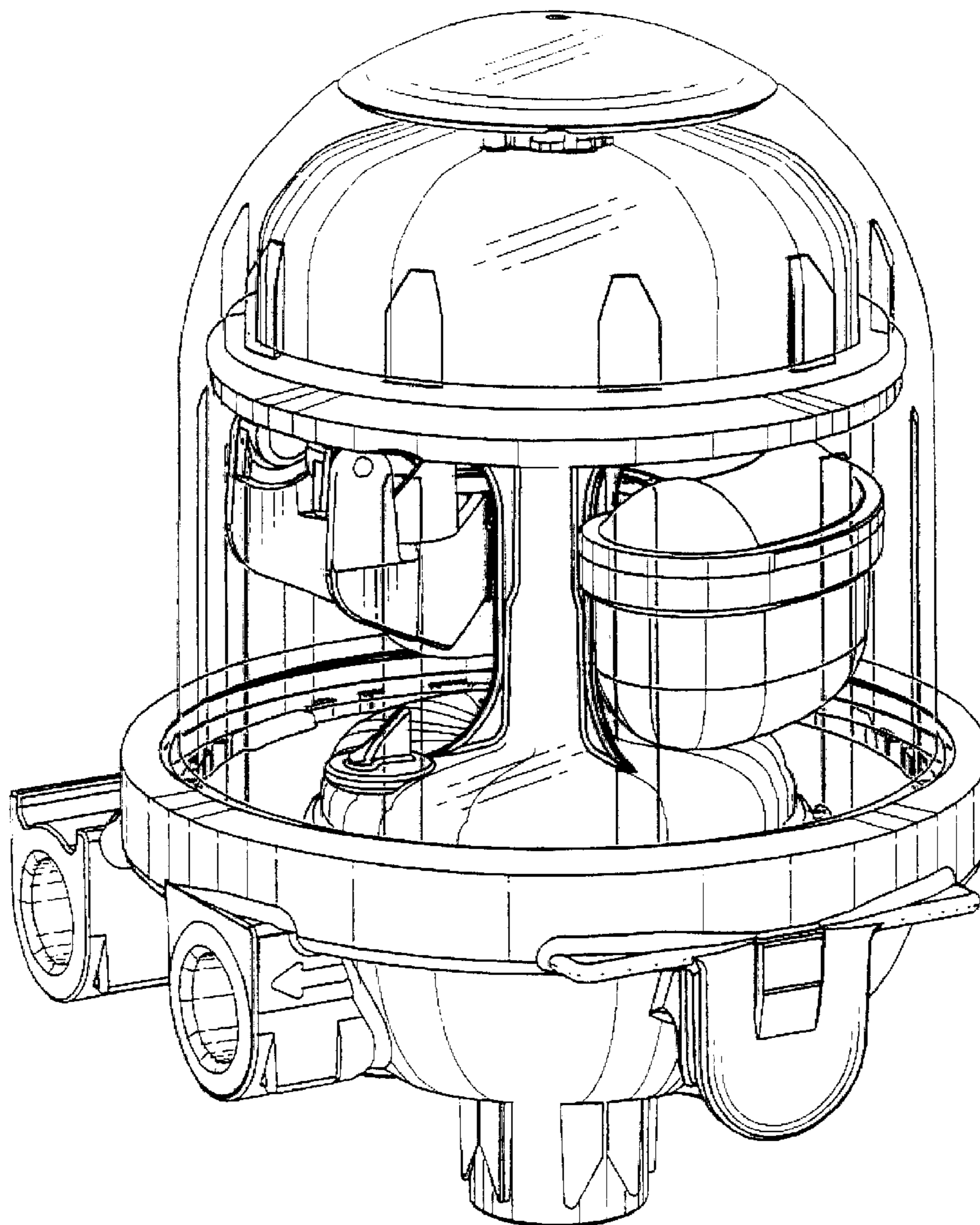
FIG. 1 is a top, front and side perspective view of an oil deaeration device showing my new design;

FIG. 2 is a bottom and side perspective view thereof;

FIG. 3 is a view similar to FIG. 2 but with the device rotated clockwise as seen from above; and,

FIG. 4 is a view similar to FIG. 1 but with the device rotated counterclockwise as seen from above.

1 Claim, 4 Drawing Sheets



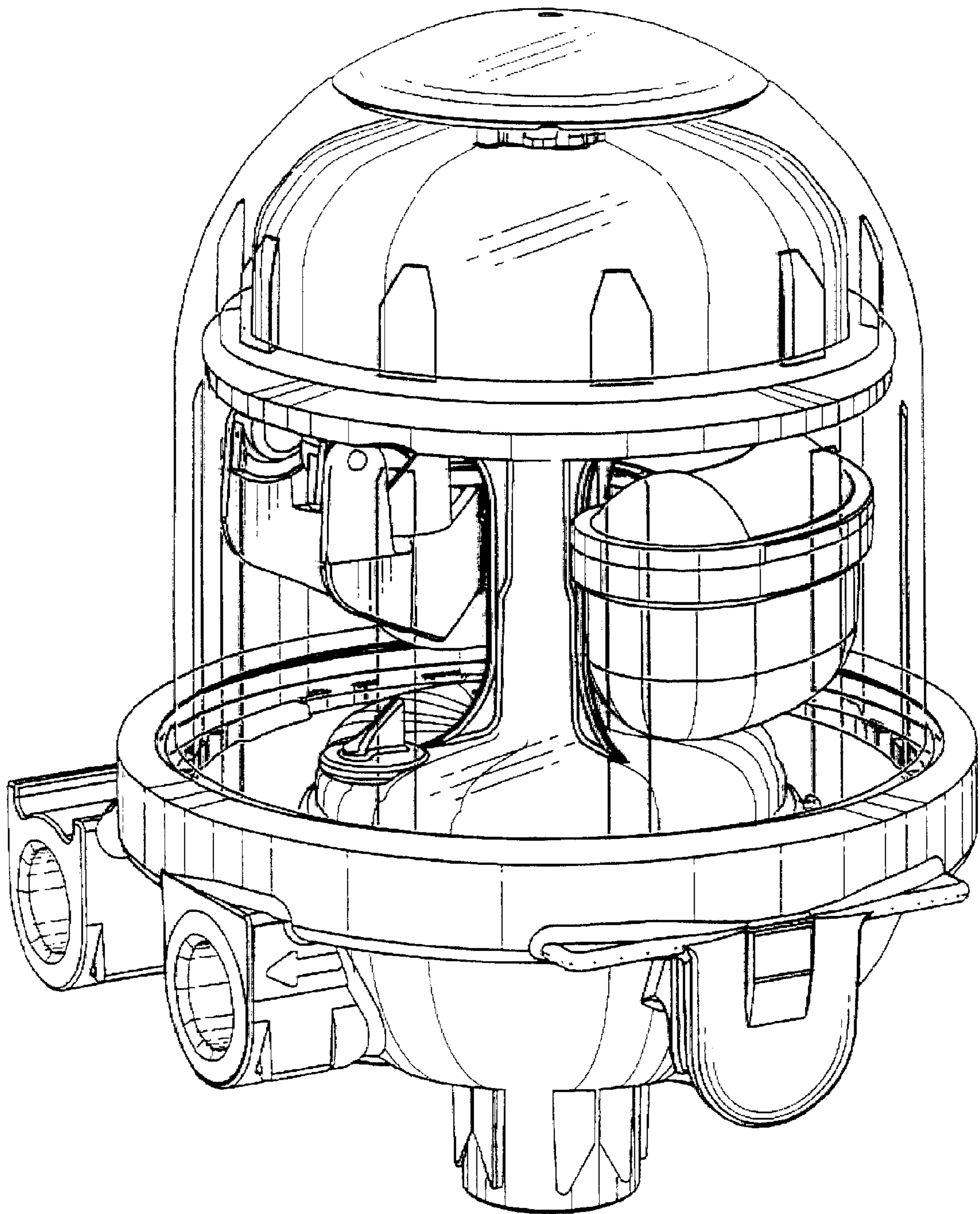


FIG. 1

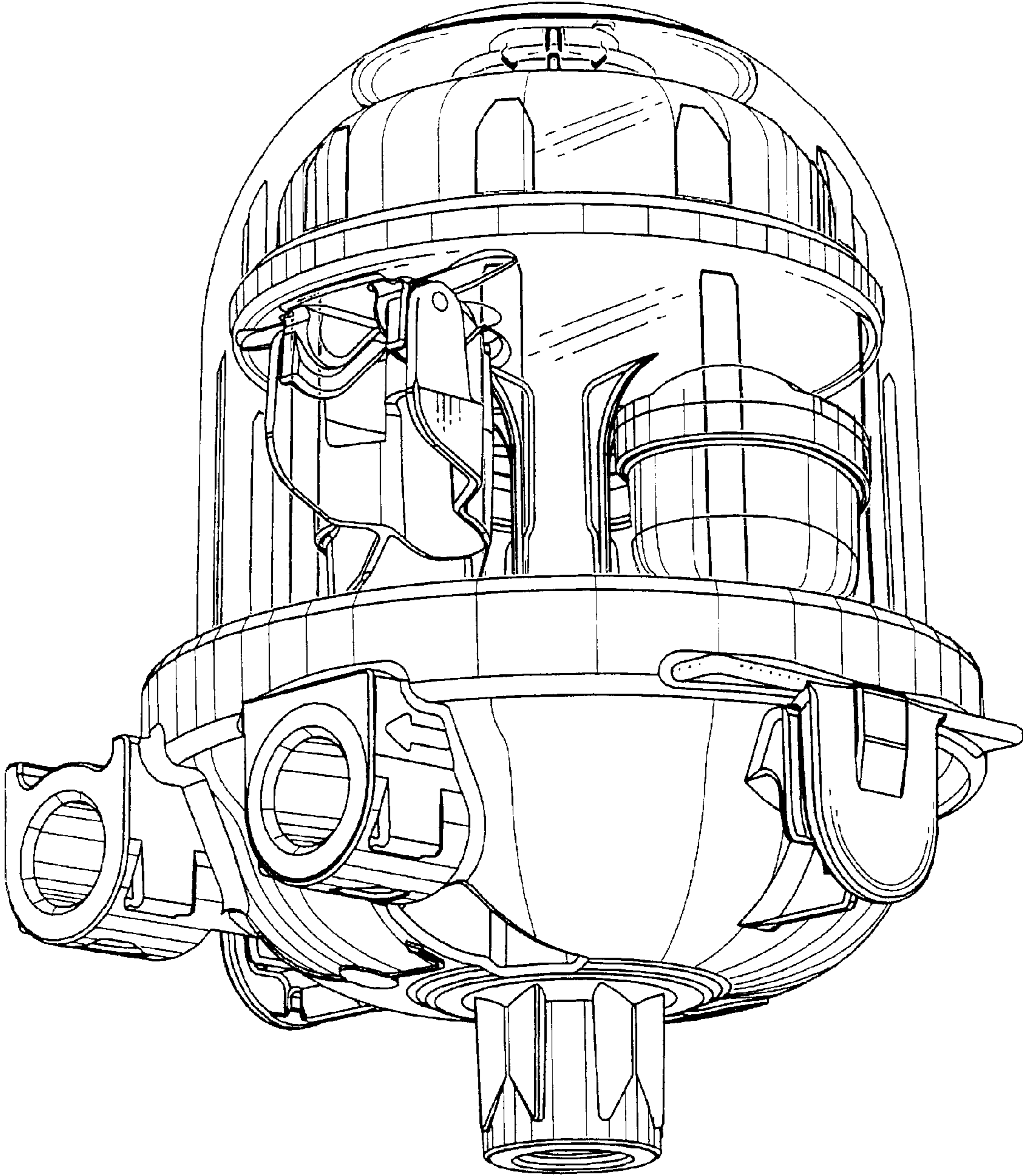


FIG. 2

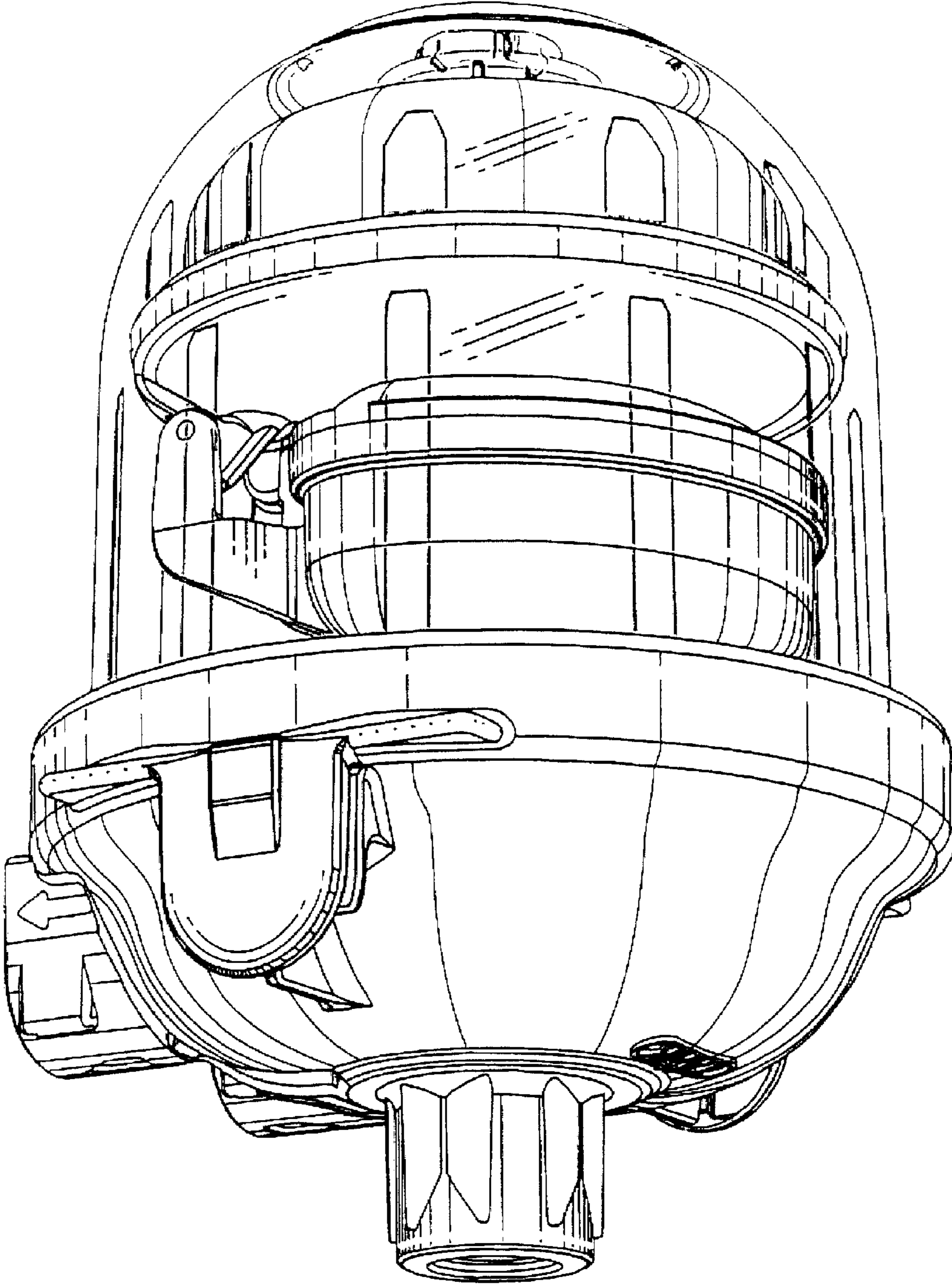


FIG. 3

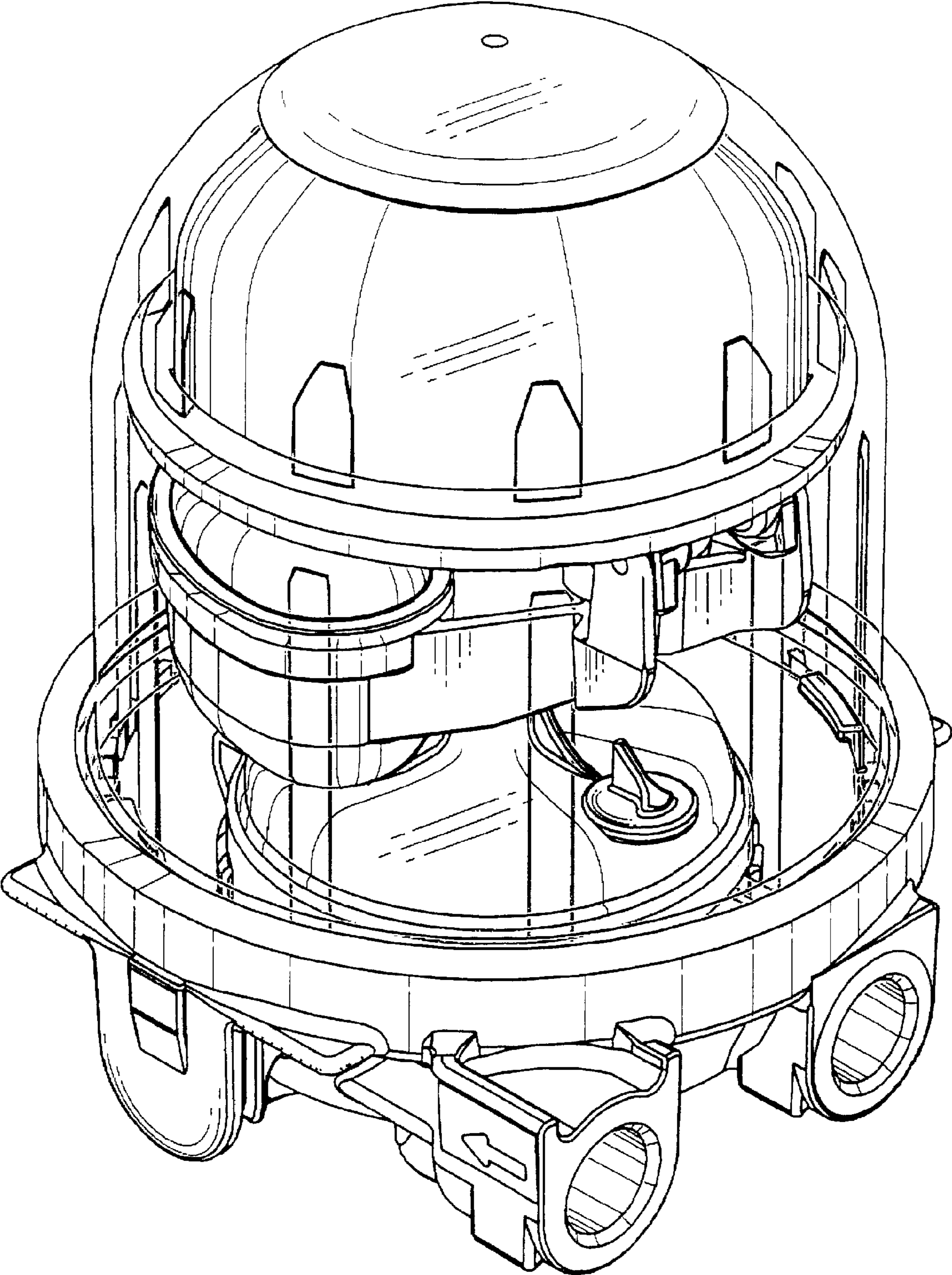


FIG. 4