



US00D510370S

(12) **United States Design Patent** (10) **Patent No.:** **US D510,370 S**
Bertani (45) **Date of Patent:** **** Oct. 4, 2005**

(54) **BREATHER PLUG**
(75) Inventor: **Alberto Bertani**, Milan (IT)
(73) Assignee: **Elesa, S.p.A.**, Milan (IT)
(**) Term: **14 Years**

Primary Examiner—Lisa Lichtenstein
(74) *Attorney, Agent, or Firm*—Pearne & Gordon LLP

(57) **CLAIM**

The ornamental design for a breather plug, as shown and described.

DESCRIPTION

FIG. 1 is a first perspective view of my new design for a breather plug;
FIG. 2 is a second perspective view thereof;
FIG. 3 is a front view of FIG. 1;
FIG. 4 is a top view of FIG. 1;
FIG. 5 is a right side view of FIG. 1;
FIG. 6 is a bottom view of FIG. 1;
FIG. 7 is a left side view of FIG. 1; and,
FIG. 8 is a back view of FIG. 1.
The broken lines shown in FIGS. 1–3 and 5–8 represent environmental structure and form no part of the claimed design.

(21) Appl. No.: **29/177,755**
(22) Filed: **Mar. 14, 2003**
(51) **LOC (8) Cl.** **15-09**
(52) **U.S. Cl.** **D15/150**
(58) **Field of Search** **D15/150; 137/197,**
137/587, 845

(56) **References Cited**

U.S. PATENT DOCUMENTS

3,916,724 A * 11/1975 Muller et al. 74/606 R
4,351,203 A * 9/1982 Fukunaga 74/606 R
4,794,942 A * 1/1989 Yasuda et al. 137/197

* cited by examiner

1 Claim, 3 Drawing Sheets

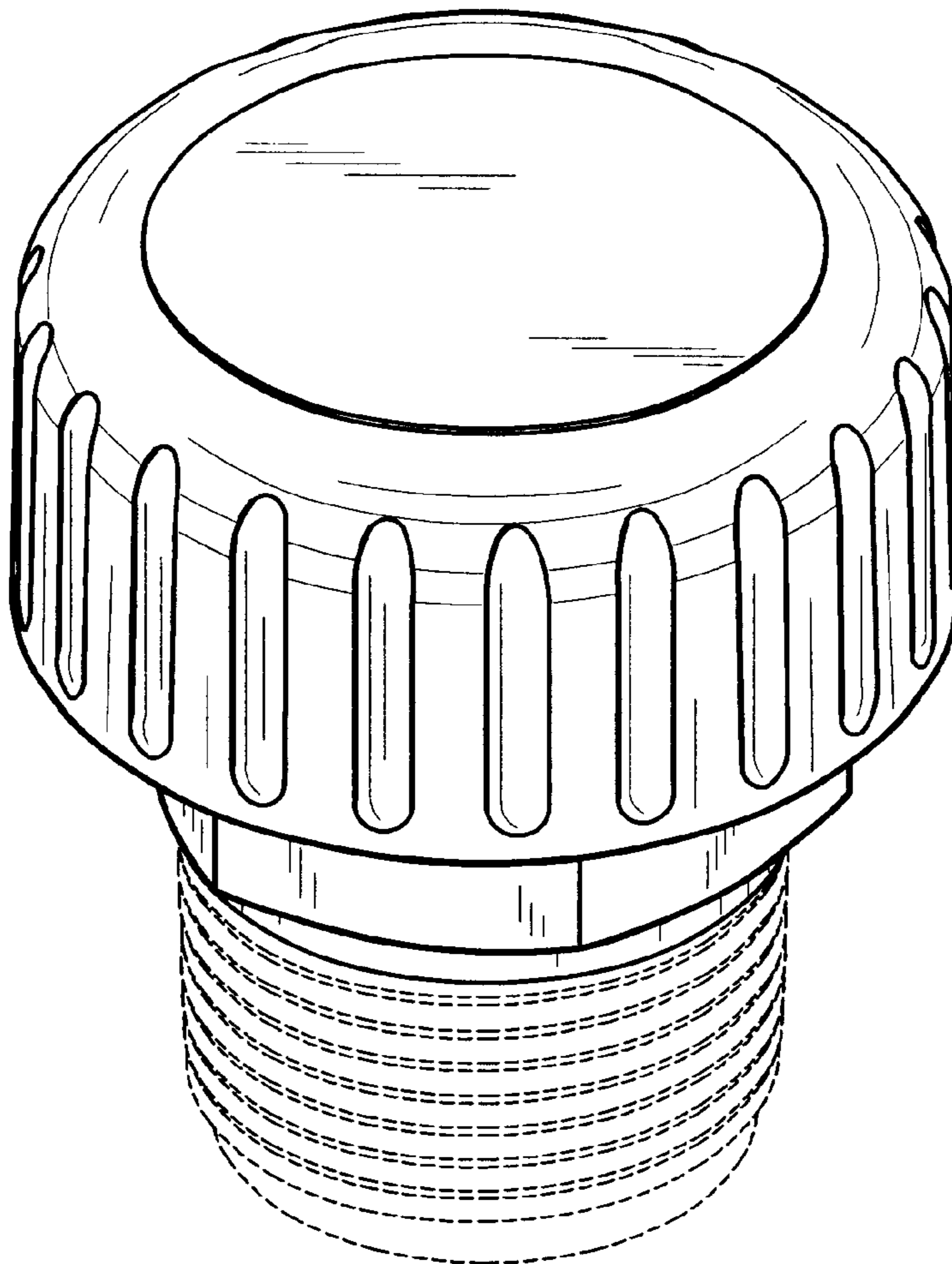


FIG. 1

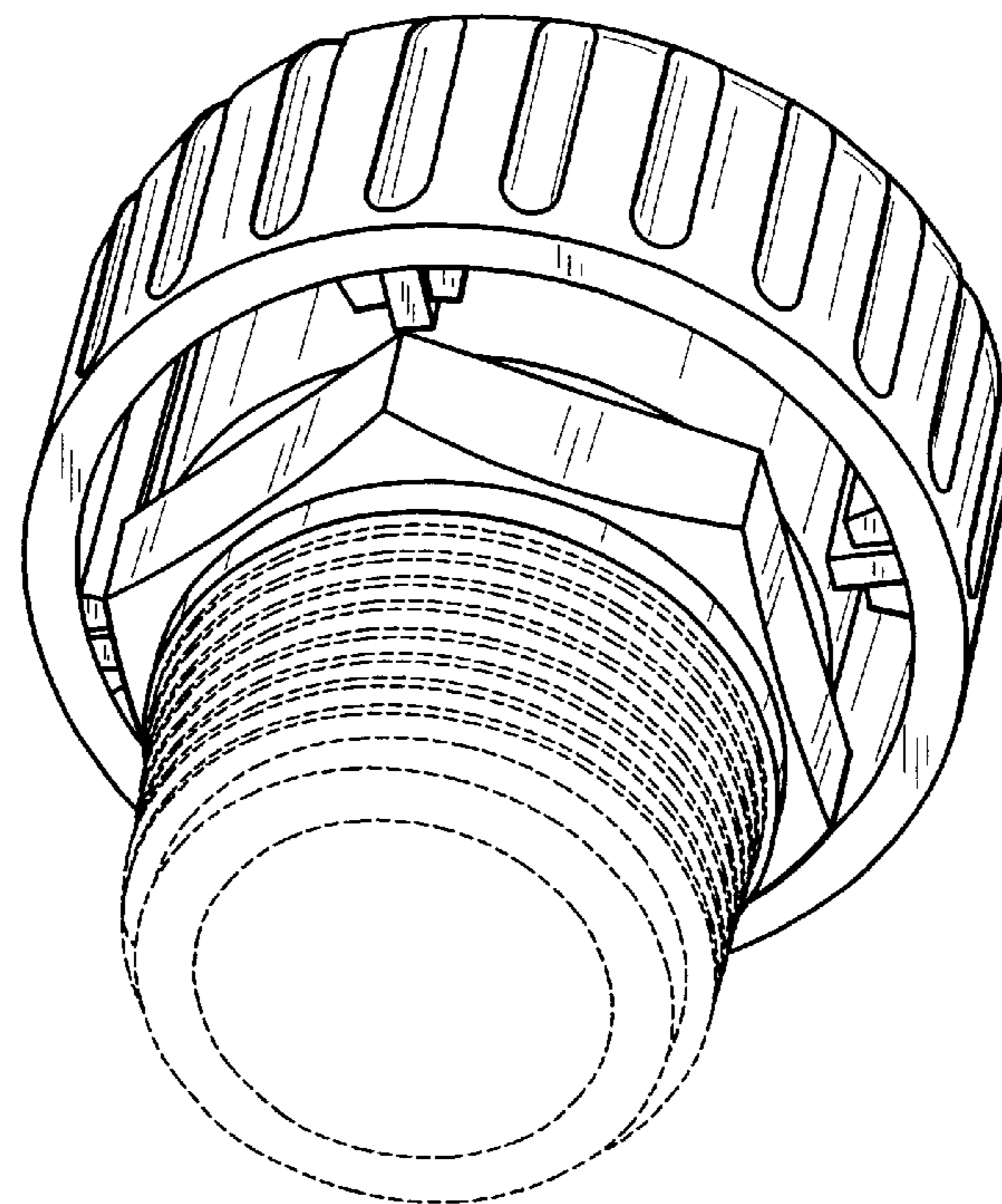
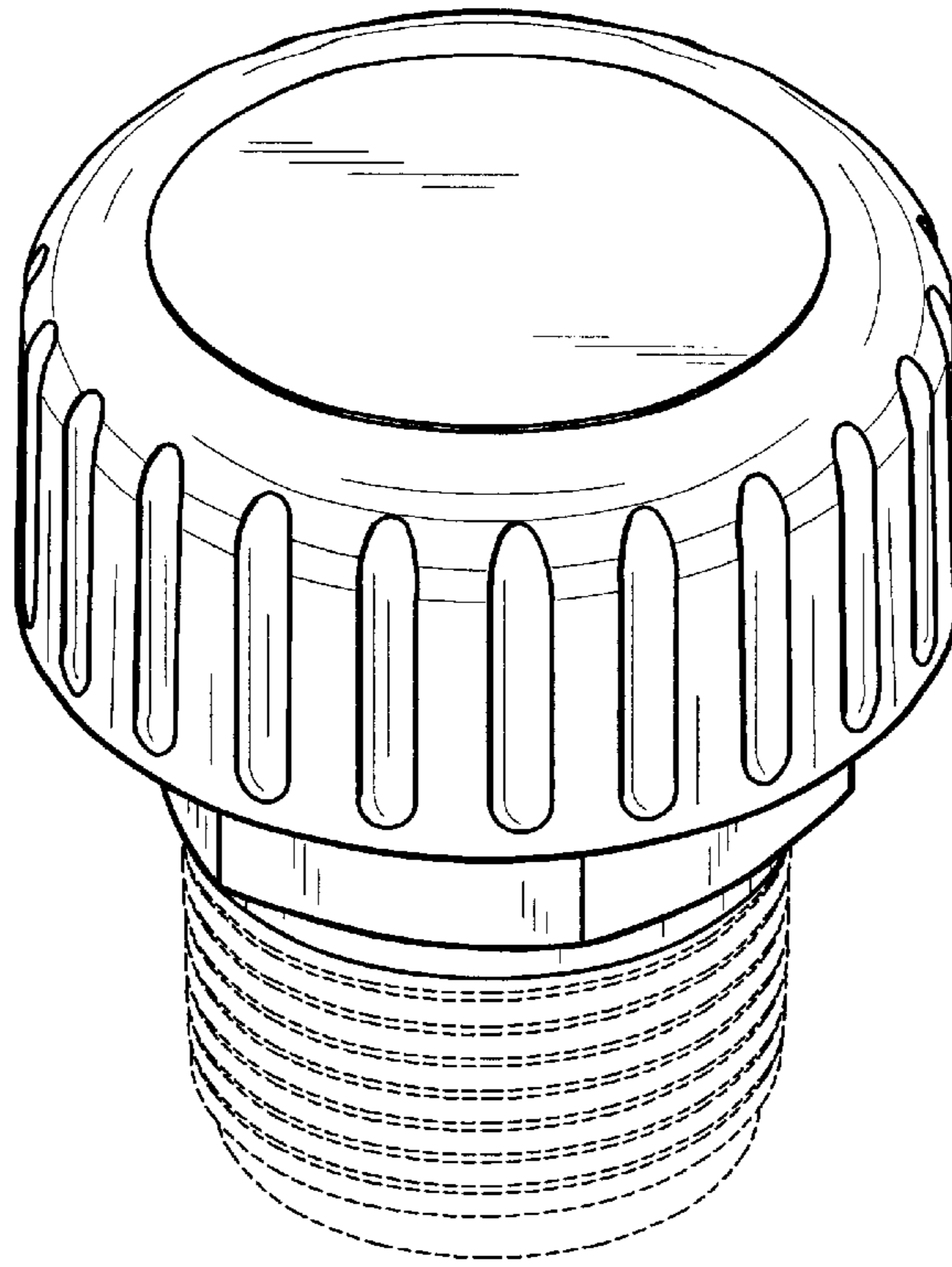


FIG. 2

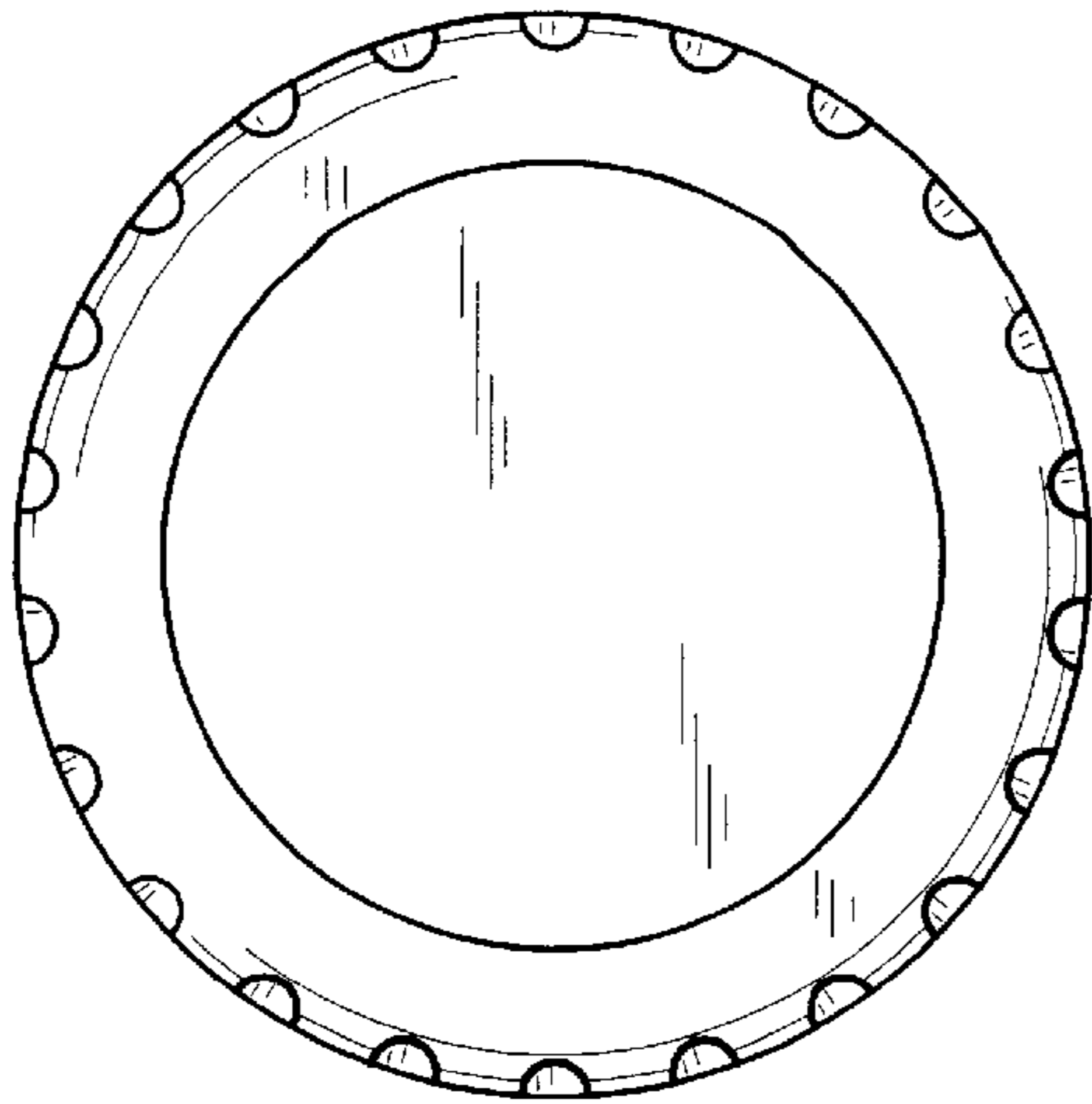


FIG. 4

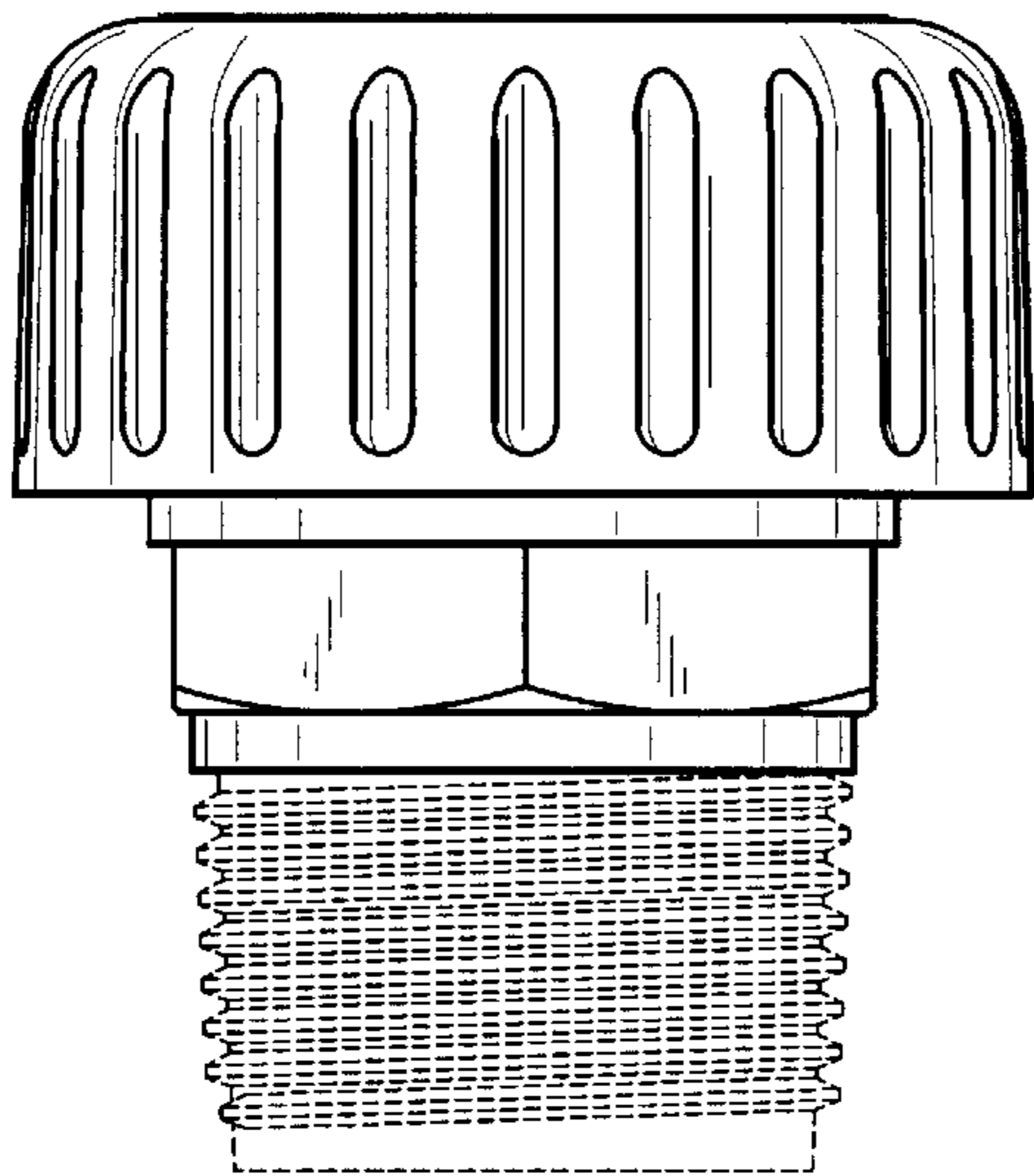


FIG. 3

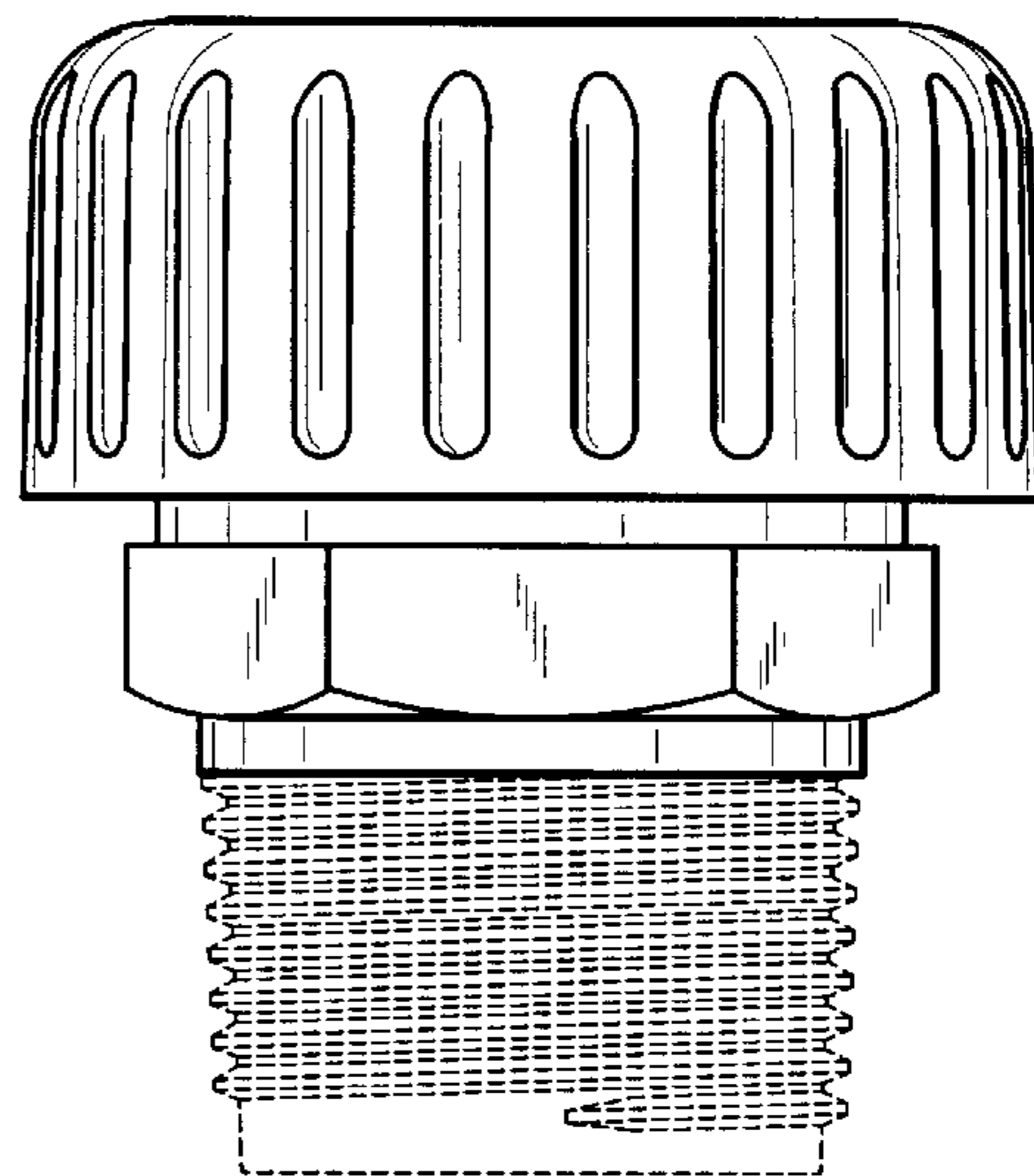


FIG. 5

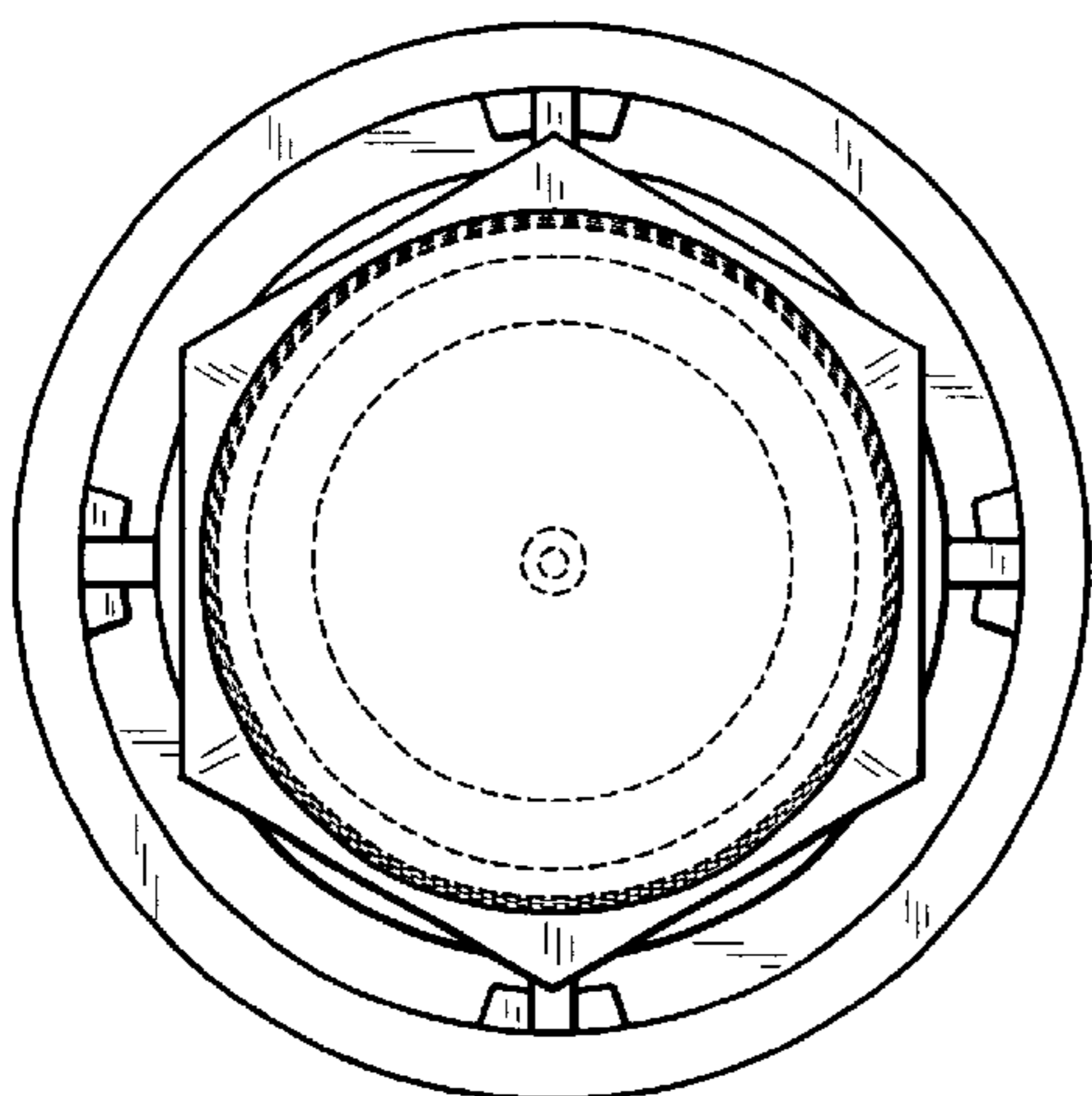


FIG. 6

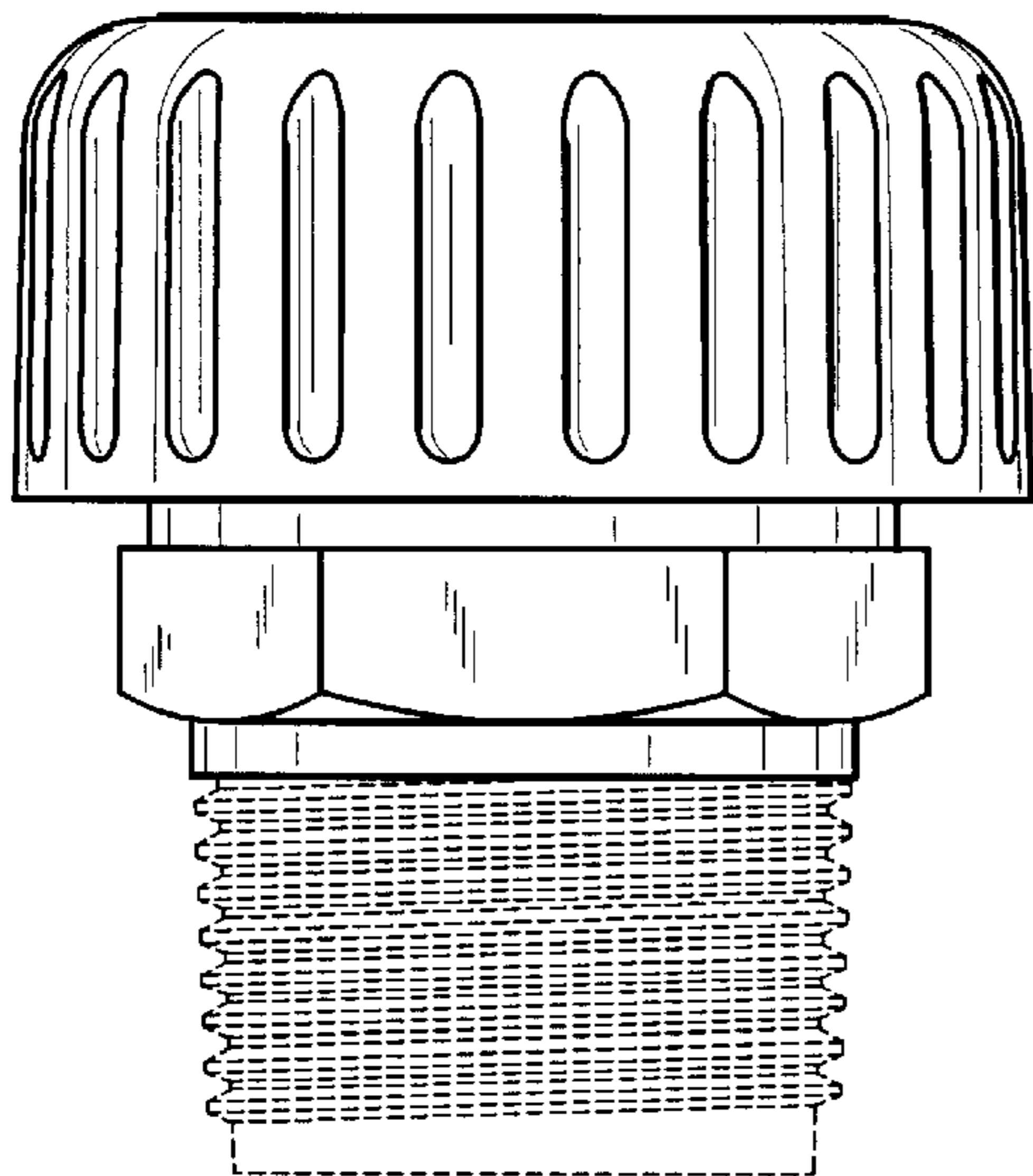


FIG. 7

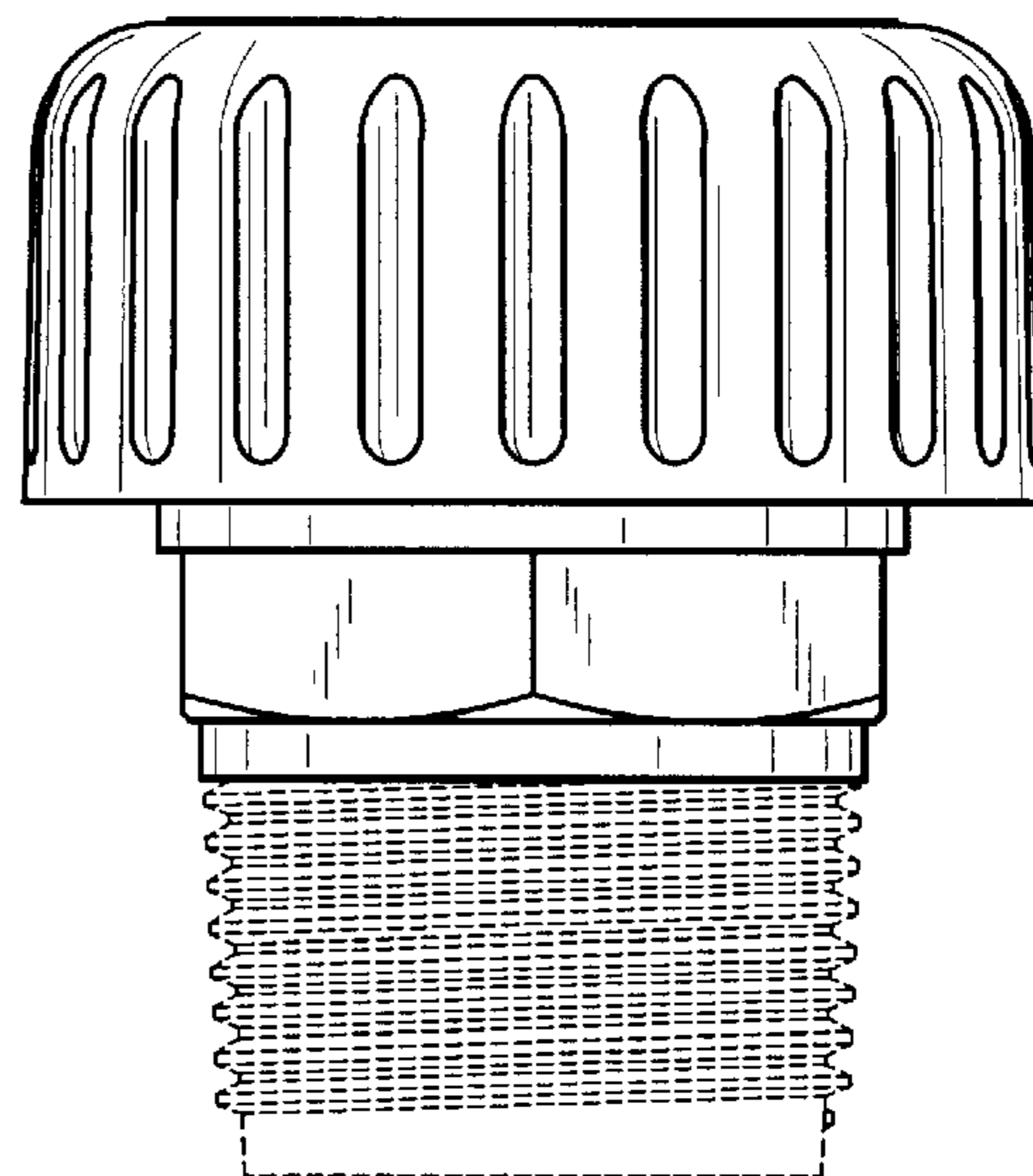


FIG. 8