



US00D510368S

(12) **United States Design Patent**
Narita

(10) **Patent No.:** **US D510,368 S**

(45) **Date of Patent:** **** Oct. 4, 2005**

(54) **OPTICAL CONNECTOR END-FACE
POLISHING MACHINE**

6,432,233 B1 * 8/2002 Hamlin et al. 156/293

* cited by examiner

(75) Inventor: **Takehiko Narita**, Chiba (JP)

Primary Examiner—Antoine D. Davis

(73) Assignee: **Seikoh Giken, Do., Ltd.** (JP)

(74) *Attorney, Agent, or Firm*—SAIDMAN DesignLaw Group

(**) Term: **14 Years**

(57) **CLAIM**

(21) Appl. No.: **29/205,609**

The ornamental design for an optical connector end-face polishing machine, as shown and described.

(22) Filed: **May 18, 2004**

(30) **Foreign Application Priority Data**

DESCRIPTION

Jan. 19, 2004 (JP) 2004-001090

FIG. 1 is a perspective view of an optical connector end-face polishing machine;

(51) **LOC (8) Cl.** **15-09**

FIG. 2 is a front view thereof;

(52) **U.S. Cl.** **D15/124**

FIG. 3 is a rear view thereof;

(58) **Field of Search** D15/124; 156/293;

FIG. 4 is a right side view thereof;

385/85; 451/271, 364

FIG. 5 is a left side view thereof;

FIG. 6 is a top plan view thereof; and,

FIG. 7 is a bottom view thereof.

(56) **References Cited**

U.S. PATENT DOCUMENTS

5,497,443 A * 3/1996 Jie et al. 385/134

1 Claim, 4 Drawing Sheets

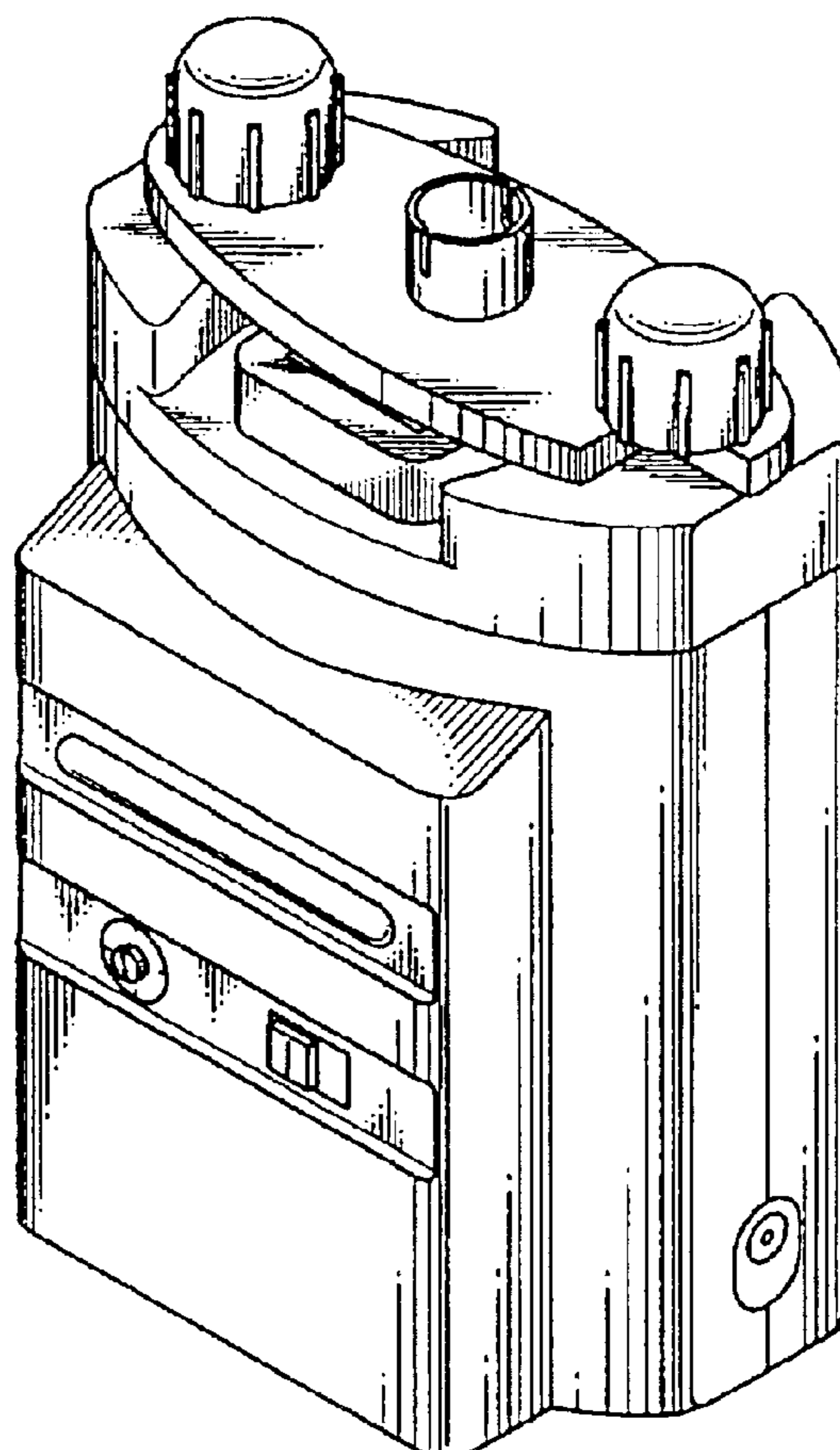


Fig.1

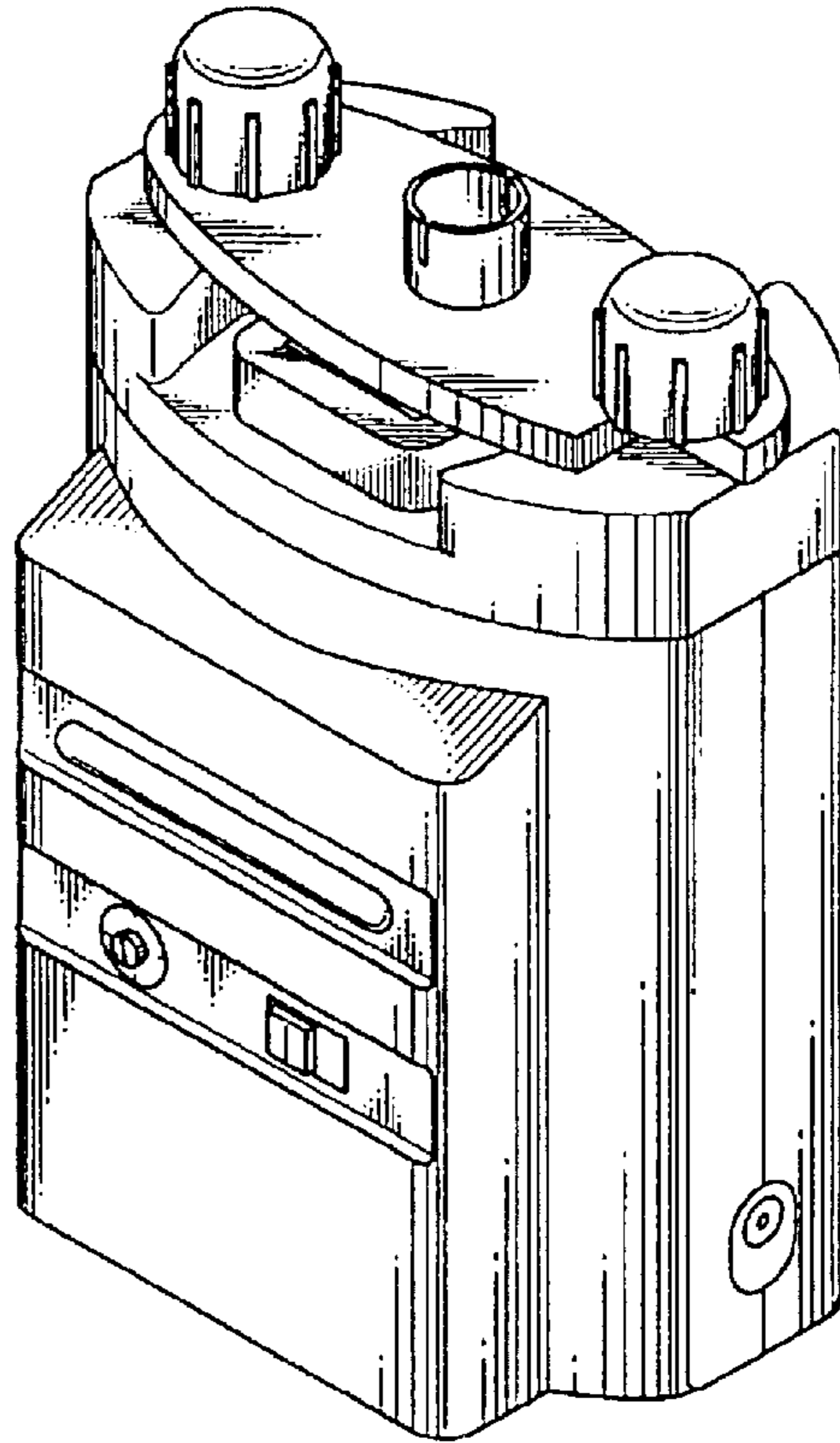


Fig.2

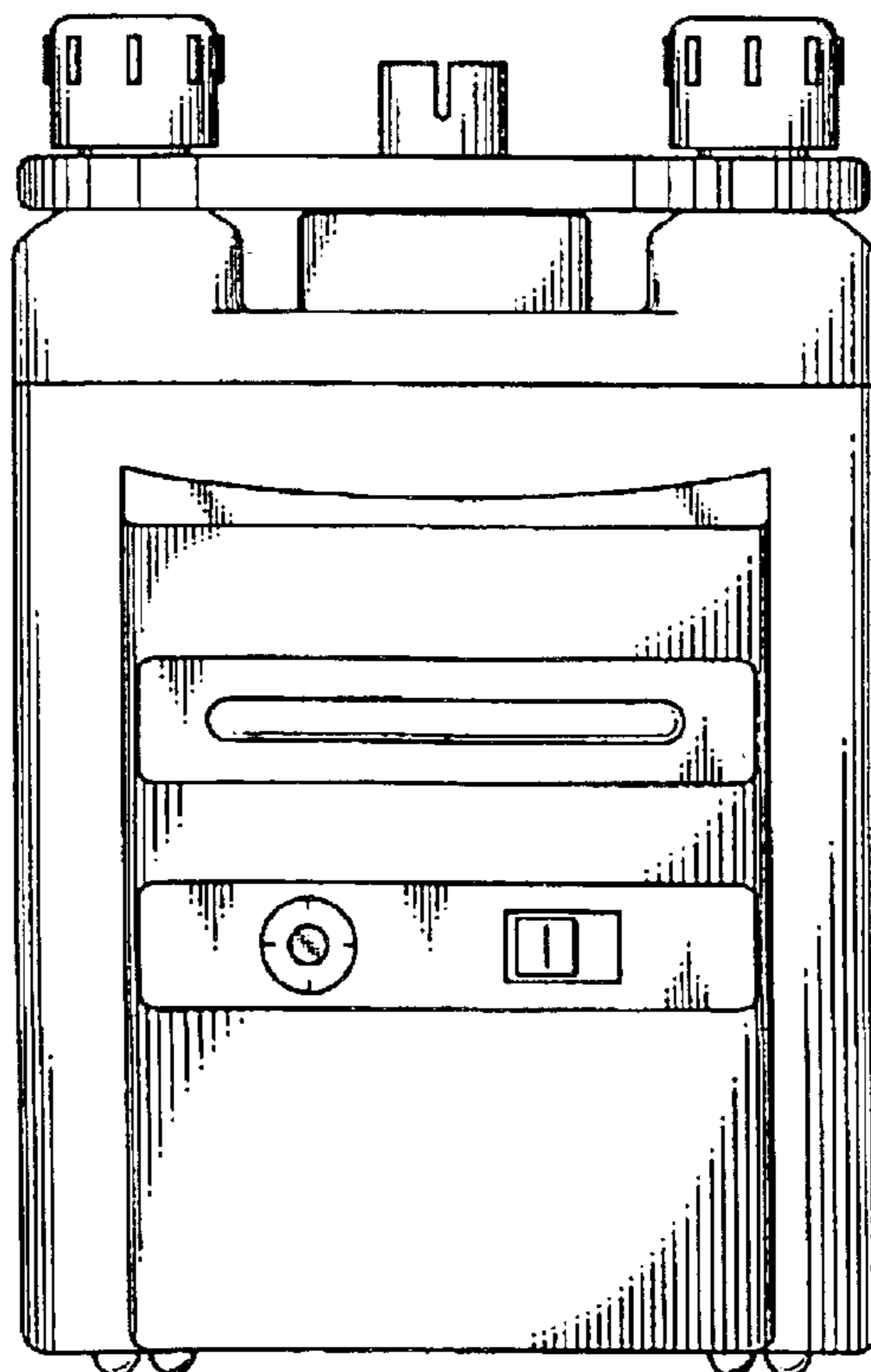


Fig.3

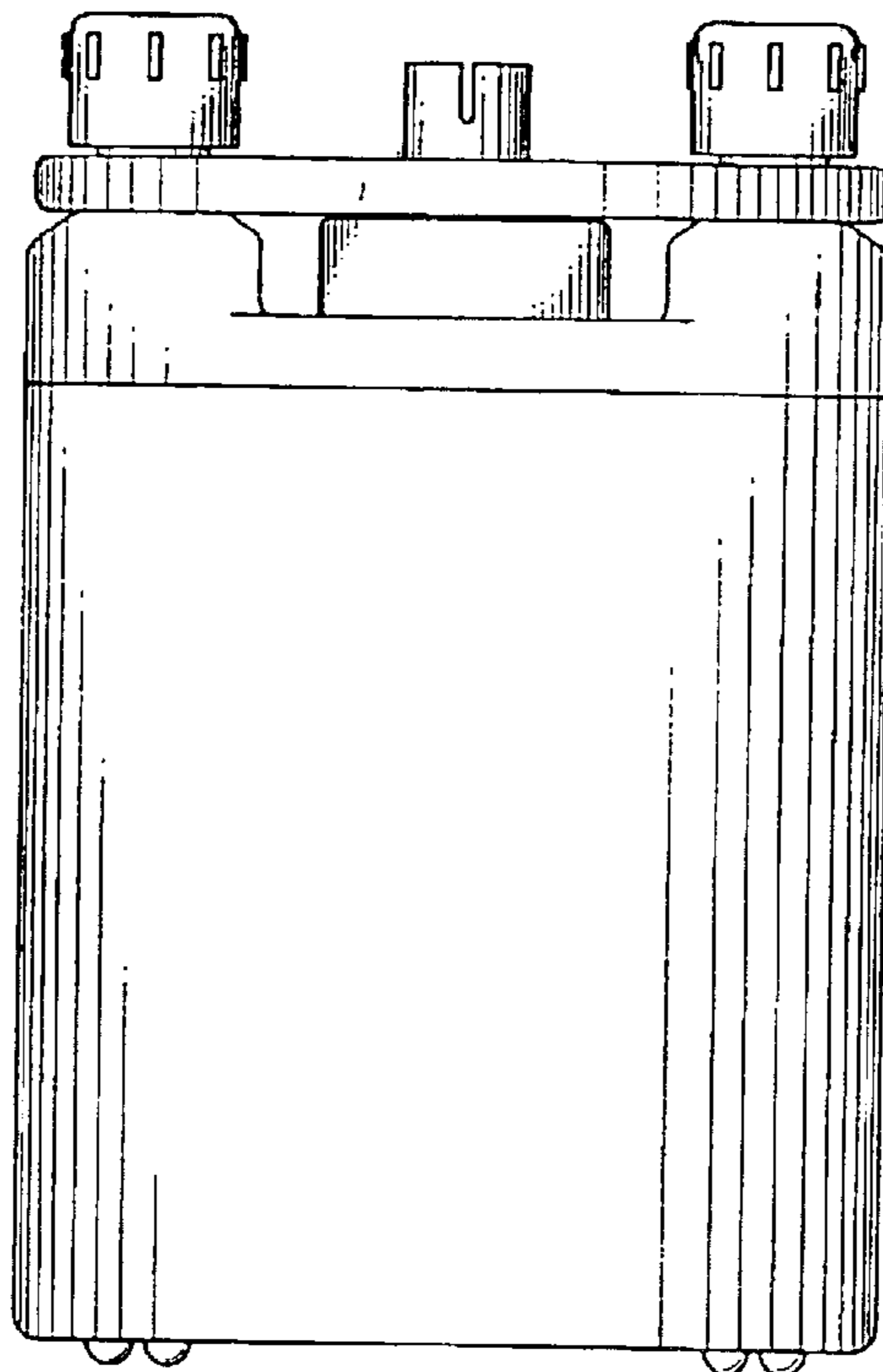


Fig.4

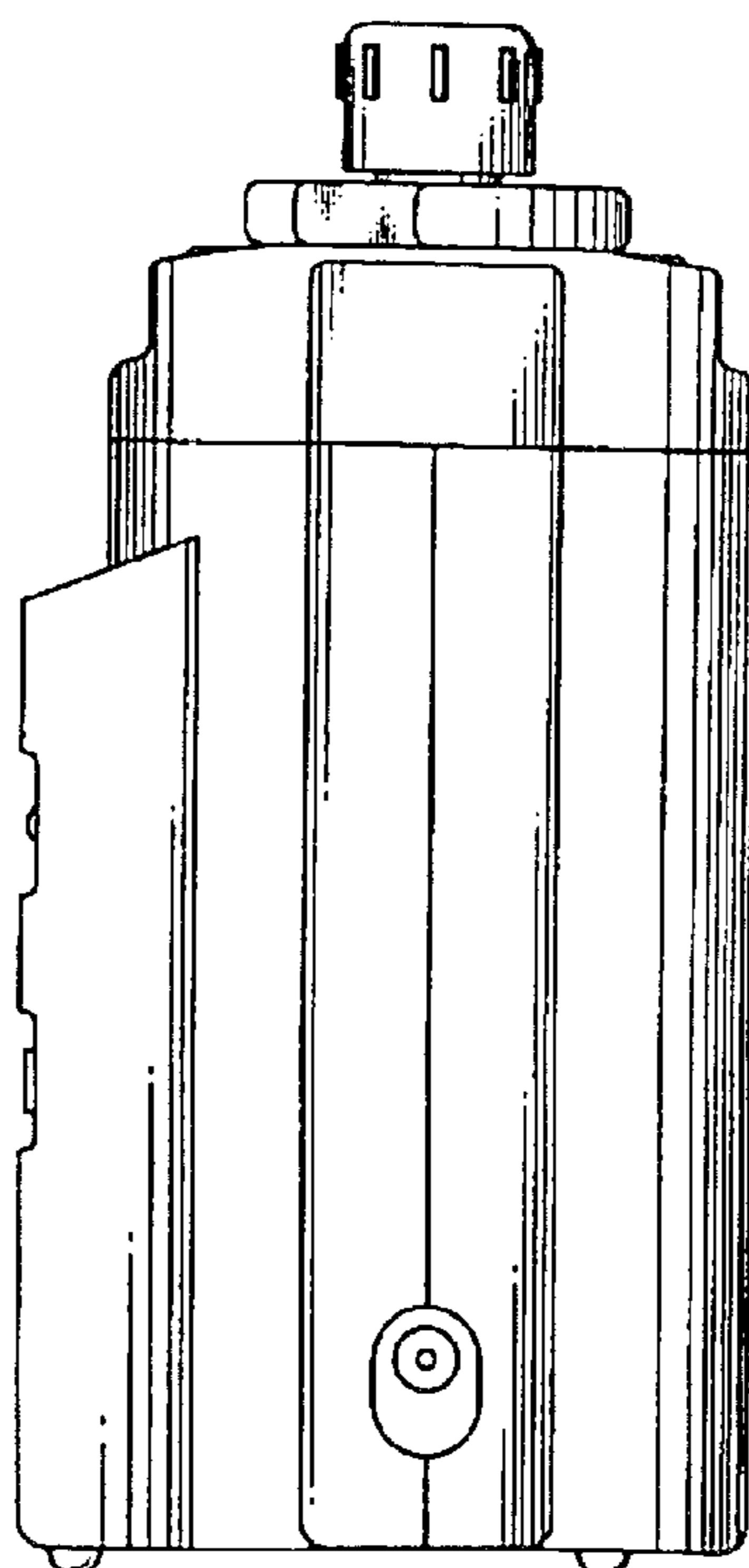


Fig.5

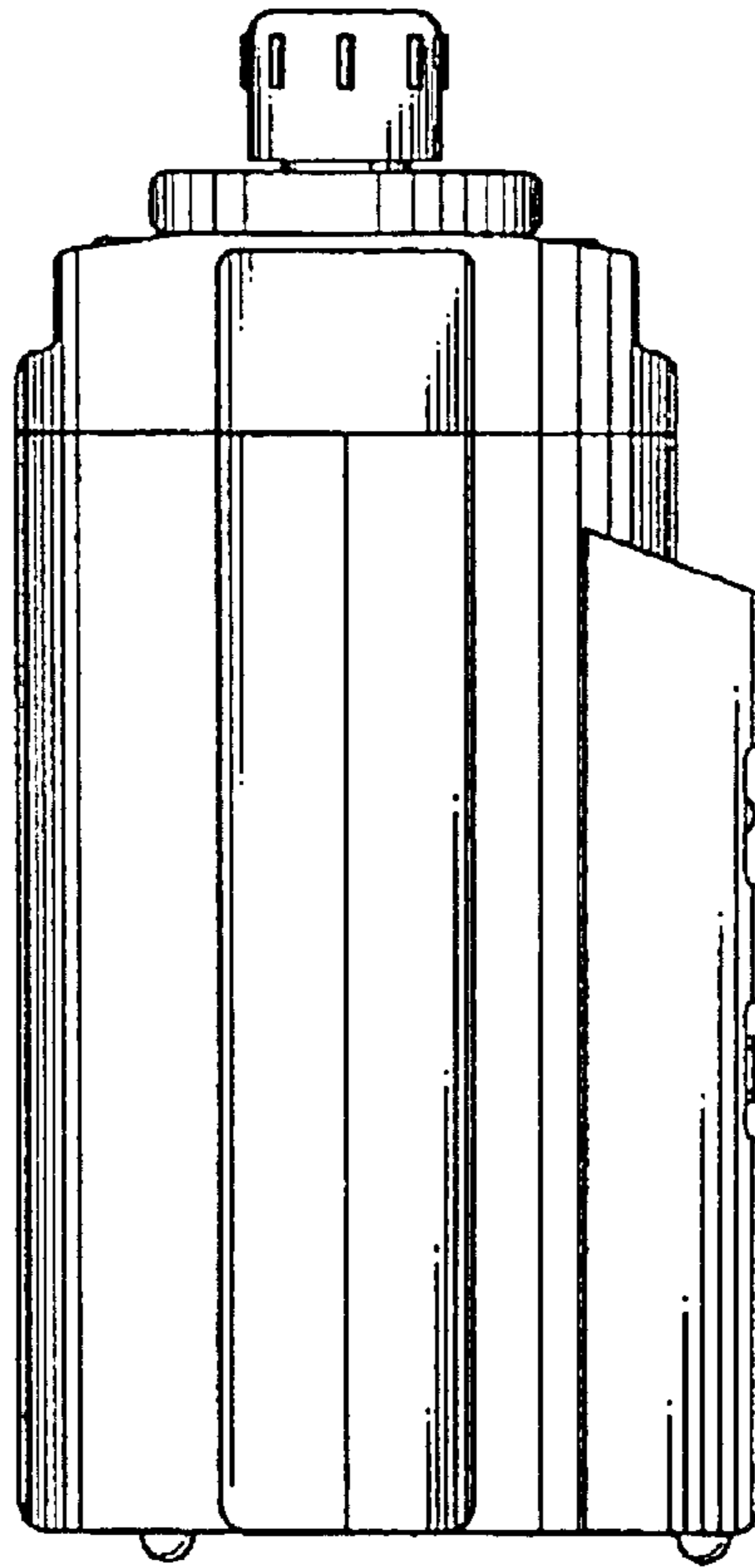


Fig.6

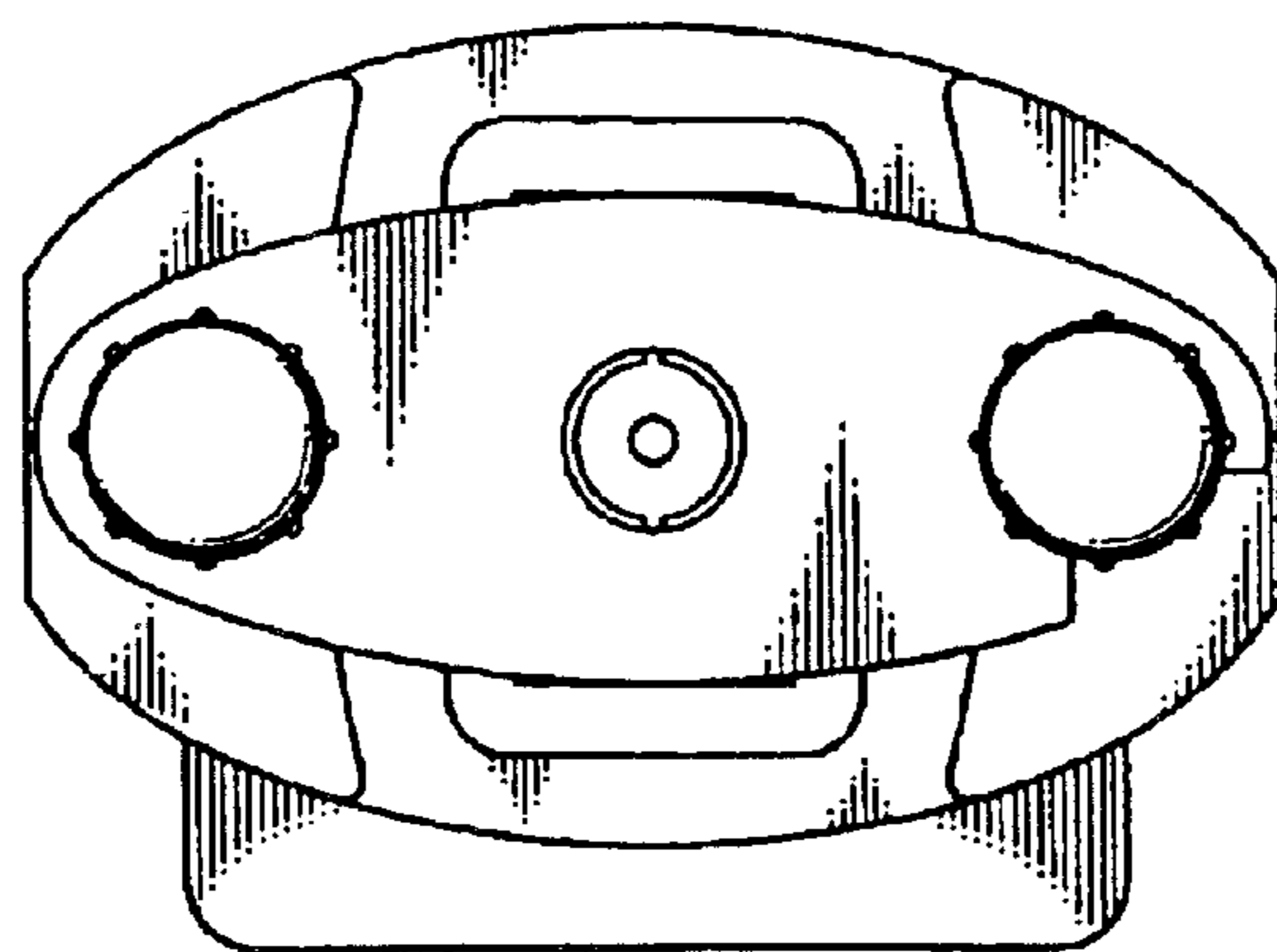
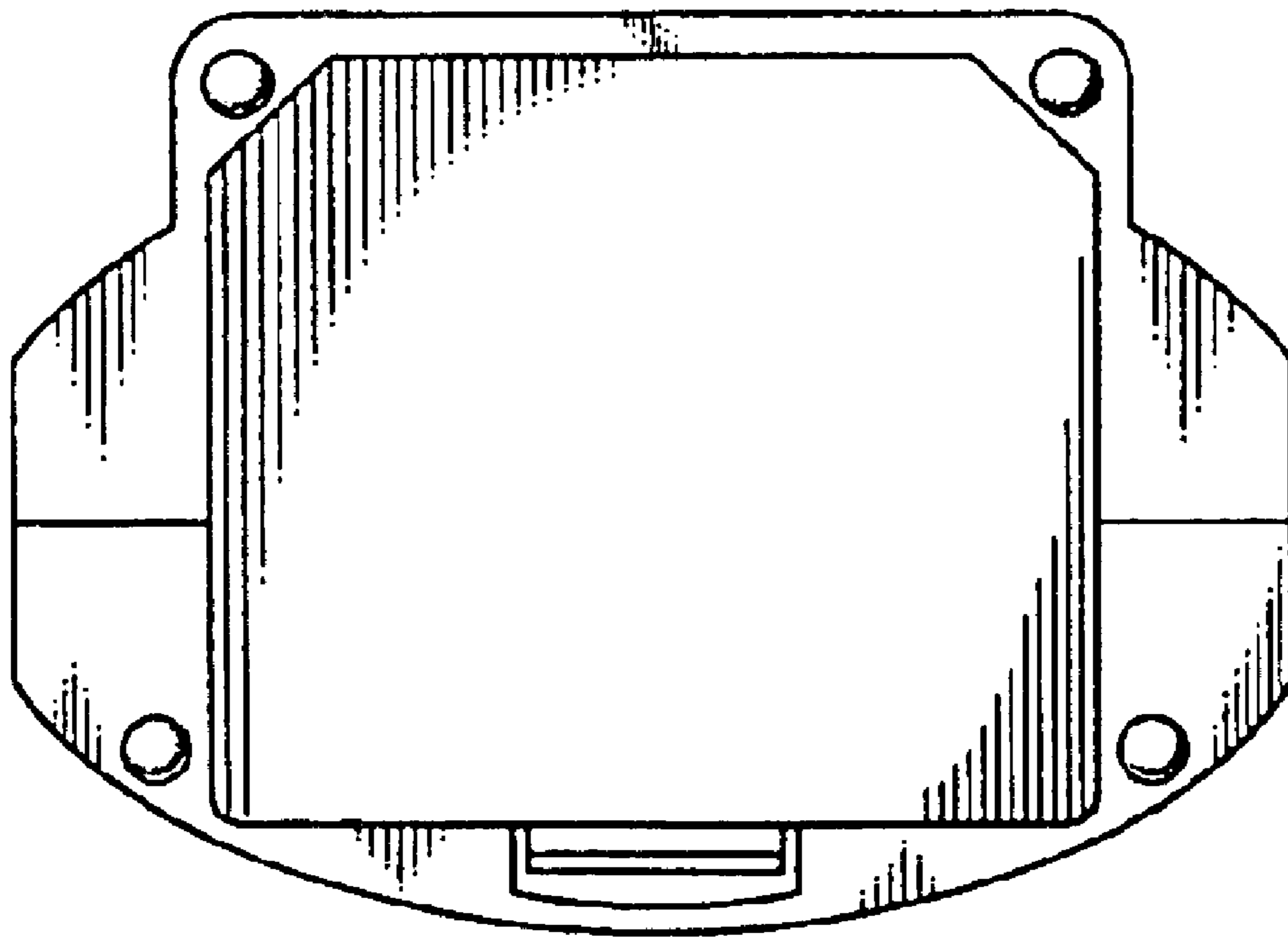


Fig.7



UNITED STATES PATENT AND TRADEMARK OFFICE
CERTIFICATE OF CORRECTION

PATENT NO. : Des. 510,368 S
DATED : October 4, 2005
INVENTOR(S) : Takehiko Narita

Page 1 of 1

It is certified that error appears in the above-identified patent and that said Letters Patent is hereby corrected as shown below:

Title page.

Item [73], Assignee, reads "**Seikoh Giken, Do., Ltd.**" should read -- **Seikoh Giken, Co., Ltd.** --.

Signed and Sealed this

Twenty-second Day of November, 2005

A handwritten signature in black ink on a light gray dotted background. The signature reads "Jon W. Dudas" in a cursive style.

JON W. DUDAS

Director of the United States Patent and Trademark Office