



US00D510364S

(12) **United States Design Patent**  
**Wessel**

(10) **Patent No.:** **US D510,364 S**  
(45) **Date of Patent:** **\*\* Oct. 4, 2005**

(54) **TURF AERATOR**

(75) Inventor: **Elmer A. Wessel**, Lincoln, NE (US)

(73) Assignee: **Industrial Machine Specialties, Inc.**,  
Lincoln, NE (US)

(\*\*) Term: **14 Years**

(21) Appl. No.: **29/185,287**

(22) Filed: **Jun. 25, 2003**

(51) **LOC (8) Cl.** ..... **15-03**

(52) **U.S. Cl.** ..... **D15/12**

(58) **Field of Search** ..... D15/10-12, 14;  
56/12.7, 16.7, 16.8, 16.9, 17.2, 17.4, 17.5,  
17.6, 249, 256, 320.1, 320, 328.1; 294/19.2

(56) **References Cited**

**U.S. PATENT DOCUMENTS**

D309,310 S	*	7/1990	Fushiya et al.	.....	D15/14
D332,270 S	*	1/1993	Hefty	.....	D15/14
D365,570 S	*	12/1995	Danford	.....	D15/10
D382,884 S	*	8/1997	Redman	.....	D15/14
5,680,903 A		10/1997	Oliver		

**OTHER PUBLICATIONS**

Parts list for 22" Compact Turf Aerator available as Model Nos. PL400B and PL400H from Rock Solid™, a division of Industrial Machine Specialties, Inc. (first published Nov. 2001).

Manual for 22" Compact Turf Aerator available as Model Nos. PL400B and PL400H from Rock Solid™, a division of Industrial Machine Specialties, Inc. (first published Apr. 2001).

Brochure, including insert, entitled "PLUGR™" and distributed by Rock Solid™, a division of Industrial Machine Specialties, Inc. (first published 1999).

Brochure entitled "PLUGR™, Plugr Aerates Circles Around the Competition" and distributed by Rock Solid™, a division of Industrial Machine Specialties, Inc. (first published 2000).

\* cited by examiner

*Primary Examiner*—Mitchell Siegel

(74) *Attorney, Agent, or Firm*—Hovey Williams LLP

(57) **CLAIM**

The ornamental design for a turf aerator, as shown and described.

**DESCRIPTION**

This application is being filed contemporaneously with application for U.S. Letters Patent Ser. No. 10/604,088, entitled Turf Aerator with Unibody Construction and Reciprocating Tines, which is hereby incorporated by reference herein.

FIG. 1 is a perspective view of a turf aerator embodying my design, with the engine, wheels, cylindrical tines and other details of construction being shown in broken lines for illustrative purposes only and forming no part of the claimed design;

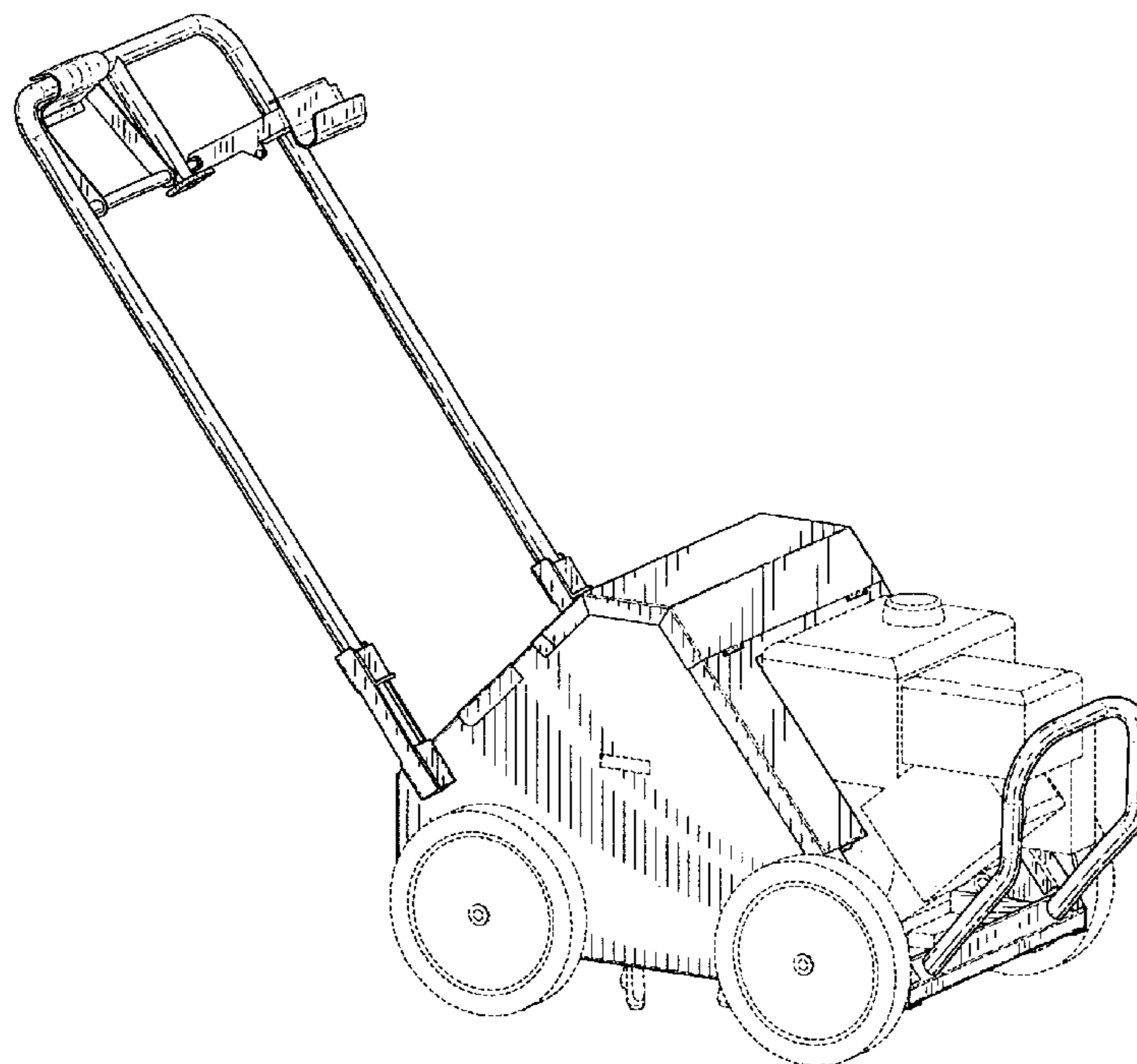
FIG. 2 is a front elevational view of the turf aerator illustrated in FIG. 1;

FIG. 3 is a side elevational view of the turf aerator illustrated in FIGS. 1-2;

FIG. 4 is a rear elevational view of the turf aerator illustrated in FIGS. 1-3; and,

FIG. 5 is a plan view of the turf aerator illustrated in FIGS. 1-4.

**1 Claim, 3 Drawing Sheets**



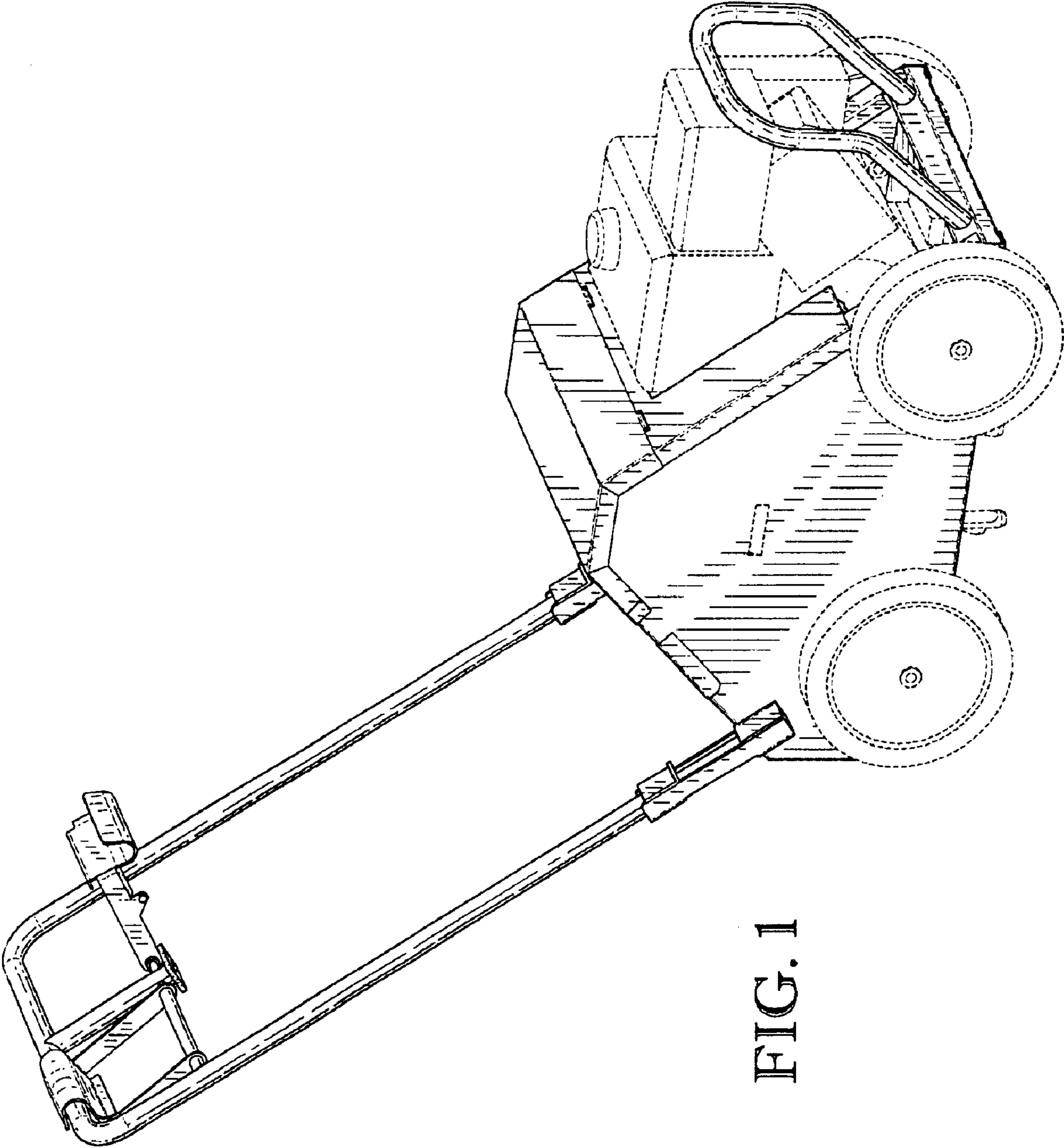


FIG. 1

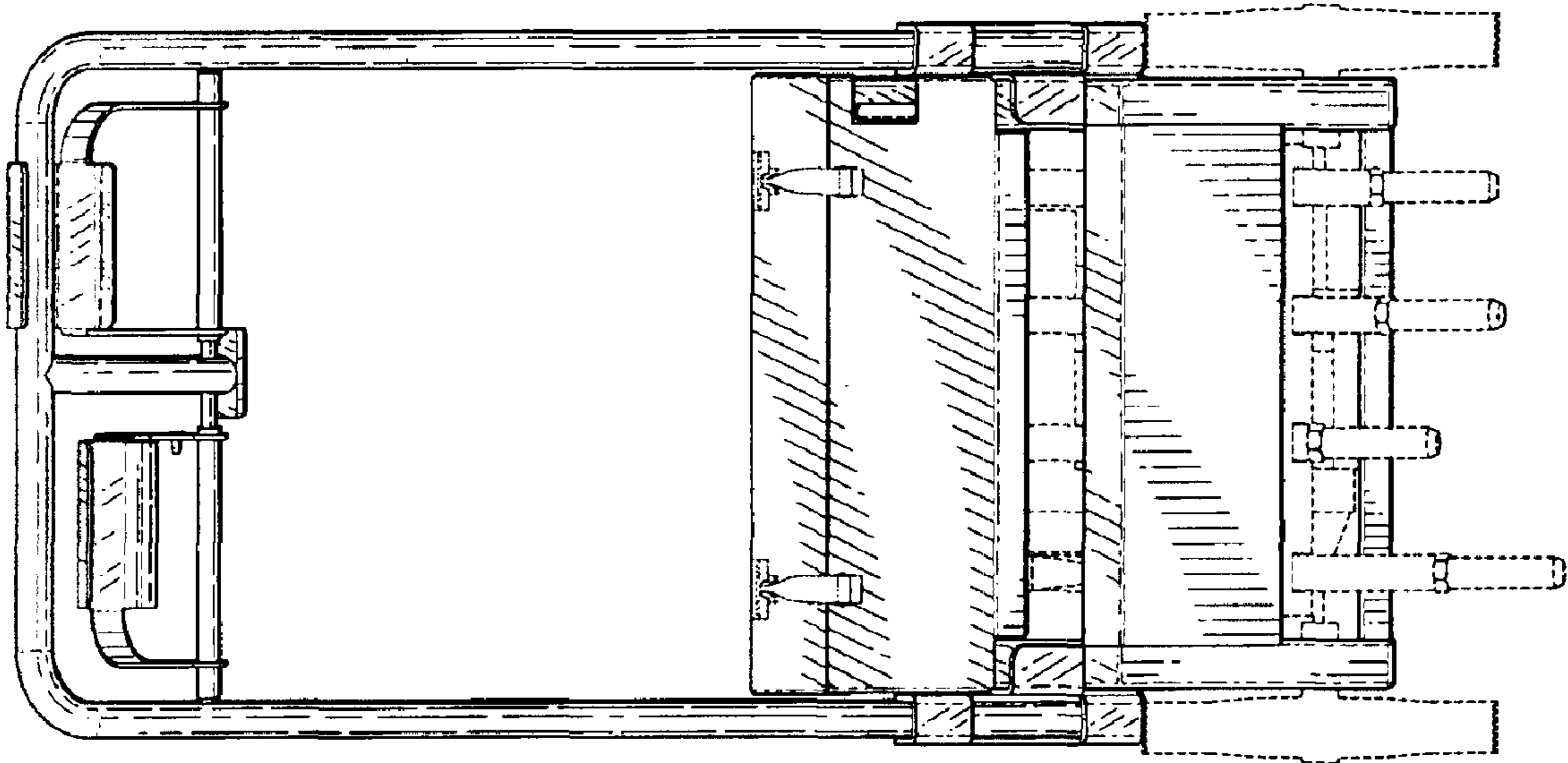


FIG. 2

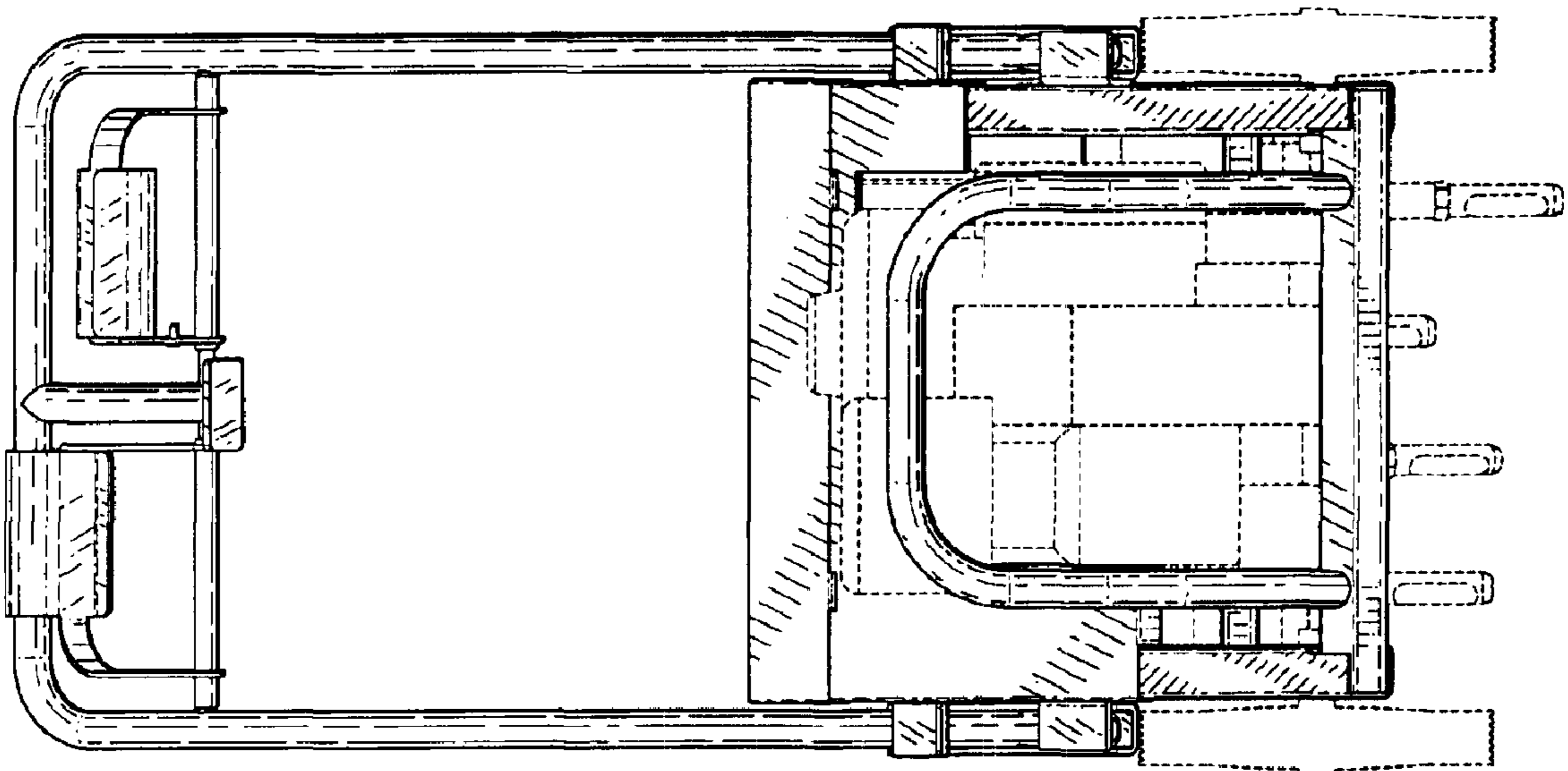


FIG. 4

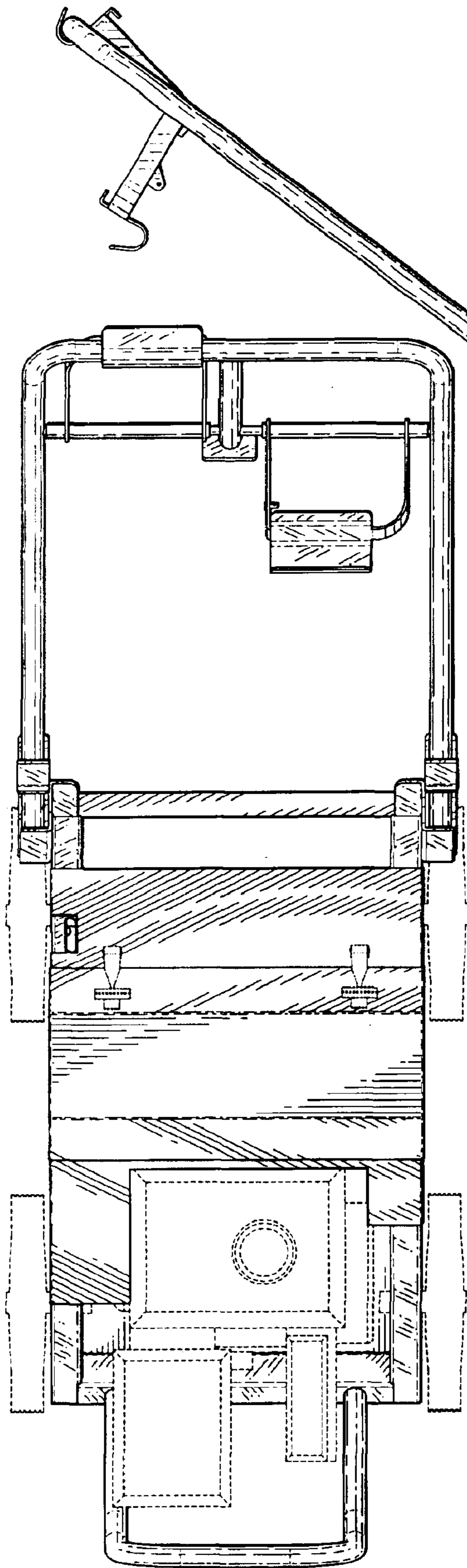


FIG. 5

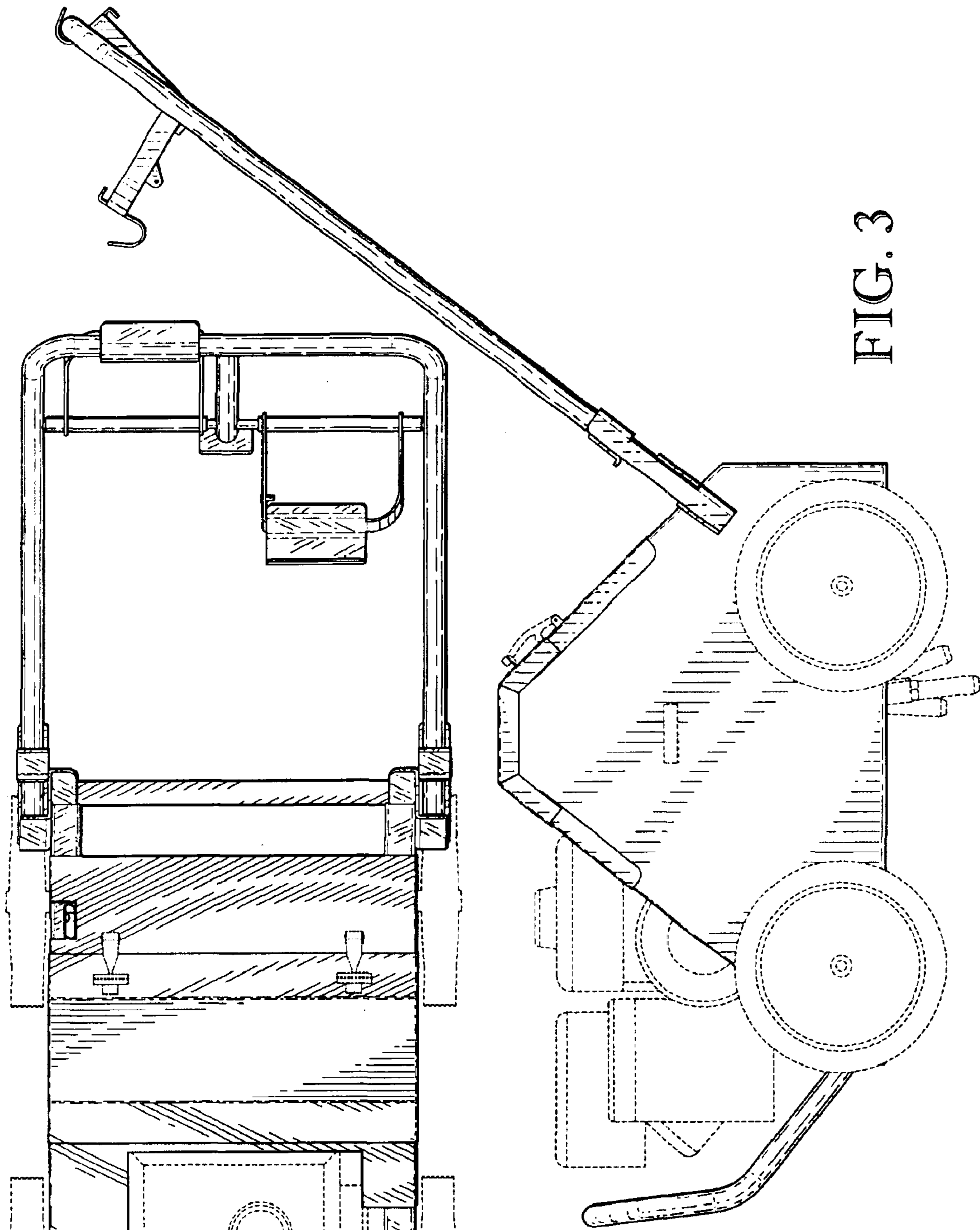


FIG. 3