

US00D510363S

(12) **United States Design Patent**
Leone et al.

(10) **Patent No.:** **US D510,363 S**
(45) **Date of Patent:** **** Oct. 4, 2005**

(54) **LIQUID PUMP**

(76) Inventors: **Michele Leone**, Via Caboto 11 I-56031,
Marina di Pisa (IT); **Lawrence J. Cammuso**, 4006 Karen Dr., Edmond,
OK (US) 73013

(**) Term: **14 Years**

(21) Appl. No.: **29/202,242**

(22) Filed: **Mar. 26, 2004**

(51) **LOC (8) Cl.** **15-02**

(52) **U.S. Cl.** **D15/7**

(58) **Field of Search** D15/7-9; 417/321,
417/410, 413.1, 415, 423.3, 486, 521, 534;
415/148

(56) **References Cited**

U.S. PATENT DOCUMENTS

| | | | | | | |
|-----------|---|---|--------|----------------|-------|---------|
| 3,318,249 | A | * | 5/1967 | Loeser | | 417/38 |
| D258,210 | S | * | 2/1981 | Shure | | D15/7 |
| D289,402 | S | * | 4/1987 | Carlson et al. | | D15/7 |
| 5,094,591 | A | * | 3/1992 | Whitley et al. | | 417/234 |

| | | | | | | |
|----------|---|---|---------|---------------|-------|-------|
| D329,650 | S | * | 9/1992 | Whitley, II | | D15/7 |
| D339,143 | S | * | 9/1993 | Whitley, II | | D15/7 |
| D466,527 | S | * | 12/2002 | Graber et al. | | D15/9 |

* cited by examiner

Primary Examiner—Ralf Seifert

(74) *Attorney, Agent, or Firm*—Ladas & Parry

(57) **CLAIM**

We claim the ornamental design for liquid pump, as shown and described.

DESCRIPTION

FIG. 1 is a right-side elevational view of a liquid pump showing our new design, the left-side elevational view being a mirror image;

FIG. 2 is a bottom plan view thereof;

FIG. 3 is a top plan view thereof;

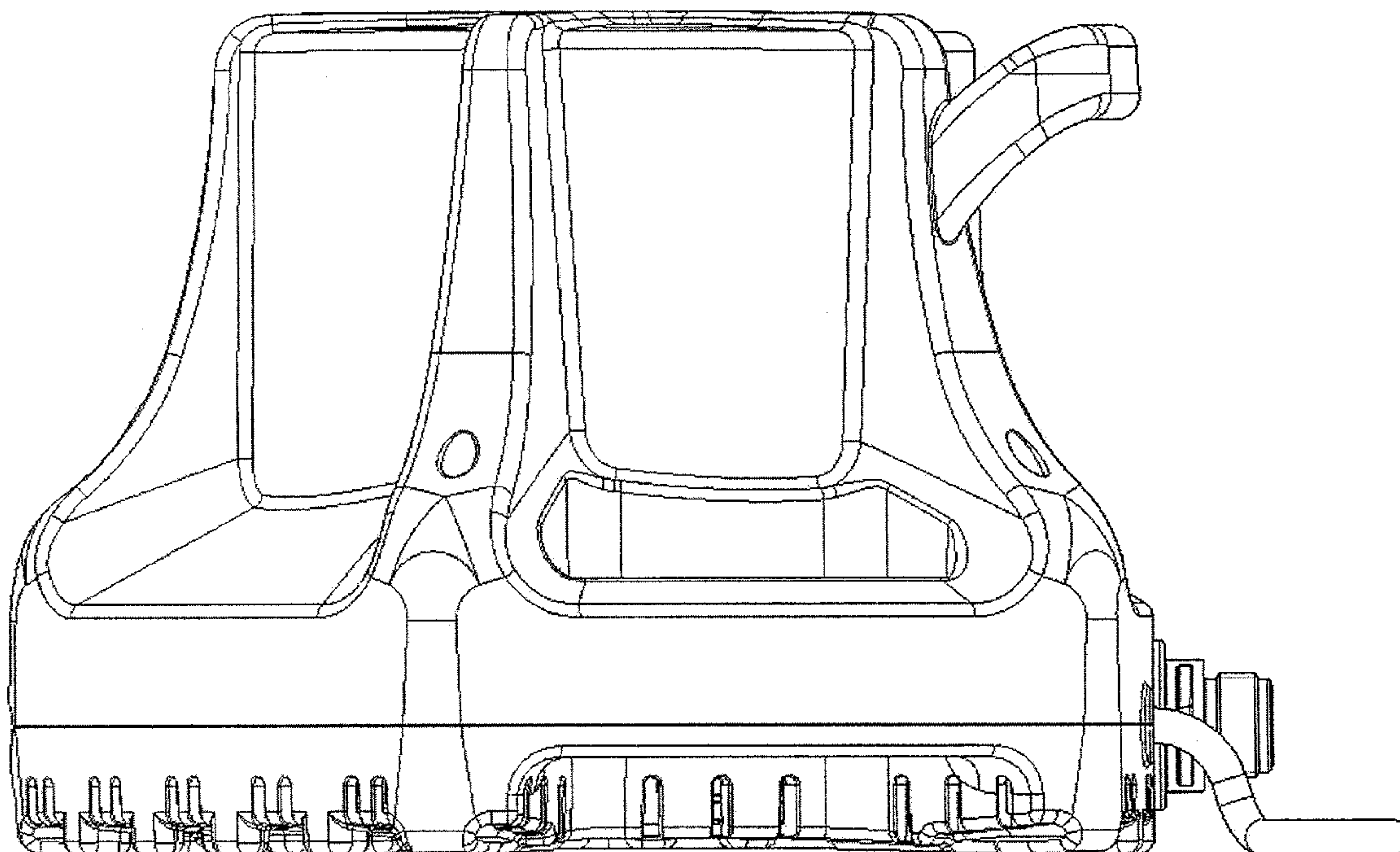
FIG. 4 is a rear elevational view thereof;

FIG. 5 is a front elevational view thereof;

FIG. 6 is a right-side/front/top perspective view thereof; and,

FIG. 7 is a right-side/rear/top perspective view thereof.

1 Claim, 7 Drawing Sheets



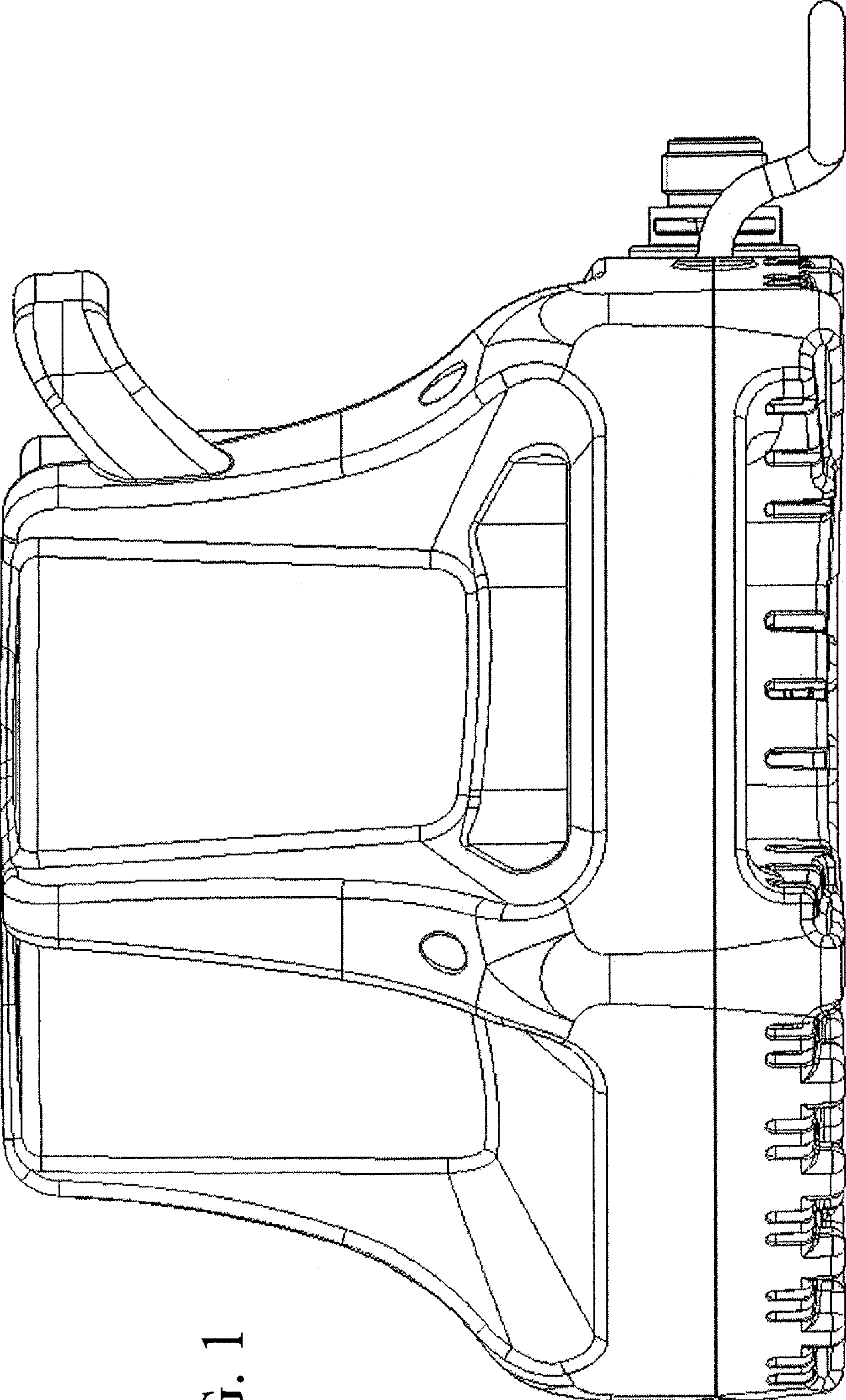


FIG. 1

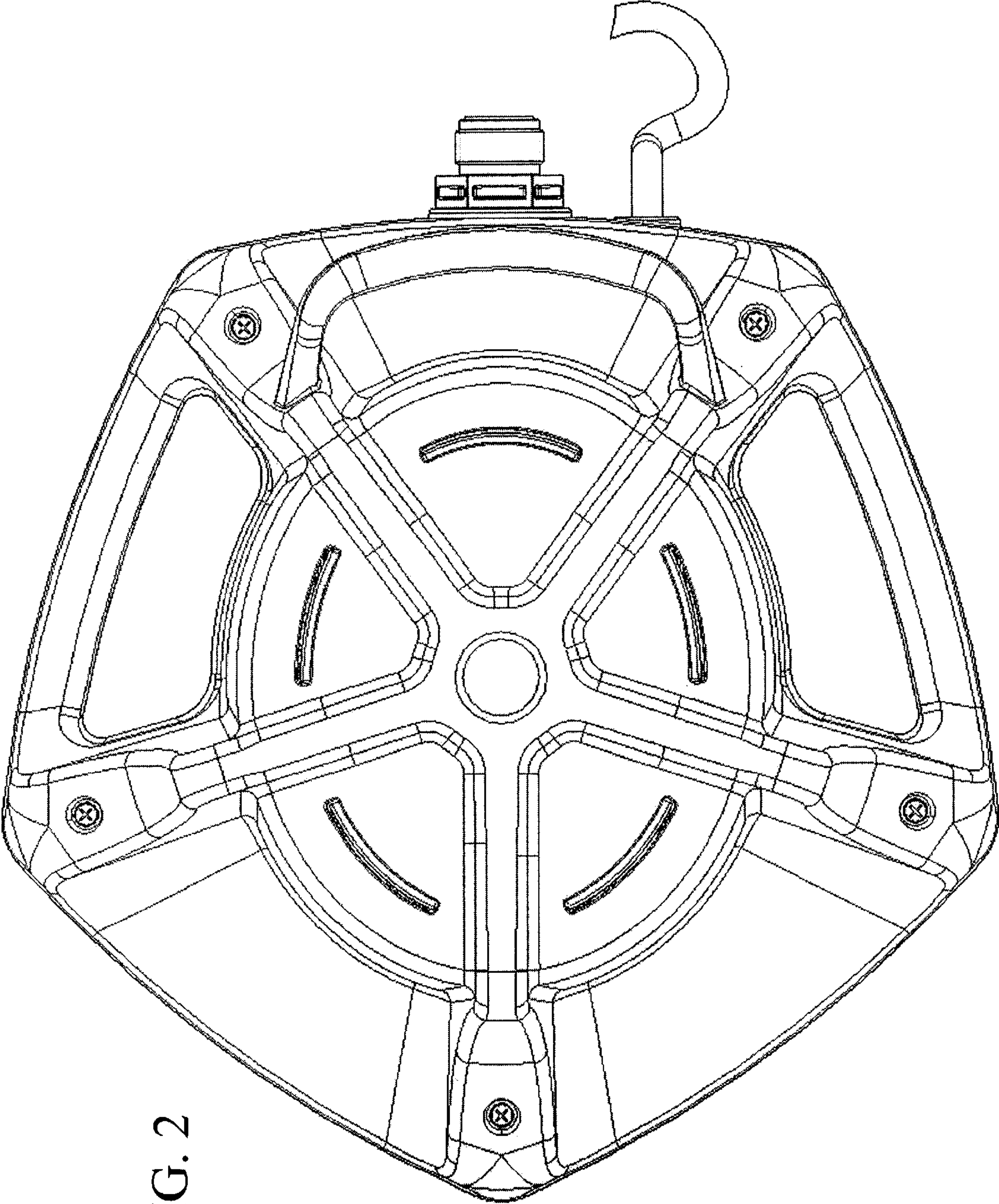


FIG. 2

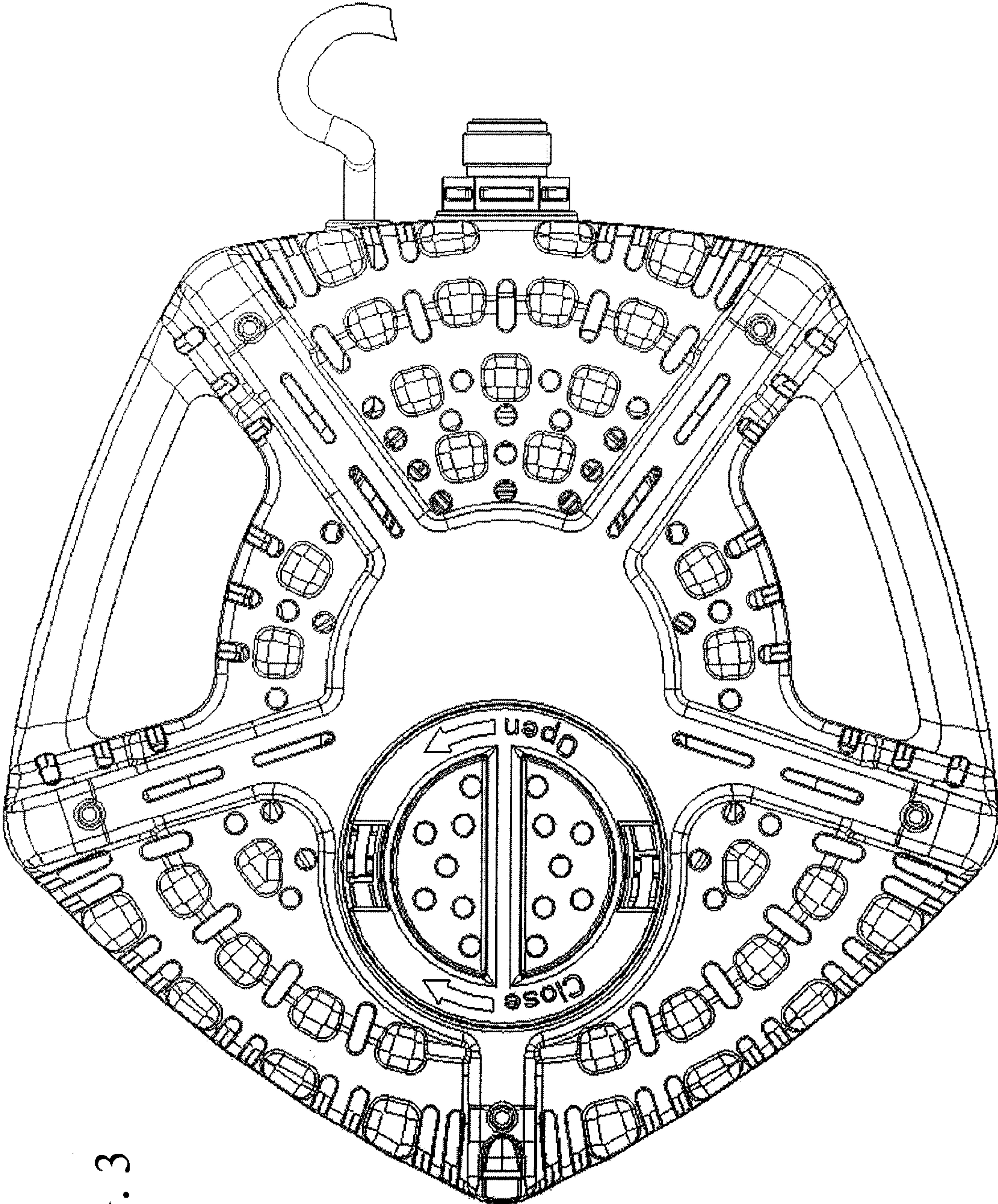


FIG. 3

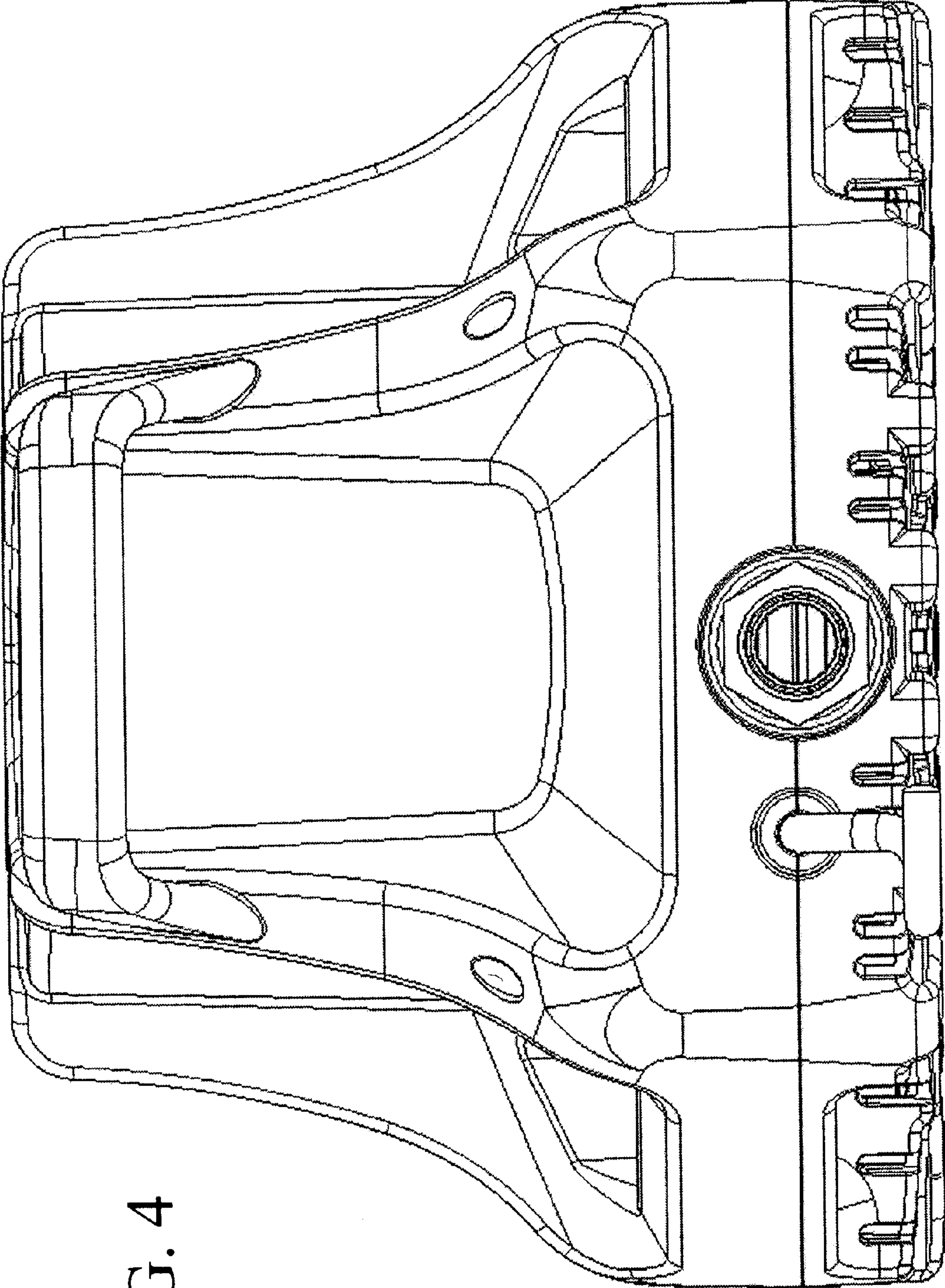


FIG. 4

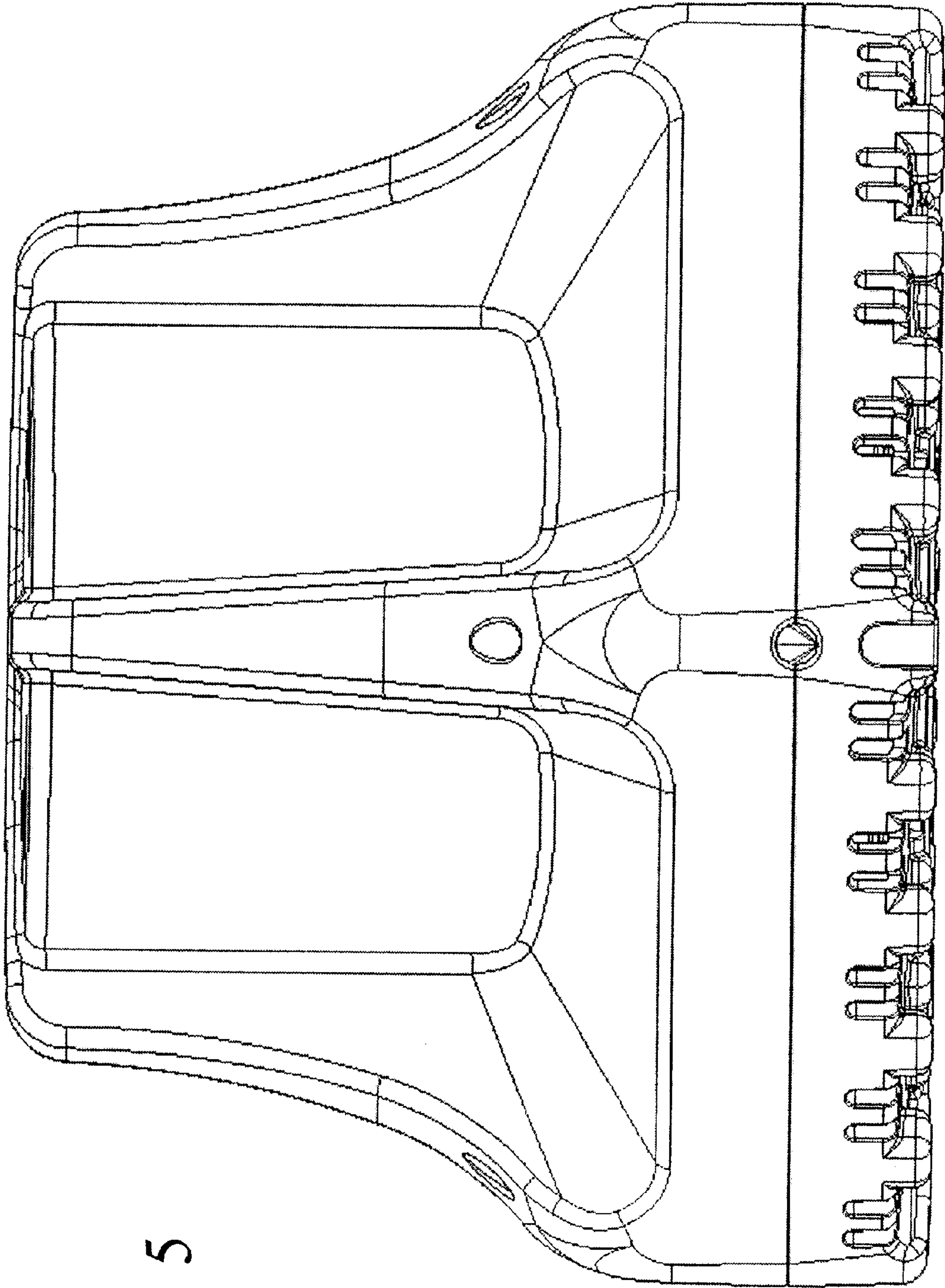


FIG. 5

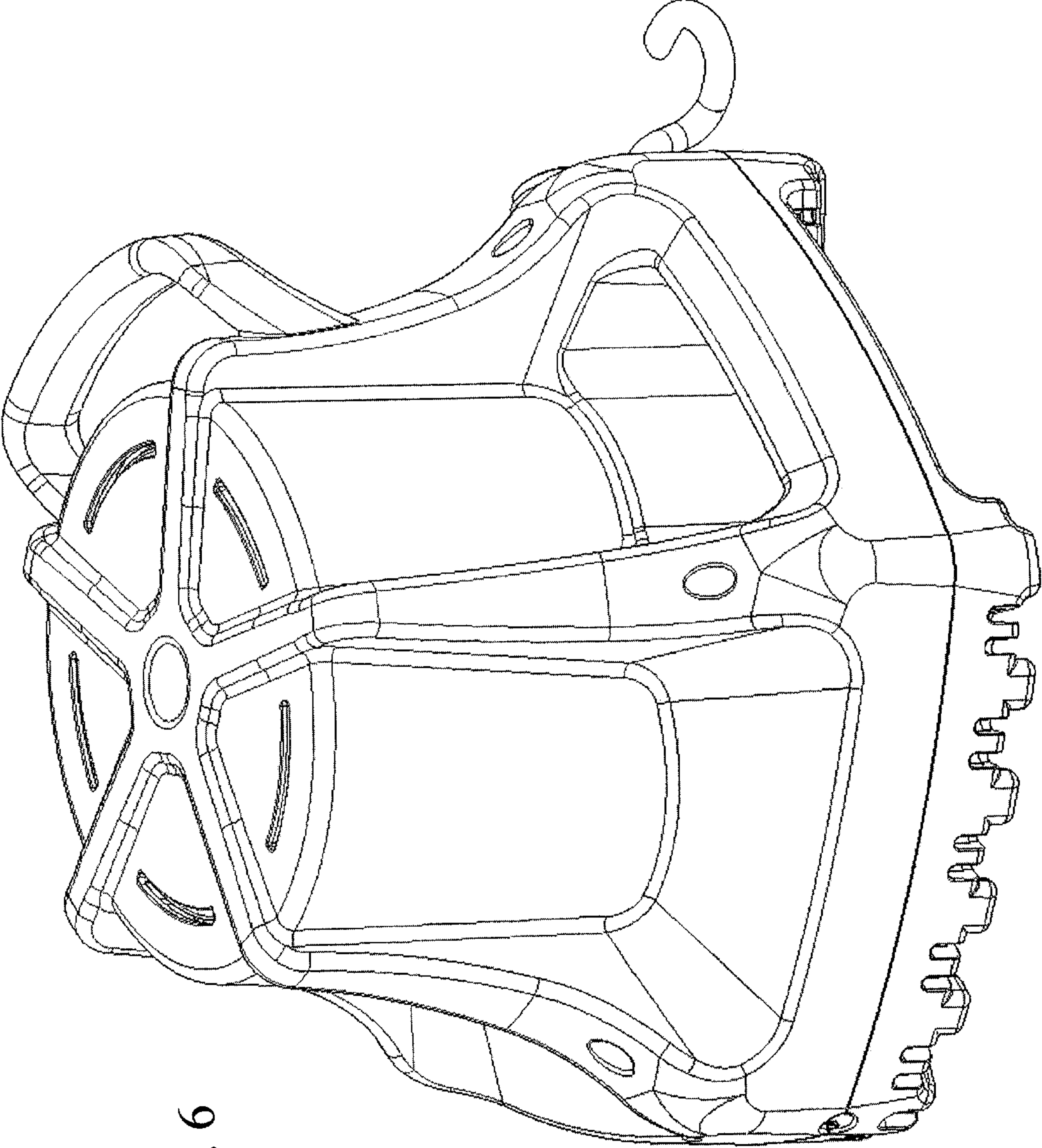


FIG. 6

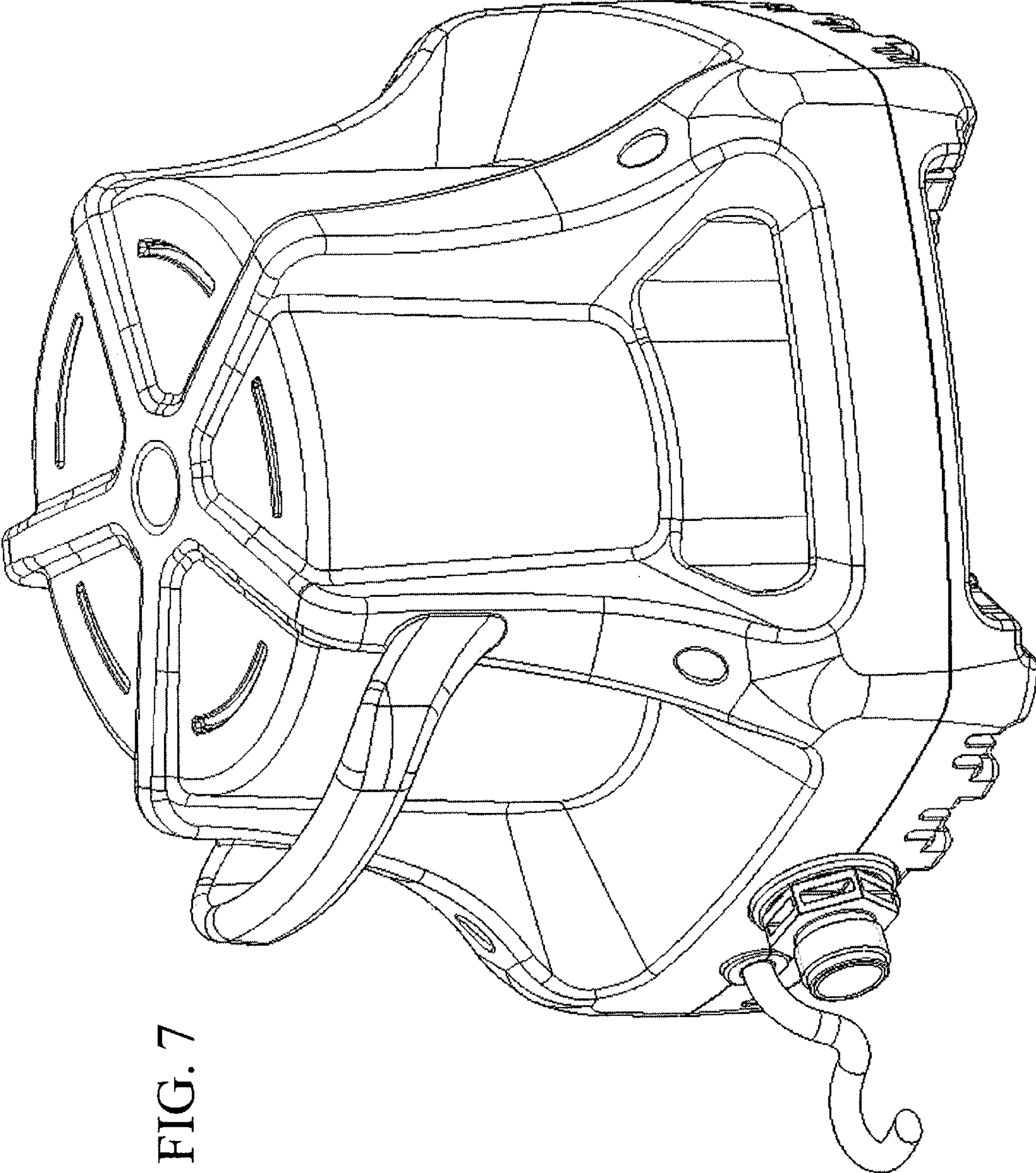


FIG. 7

UNITED STATES PATENT AND TRADEMARK OFFICE
CERTIFICATE OF CORRECTION

PATENT NO. : Des. 510,363 S
APPLICATION NO. : 29/202242
DATED : October 4, 2005
INVENTOR(S) : Michele Leone et al.

Page 1 of 1

It is certified that error appears in the above-identified patent and that said Letters Patent is hereby corrected as shown below:

On title page, insert -- (30) **Foreign Application Priority Data** September 26, 2003
(EM)000080144 --.

Signed and Sealed this

Fifteenth Day of August, 2006

A handwritten signature in black ink on a dotted background. The signature reads "Jon W. Dudas" in a cursive style.

JON W. DUDAS

Director of the United States Patent and Trademark Office