



US00D510358S

(12) **United States Design Patent**
Ezure

(10) **Patent No.:** **US D510,358 S**
(45) **Date of Patent:** **** Oct. 4, 2005**

(54) **SUPPORT FOR LAP TOP COMPUTER**

(75) Inventor: **Seiyo Ezure**, London (GB)

(73) Assignee: **Colebrook Bosson Saunders Products**,
London (GB)

(**) Term: **14 Years**

(21) Appl. No.: **29/198,807**

(22) Filed: **Feb. 4, 2004**

(30) **Foreign Application Priority Data**

Apr. 8, 2003 (EP) 68606

(51) **LOC (8) Cl.** **14-02**

(52) **U.S. Cl.** **D14/447**

(58) **Field of Search** D14/432, 455,
D14/447, 451, 345, 457-461; 248/126,
127, 130, 139, 456, 291.1, 346.01, 917-924,
346.03; 361/680-686

(56) **References Cited**

U.S. PATENT DOCUMENTS

D408,388 S * 4/1999 Wiggins D14/457
6,152,414 A * 11/2000 Jondrow 248/346.03
D494,167 S * 8/2004 Hirakawa et al. D14/345

* cited by examiner

Primary Examiner—Freda S. Nunn

(74) *Attorney, Agent, or Firm*—Carter, DeLuca, Farrell &
Schmidt LLP

(57) **CLAIM**

The ornamental design for a support for lap top computer, as
shown and described.

DESCRIPTION

FIG. 1 is a perspective view of a support for a lap top

computer in accordance with an embodiment of the present
design, shown in a first condition;

FIG. 2 is a top plan view of the support for lap top computer
of FIG. 1;

FIG. 3 is a left side elevational view of the support for lap
top computer of FIGS. 1 and 2, the right side elevational
view being a mirror image of the left side elevational view;

FIG. 4 is a rear elevational view of the support for lap top
computer of FIGS. 1-3;

FIG. 5 is a front elevational view of the support for lap top
computer of FIGS. 1-4;

FIG. 6 is a bottom plan view of the support for lap top
computer of FIGS. 1-5;

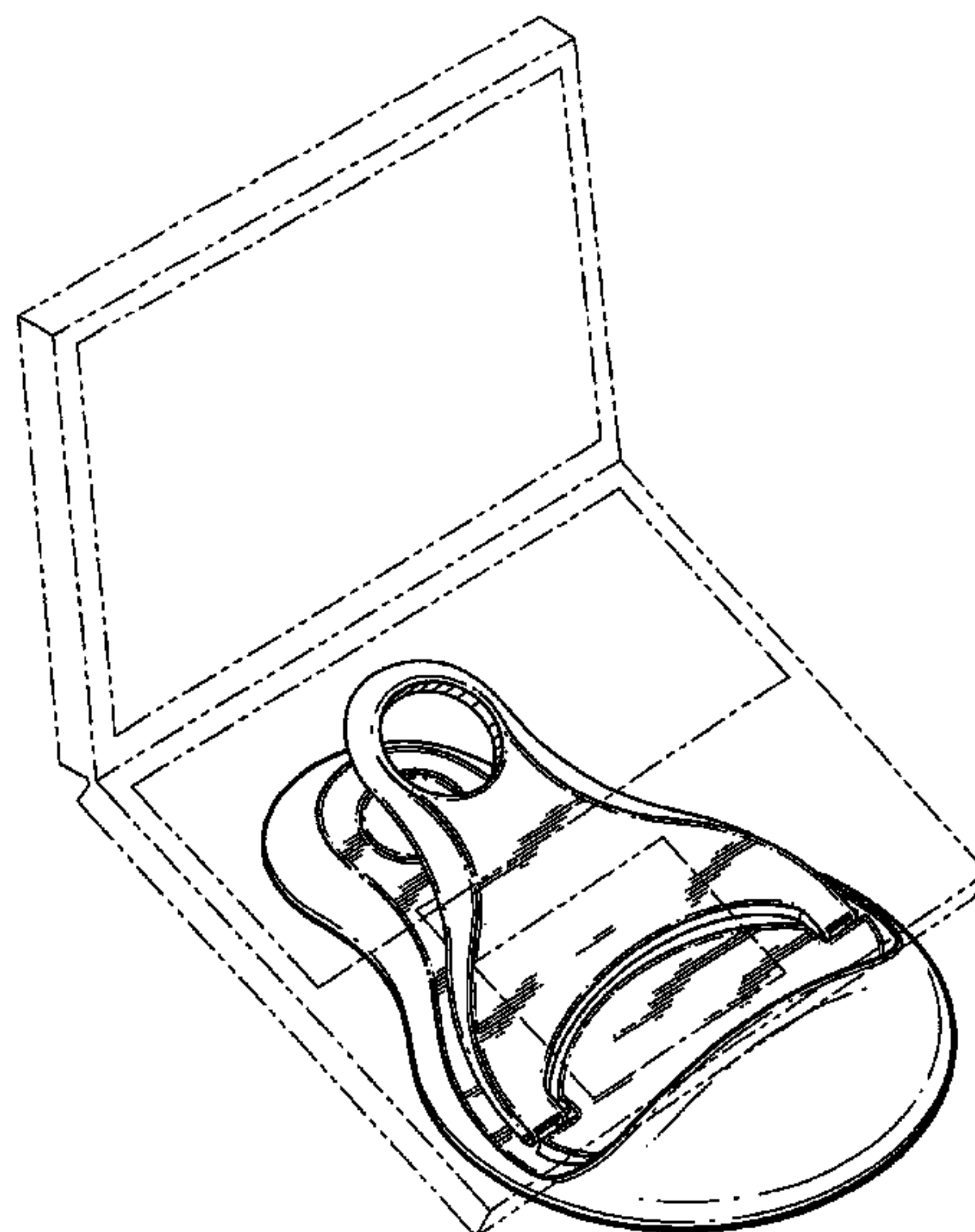
FIG. 7 a perspective view of the support for lap top computer
of FIGS. 1-6 including a lap top computer, shown in
phantom, supported thereon;

FIG. 8 is a side elevational view of the support for lap top
computer of FIGS. 1-7 shown in a second configuration;
and,

FIG. 9 is a perspective view of the support for lap top
computer of FIG. 8.

In FIGS. 2-4, 7 and 9, the features of the support for lap top
computer, shown in phantom lines, are for illustrative pur-
poses only and do not constitute a part of the claimed design.
In particular, in FIG. 7, the lap top computer supported on
the support for lap top computer of the present disclosure is
shown in phantom for illustrative purposes only and does
not constitute a part of the claimed design.

1 Claim, 6 Drawing Sheets



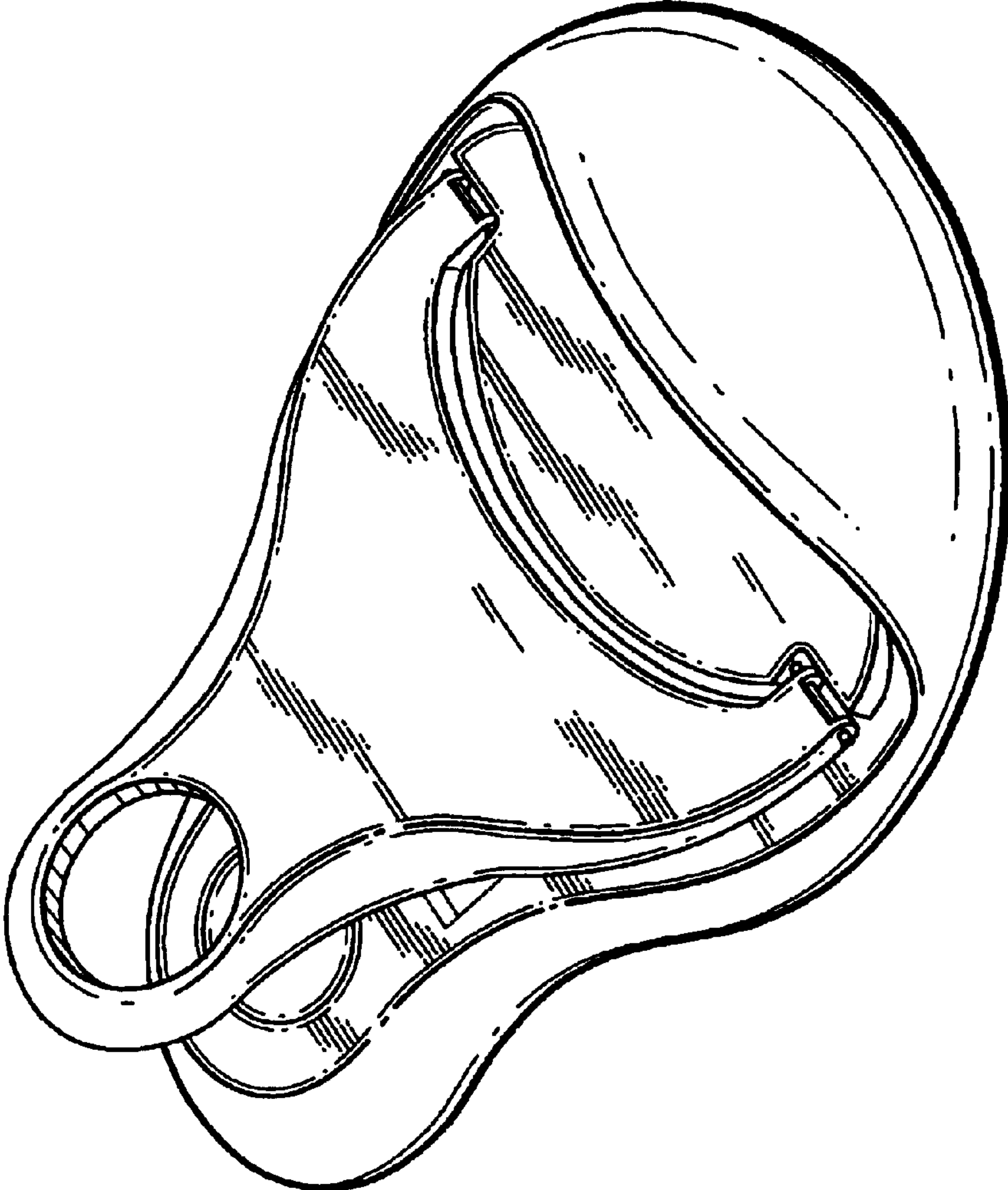


FIG. 1

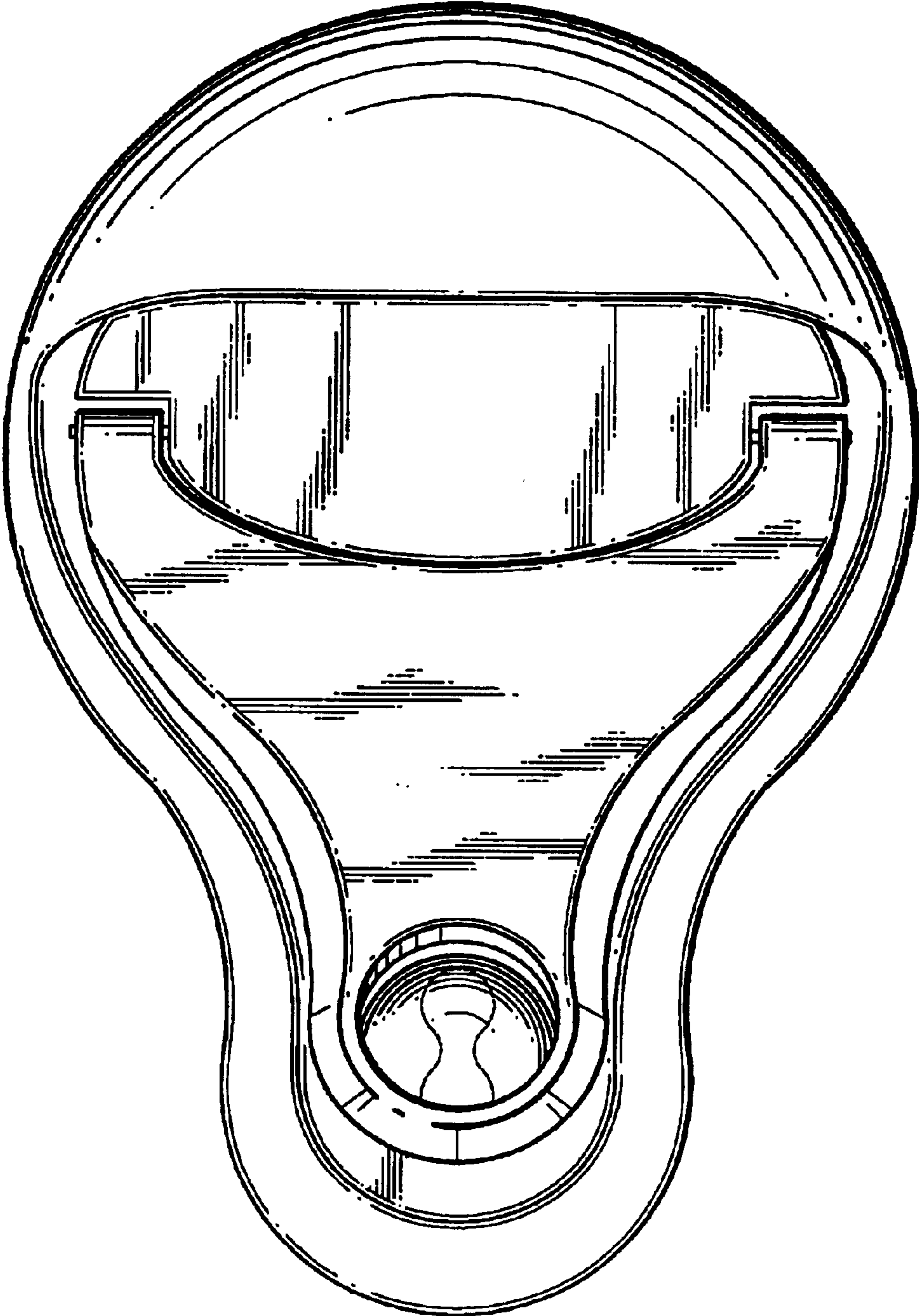


FIG. 2

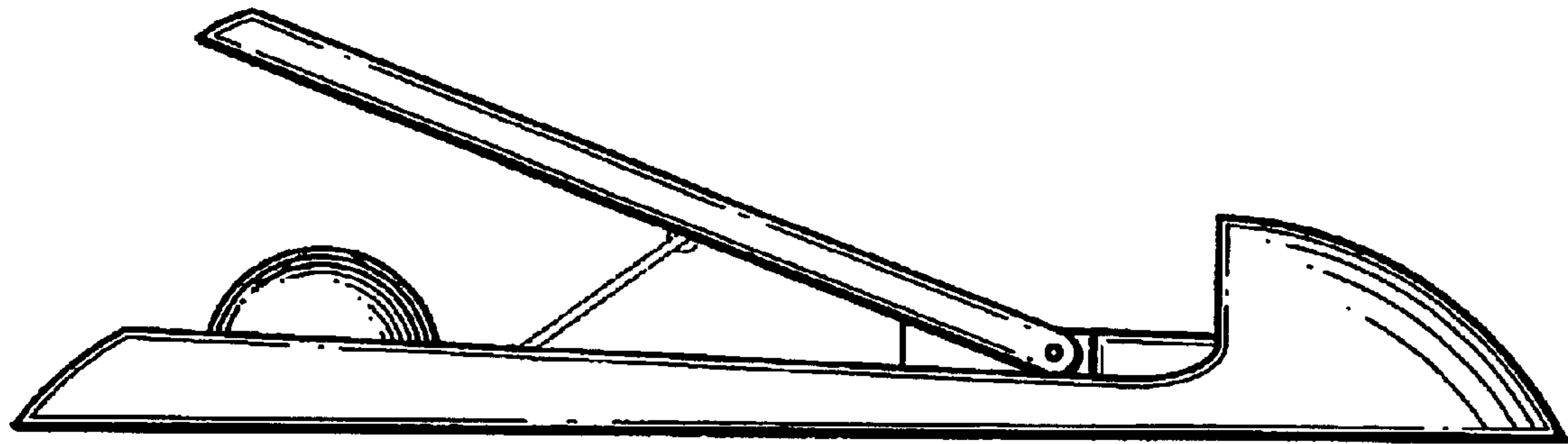


FIG. 3

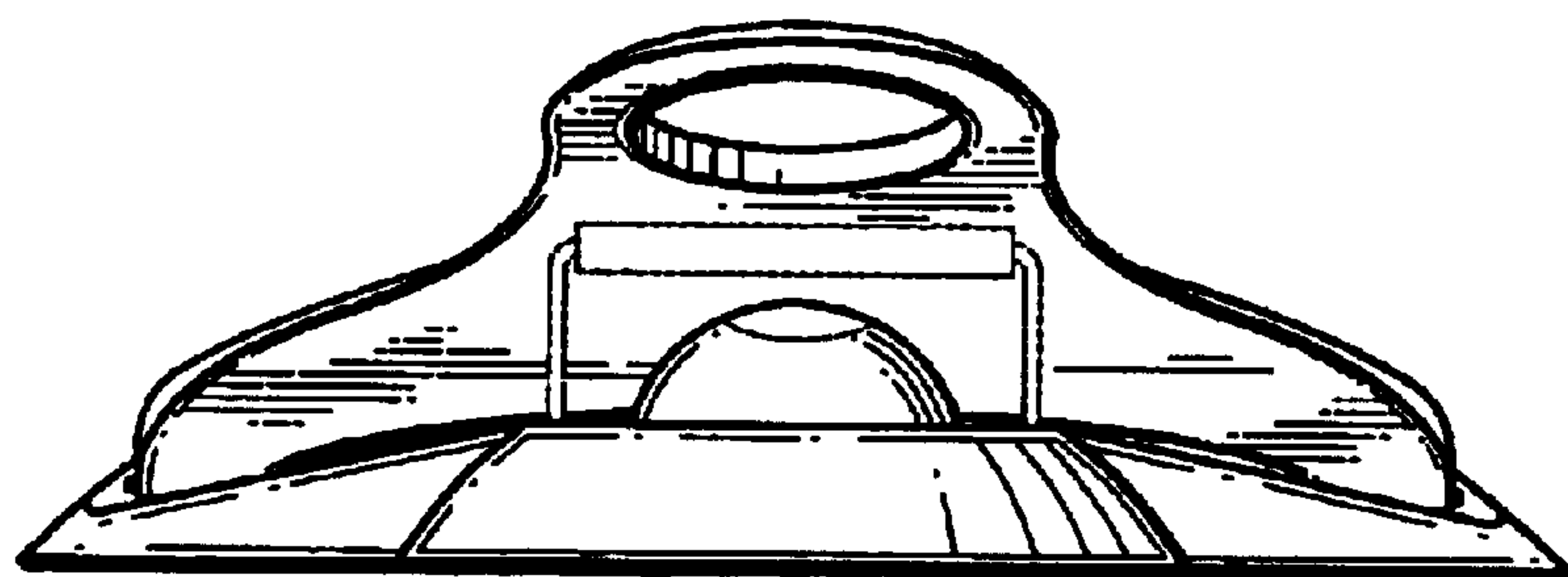


FIG. 4

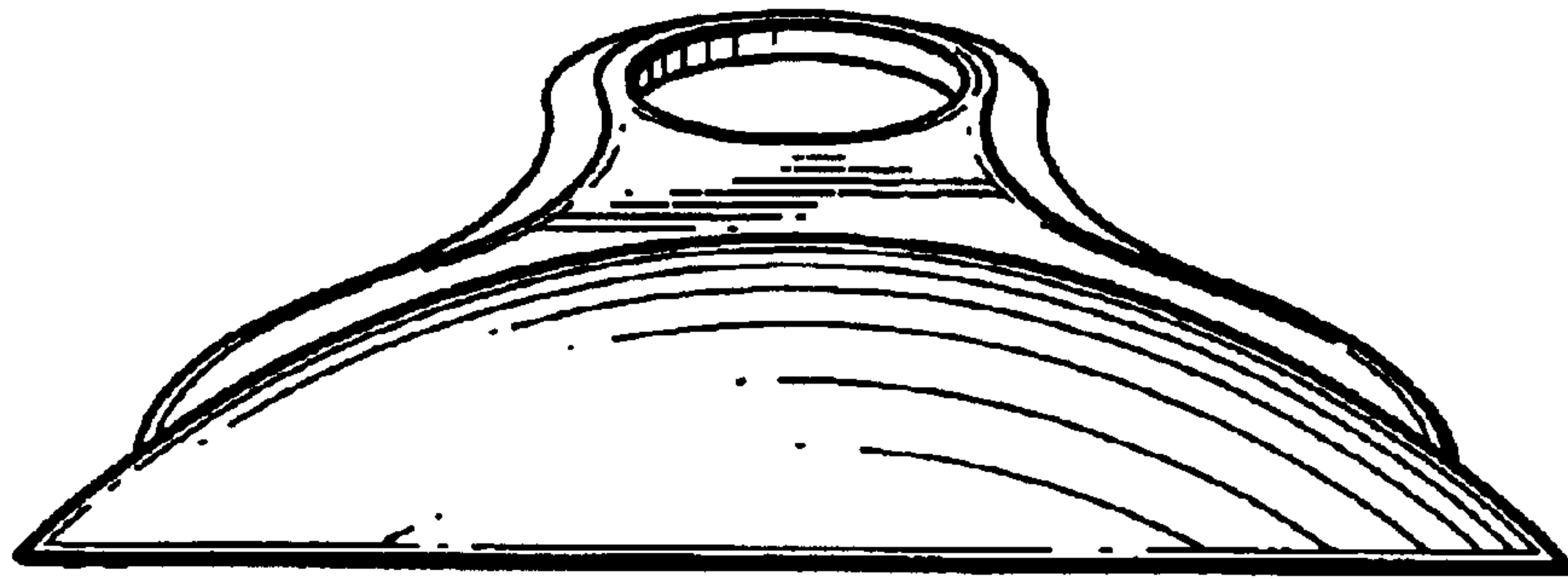


FIG. 5

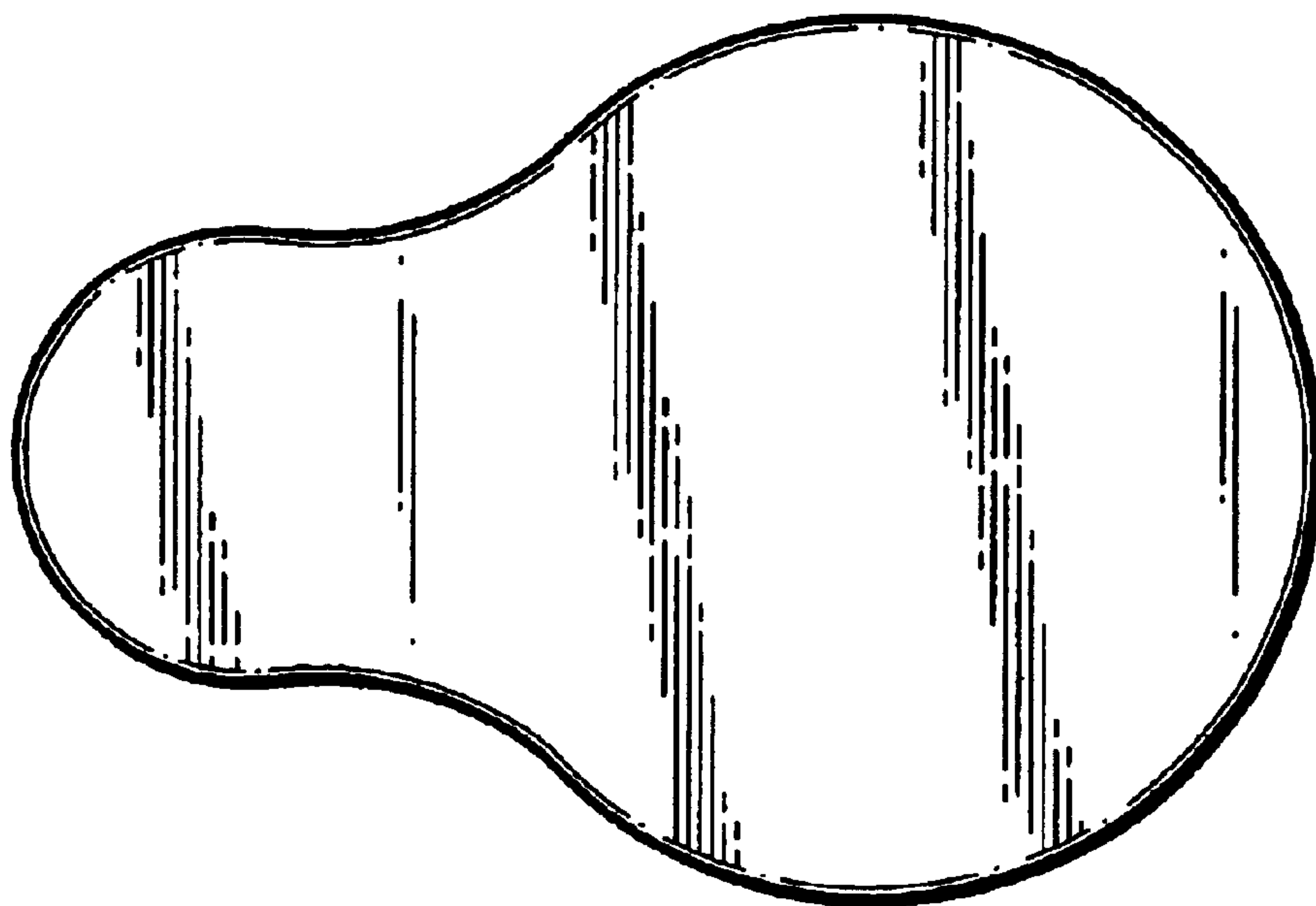


FIG. 6

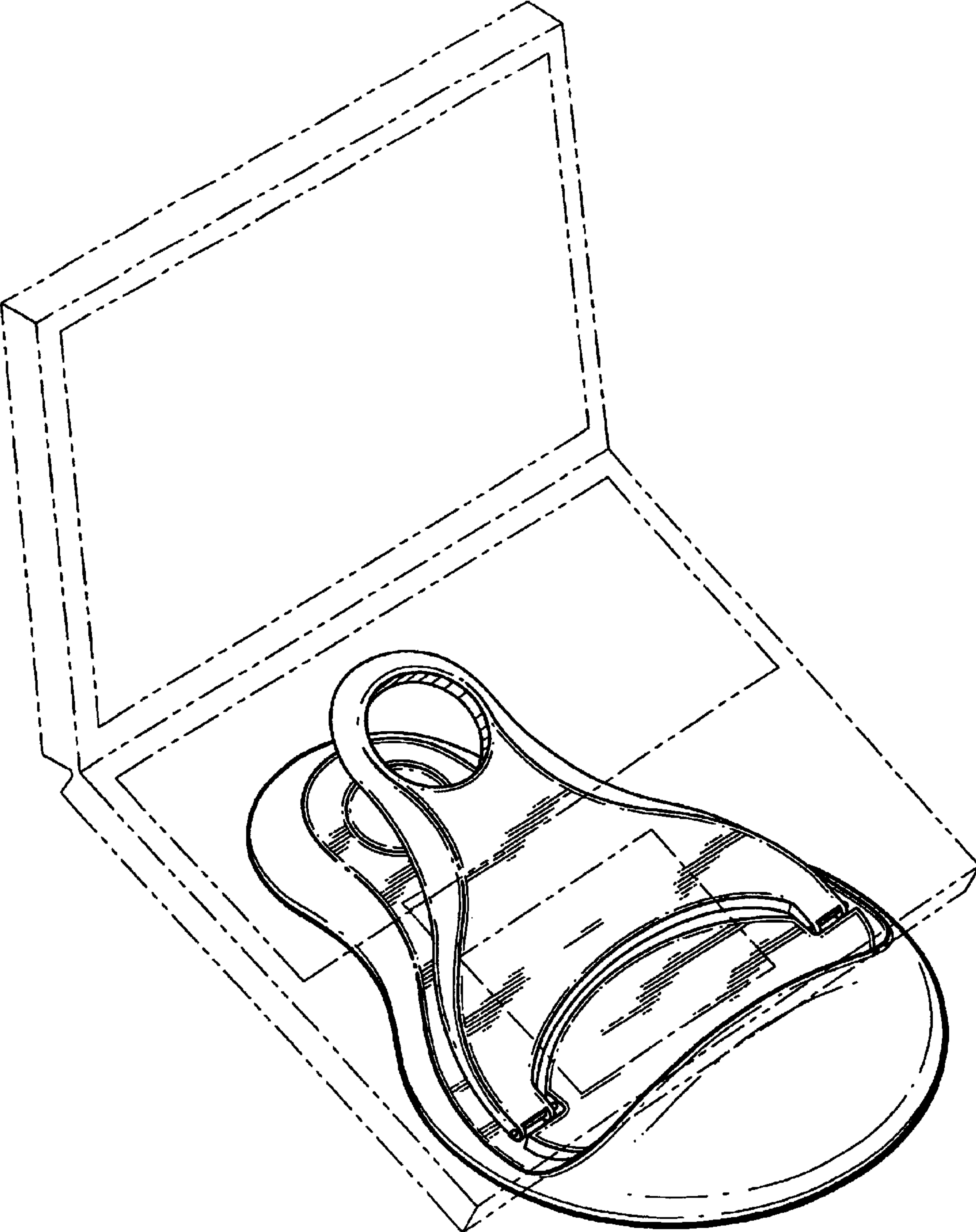


FIG. 7

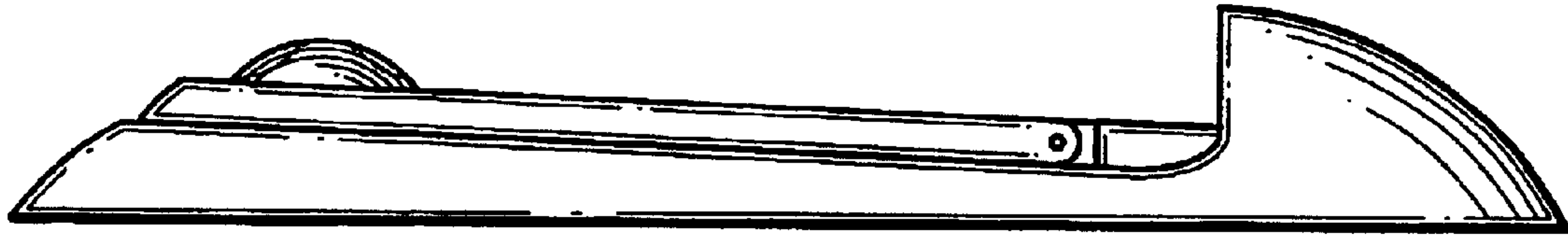


FIG. 8

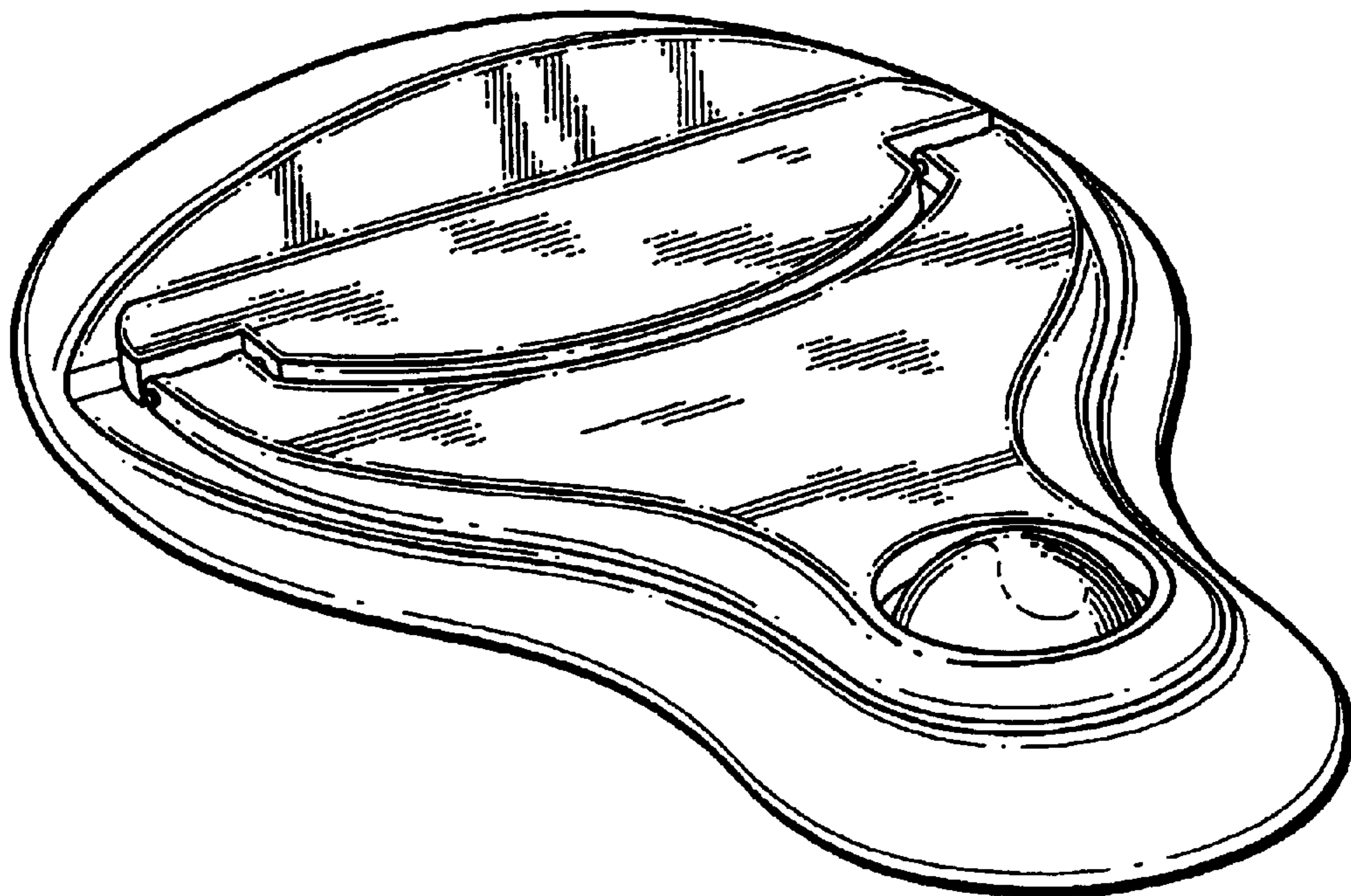


FIG. 9