



US00D510357S

(12) **United States Design Patent**
Lye

(10) **Patent No.:** **US D510,357 S**
(45) **Date of Patent:** **** Oct. 4, 2005**

(54) **LAPTOP STAND**

6,152,414 A * 11/2000 Jondrow 248/346.03

(76) **Inventor:** **Kok Hong Lye**, 364, 11th St., San Francisco, CA (US) 94103

* cited by examiner

Primary Examiner—Freda S. Nunn

(**) **Term:** **14 Years**

(57) **CLAIM**

(21) **Appl. No.:** **29/197,598**

The ornamental design for a laptop stand, as shown.

(22) **Filed:** **Jan. 20, 2004**

DESCRIPTION

(51) **LOC (8) Cl.** **14-02**

FIG. 1 is a perspective view of a laptop stand showing my new design;

(52) **U.S. Cl.** **D14/447**

FIG. 2 is a right side elevational view thereof;

(58) **Field of Search** D14/432, 455,

FIG. 3 is a top plan view thereof;

D14/447, 451, 457-461; 248/126, 127,

FIG. 4 is a left side elevational view thereof.

130, 139, 456, 291.1, 346.01, 917-924,

FIG. 5 is a front view thereof; and,

346.03; 361/680-686

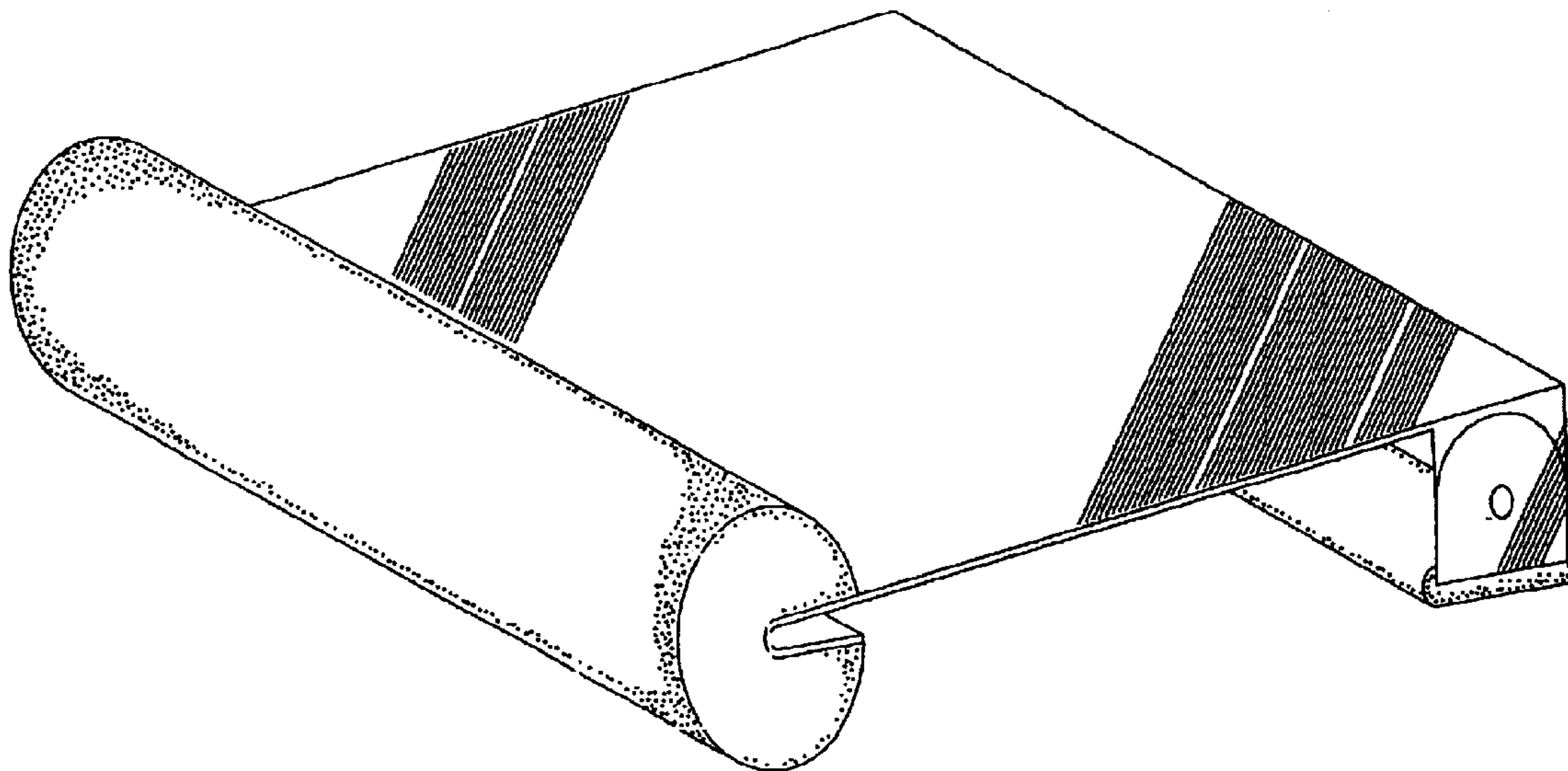
FIG. 6 is a back view thereof.

(56) **References Cited**

U.S. PATENT DOCUMENTS

D408,388 S * 4/1999 Wiggins D14/457

1 Claim, 3 Drawing Sheets



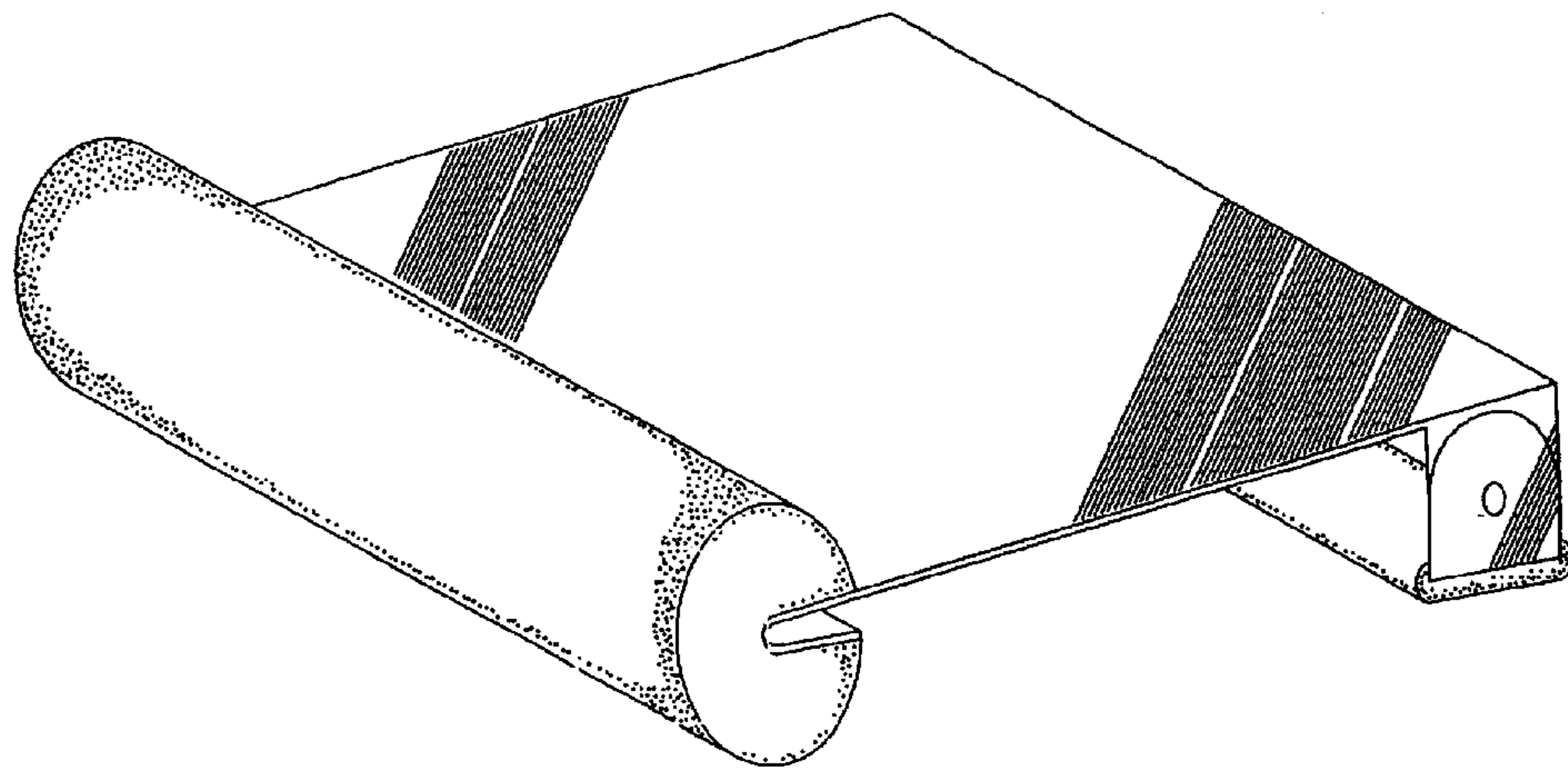


Fig. 1

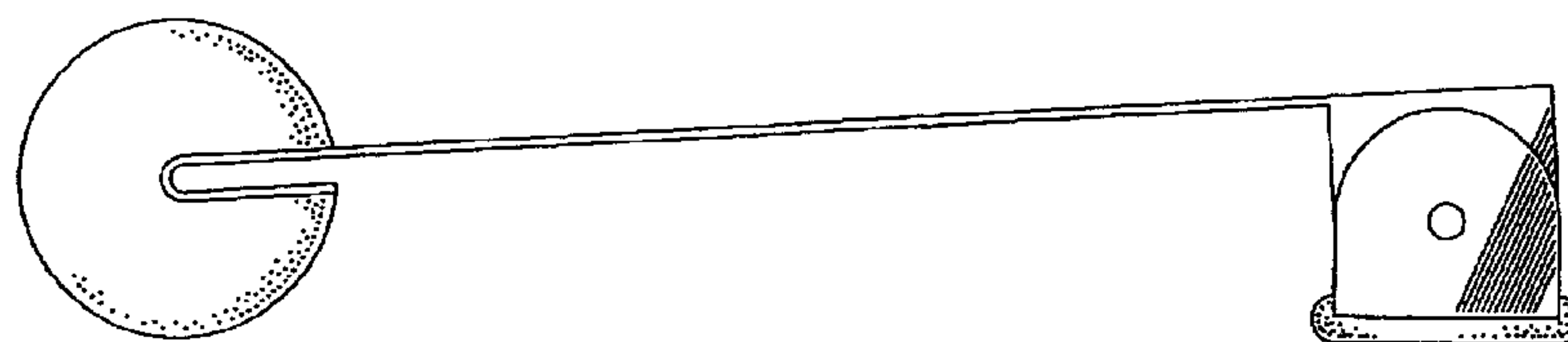


Fig. 2

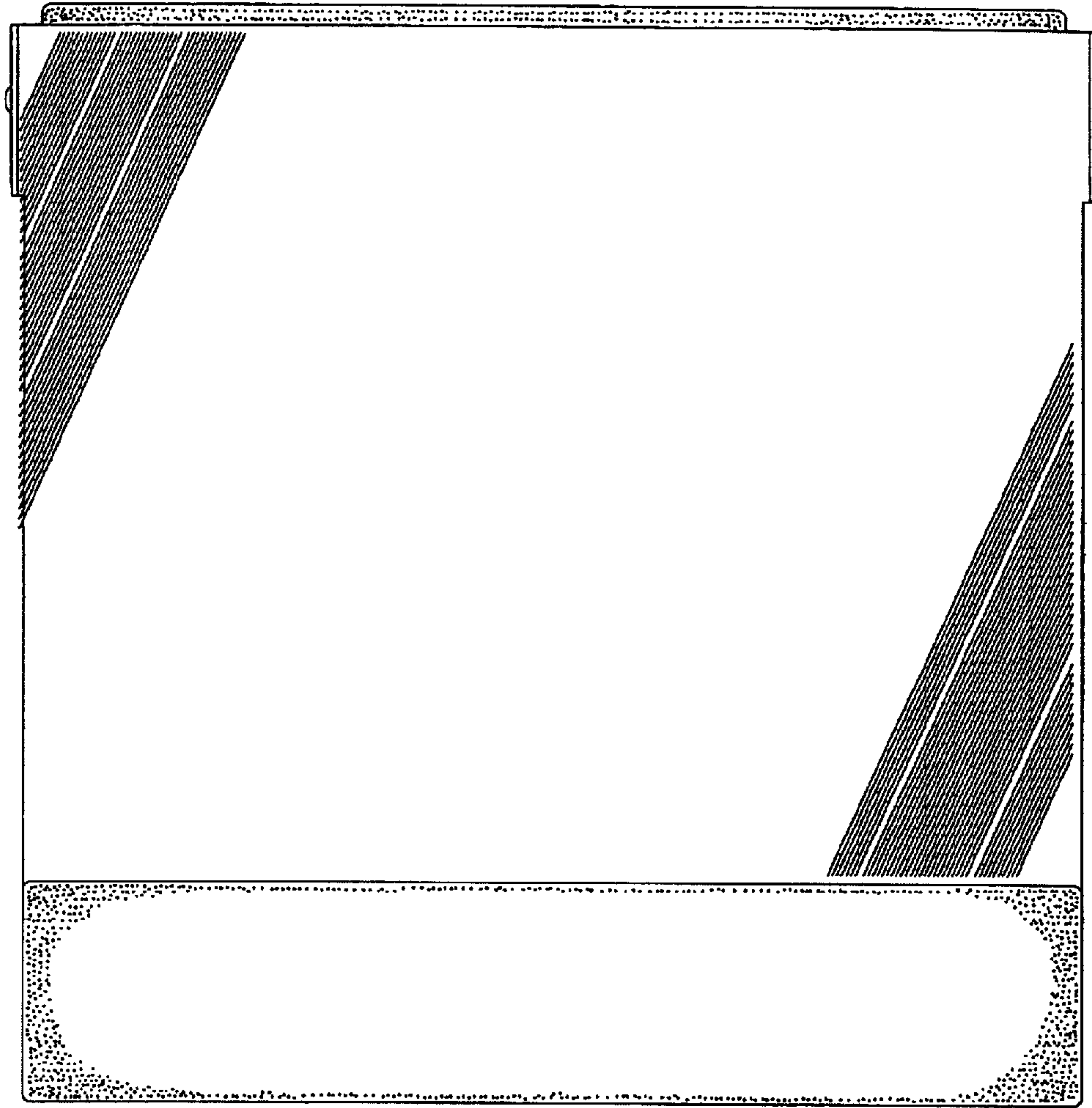


Fig. 3

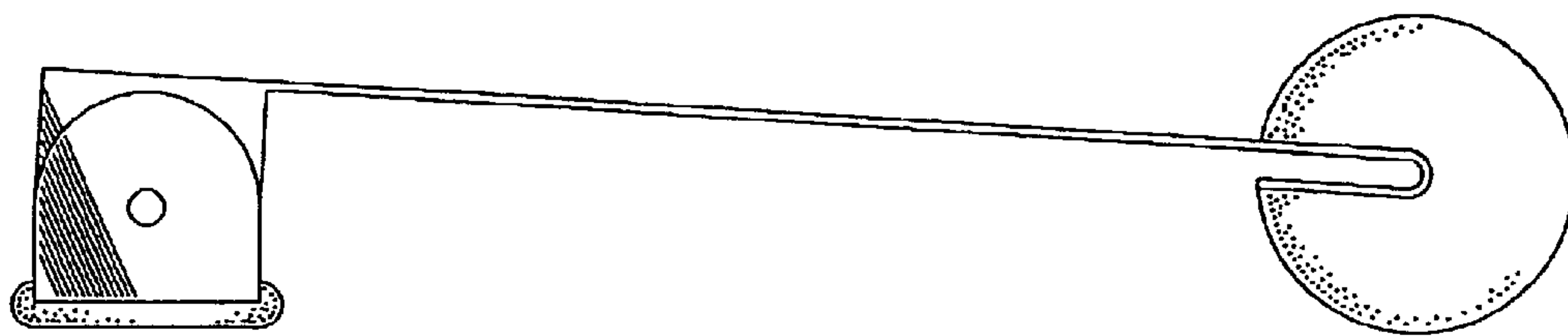


Fig. 4

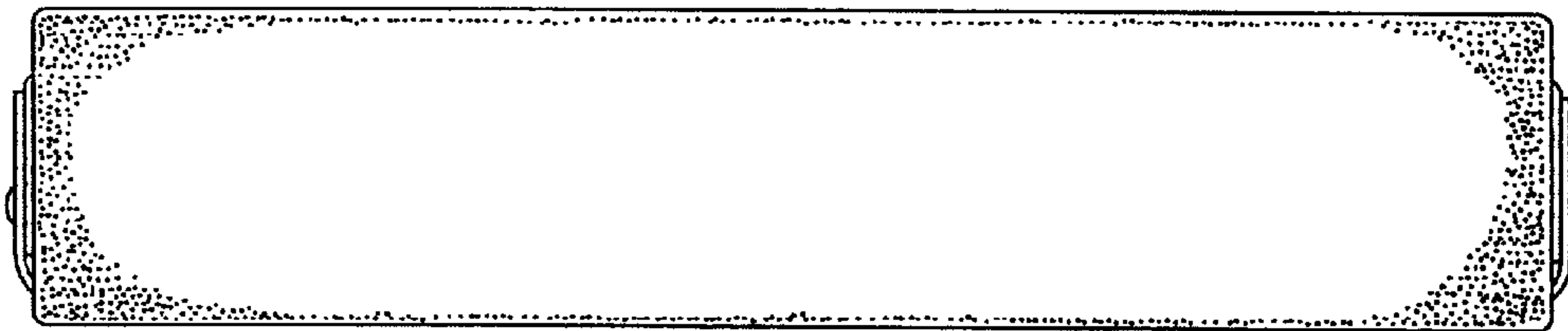


Fig. 5

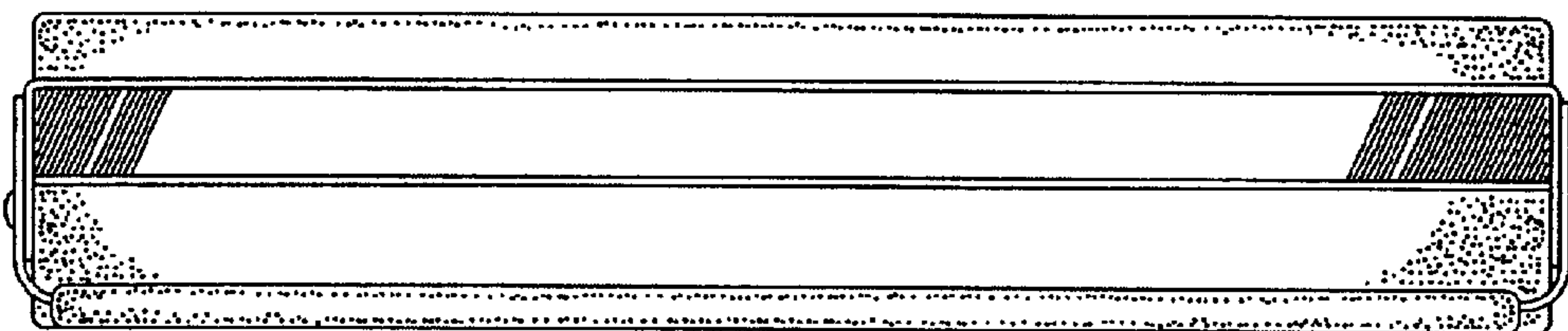


Fig. 6