



US00D510356S

(12) **United States Design Patent**
Chen et al.

(10) **Patent No.:** **US D510,356 S**

(45) **Date of Patent:** **** Oct. 4, 2005**

(54) **COMPUTER FRONT BEZEL**

D440,572 S * 4/2001 Jean et al. D14/445
D485,844 S * 1/2004 Chen et al. D14/442

(75) Inventors: **Yun Lung Chen**, Tu-chen (TW);
BinRan Li, Shenzhen (CN); **Zhi Zhou**,
Shenzhen (CN)

* cited by examiner

Primary Examiner—Freda S. Nunn
(74) *Attorney, Agent, or Firm*—Wei Te Chung

(73) Assignee: **Hon Hai Precision Ind. Co., Ltd.**,
Taipei Hsien (TW)

(57) **CLAIM**

(**) Term: **14 Years**

The ornamental design for a computer front bezel, as shown and described.

(21) Appl. No.: **29/210,165**

DESCRIPTION

(22) Filed: **Jul. 27, 2004**

(30) **Foreign Application Priority Data**

Apr. 8, 2004 (CN) 200430038122

FIG. 1 is a perspective view of a computer front bezel of our new design;

(51) **LOC (8) Cl.** **14-02**

FIG. 2 is a front elevational view thereof;

(52) **U.S. Cl.** **D14/445**

FIG. 3 is a rear elevational view thereof;

(58) **Field of Search** D14/313, 314,

FIG. 4 is a left side elevational view thereof;

D14/365-369, 441-446; D13/162, 184,
199; 312/223.2; 361/680-686, 690-696;
369/34.01, 36.01; 360/99.01-99.12

FIG. 5 is a right side elevational view thereof;

FIG. 6 is a top plan view thereof;

FIG. 7 is a bottom plan view thereof; and,

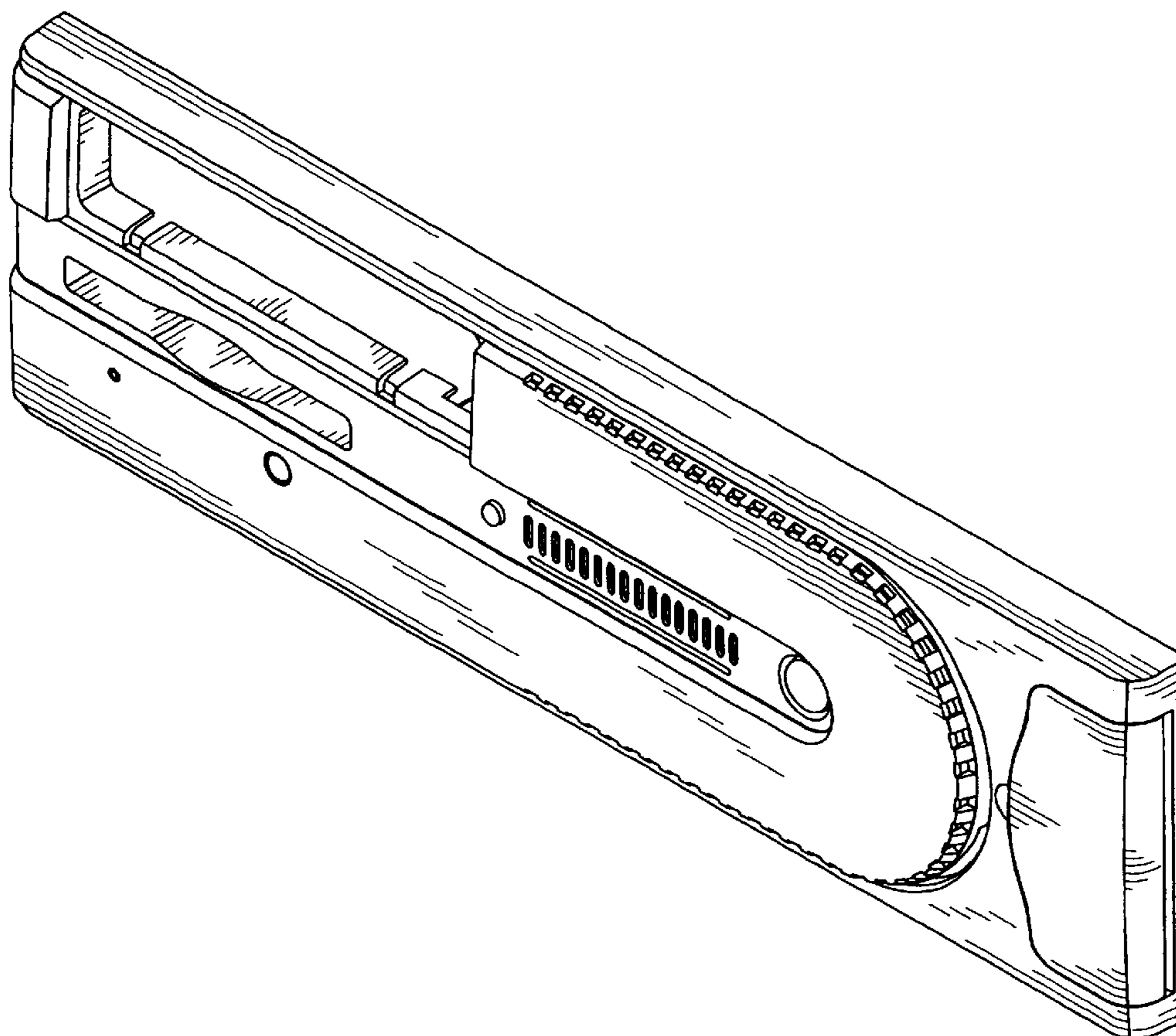
FIG. 8 is a perspective view thereof being mounted to a computer case, wherein the computer case is shown in broken lines for illustrative purposes only and form no part of the claimed design.

(56) **References Cited**

U.S. PATENT DOCUMENTS

D363,477 S * 10/1995 Tinsley et al. D14/445

1 Claim, 6 Drawing Sheets



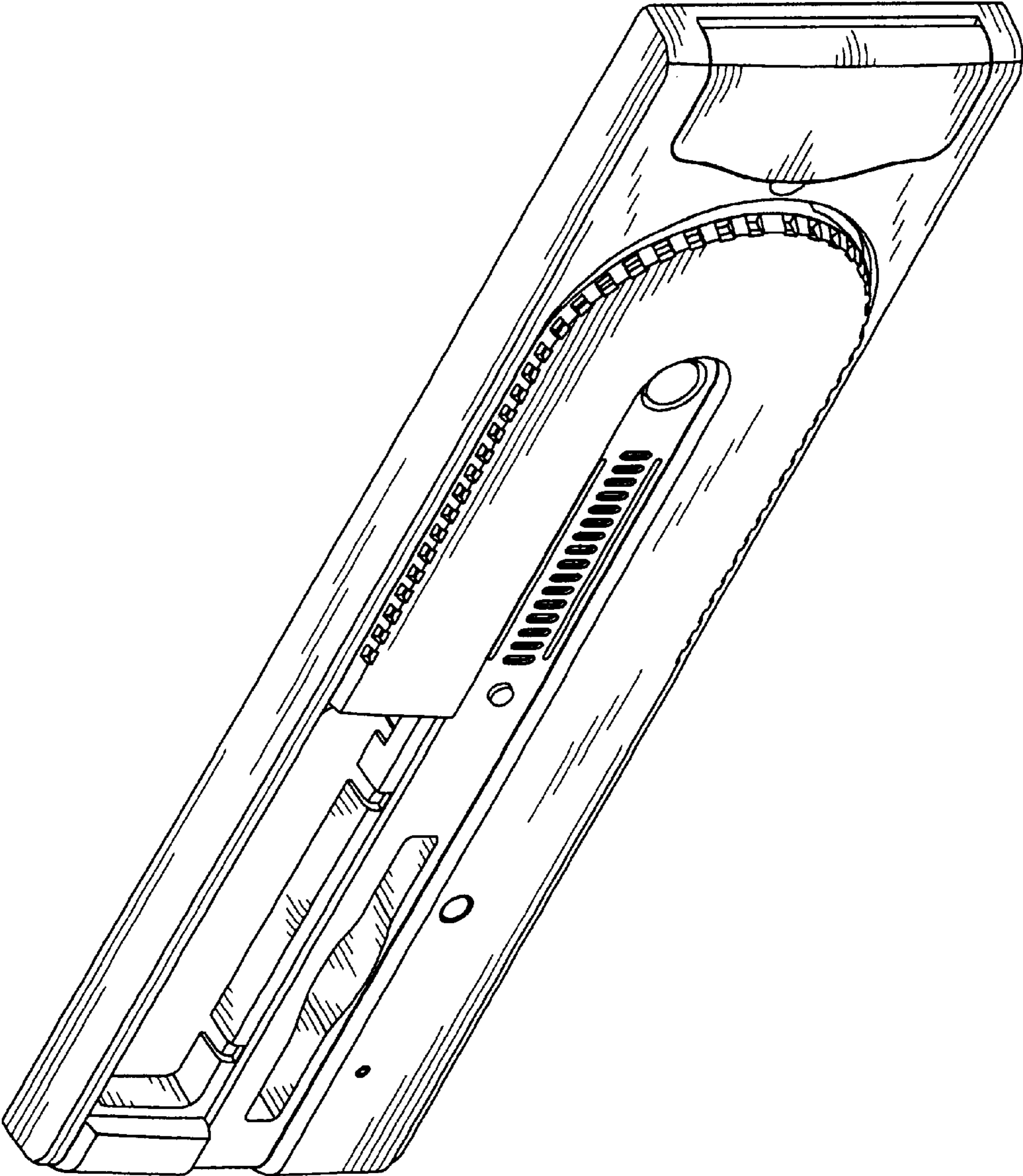


FIG. 1

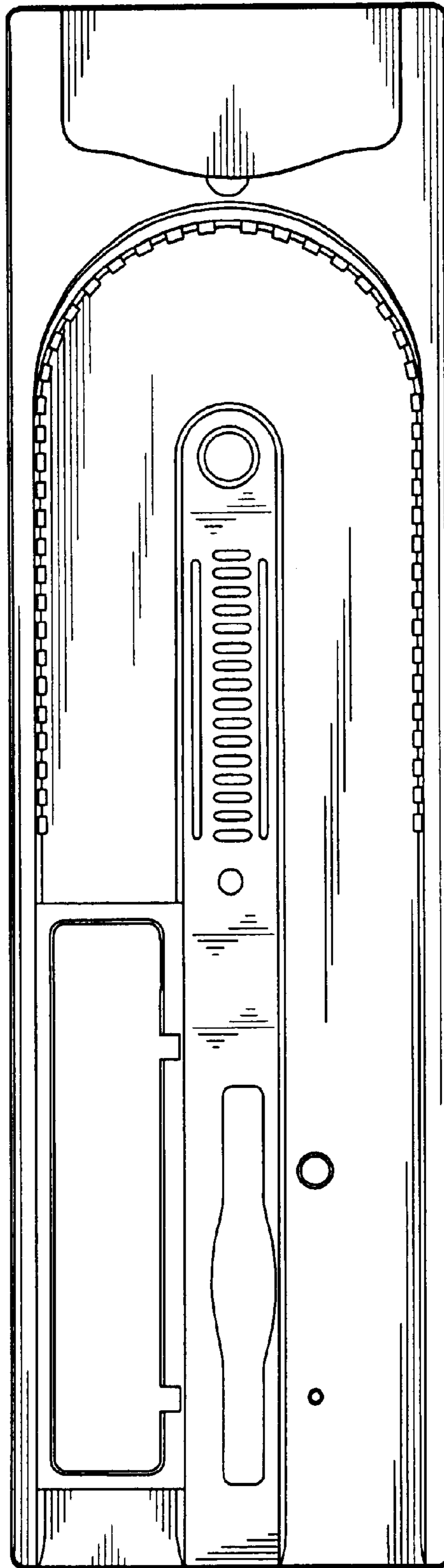


FIG. 2

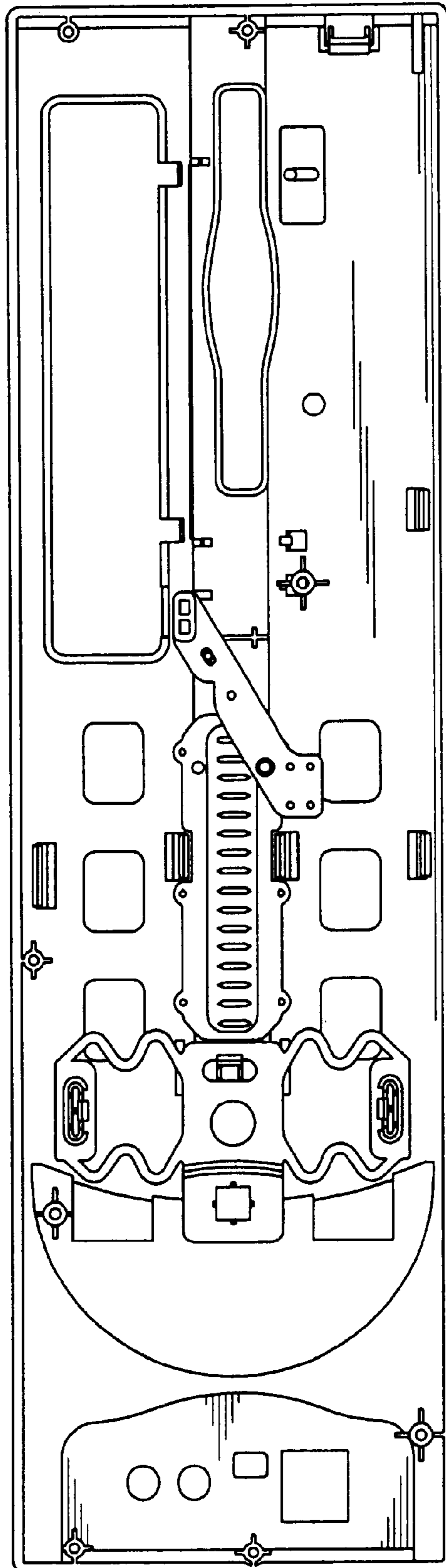


FIG. 3

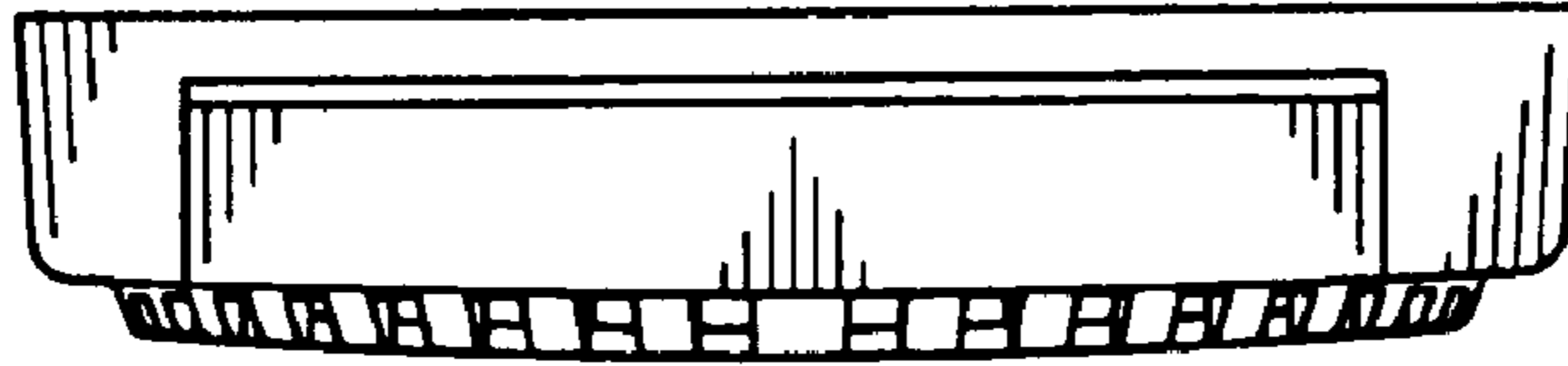


FIG. 5

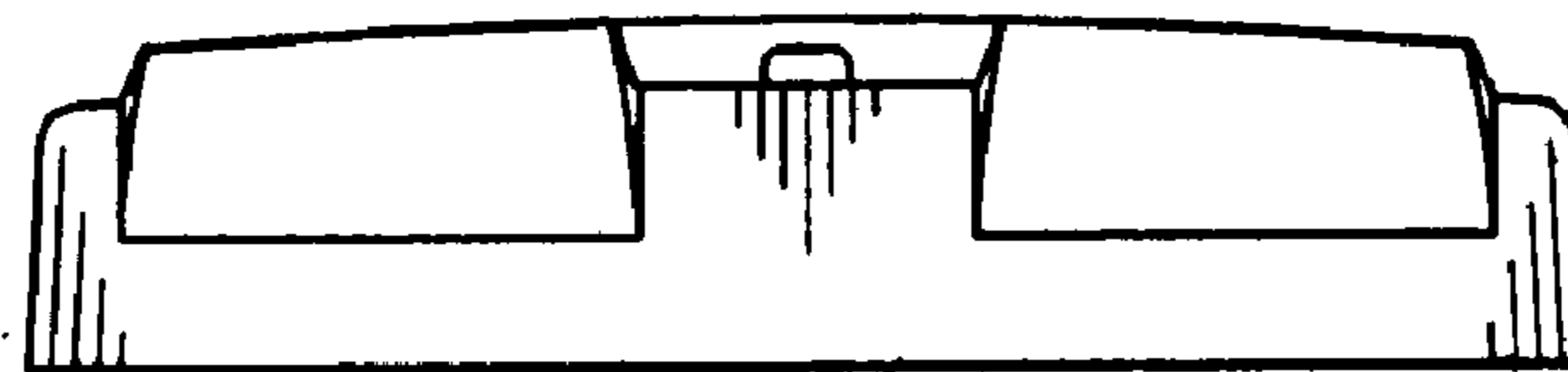


FIG. 4

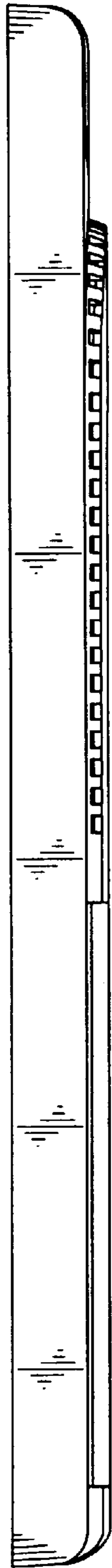


FIG. 6

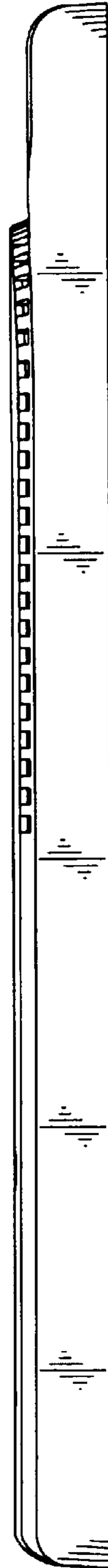


FIG. 7

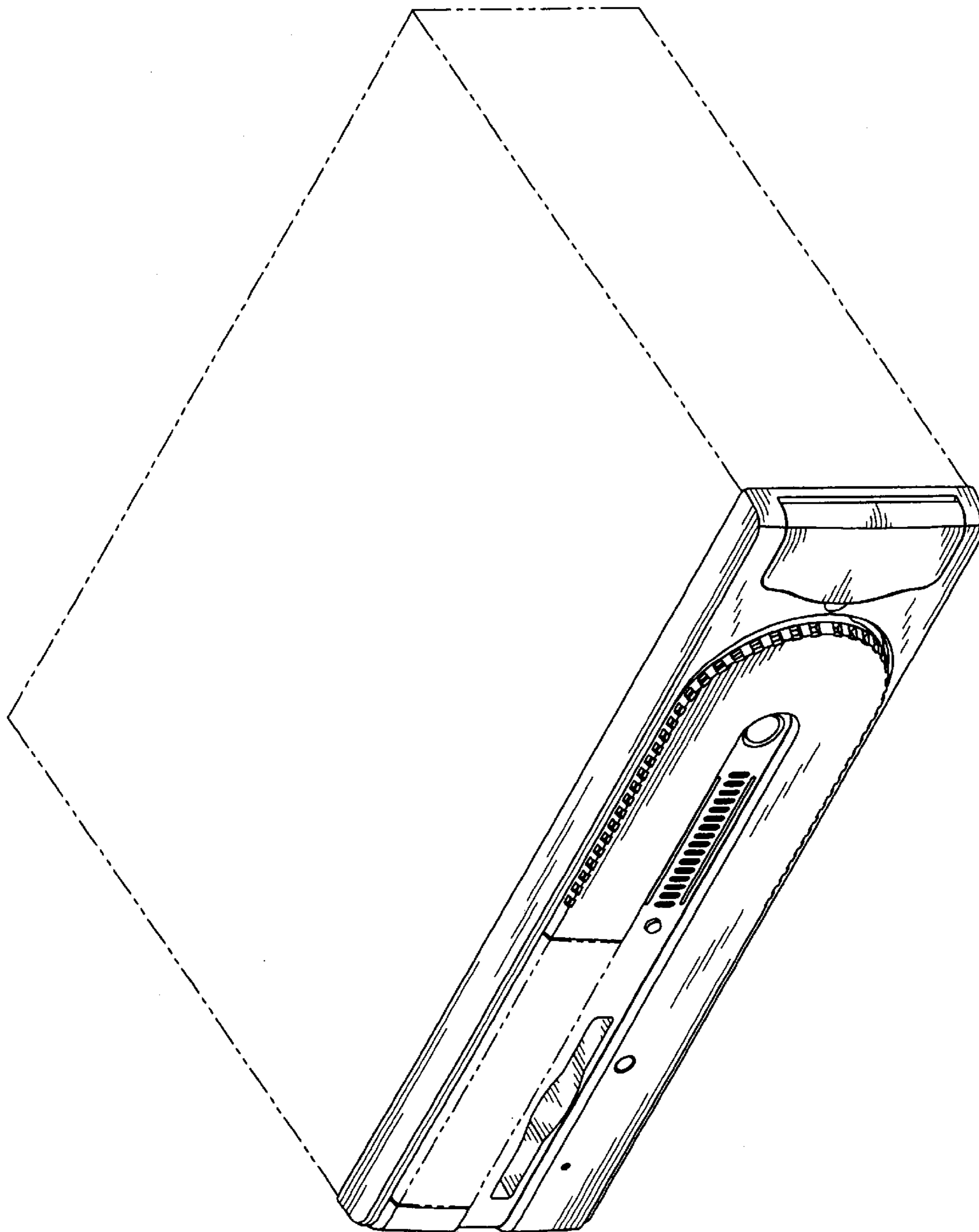


FIG. 8