



US00D510351S

(12) **United States Design Patent**  
**Choi**

(10) **Patent No.:** **US D510,351 S**

(45) **Date of Patent:** **\*\* Oct. 4, 2005**

(54) **LIQUID CRYSTAL DISPLAY**

D464,650 S \* 10/2002 Sun ..... D14/375  
D474,163 S \* 5/2003 Araki ..... D14/126

(75) **Inventor:** **Ka Yuen Choi, Yuen Long (HK)**

\* cited by examiner

(73) **Assignee:** **Lite-On Technology Corporation,**  
**Taipei (TW)**

*Primary Examiner*—Freda S. Nunn  
(74) *Attorney, Agent, or Firm*—Birch, Stewart, Kolasch &  
Birch, LLP

(\*\*) **Term:** **14 Years**

(57) **CLAIM**

(21) **Appl. No.:** **29/208,230**

The ornamental design for a “liquid crystal display,” as shown and described.

(22) **Filed:** **Jun. 28, 2004**

(51) **LOC (8) Cl. .... 14-02**

(52) **U.S. Cl. .... D14/371**

(58) **Field of Search** ..... D14/336, 337,  
D14/371–375, 125–129; 248/917–924;  
341/12; 345/104, 156, 168, 173, 901–905,  
87; 348/180, 184, 325, 739; 349/1, 2, 11,  
62; D20/10

**DESCRIPTION**

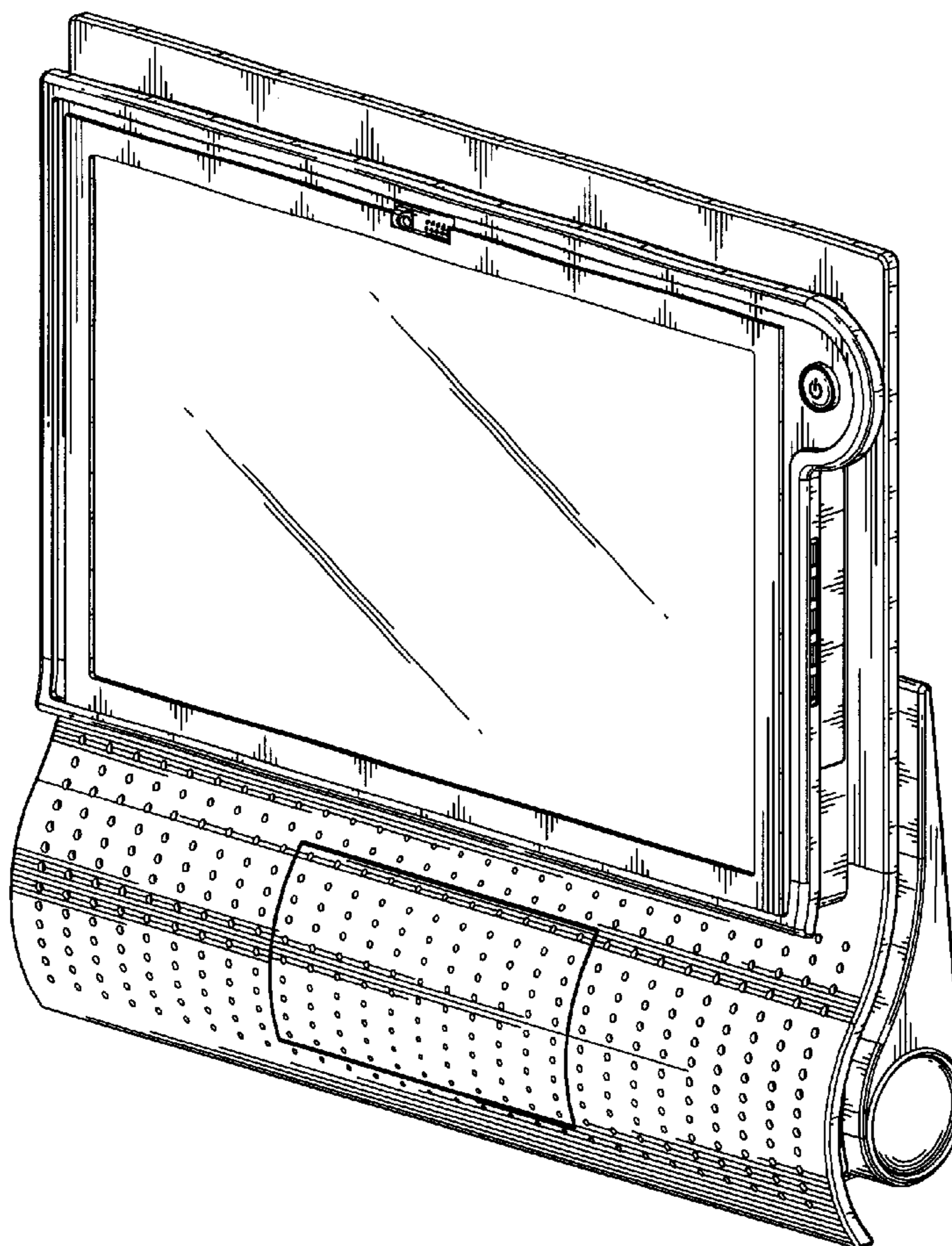
FIG. 1 is a perspective view of a “liquid crystal display” showing my new design;  
FIG. 2 is a front view thereof;  
FIG. 3 is a rear view thereof;  
FIG. 4 is a left side view thereof;  
FIG. 5 is a right side view thereof;  
FIG. 6 is a top view thereof;  
FIG. 7 is a bottom view thereof; and,  
FIG. 8 is a perspective view thereof, when the stand is unfolded.

(56) **References Cited**

**U.S. PATENT DOCUMENTS**

D313,431 S \* 1/1991 Jaskiel et al. .... D20/10  
D411,180 S \* 6/1999 Vossoughi et al. .... D14/337  
D448,769 S \* 10/2001 Jung ..... D14/374

**1 Claim, 6 Drawing Sheets**



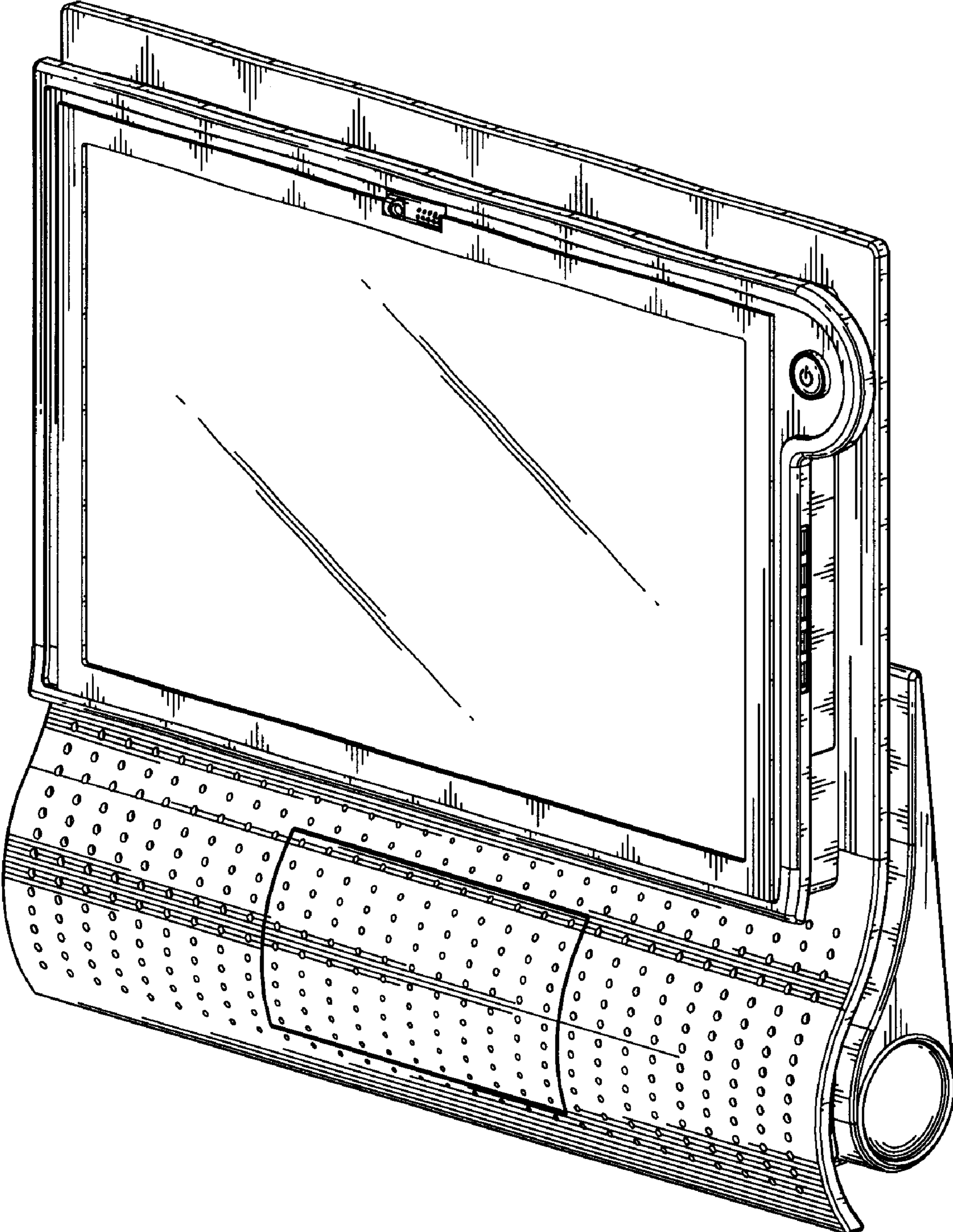


FIG. 1

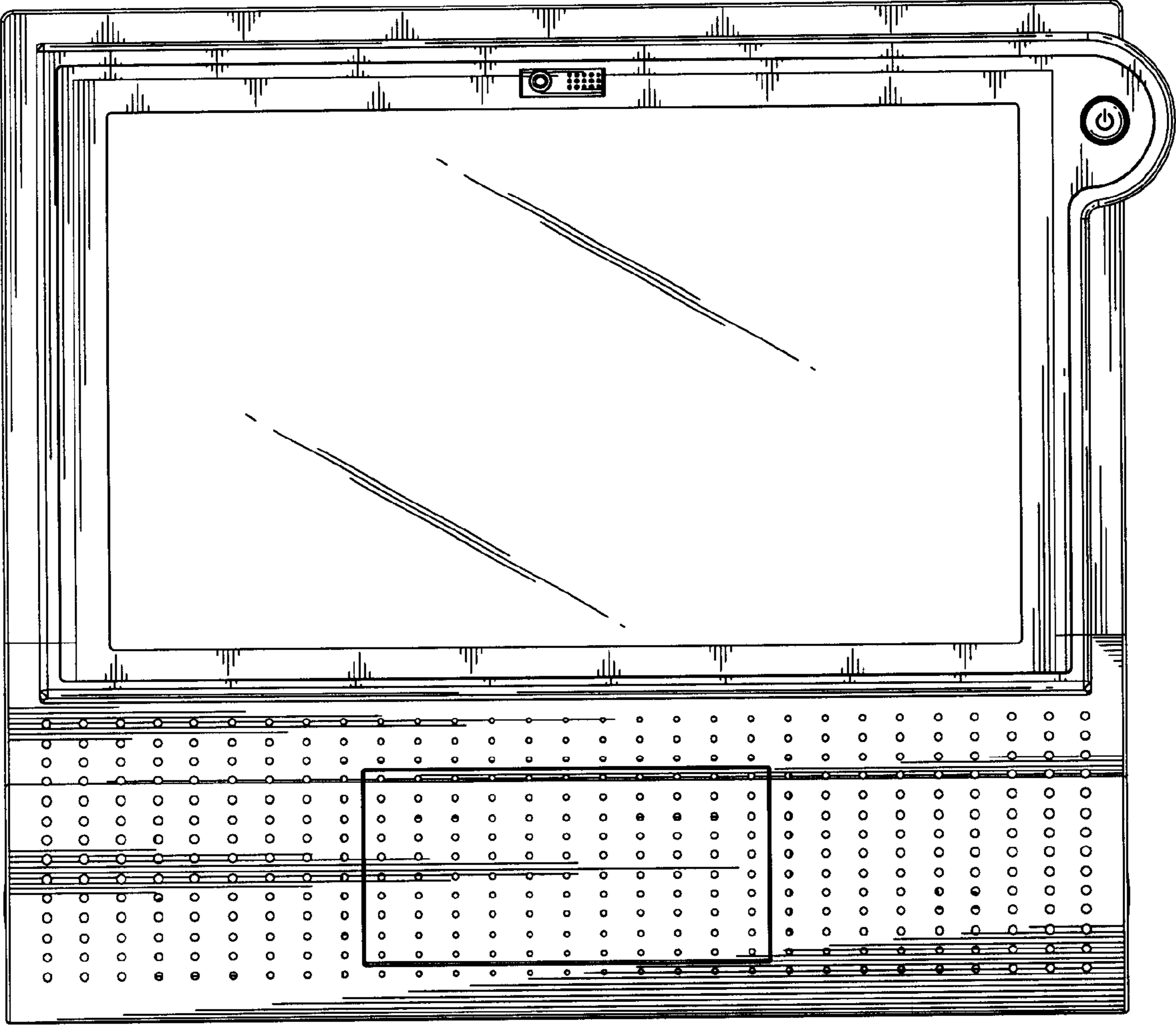


FIG. 2

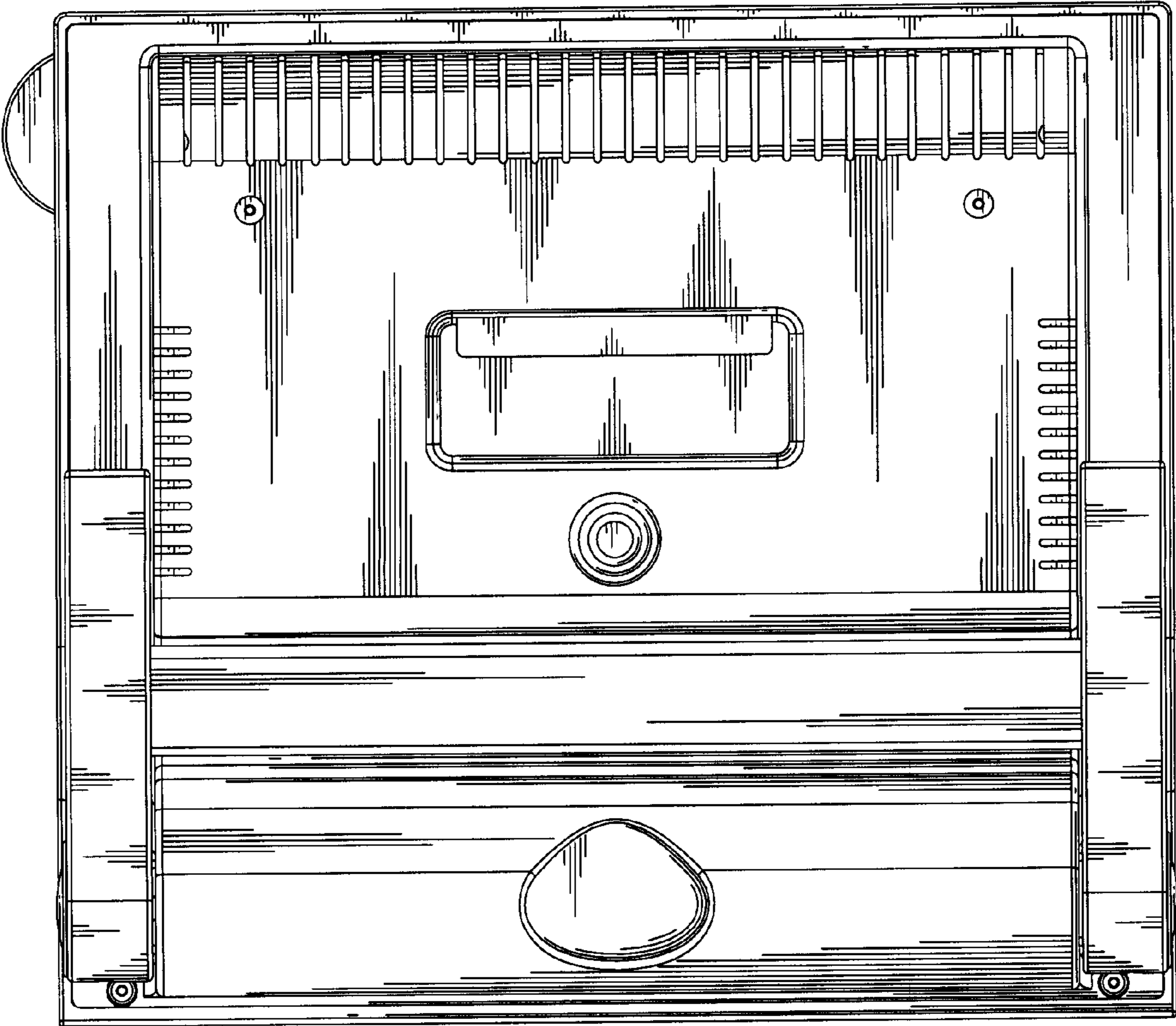


FIG. 3

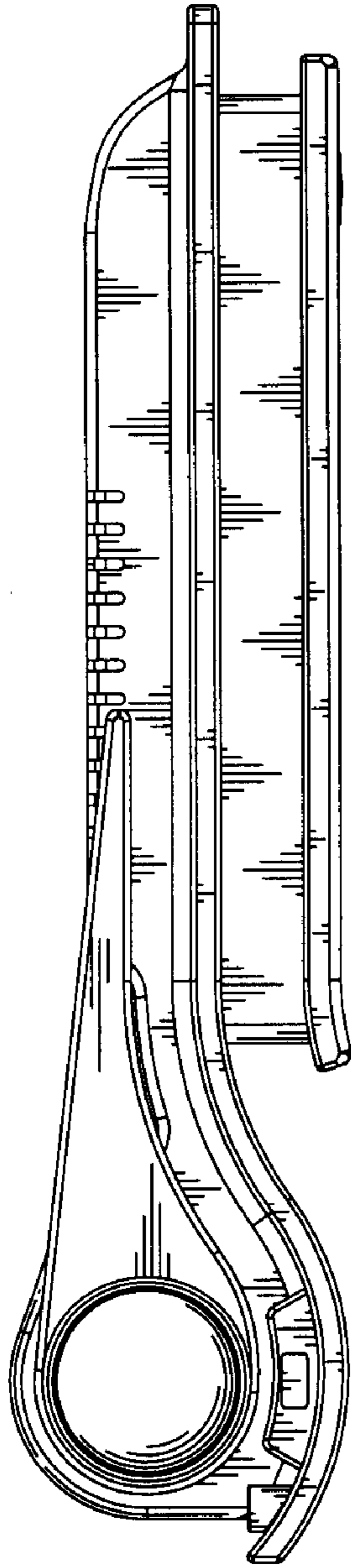


FIG. 4

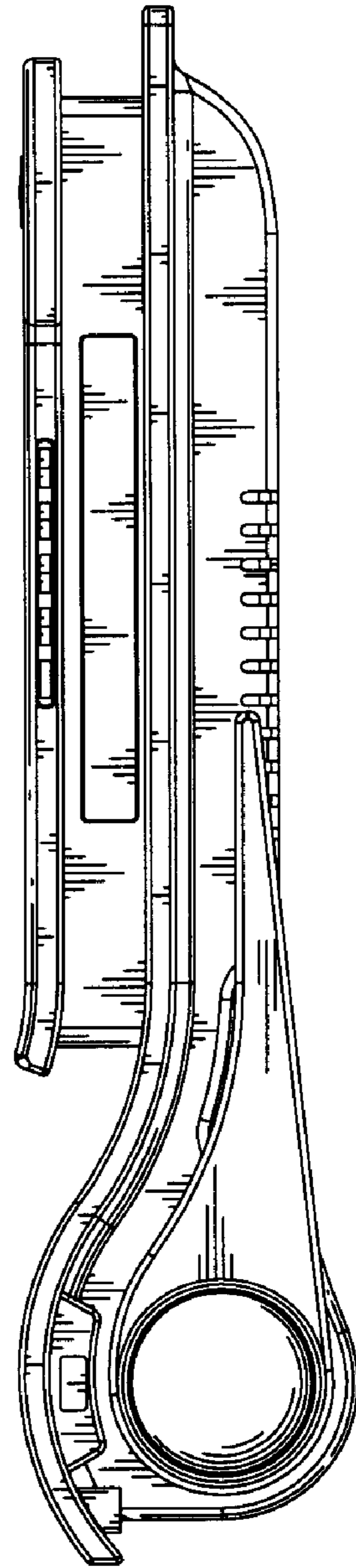


FIG. 5

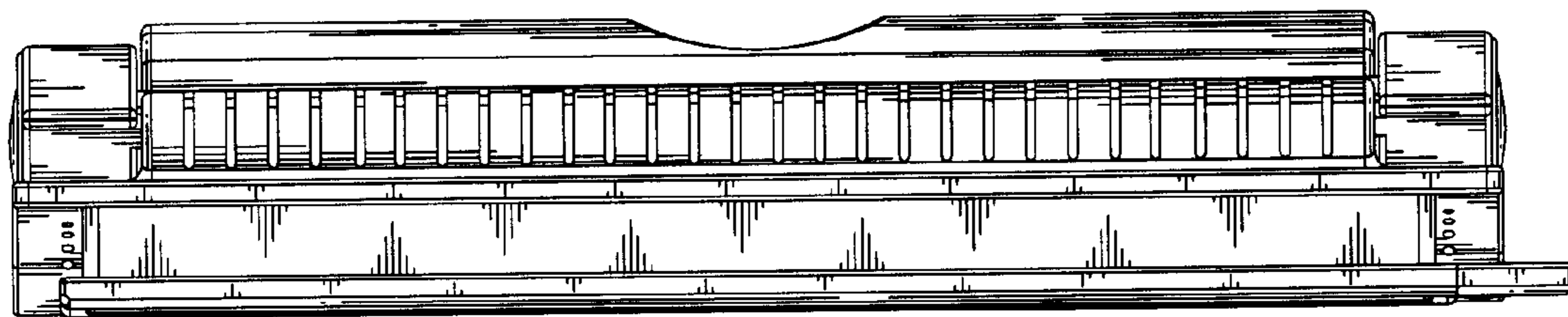


FIG. 6

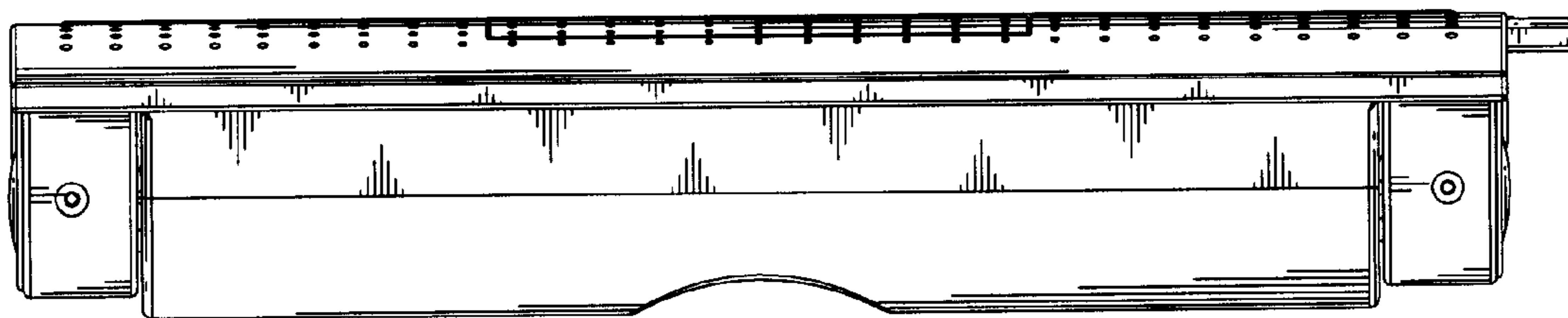


FIG. 7

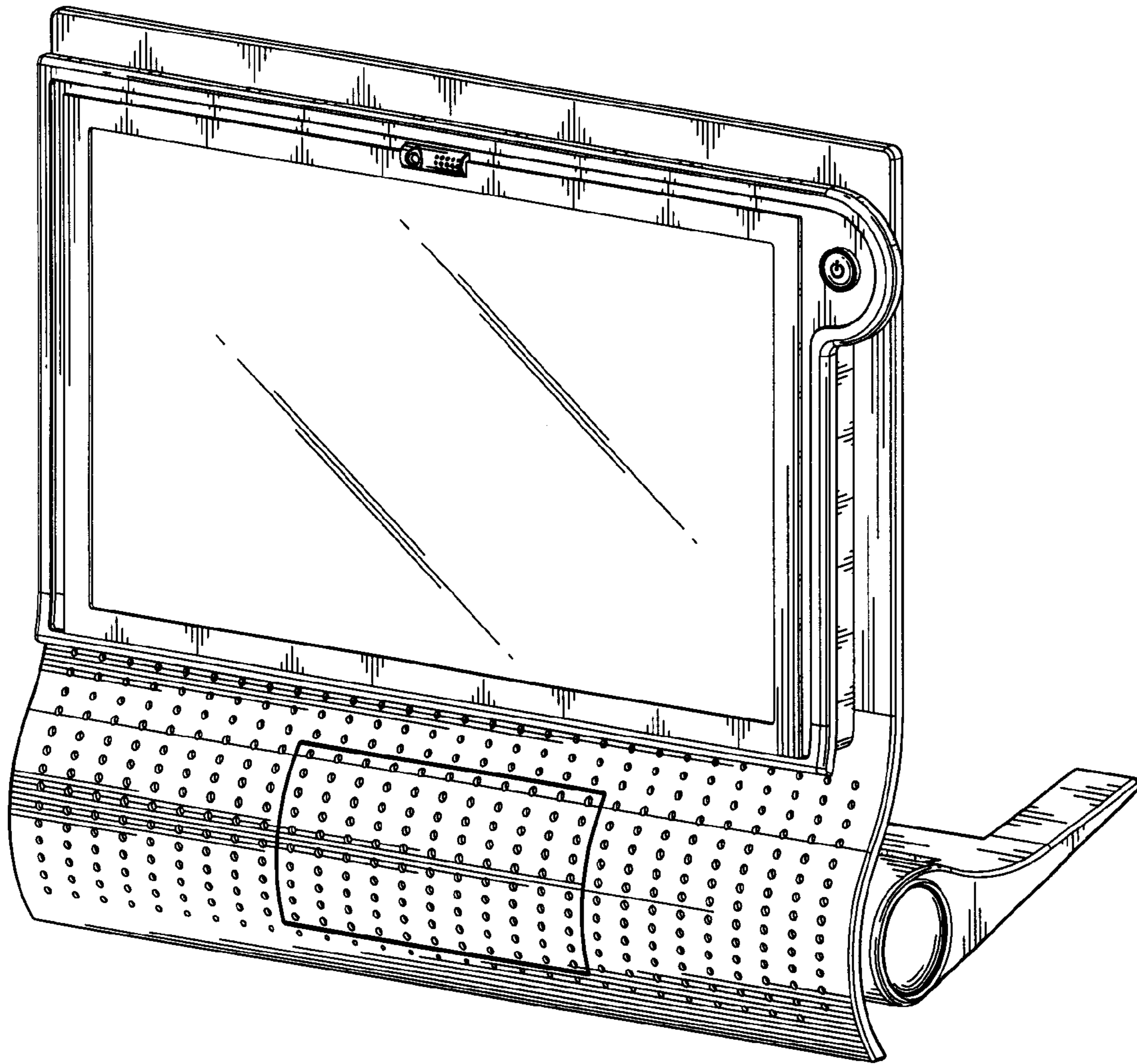


FIG. 8