



US00D510347S

(12) **United States Design Patent**
Martin

(10) **Patent No.:** **US D510,347 S**

(45) **Date of Patent:** **** Oct. 4, 2005**

(54) **SOUND GENERATOR**

(75) **Inventor:** **Mark G. Martin, Monrovia, CA (US)**

(73) **Assignee:** **Sharper Image Corporation, San Francisco, CA (US)**

(**) **Term:** **14 Years**

(21) **Appl. No.:** **29/212,378**

(22) **Filed:** **Aug. 30, 2004**

(51) **LOC (8) Cl.** **14-99**

(52) **U.S. Cl.** **D14/299**

(58) **Field of Search** D14/154, 155,
D14/160, 163, 171, 195, 196, 194, 214,
217, 299; 446/397, 404, 419; 181/153;
381/73.1, 386; 340/384.7

(56) **References Cited**

U.S. PATENT DOCUMENTS

D301,846 S	*	6/1989	Beyer	D14/163
4,973,941 A	*	11/1990	Davis et al.	340/384.7
D320,023 S	*	9/1991	Gault	D14/299
D347,008 S	*	5/1994	Theisen et al.	D14/160
D372,249 S	*	7/1996	Pinchuk	D14/299
D380,757 S	*	7/1997	Mak	D14/171
D388,789 S	*	1/1998	Kokkinis	D14/194

5,802,197 A	*	9/1998	Fulcher	381/386
D407,405 S	*	3/1999	Chiu	D14/214
D428,612 S	*	7/2000	Scorrano	D14/194
D465,484 S	*	11/2002	Christianson	D14/299
D469,429 S	*	1/2003	Blackman	D14/299

* cited by examiner

Primary Examiner—Paula A. Greene

(74) *Attorney, Agent, or Firm*—Bell, Boyd & Lloyd LLC

(57) **CLAIM**

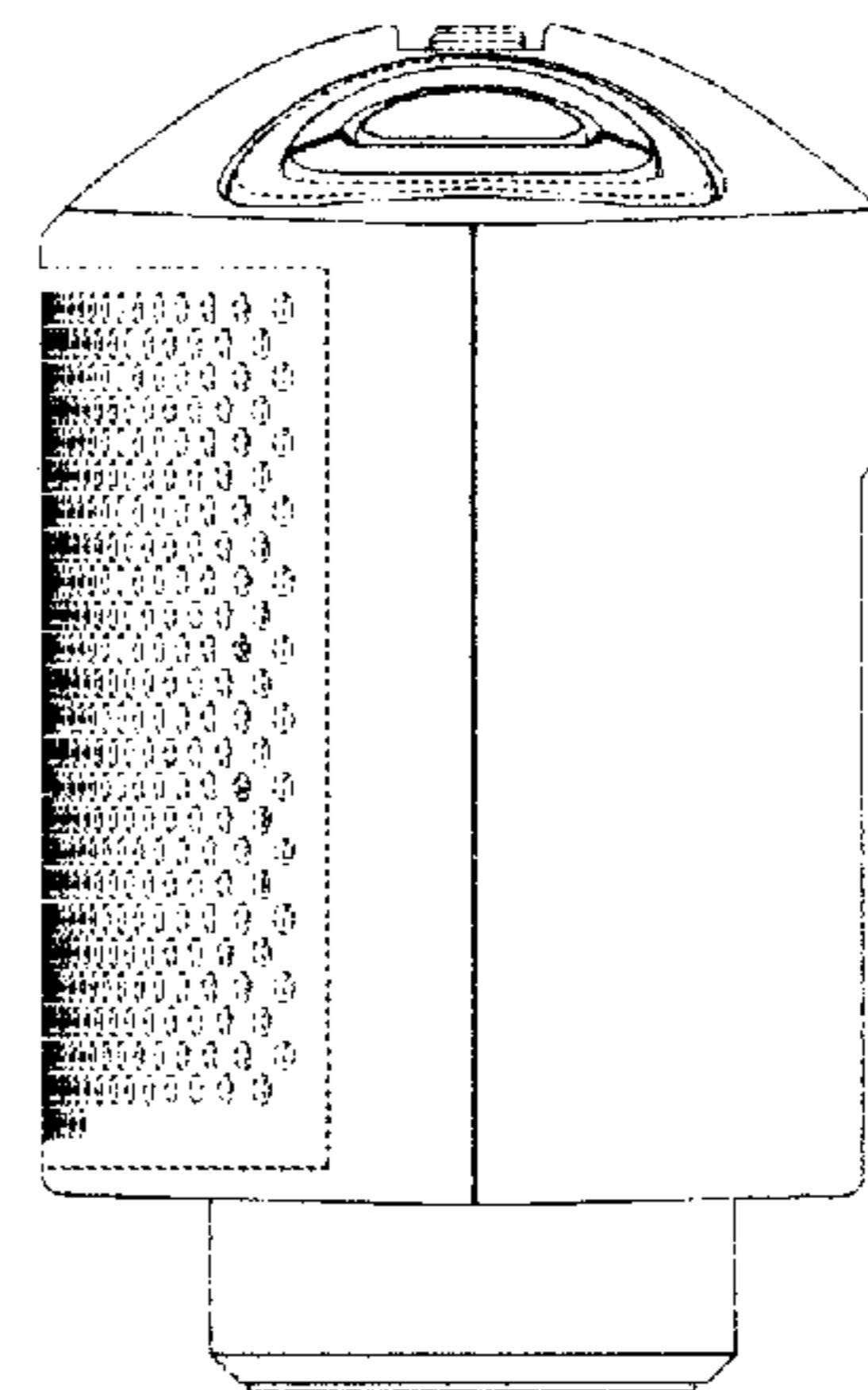
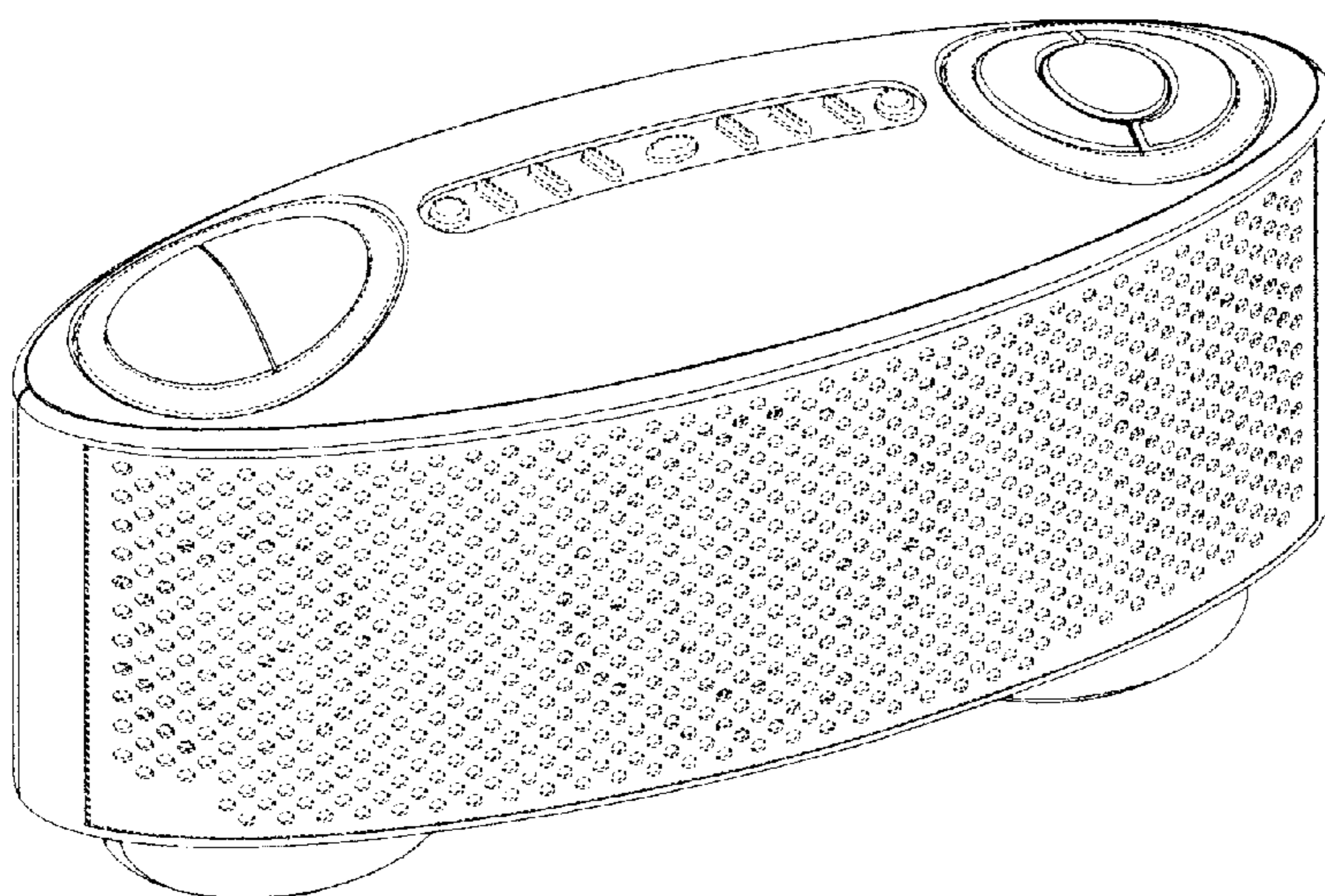
The ornamental design for a sound generator, as shown and described.

DESCRIPTION

FIG. 1 is a front perspective view of a sound generator, showing my new design;
FIG. 2 is a rear perspective view thereof;
FIG. 3 is a front view thereof;
FIG. 4 is a rear view thereof;
FIG. 5 is a right side view thereof;
FIG. 6 is a left side view thereof;
FIG. 7 is a top view thereof; and,
FIG. 8 is a bottom view.

The broken lines in FIGS. 1 to 8 are for illustrative purposes only and form no part of the claimed design.

1 Claim, 4 Drawing Sheets



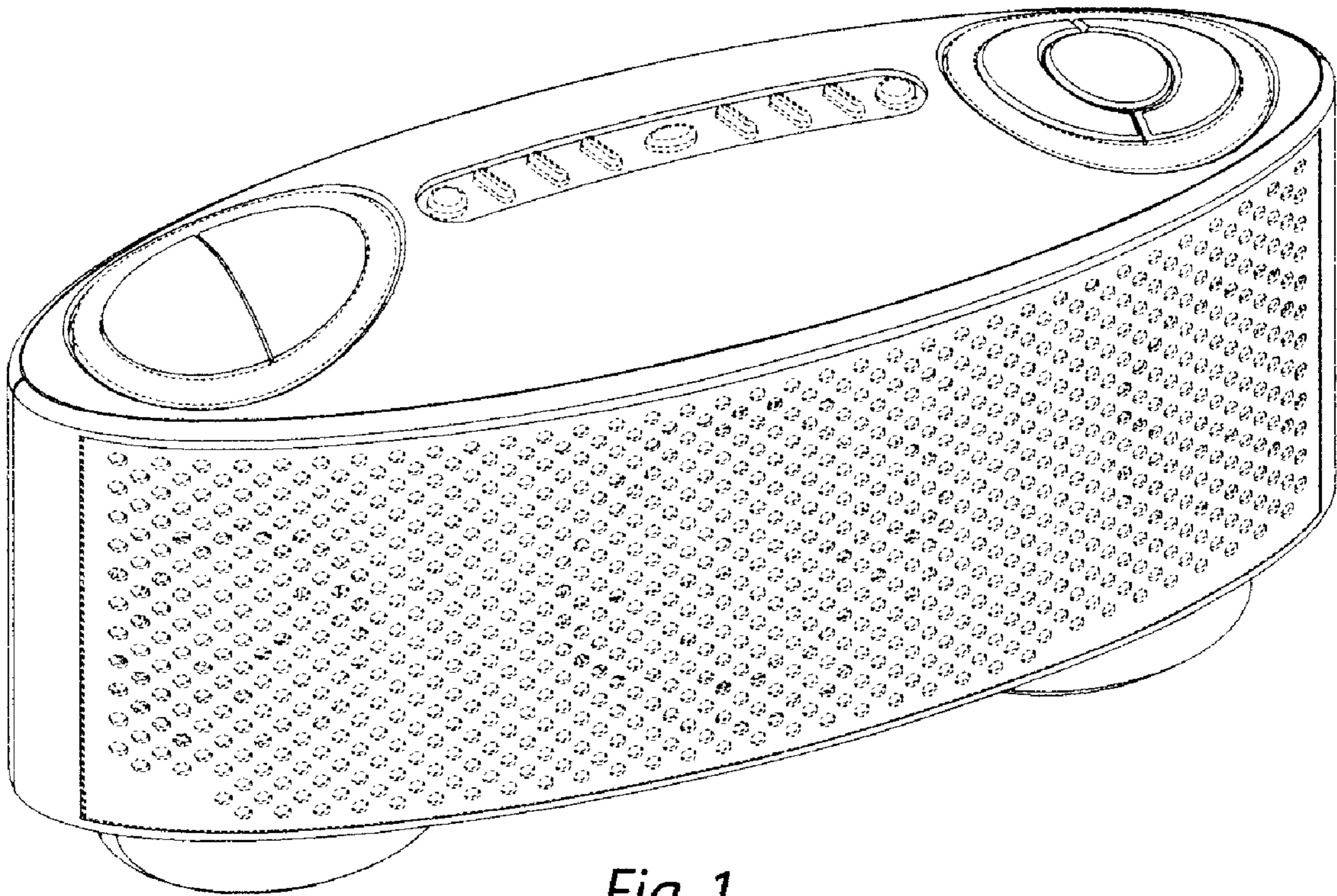


Fig. 1

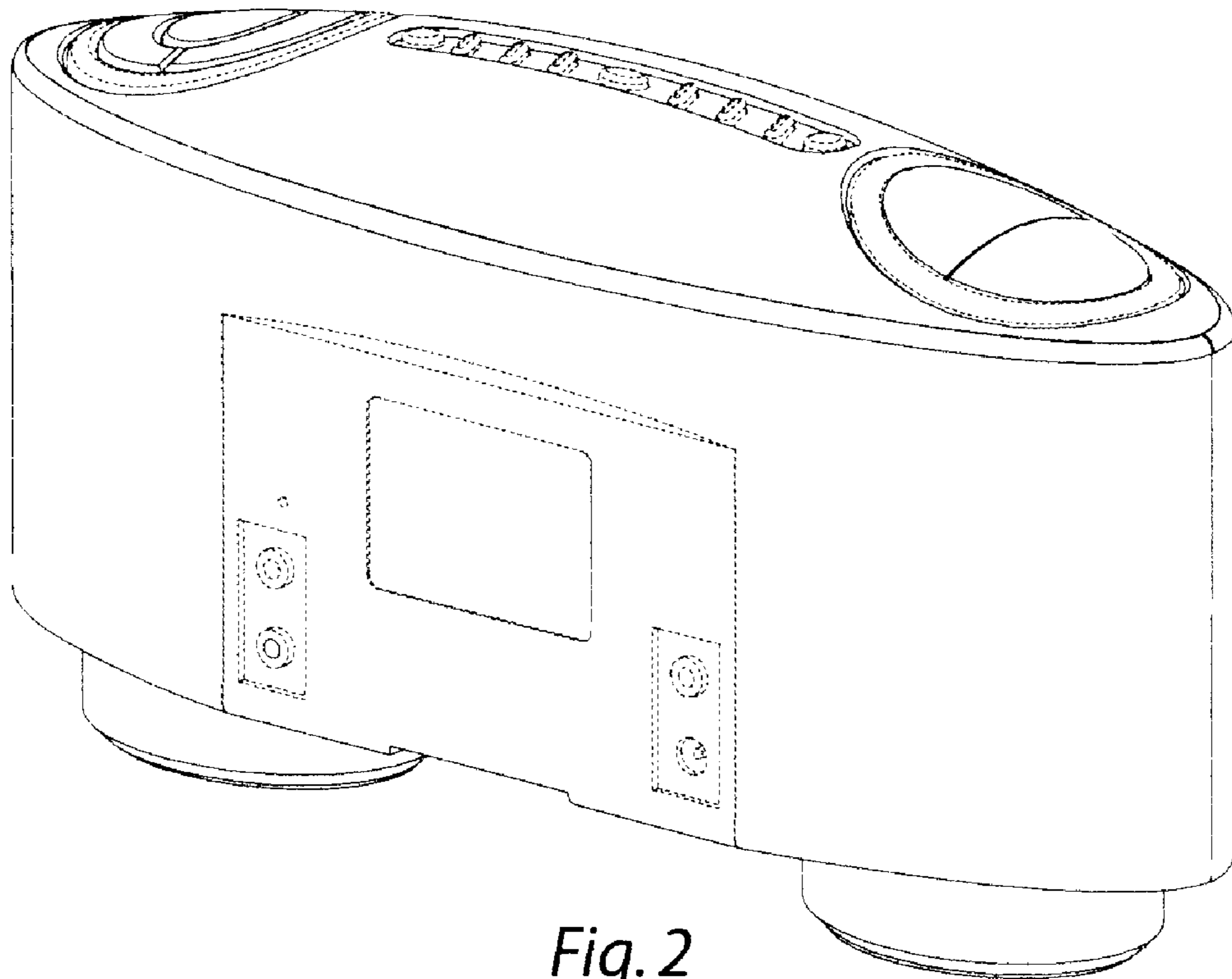


Fig. 2

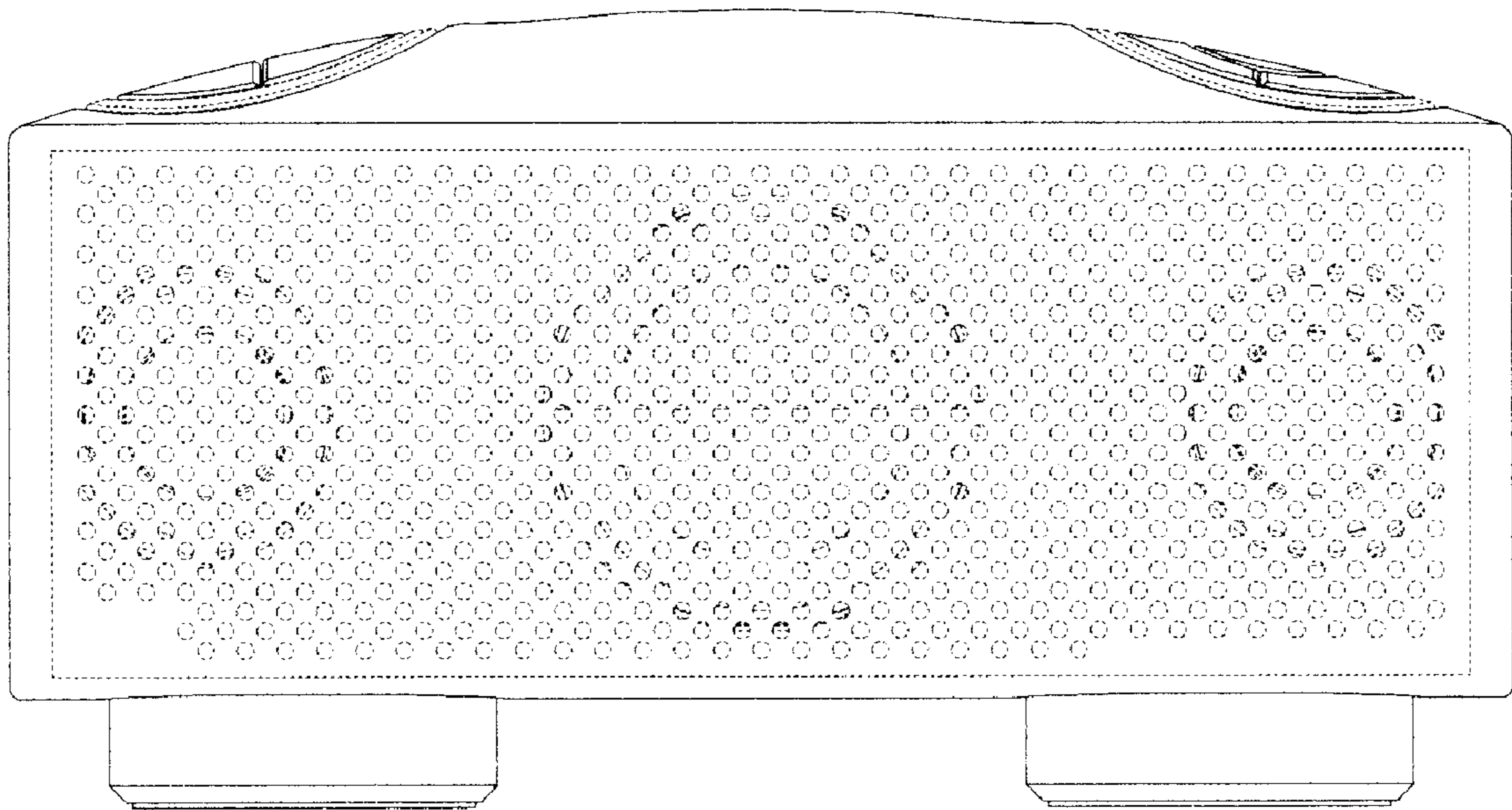


Fig. 3

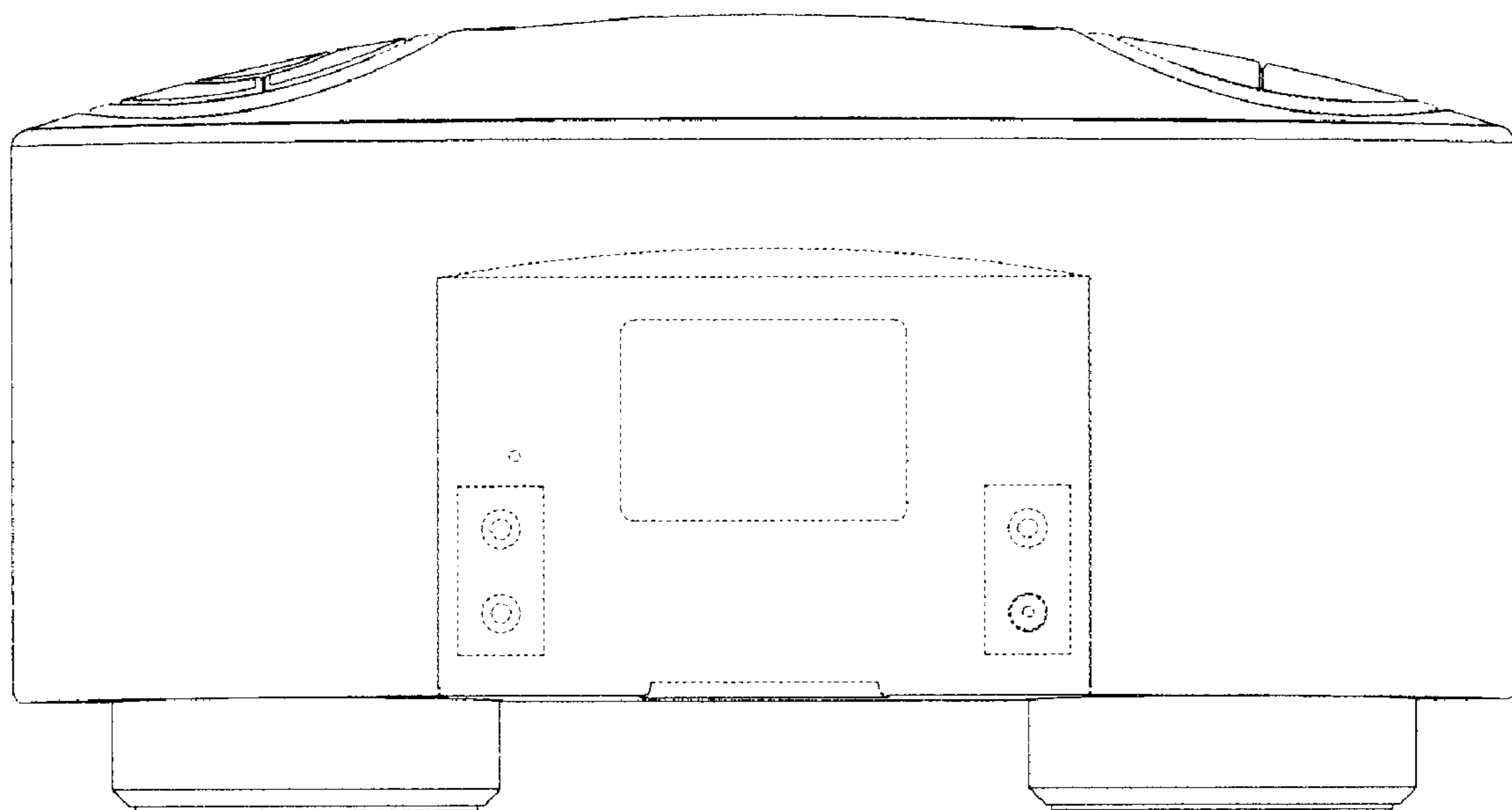


Fig. 4

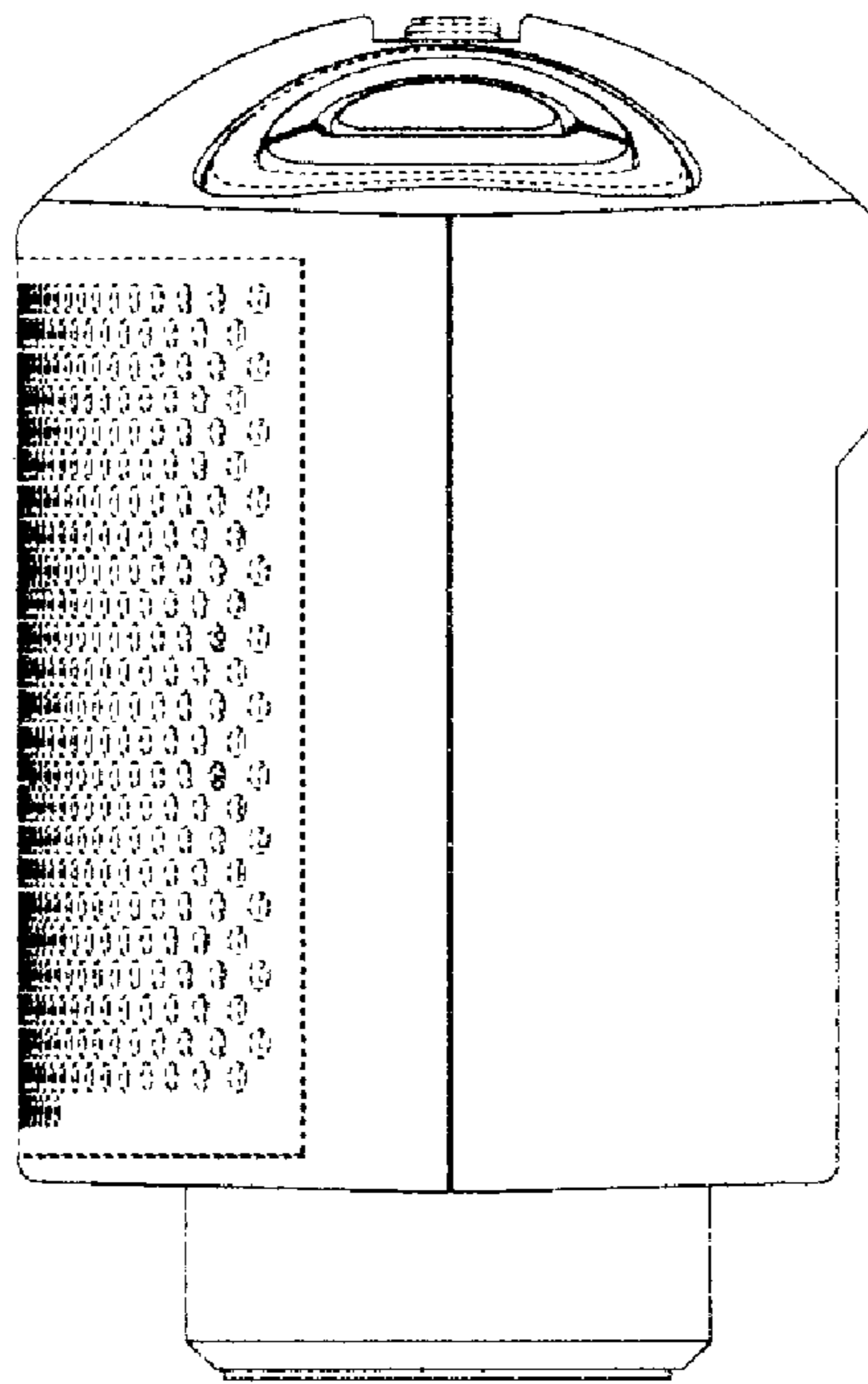


Fig. 5

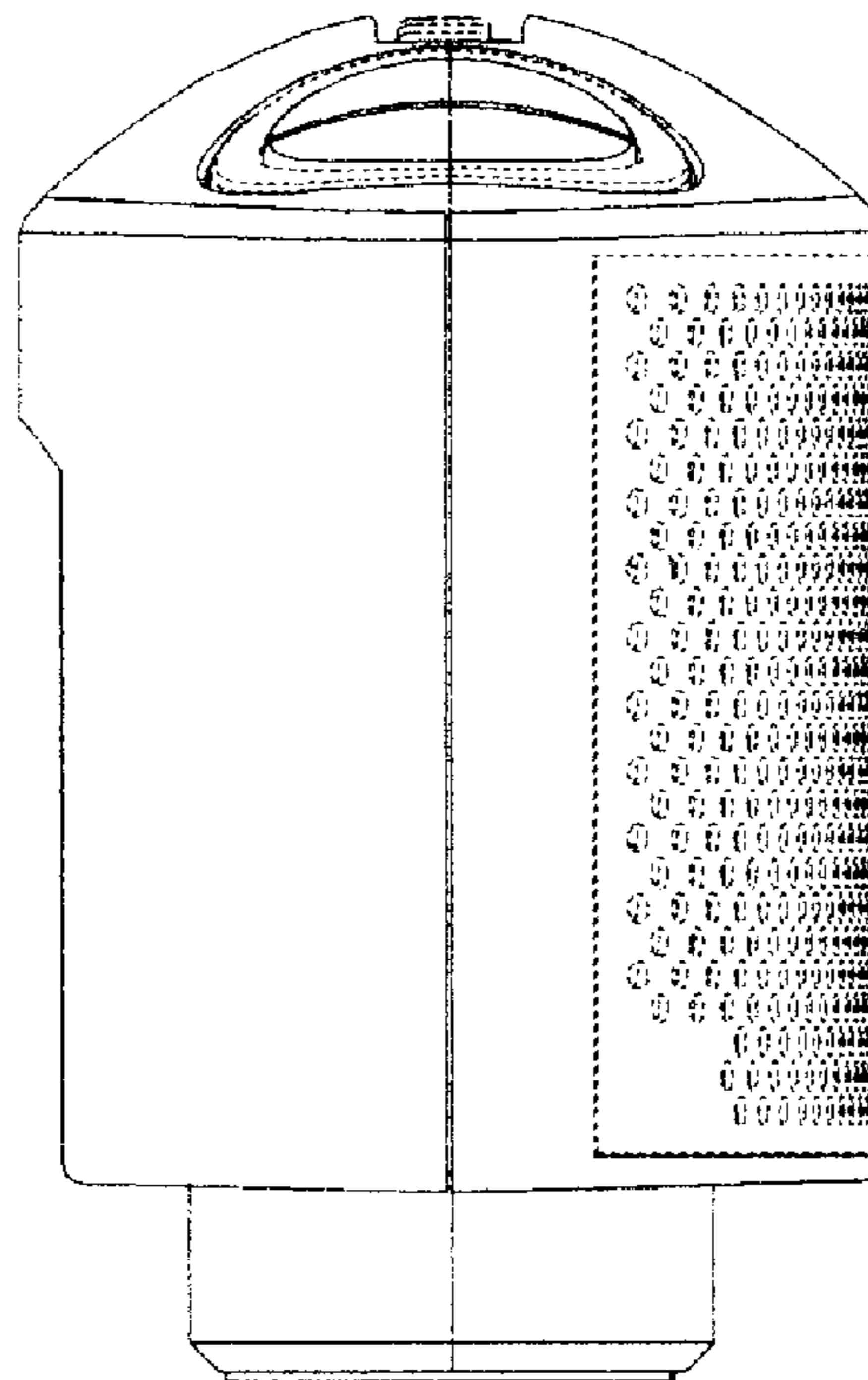


Fig. 6

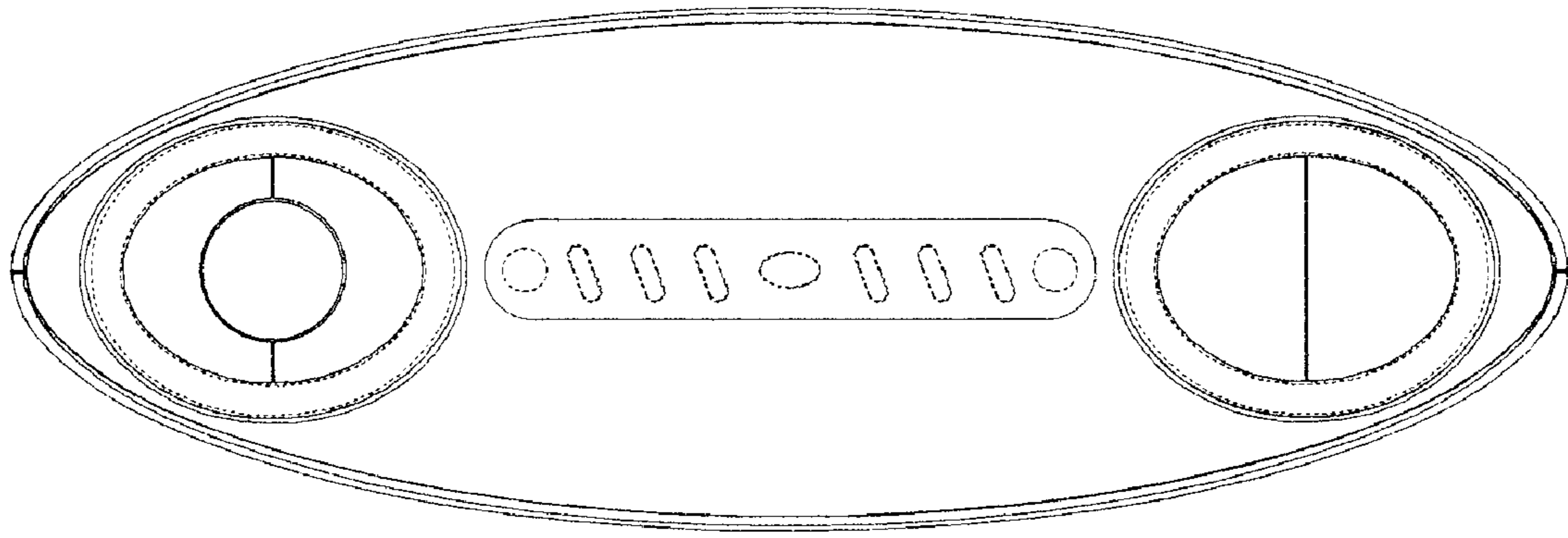


Fig. 7

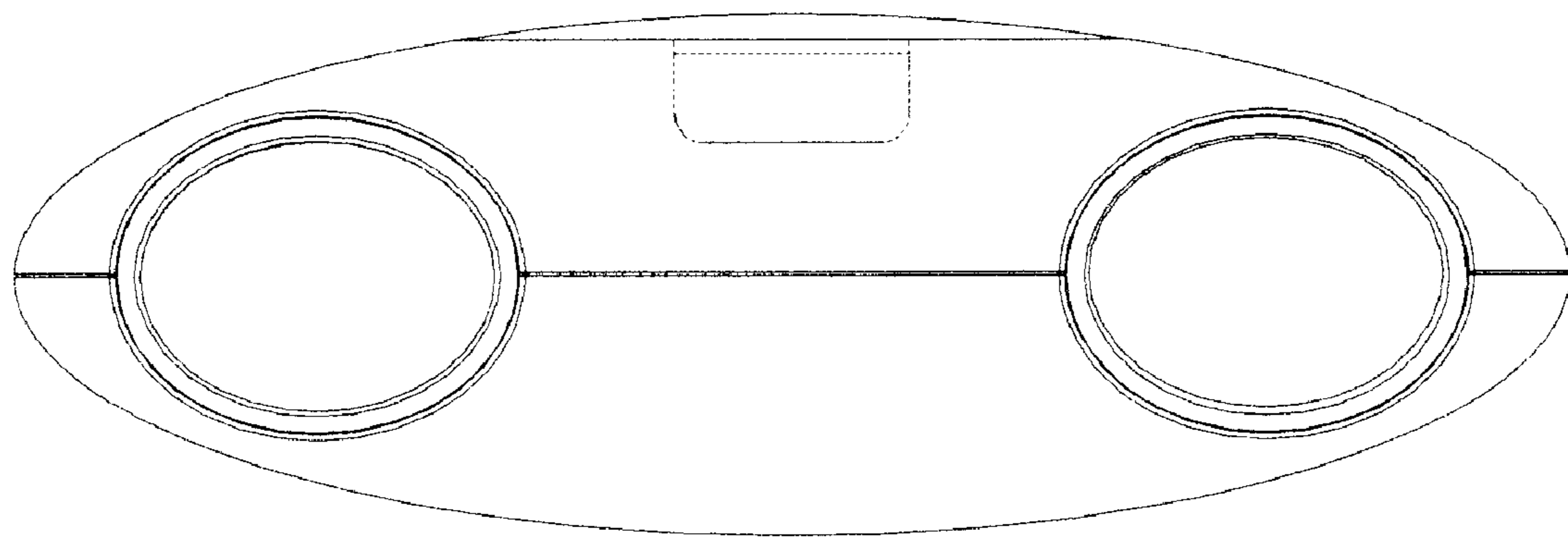


Fig. 8