



US00D510346S

(12) **United States Design Patent**
Hsu et al.

(10) **Patent No.: US D510,346 S**
(45) **Date of Patent: ** Oct. 4, 2005**

(54) **FRONT PANEL FOR DISK PLAYER**

(75) Inventors: **Huang-Yao Hsu, Taipei (TW);
Fang-Hsuan Chen, Taipei (TW)**

(73) Assignee: **Shuttle Inc., Taipei (TW)**

(**) Term: **14 Years**

(21) Appl. No.: **29/212,583**

(22) Filed: **Sep. 7, 2004**

(51) **LOC (8) Cl. 14-01**

(52) **U.S. Cl. D14/257**

(58) **Field of Search** D14/445, 260.1,
D14/258, 257, 224, 217, 198, 197, 196,
195, 194, 193, 192, 188, 168, 167, 156,
136, 191, 157; D12/415, 420; 455/344,
350, 347; 248/27.3, 27.1, 558

(56) **References Cited**

U.S. PATENT DOCUMENTS

D311,404 S	*	10/1990	Repasky	D14/258
D355,197 S	*	2/1995	Farinelli et al.	D14/257
D370,895 S	*	6/1996	Ito et al.	D14/366
D394,655 S	*	5/1998	Niitsu	D14/156
5,859,828 A	*	1/1999	Ishibashi	720/655
D412,327 S	*	7/1999	Curbbun et al.	D14/496
D416,018 S	*	11/1999	Ito et al.	D14/156
D434,023 S	*	11/2000	Tsuyuguchi et al.	D14/156
D443,608 S	*	6/2001	Omori	D14/257
D444,137 S	*	6/2001	Miyazaki	D14/167

D448,354 S	*	9/2001	Ito et al.	D14/136
D450,317 S	*	11/2001	Uehara	D14/257
D464,332 S	*	10/2002	Kabasawa	D14/136
D468,278 S	*	1/2003	Kabasawa	D14/136
D479,524 S	*	9/2003	Nara	D14/258
D479,525 S	*	9/2003	Nara	D14/258
D494,172 S	*	8/2004	Asai	D14/368
2003/0103435 A1	*	6/2003	Wada et al.	369/77.1

* cited by examiner

Primary Examiner—Joel A. Sincavage
Assistant Examiner—Austin Murphy

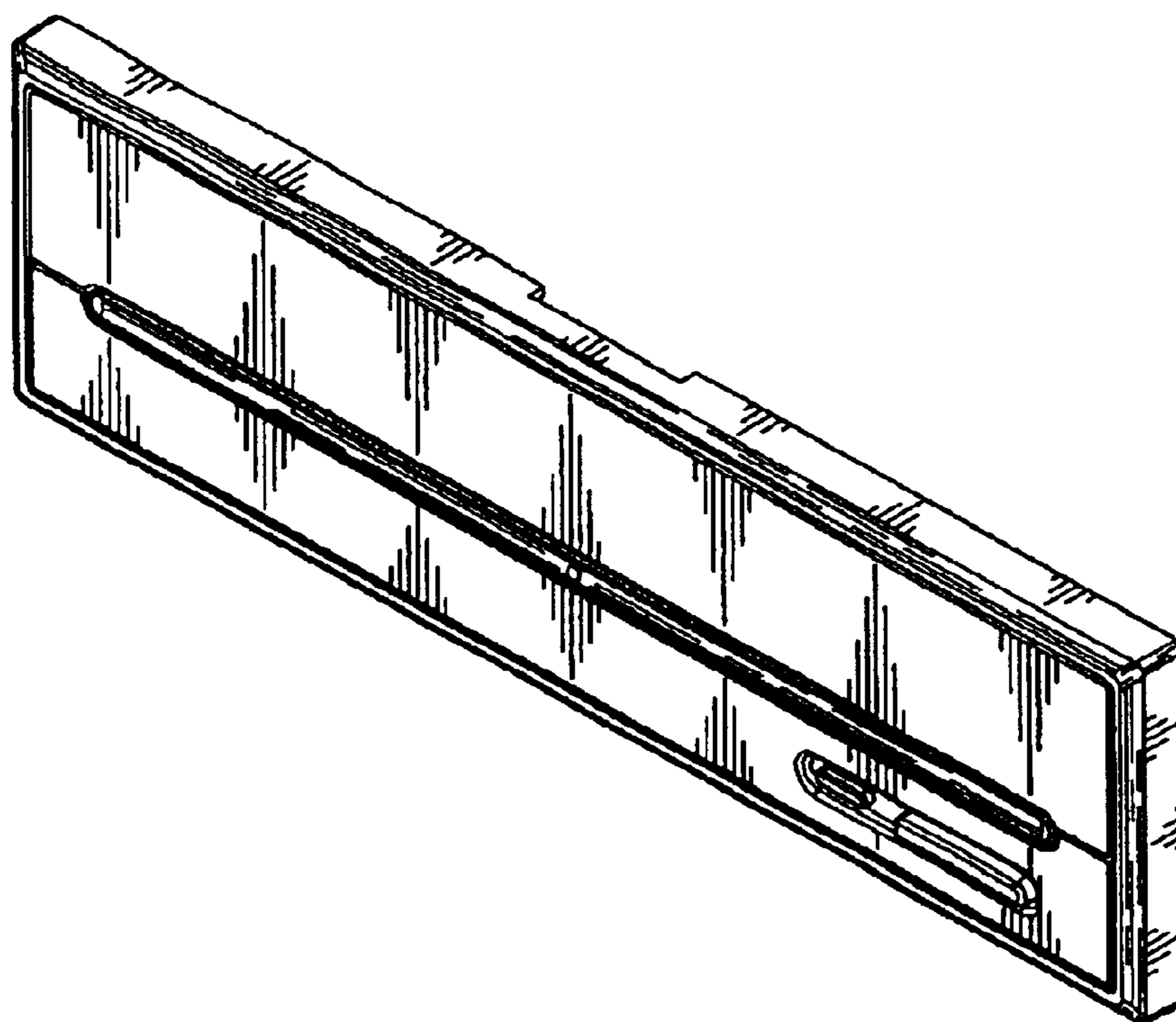
(57) **CLAIM**

The ornamental design for a front panel for disk player, as shown and described.

DESCRIPTION

FIG. 1 is a perspective view of a front panel for disk player showing my new design;
FIG. 2 is a front view thereof;
FIG. 3 is a rear view thereof;
FIG. 4 is a left side view thereof;
FIG. 5 is a right side view thereof;
FIG. 6 is a top view thereof;
FIG. 7 is a bottom view thereof; and,
FIG. 8 is a perspective view showing the front panel for disk player in use.
The broken line environmental showing is for illustrative purpose only and forms no part of the claimed design.

1 Claim, 5 Drawing Sheets



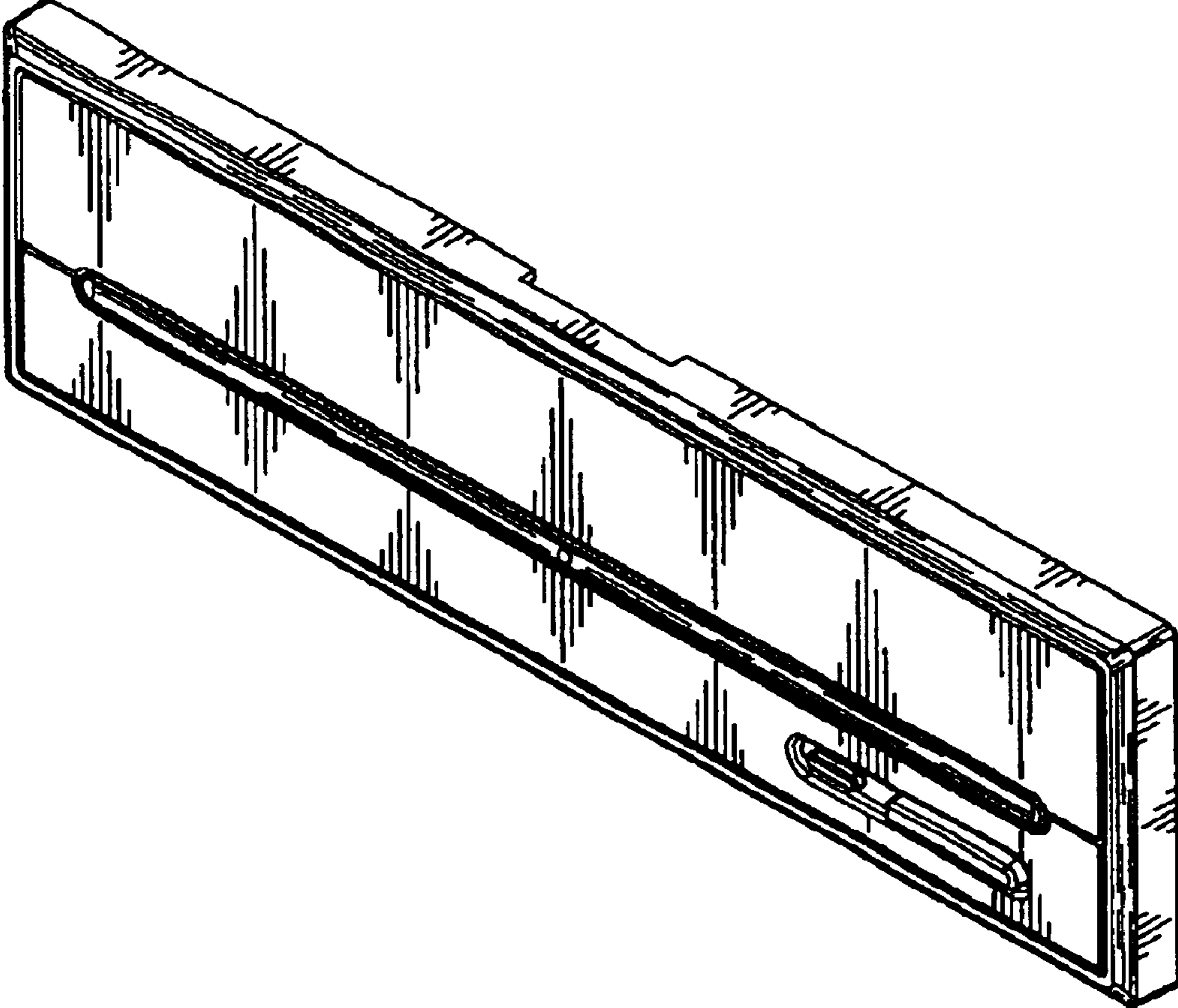


FIG. 1

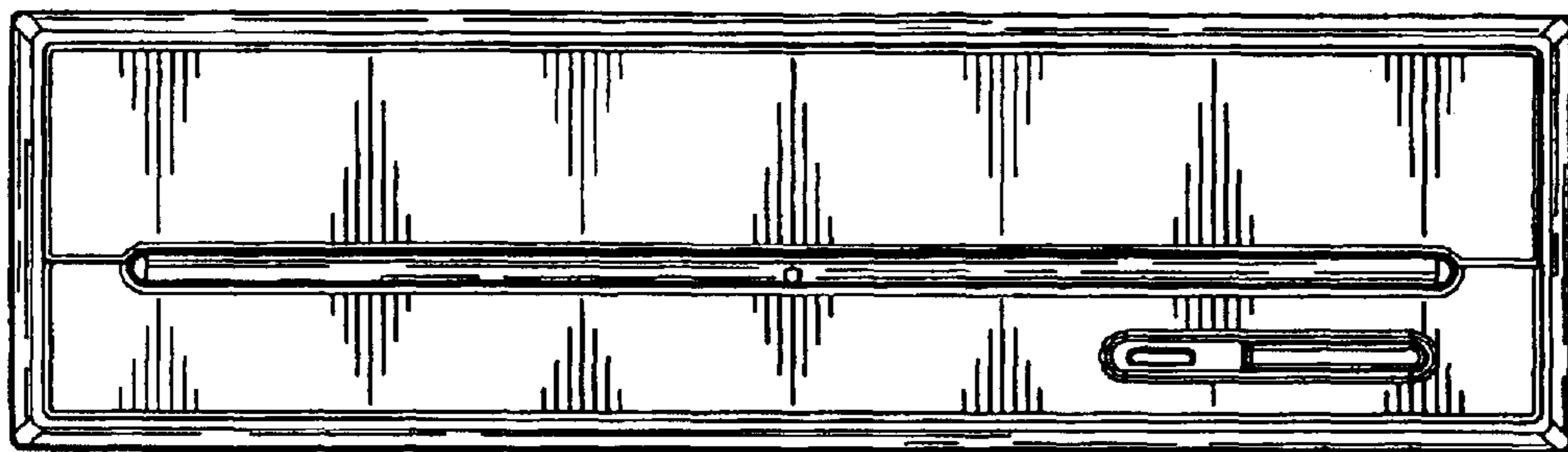


FIG. 2

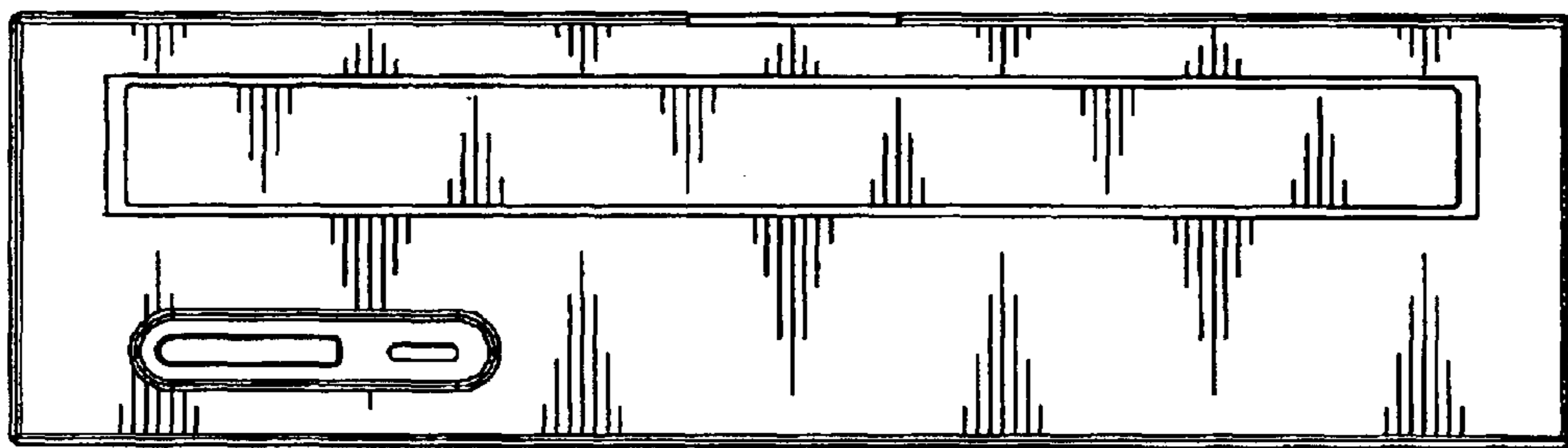


FIG. 3

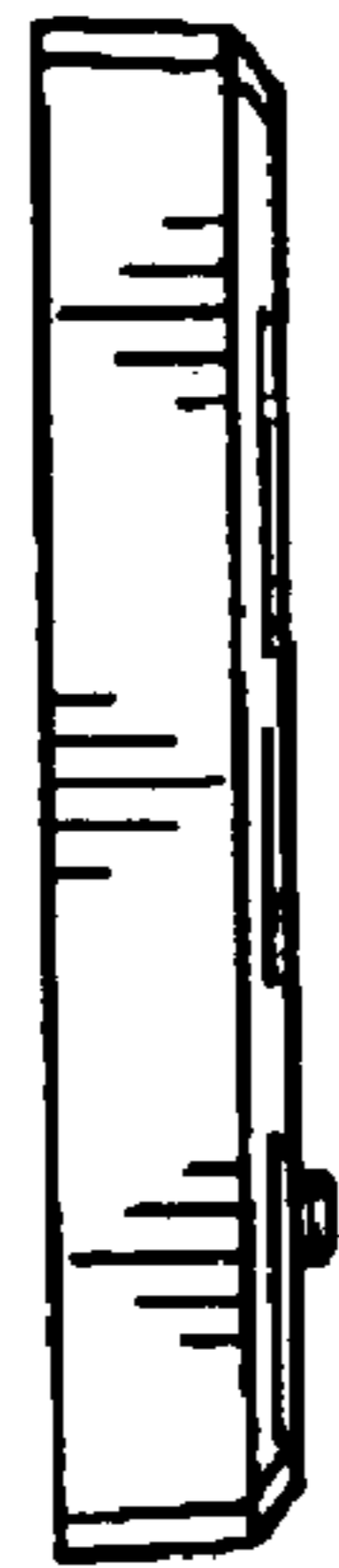


FIG. 4



FIG. 5



FIG. 6



FIG. 7

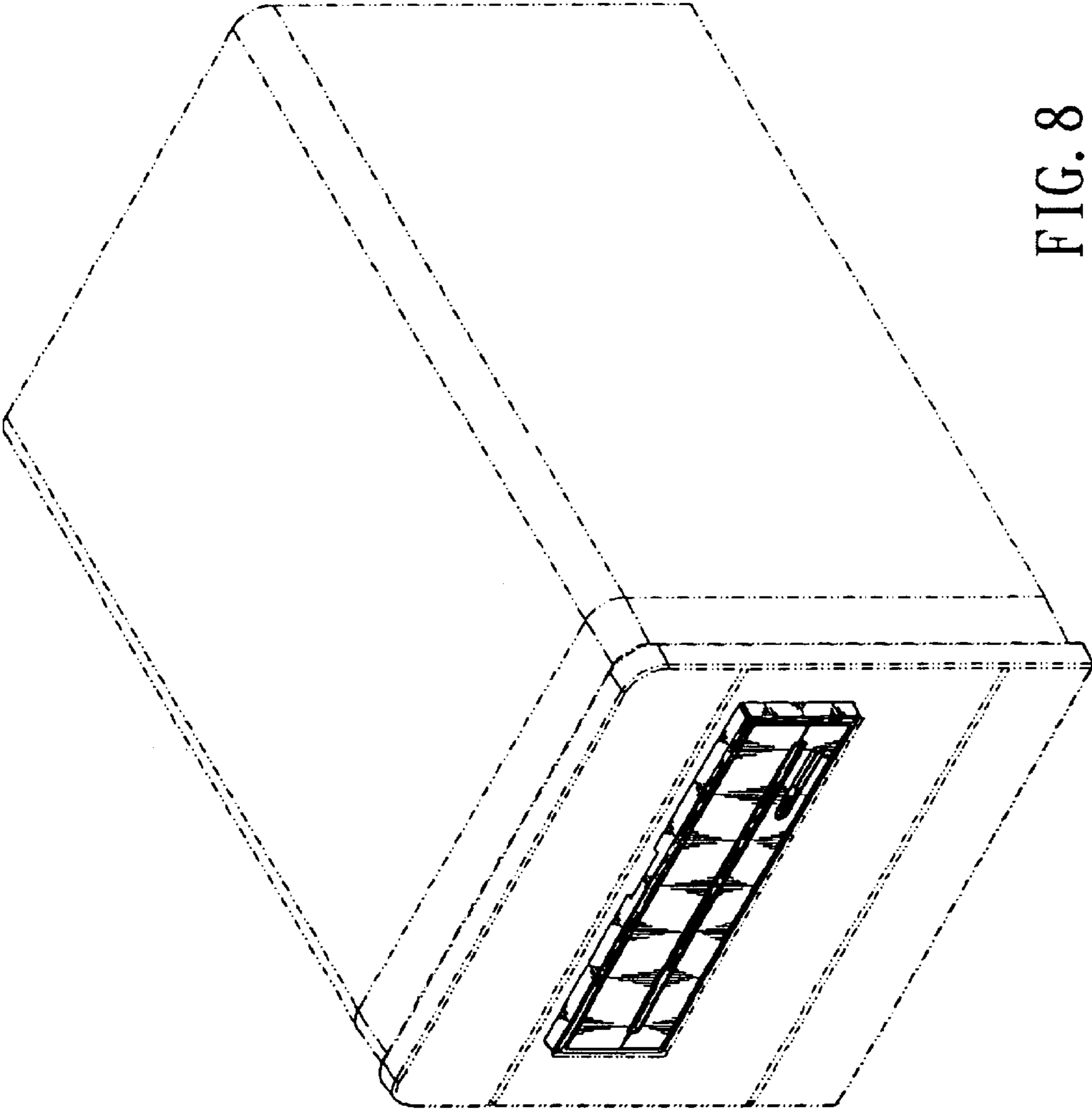


FIG. 8