



US00D510344S

(12) **United States Design Patent**
Hsieh

(10) **Patent No.:** **US D510,344 S**
(45) **Date of Patent:** **** Oct. 4, 2005**

- (54) **NETWORK SYSTEM DEVICE**
- (75) **Inventor:** **Jih-Ping Hsieh, Hsinchu (TW)**
- (73) **Assignee:** **Alpha Networks Inc., Hsinchu (TW)**
- (**) **Term:** **14 Years**
- (21) **Appl. No.:** **29/215,007**
- (22) **Filed:** **Oct. 14, 2004**
- (51) **LOC (8) Cl. 14-03**
- (52) **U.S. Cl. D14/240**
- (58) **Field of Search D14/240, 242,**
D14/299, 140; D13/123, 184, 199; 361/600,
728, 730, 622, 641; 455/3.01, 3.06, 553.1;
379/900, 908, 441, 67.1, 219-220.01

- D420,361 S * 2/2000 Lutz et al. D14/242
- D441,747 S * 5/2001 Liu et al. D14/356
- D462,954 S * 9/2002 Chen D14/299
- D489,059 S * 4/2004 Dendou et al. D14/242
- D494,940 S * 8/2004 Fiocchi D13/184

* cited by examiner

Primary Examiner—Charles A. Rademaker
(74) *Attorney, Agent, or Firm*—Bacon & Thomas PLLC

(57) **CLAIM**

The ornamental design for a network system device, as shown.

DESCRIPTION

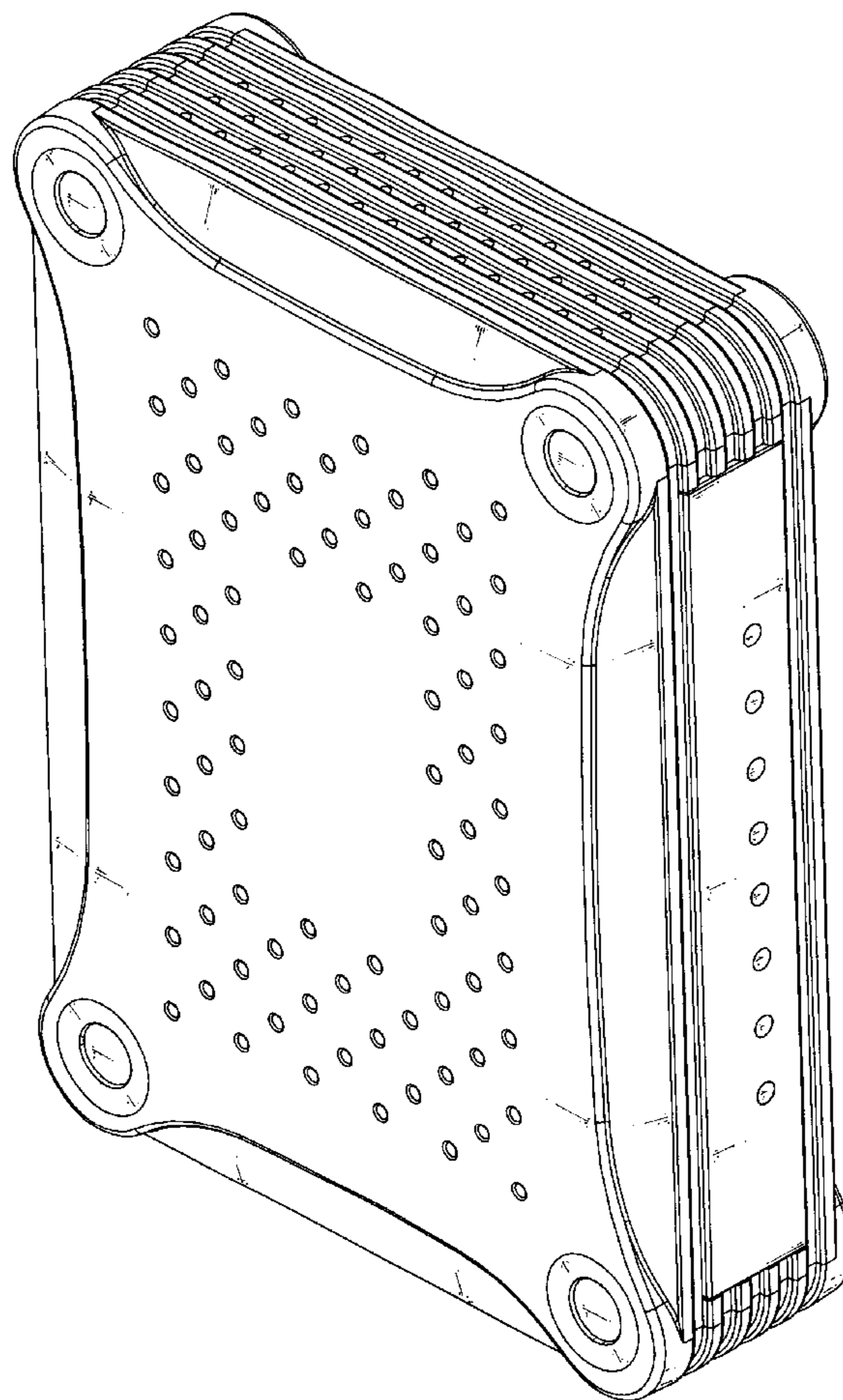
FIG. 1 is a perspective view of a network system device showing my new design;
FIG. 2 is a front elevational view thereof;
FIG. 3 is a rear elevational view thereof;
FIG. 4 is a left side elevational view thereof;
FIG. 5 is a right side elevational view thereof;
FIG. 6 is a top plan view thereof; and,
FIG. 7 is a bottom plan view thereof.

(56) **References Cited**

U.S. PATENT DOCUMENTS

- D363,722 S * 10/1995 Aldridge et al. D14/242
- D364,618 S * 11/1995 Somoza D14/142
- D396,471 S * 7/1998 Kolinen D14/240
- D400,512 S * 11/1998 Korhonen D13/184
- D413,021 S * 8/1999 Wheatley et al. D14/240

1 Claim, 5 Drawing Sheets



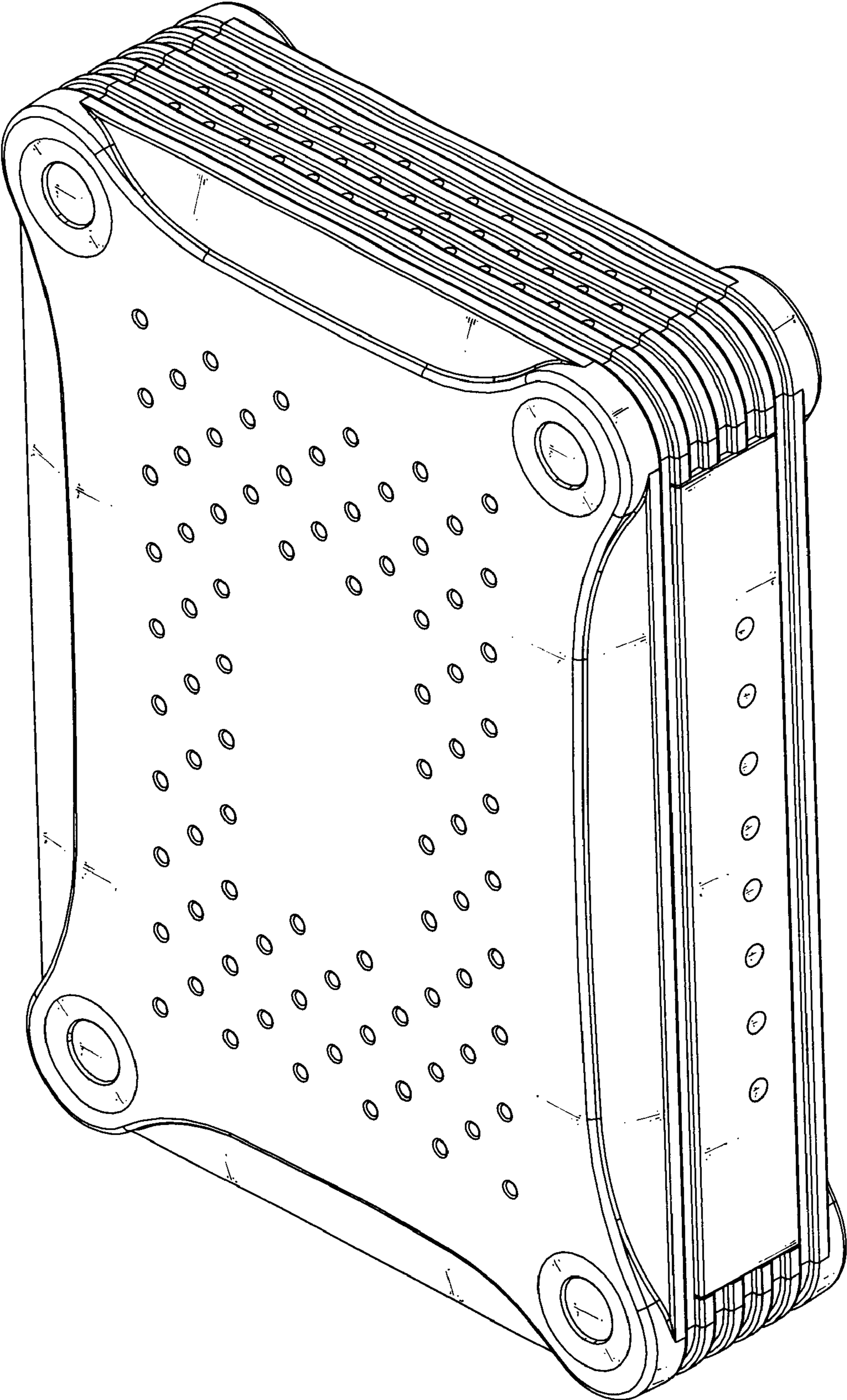


FIG. 1

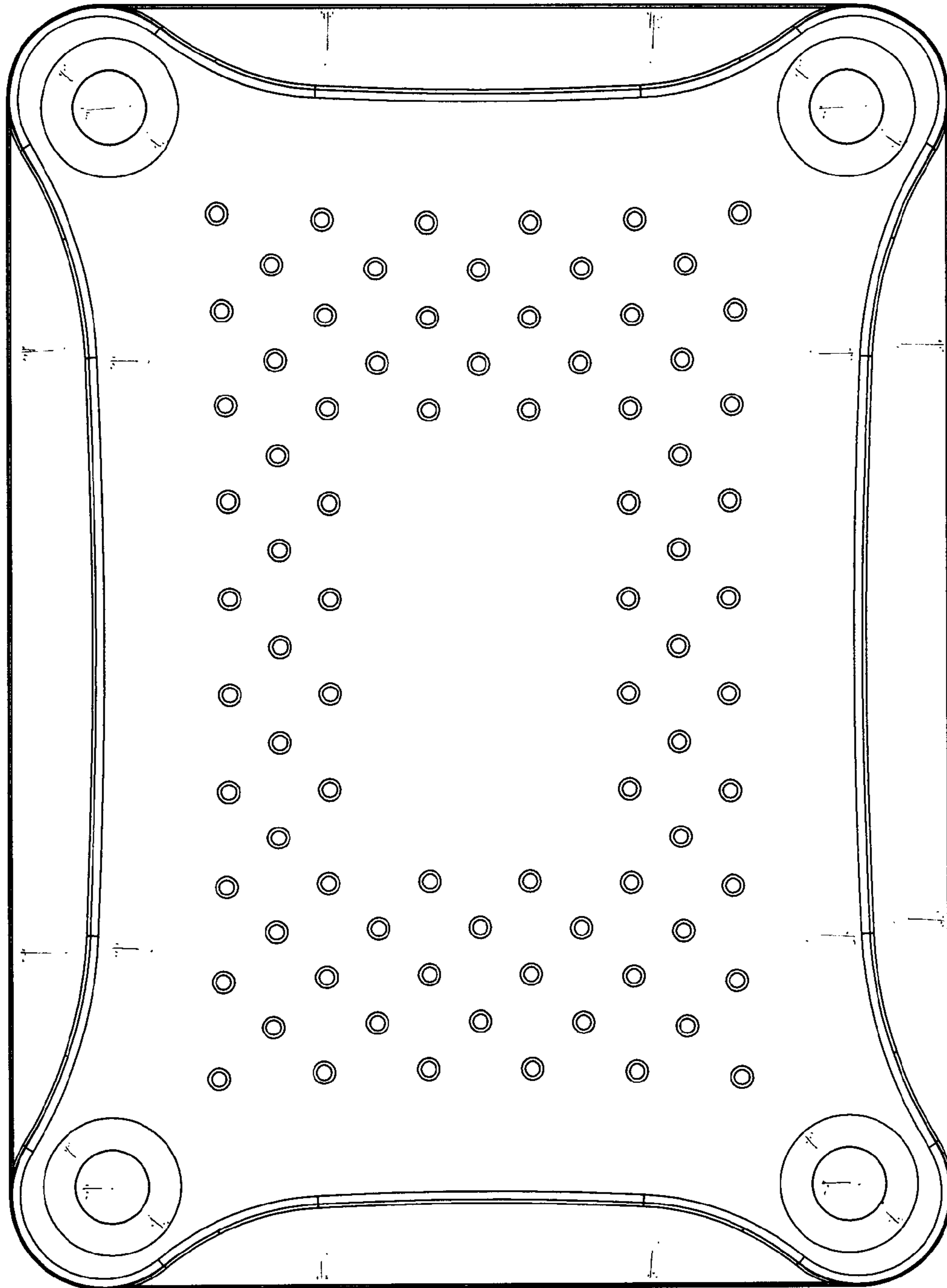


FIG. 2

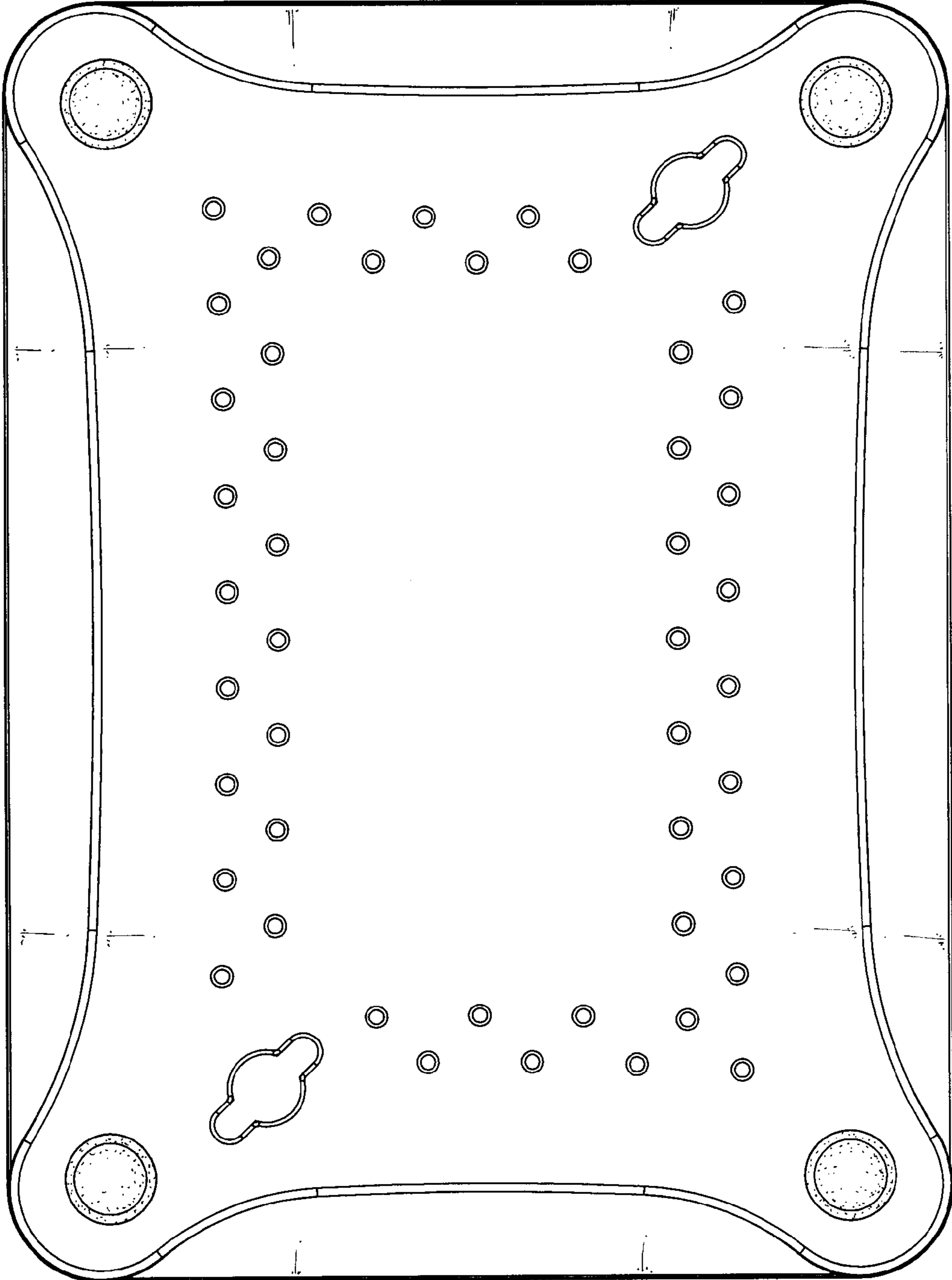


FIG. 3

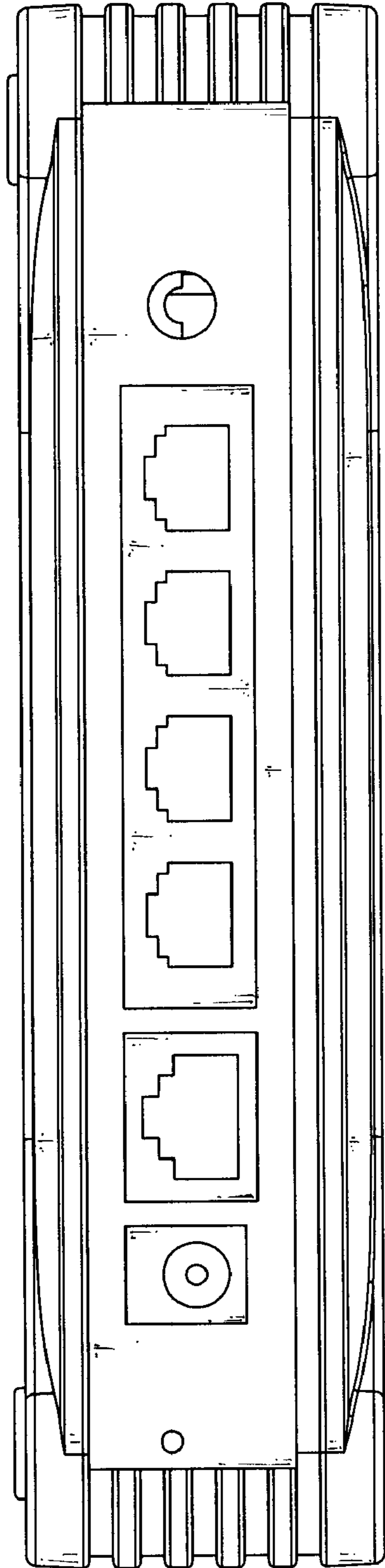


FIG. 4

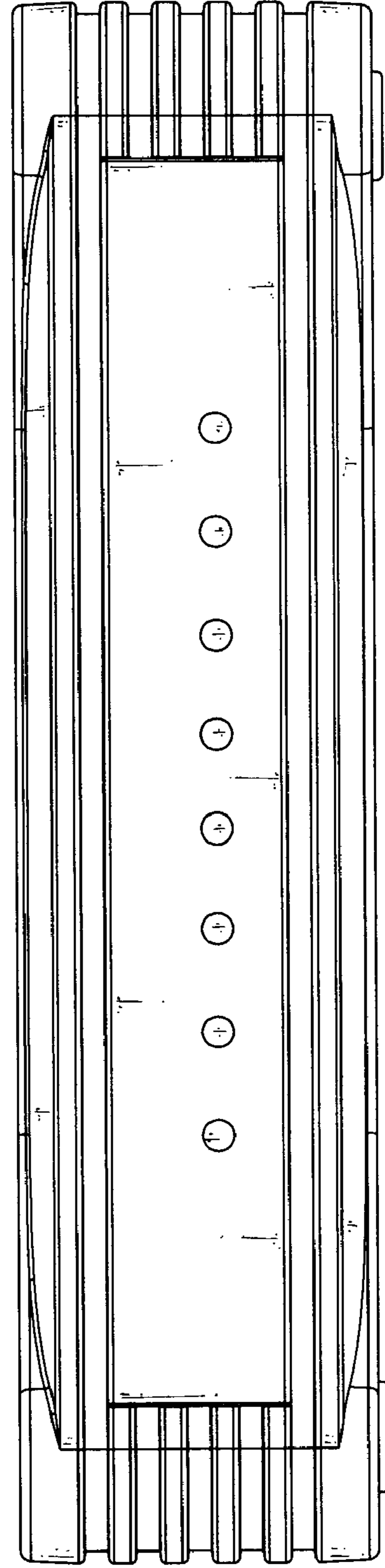


FIG. 5

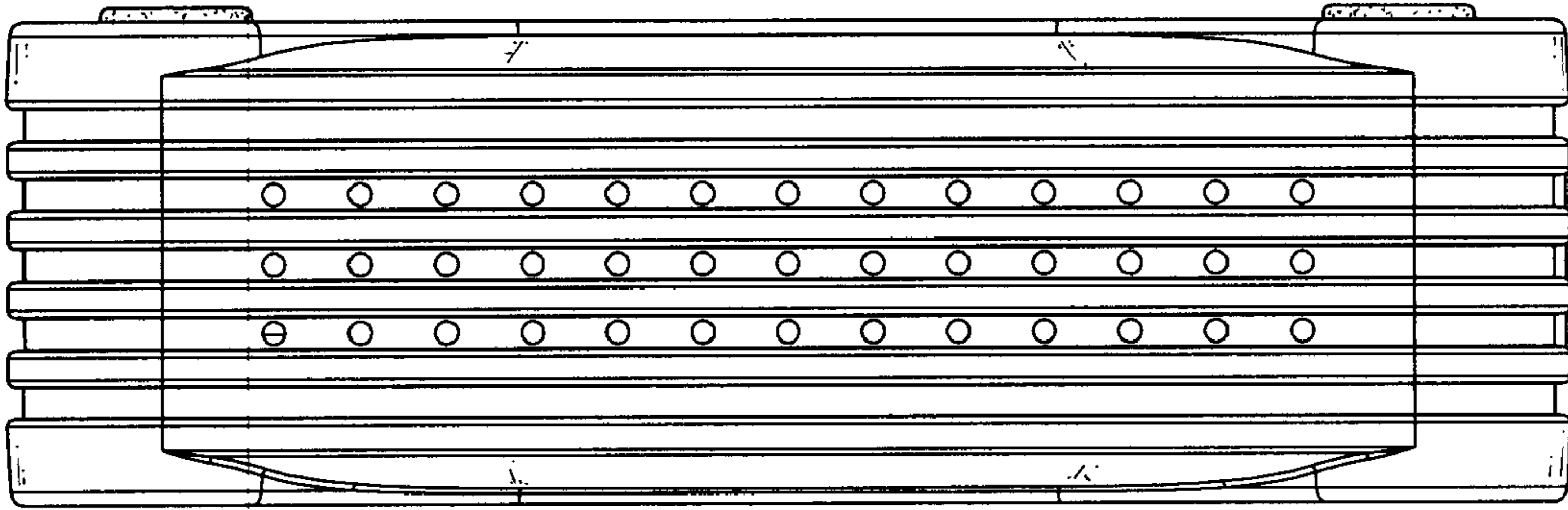


FIG. 6

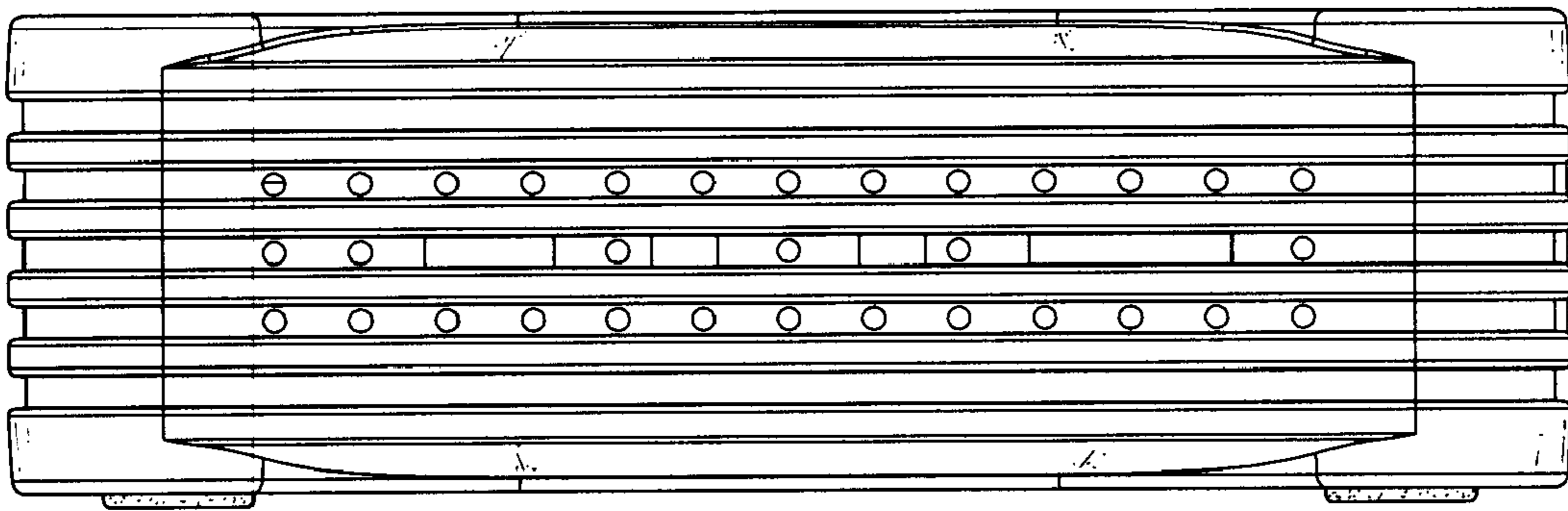


FIG. 7