



US00D510342S

(12) **United States Design Patent**  
**MacCormac et al.**

(10) **Patent No.:** **US D510,342 S**

(45) **Date of Patent:** **\*\* Oct. 4, 2005**

(54) **NETWORK COMMUNICATIONS SYSTEM TRANSMITTER ENCLOSURE**

(76) Inventors: **Timothy James MacCormac**, 11205 Brass Kettle Rd., Raleigh, NC (US) 27614; **John Robert Weber, Jr.**, 41 Normandy Dr., Northport, NY (US) 11768

(\*\*) **Term:** **14 Years**

(21) **Appl. No.:** **29/204,004**

(22) **Filed:** **Apr. 22, 2004**

(51) **LOC (8) Cl.** ..... **14-03**

(52) **U.S. Cl.** ..... **D14/240**

(58) **Field of Search** ..... D14/240, 242, D14/3, 553, 140, 358; 379/333-337, 730, 826, 828, 387, 399.01, 399.02, 413.02, 413.04, 419, 420, 67.01; 455/19, 550.1; 361/728, 730, 600, 622

(56) **References Cited**

**U.S. PATENT DOCUMENTS**

- 6,031,907 A \* 2/2000 Daoud ..... 379/413.04
- D464,956 S \* 10/2002 Hill et al. .... D14/240
- 6,510,226 B1 \* 1/2003 Thomann et al. .... 379/413.04
- D485,829 S \* 1/2004 Lee ..... D14/240

6,735,450 B1 \* 5/2004 Remmert ..... 455/550.1

\* cited by examiner

*Primary Examiner*—Charles A. Rademaker

(74) *Attorney, Agent, or Firm*—A. Jose Cortina; Daniels Daniels & Verdonik, P.A.

(57) **CLAIM**

The ornamental design for a network communications system transmitter enclosure, as shown and described.

**DESCRIPTION**

FIG. 1 is a top, front and left side perspective view of a network communications system transmitter enclosure showing our new design;

FIG. 2 is another perspective view thereof, similar to FIG. 1, but omitting the broken lines indicating environment;

FIG. 3 is a left side elevation thereof;

FIG. 4 is a right side elevation thereof;

FIG. 5 is a top plan view thereof;

FIG. 6 is another top plan view thereof similar to FIG. 5, but omitting the broken lines indicating environment;

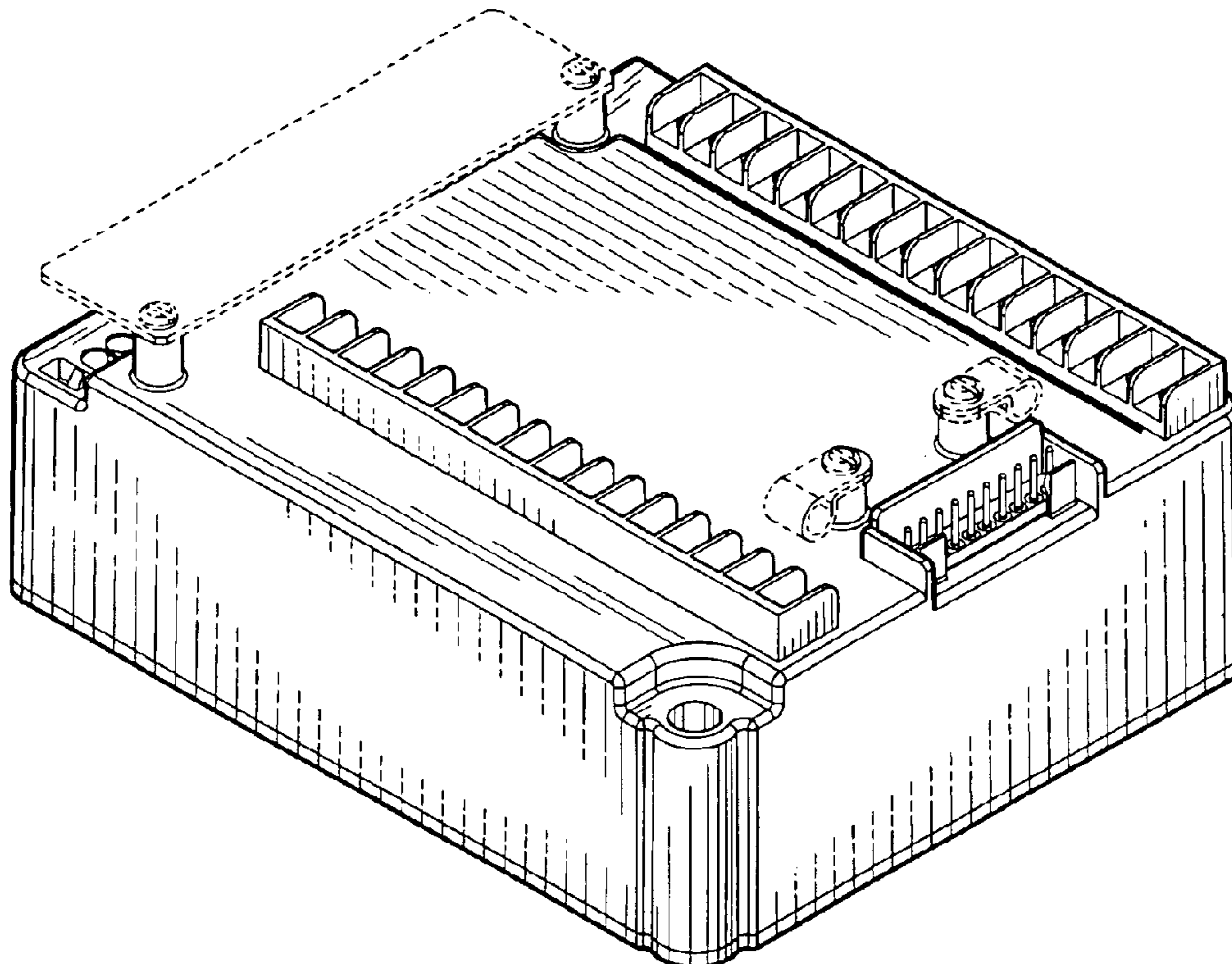
FIG. 7 is a bottom plan view thereof;

FIG. 8 is a front elevation thereof; and,

FIG. 9 is a rear elevation thereof.

The broken line showing of broken lines in FIGS. 1 and 5 is for illustrative purposes only and forms no part of the claimed design.

**1 Claim, 9 Drawing Sheets**



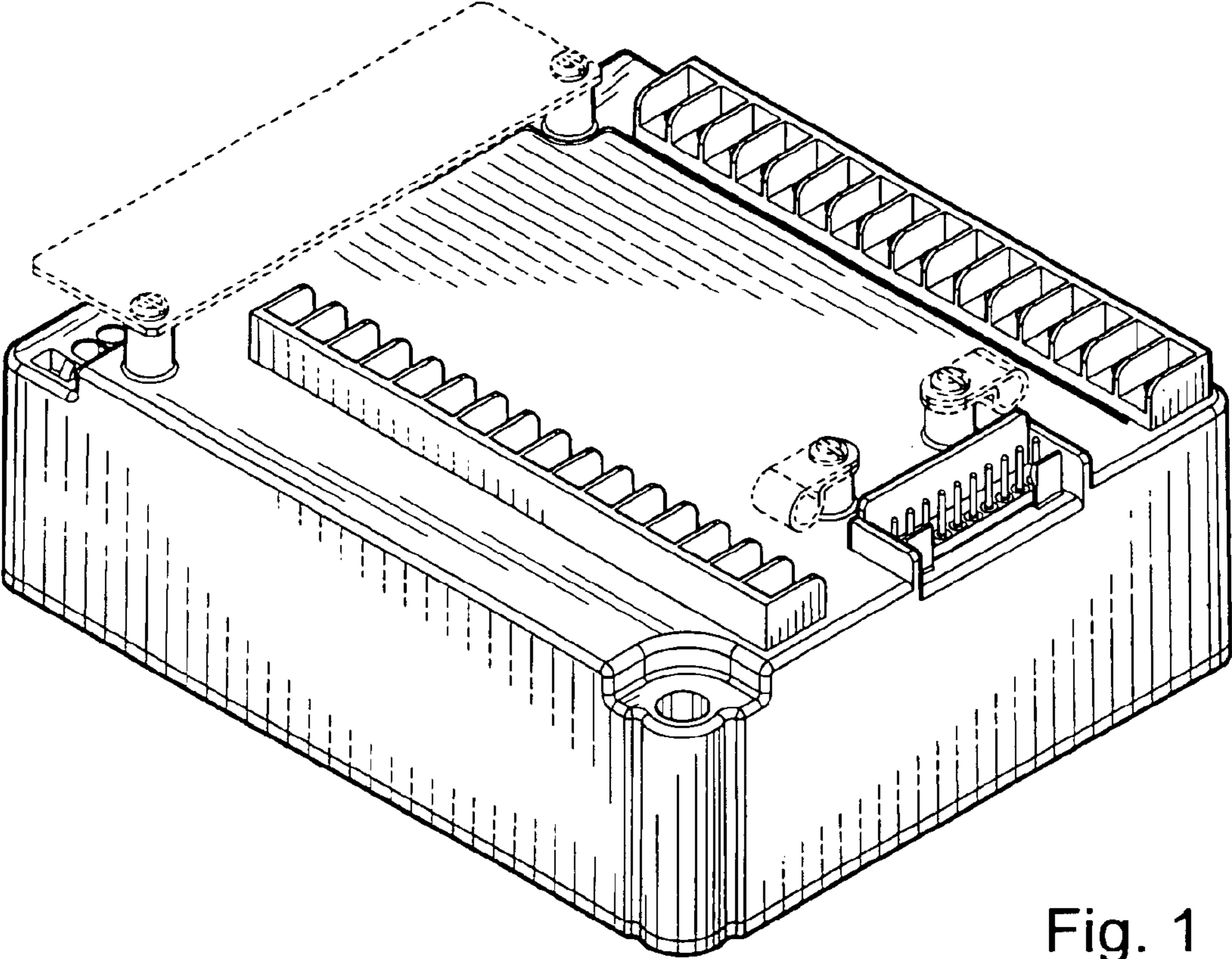


Fig. 1

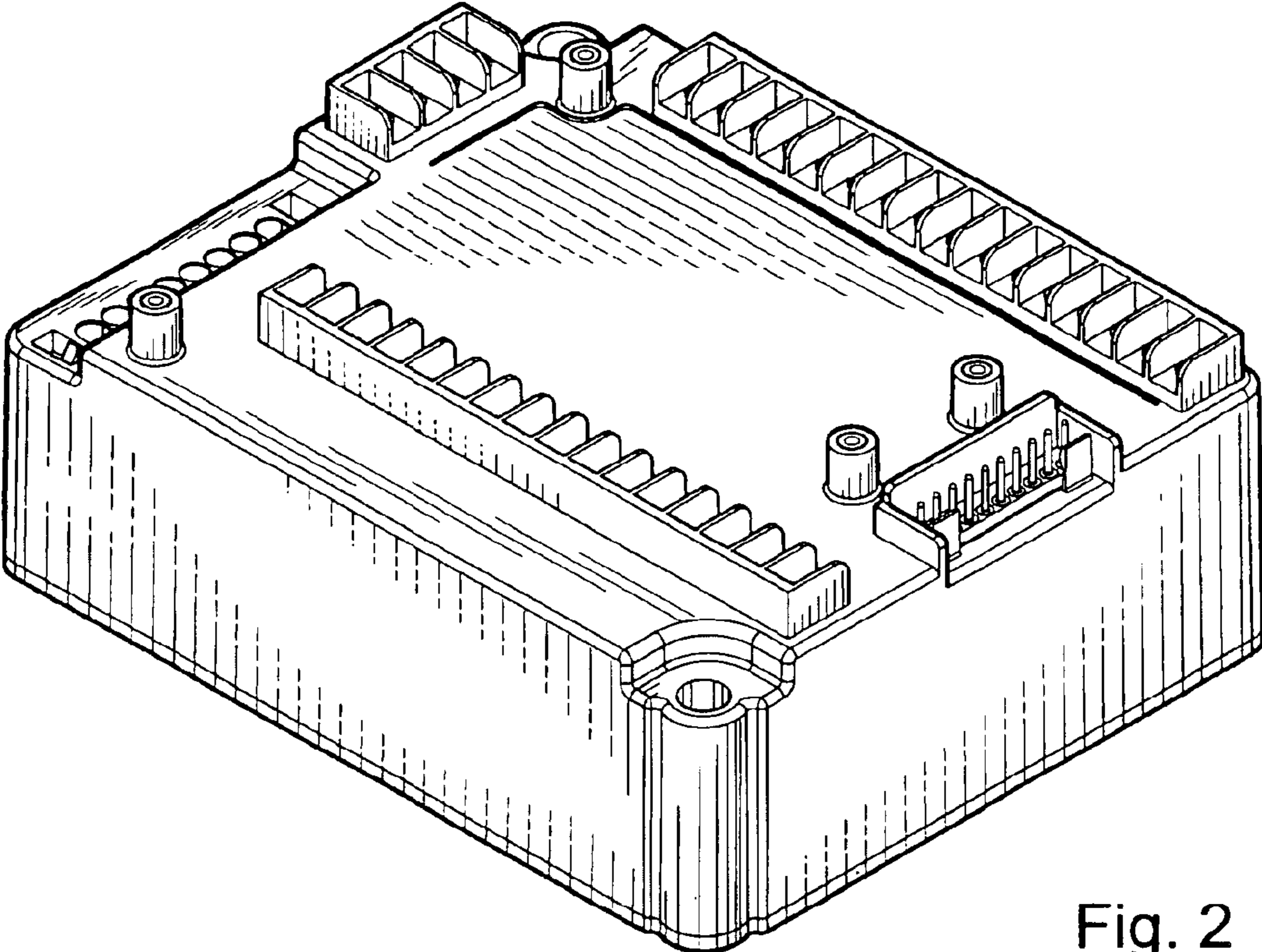


Fig. 2

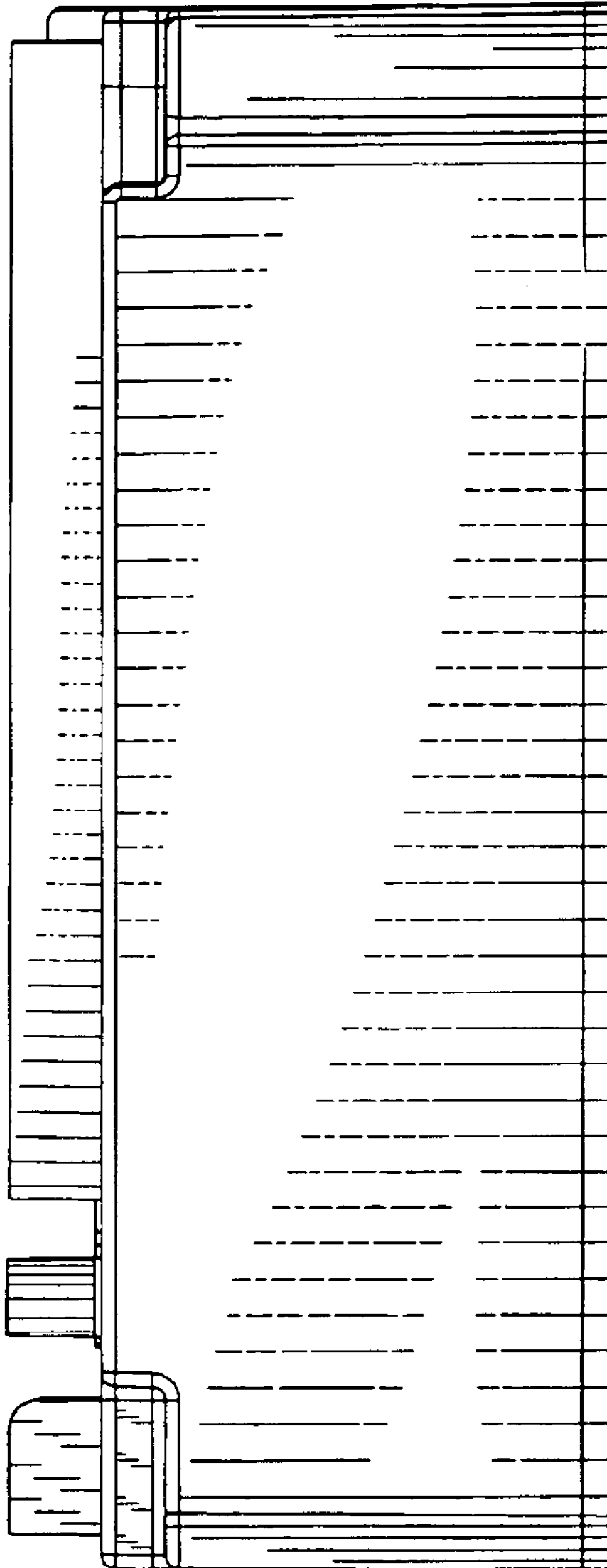


Fig. 3



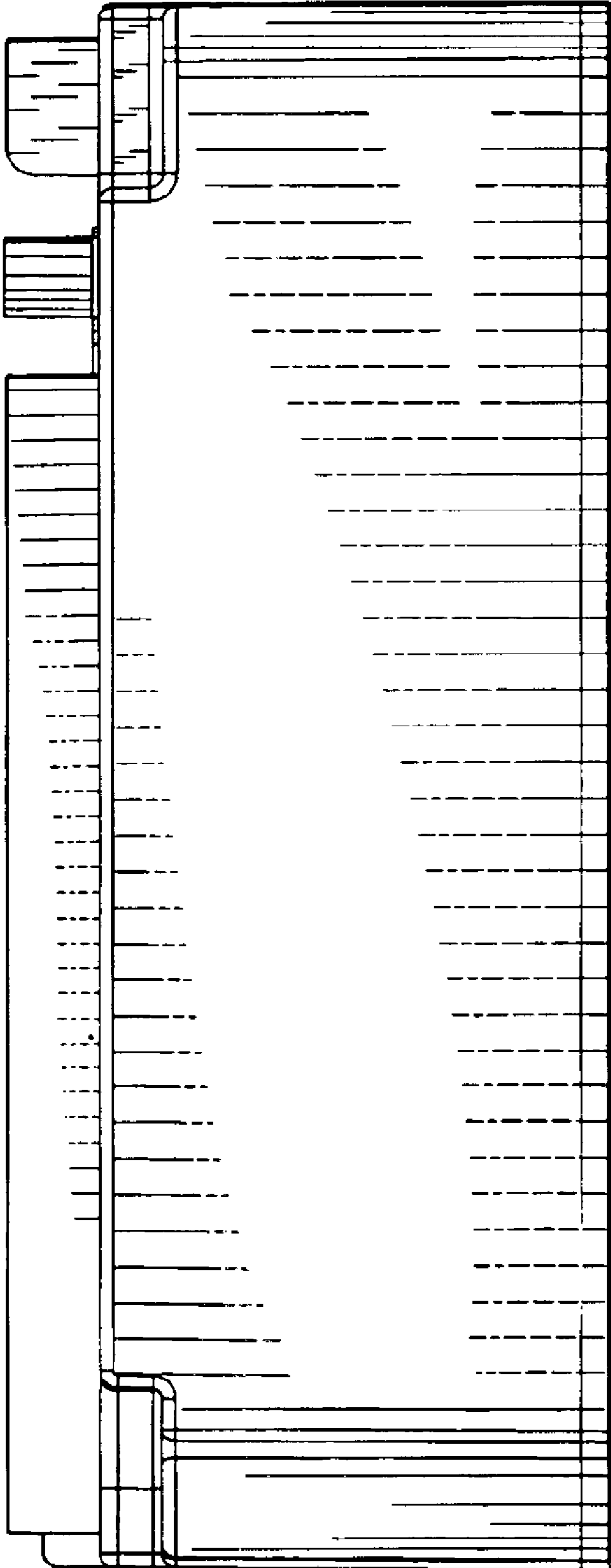


Fig. 4

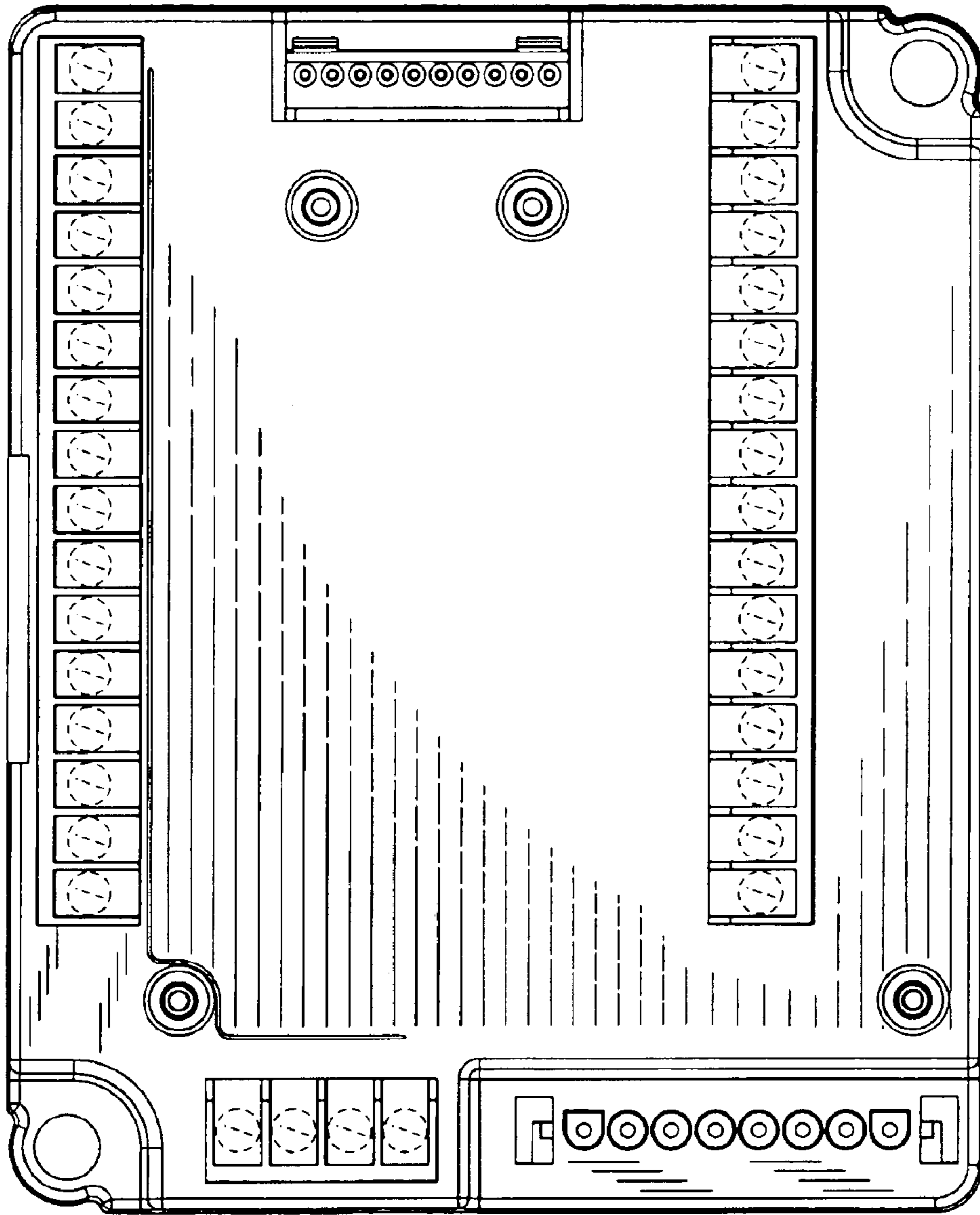


Fig. 5

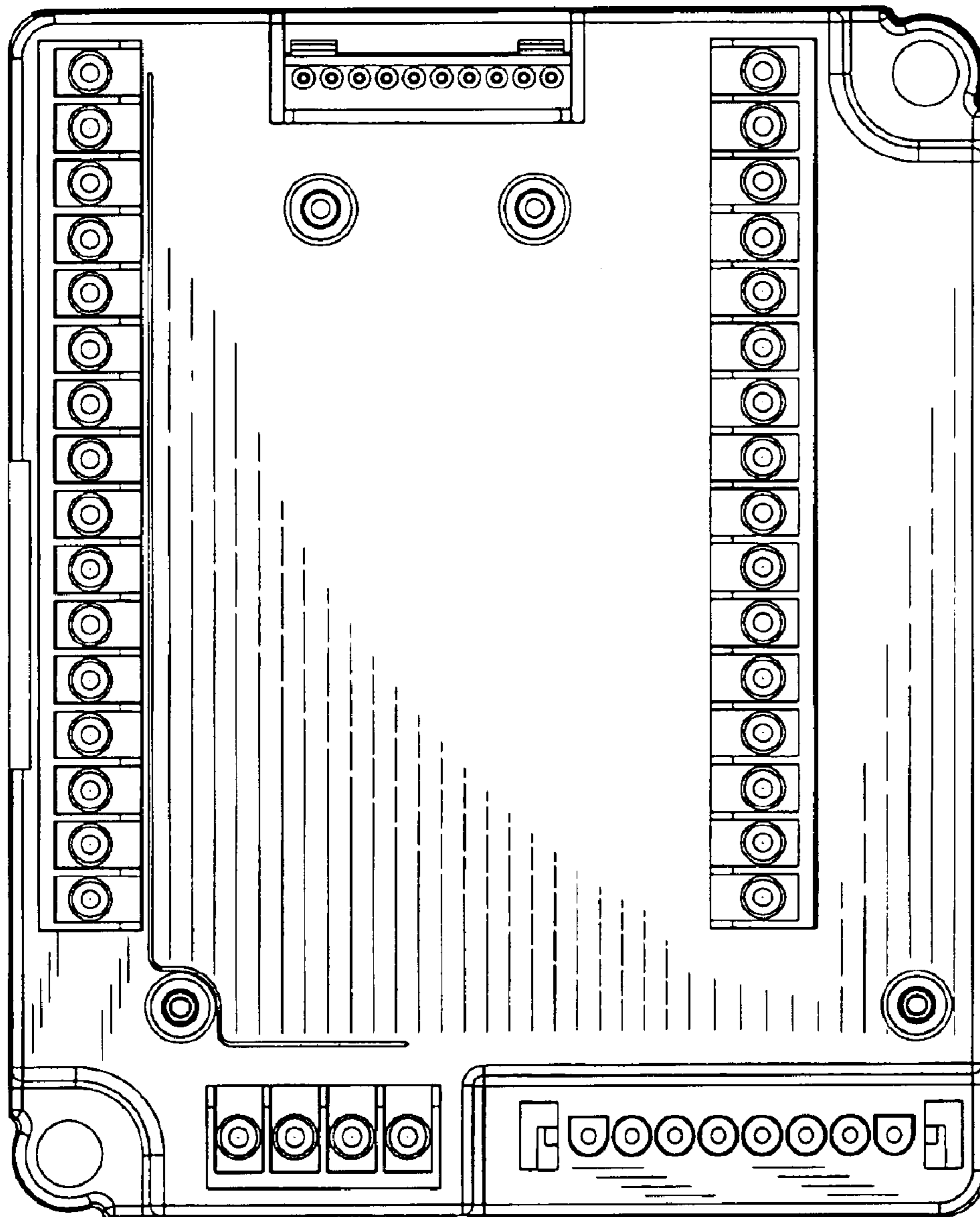


Fig. 6

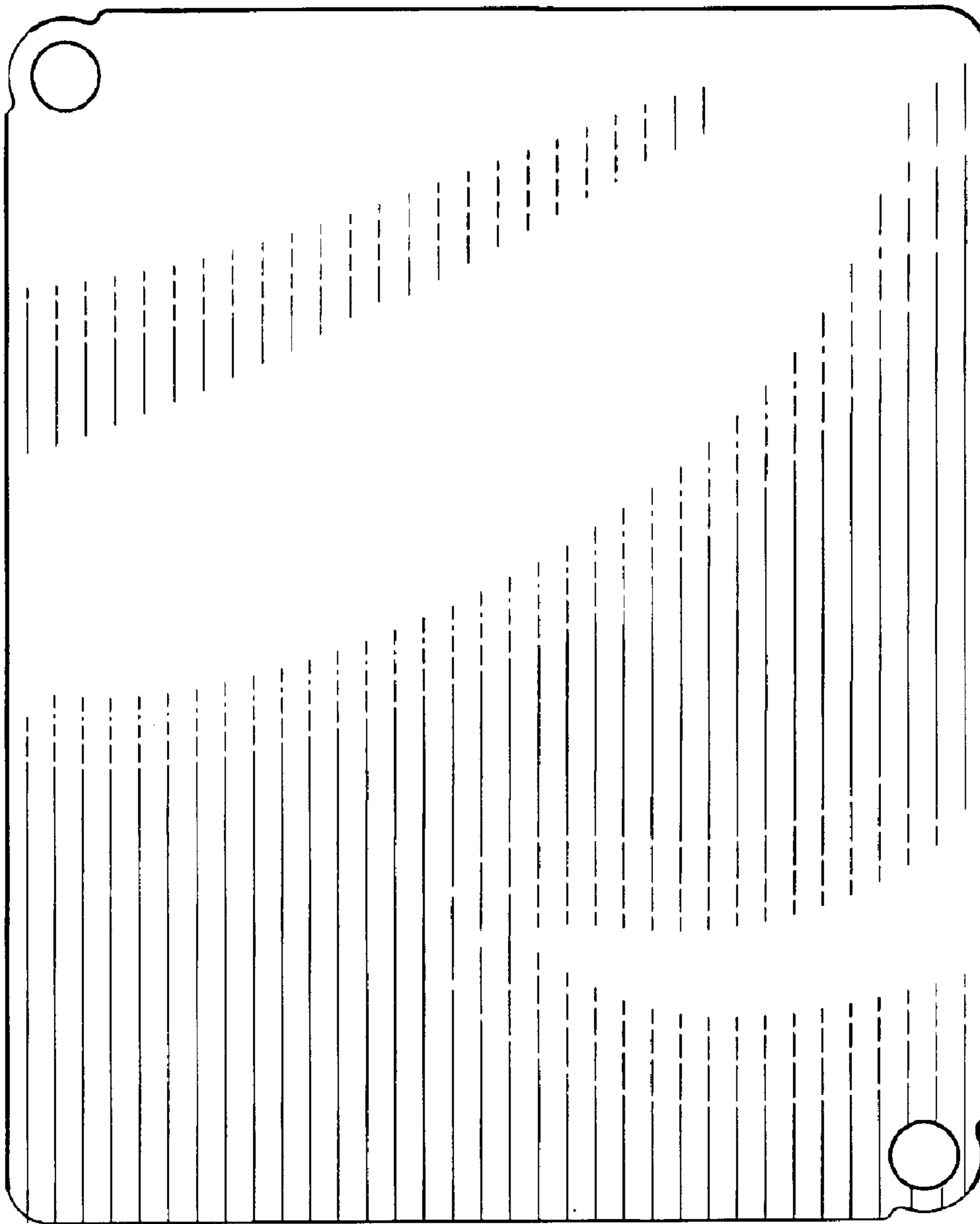


Fig. 7



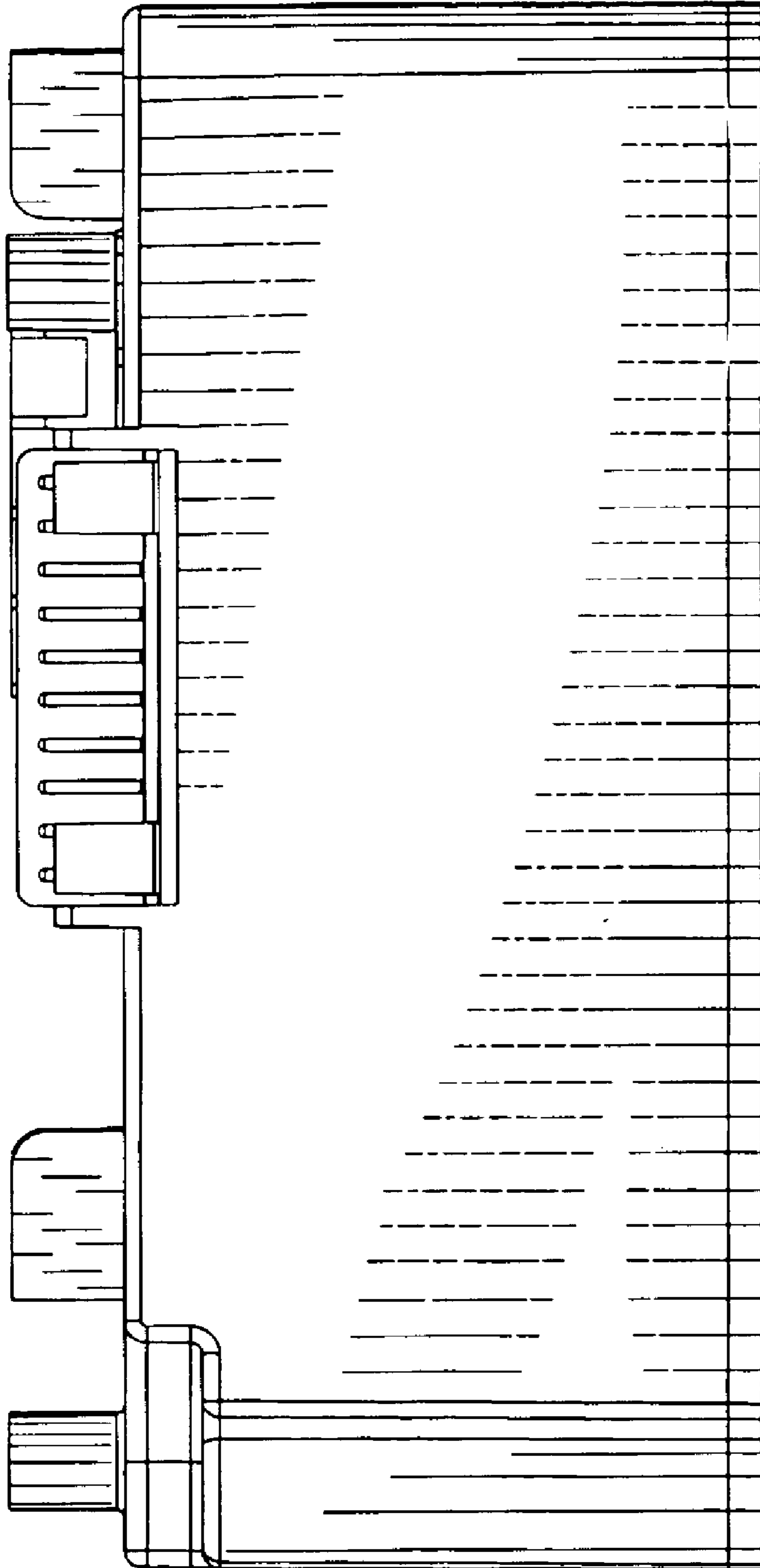


Fig. 8

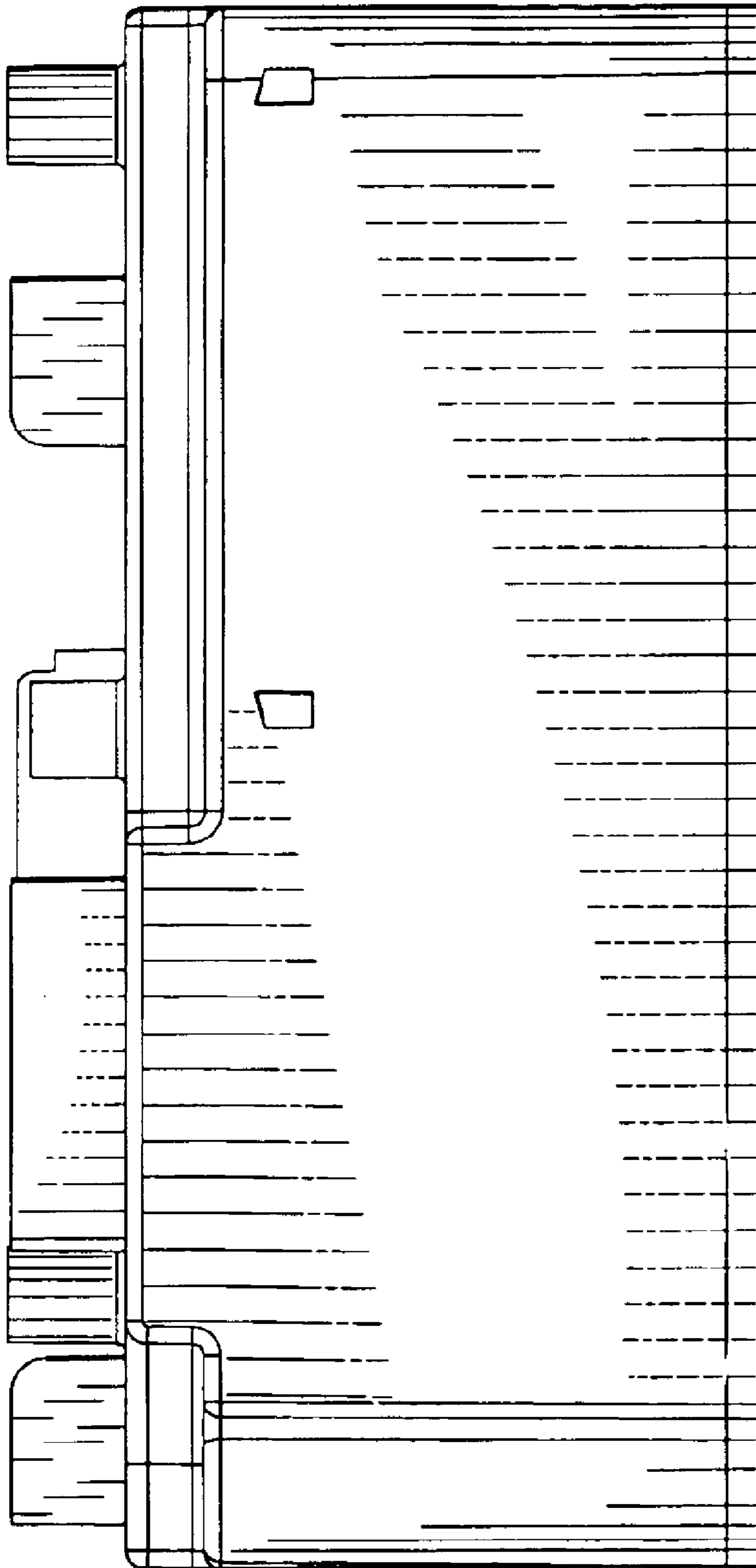


Fig. 9