



US00D510341S

(12) **United States Design Patent** (10) **Patent No.:** **US D510,341 S**
Goldstein (45) **Date of Patent:** **** Oct. 4, 2005**

(54) **TELEVISION COVER WITH HOLES**

D405,906 S * 2/1999 Herst et al. D26/76
6,807,760 B2 * 10/2004 Spodek et al. 40/453

(76) Inventor: **Daniel Joshua Goldstein**, 224 Guerrero St., San Francisco, CA (US) 94103

* cited by examiner

(**) Term: **14 Years**

Primary Examiner—Raphael Barkai

(21) Appl. No.: **29/193,358**

(57) **CLAIM**

(22) Filed: **Nov. 6, 2003**

The ornamental design for a television cover with holes, as shown and described.

(51) **LOC (8) Cl.** **14-03**

DESCRIPTION

(52) **U.S. Cl.** **D14/239**; D26/52

(58) **Field of Search** D14/432, 439–450,
D14/125, 239; D26/51–52, 105, 108, 118–128,
76; 312/7.2; 348/834, 823, 832; 359/443,
891, 887; 40/453; 181/289

FIG. 1 is a front perspective view of a television cover with holes showing my new design;
FIG. 2 is a front elevational view thereof;
FIG. 3 is a rear perspective view of thereof;
FIG. 4 is a rear elevational view thereof;
FIG. 5 is a rear perspective view thereof;
FIG. 6 is a rear elevational view thereof;
FIG. 7 is a top view thereof;
FIG. 8 is a bottom view thereof;
FIG. 9 is a left side elevational view thereof; the right side being a mirror image thereof;
FIG. 10 is a front perspective view thereof; and,
FIG. 11 is a rear elevational view of thereof.

(56) **References Cited**

U.S. PATENT DOCUMENTS

D142,287 S	*	8/1945	Miller	D26/120
2,496,752 A	*	2/1950	Rose	312/7.2
D157,862 S	*	3/1950	Greenwood et al.	D14/239
2,850,110 A	*	9/1958	Benjamin	181/289
2,942,254 A	*	6/1960	Beers	348/834
2,977,412 A	*	3/1961	Rhodes et al.	348/823
3,012,461 A	*	12/1961	McCall	359/887
3,561,850 A	*	2/1971	Shaffer	359/891
3,646,266 A	*	2/1972	Hassell	348/832
D267,352 S	*	12/1982	Suzuki	D26/118
5,755,504 A	*	5/1998	Matsunaga	359/443

The broken line showings of the television and/or the bracket which rests on the television found in FIGS. 3, 4, 7, 8, 9, 10, and 11 are for illustrative purposes only and form no part of the claimed design.

1 Claim, 6 Drawing Sheets

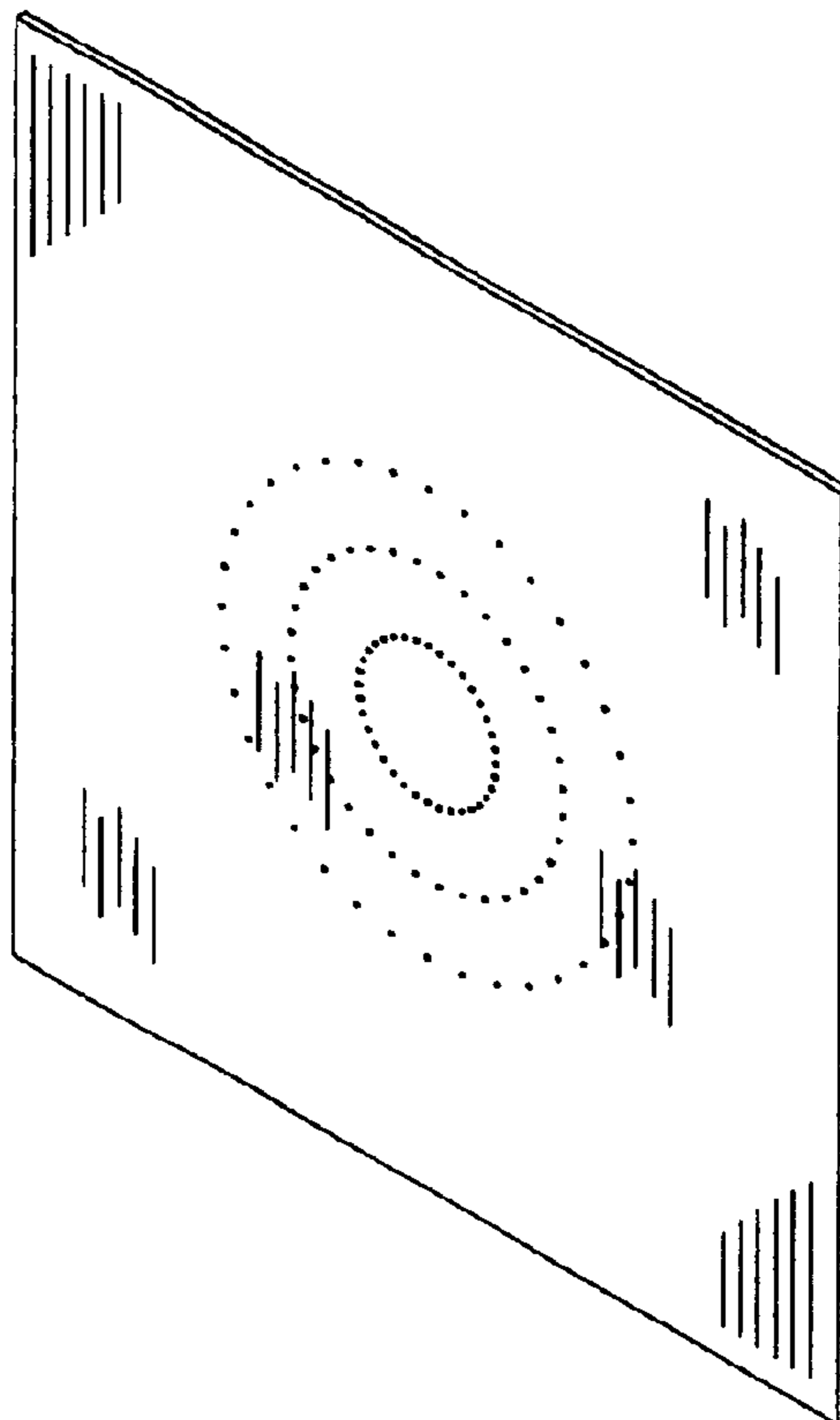


FIG. 1

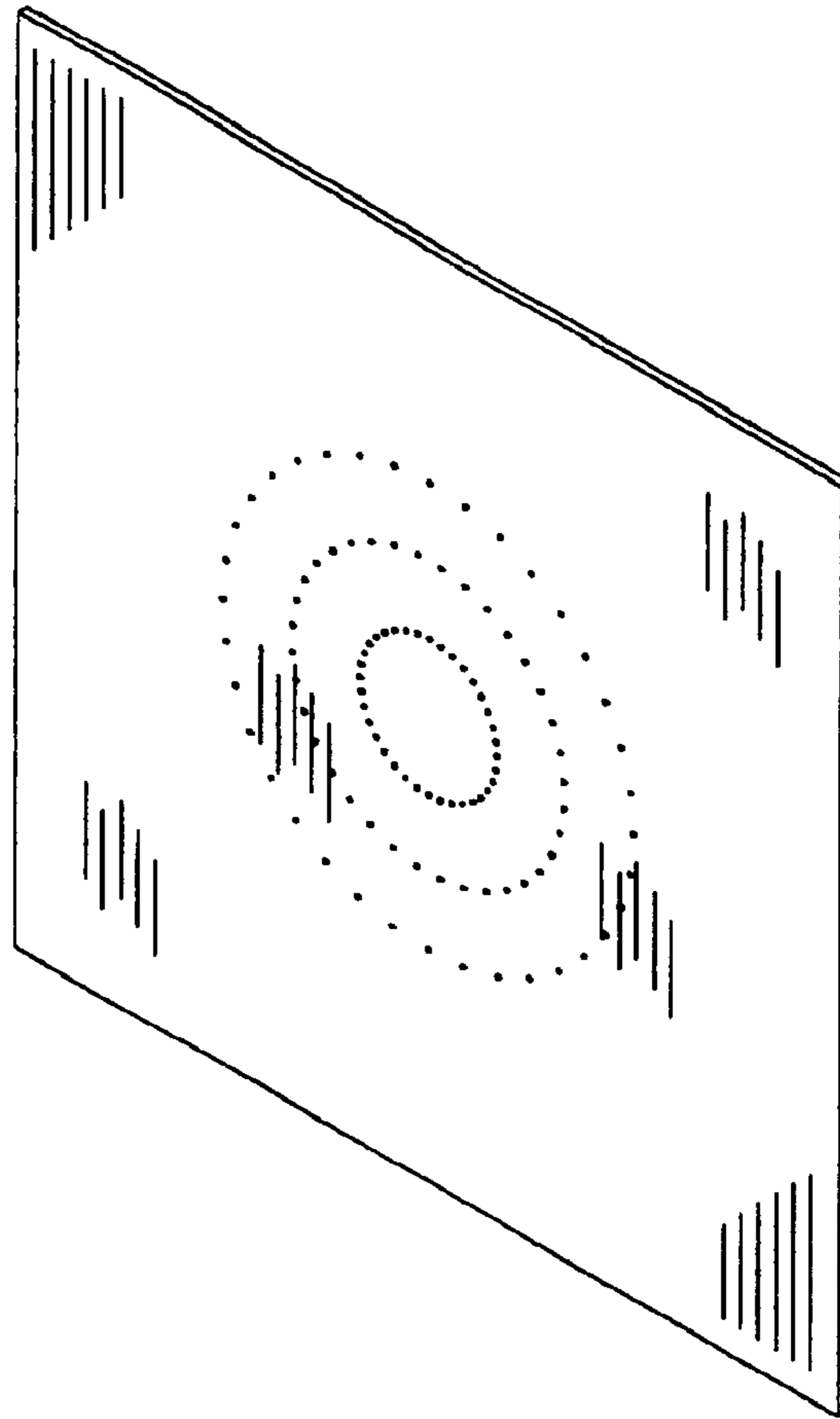


FIG. 2

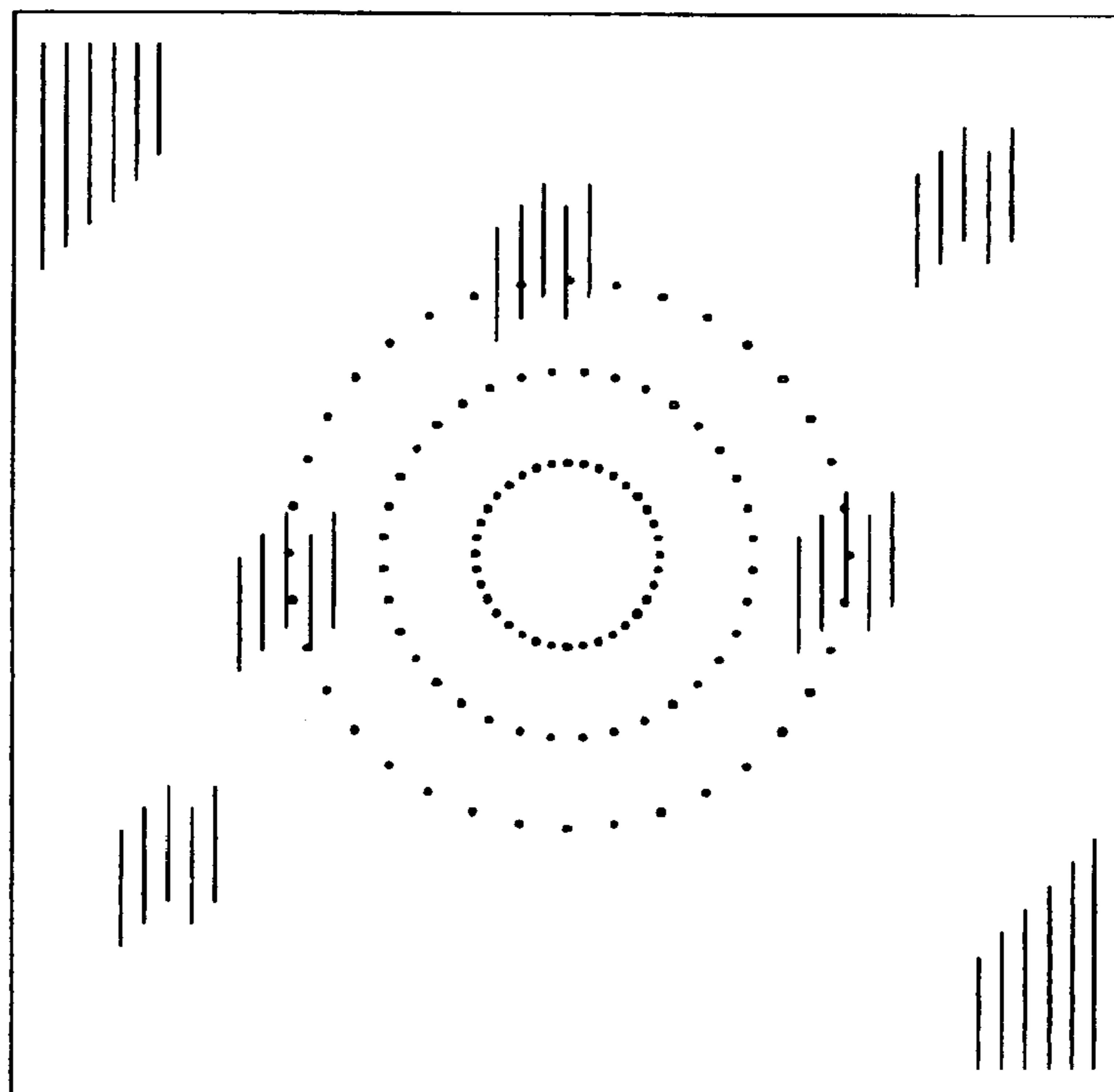


FIG. 3

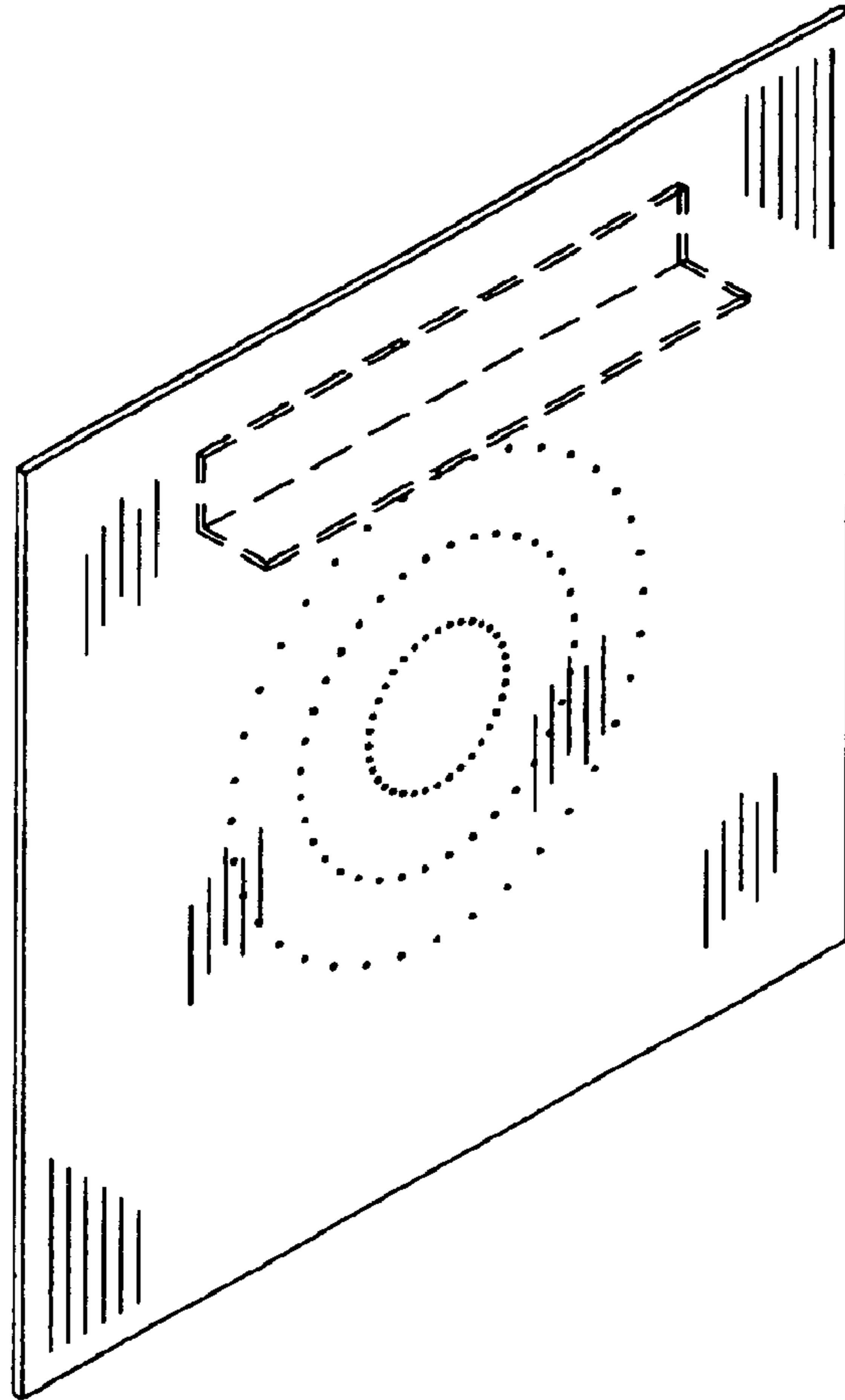


FIG. 4

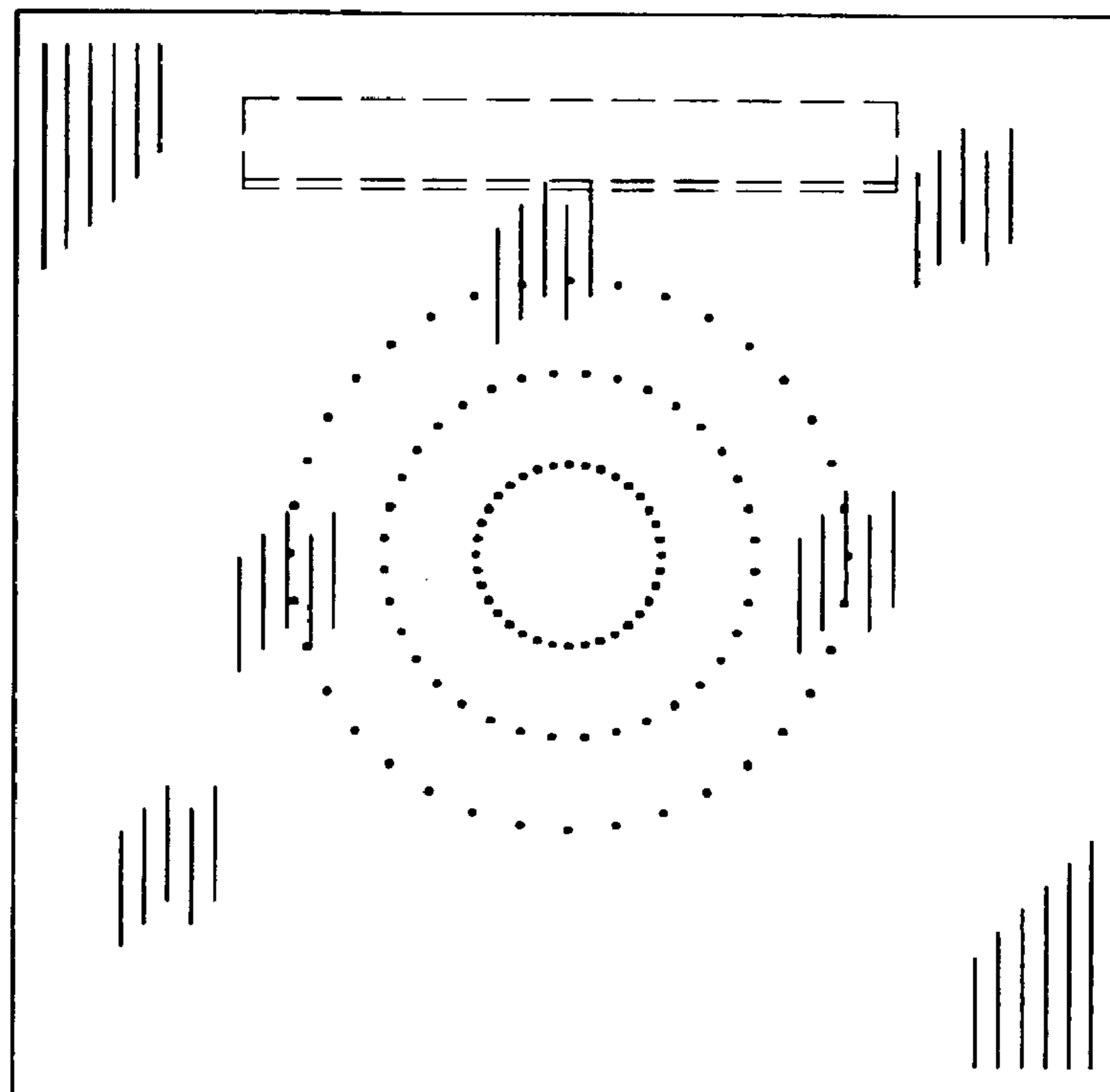


FIG. 5

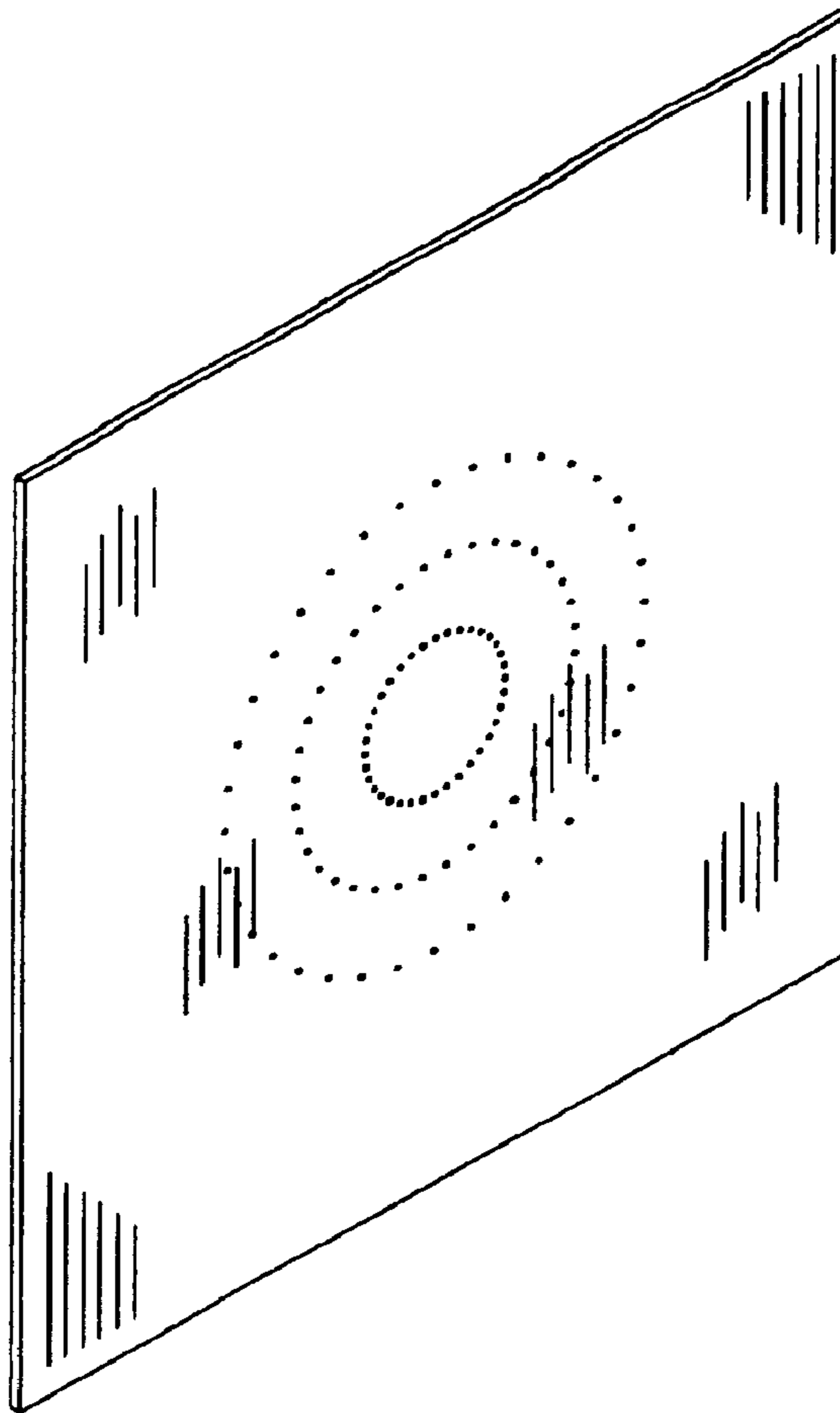


FIG. 6

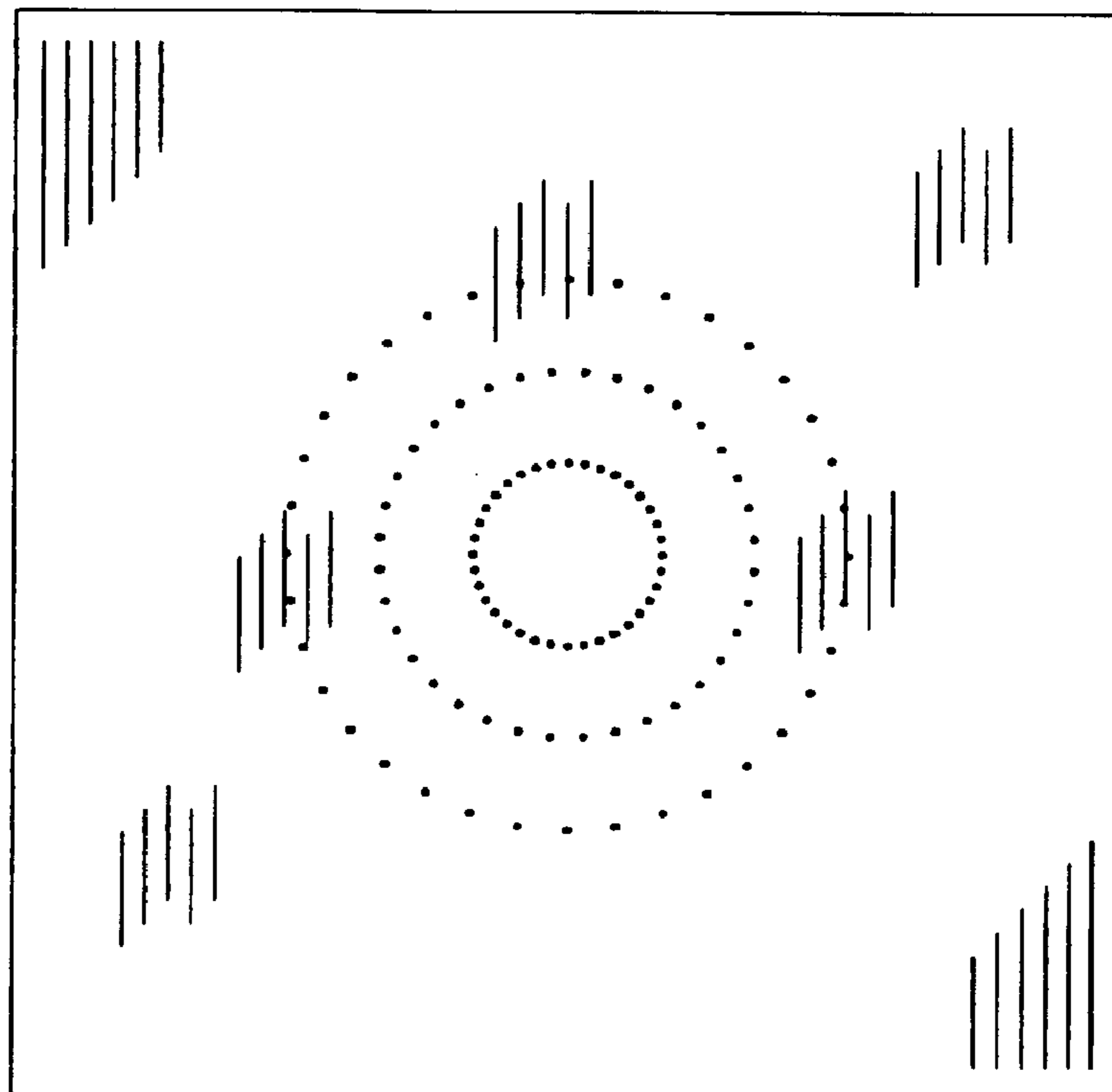


FIG. 7

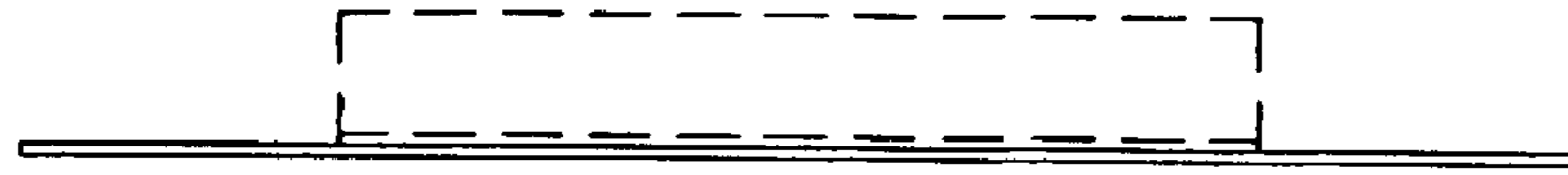


FIG. 8

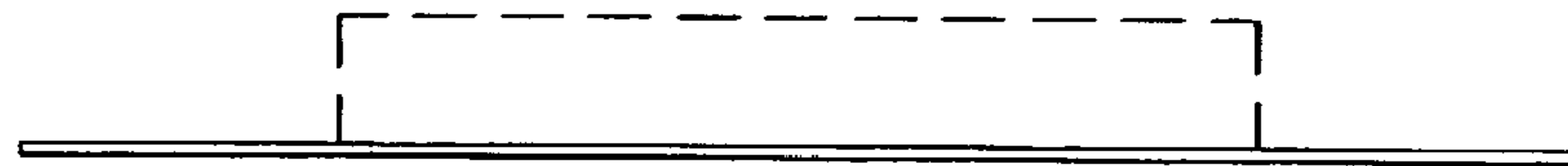


FIG. 9



FIG. 10

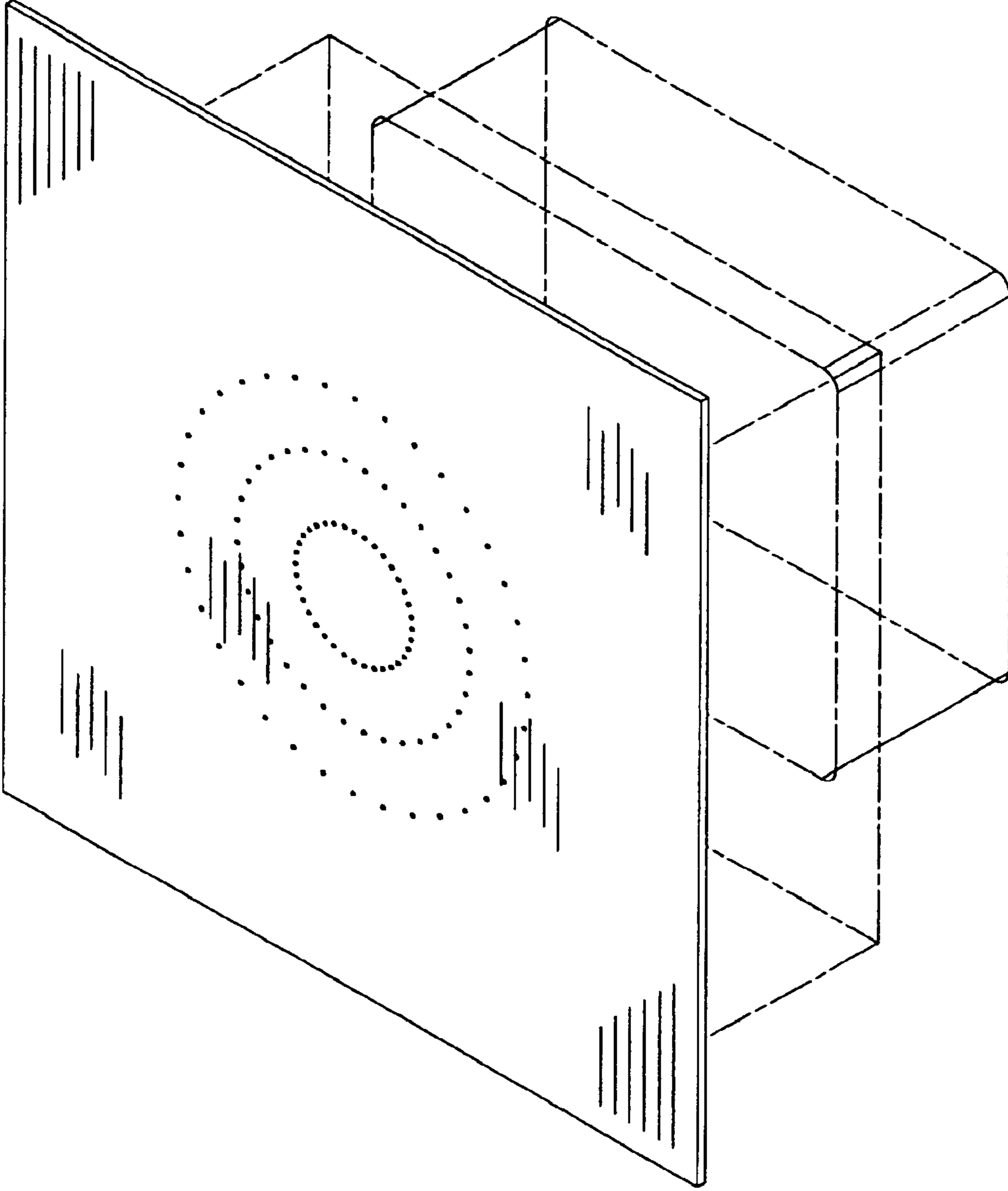


FIG. 11

