



US00D510339S

(12) **United States Design Patent**  
**Taylor**

(10) **Patent No.:** **US D510,339 S**

(45) **Date of Patent:** **\*\* Oct. 4, 2005**

(54) **LOUDSPEAKER**

(75) **Inventor:** **Laura Kay Taylor, Allston, MA (US)**

(73) **Assignee:** **Bose Corporation, Framingham, MA (US)**

(\*\*) **Term:** **14 Years**

(21) **Appl. No.:** **29/189,524**

(22) **Filed:** **Sep. 5, 2003**

(51) **LOC (8) Cl.** ..... **14-01**

(52) **U.S. Cl.** ..... **D14/215**

(58) **Field of Search** ..... D14/204, 207,  
D14/209-216, 356; 181/143-144, 147-148,  
150, 157, 198-199, 151, 153; 381/300-302,  
306, 333, 345, 361-364, 386-388, 332,  
336

(56) **References Cited**

**U.S. PATENT DOCUMENTS**

D199,676 S \* 12/1964 Reed ..... D14/215

D317,008 S \* 5/1991 Emmerling ..... D14/215

5,937,074 A \* 8/1999 Carver ..... 181/199

D444,457 S \* 7/2001 Kuo ..... D14/214

D449,036 S \* 10/2001 Weikel et al. .... D14/214

\* cited by examiner

*Primary Examiner*—Nanda Bondade

(74) *Attorney, Agent, or Firm*—Fish & Richardson P.C.

(57) **CLAIM**

The ornamental design for a loudspeaker, substantially as shown and described.

**DESCRIPTION**

FIG. 1 is a front perspective view of a loudspeaker showing my new design;

FIG. 2 is a top plan view thereof;

FIG. 3 is a left side elevational view thereof;

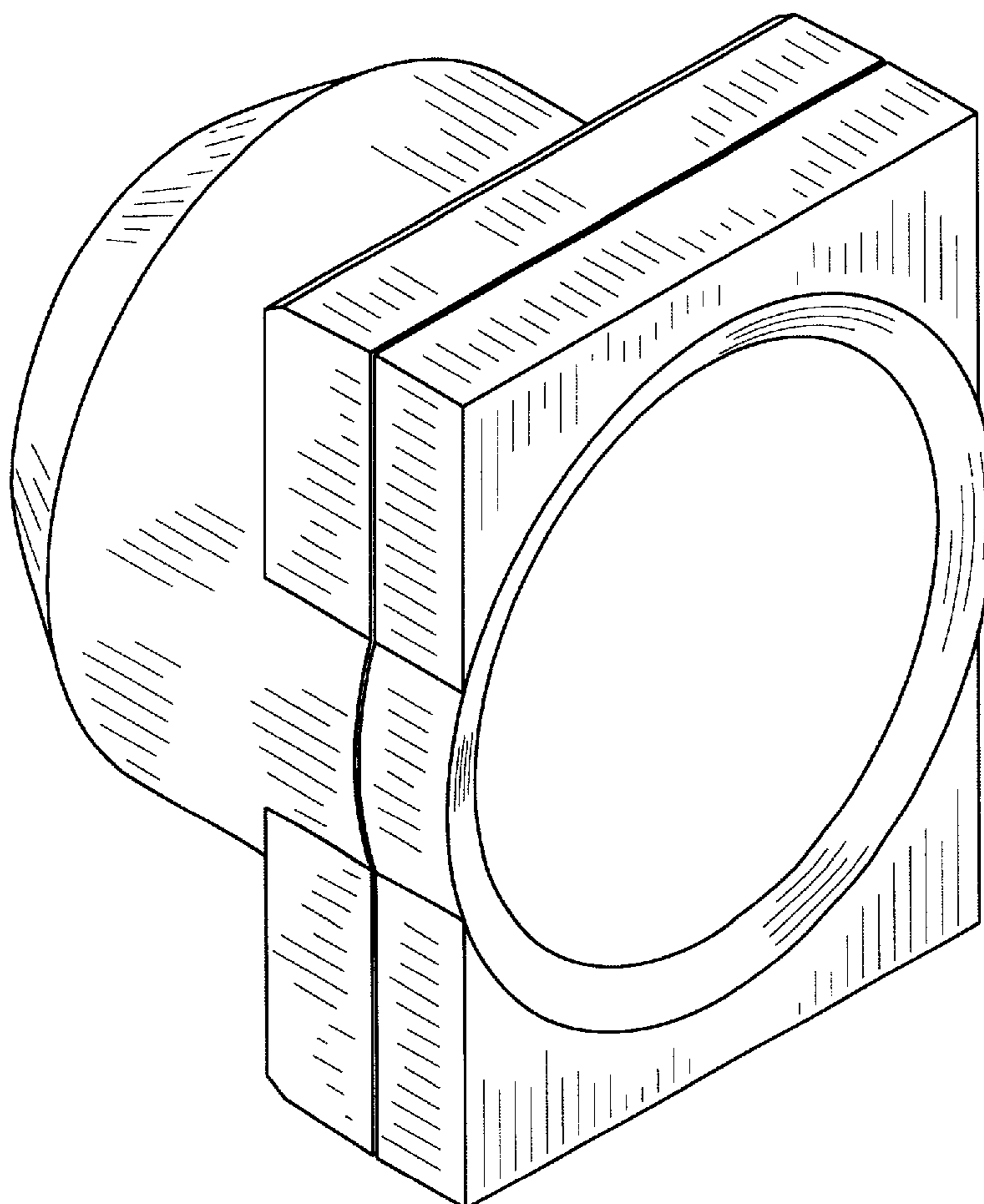
FIG. 4 is a front elevational view thereof;

FIG. 5 is a right side elevational view thereof;

FIG. 6 is a bottom plan view thereof; and,

FIG. 7 is a rear elevational view thereof.

**1 Claim, 4 Drawing Sheets**



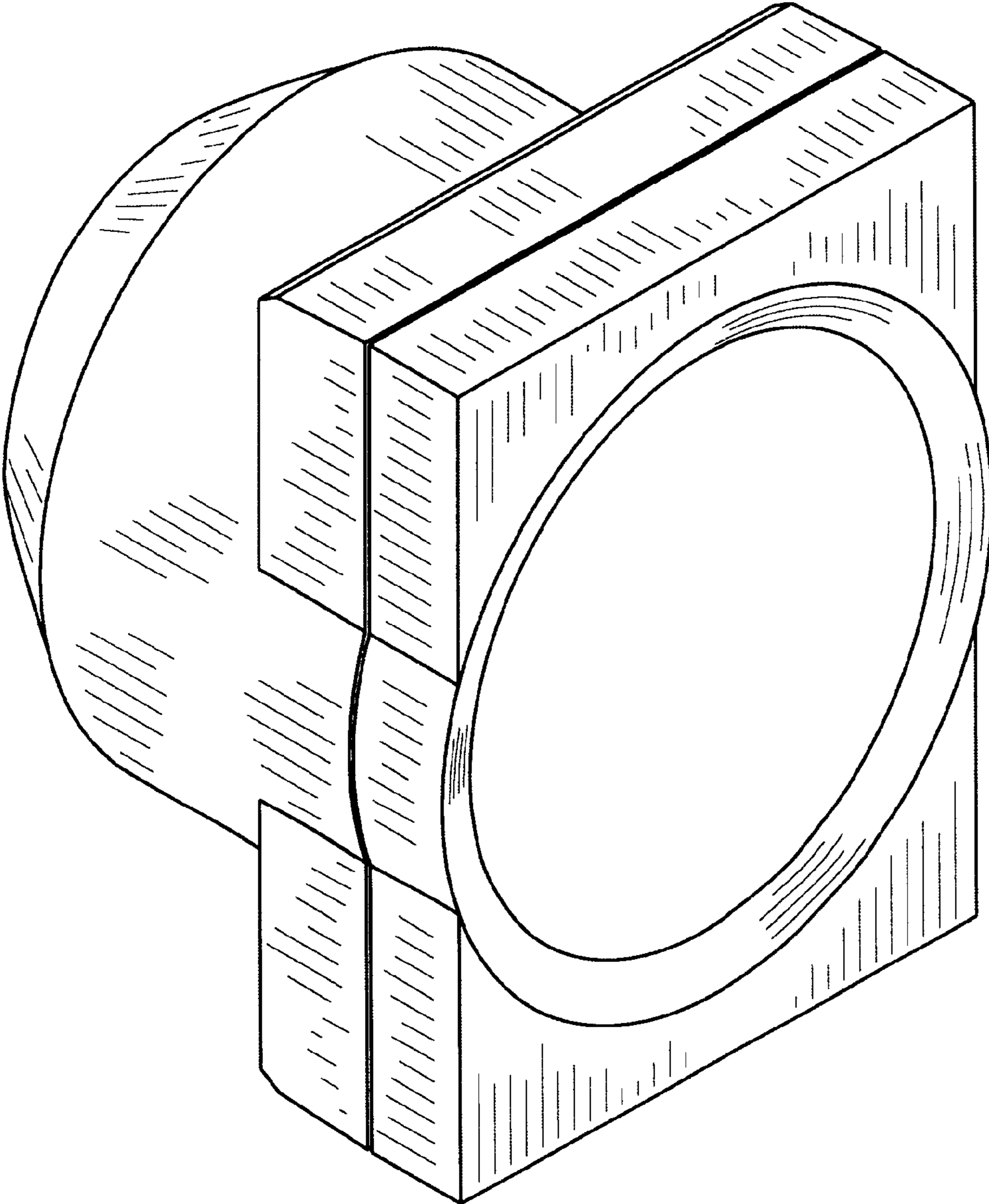


FIG. 1

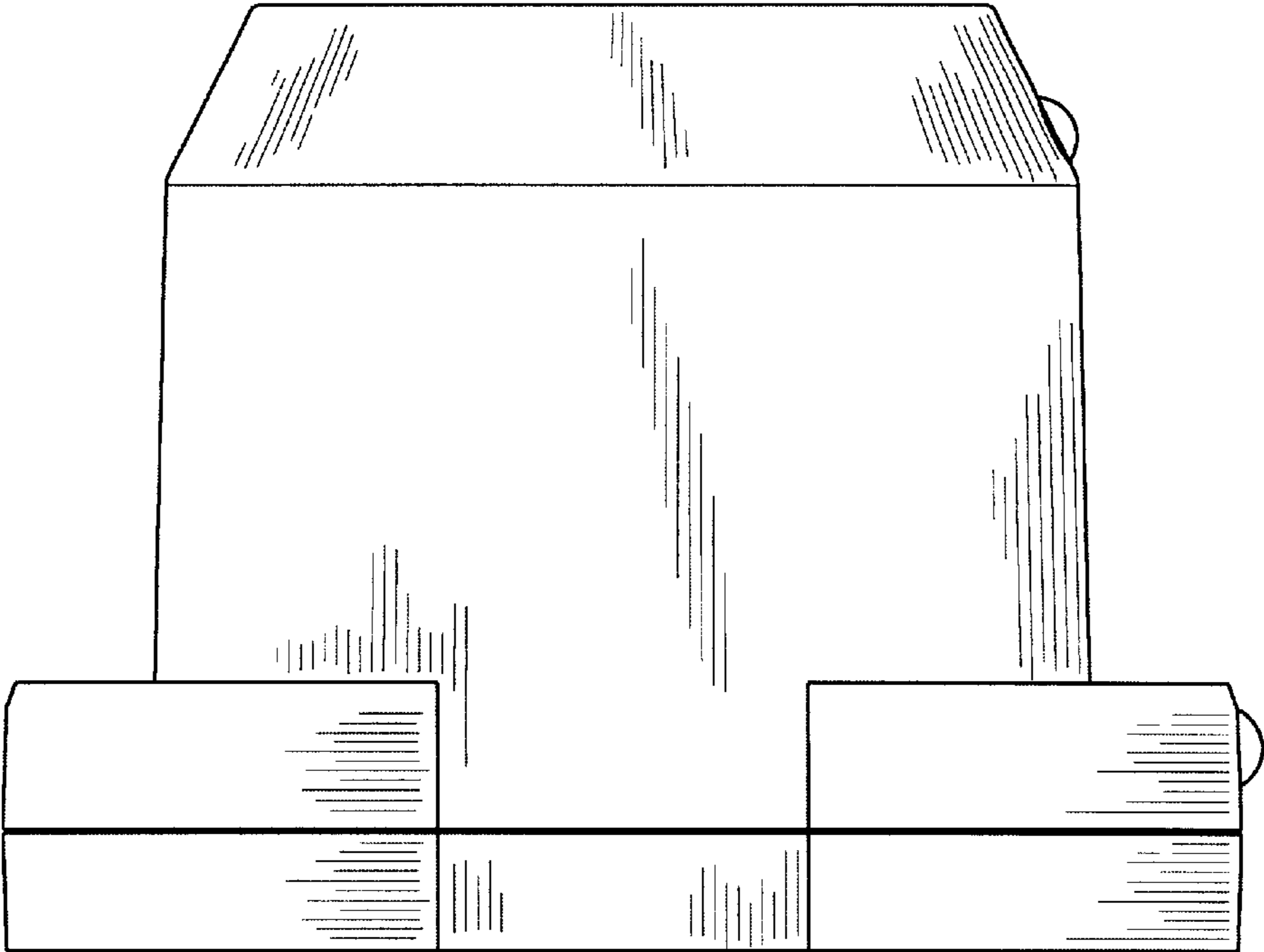


FIG. 2

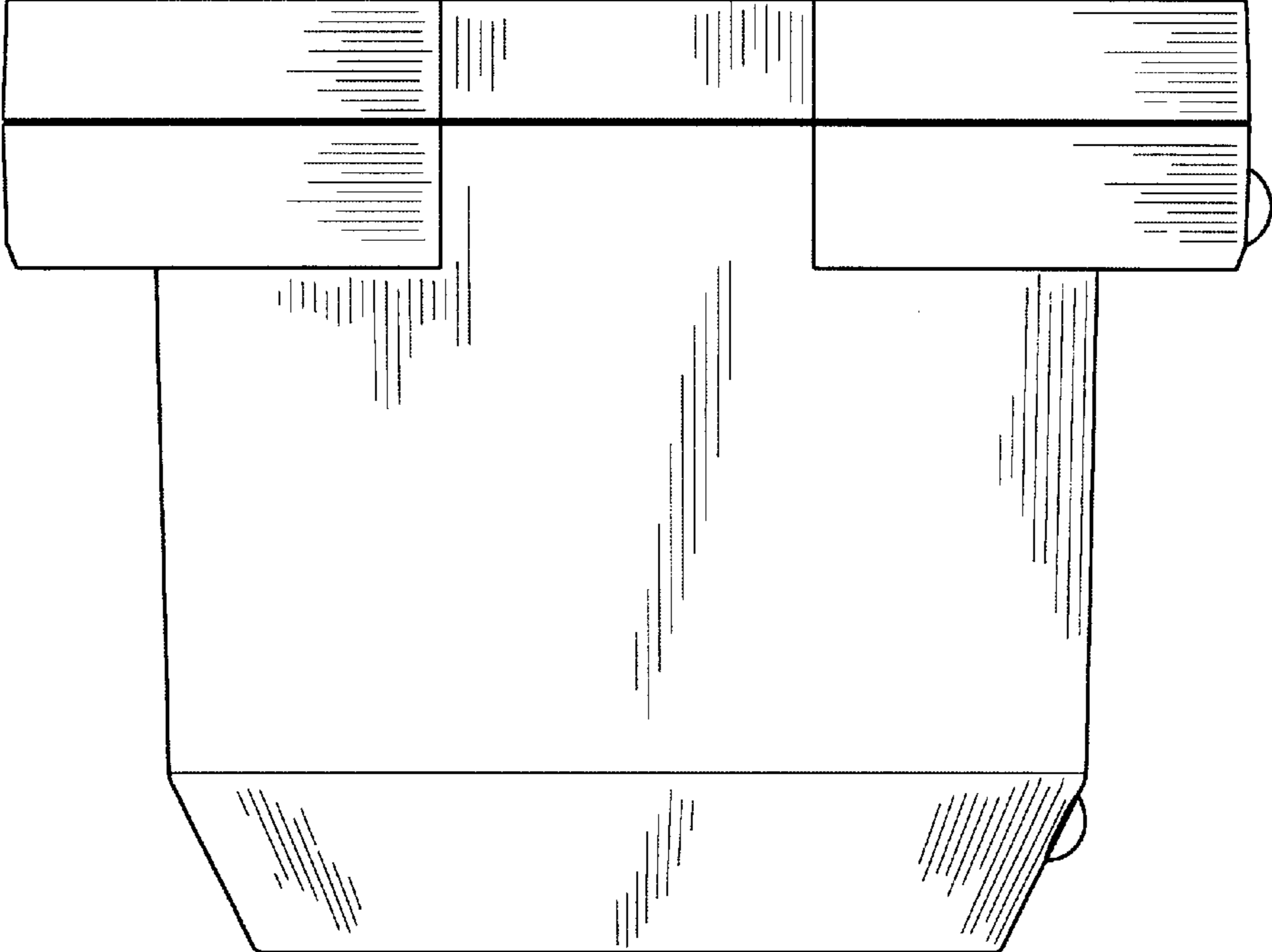


FIG. 6

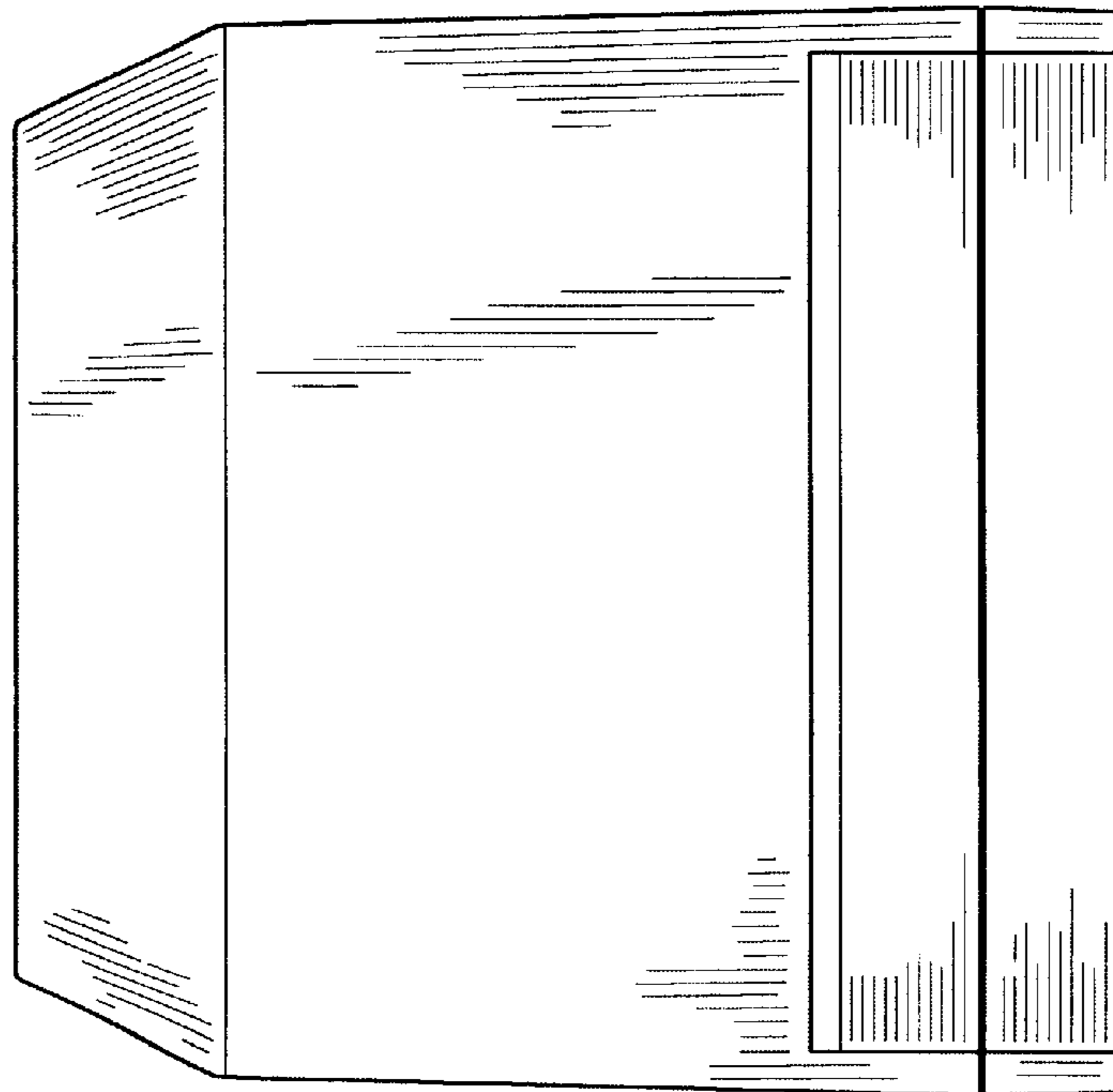


FIG. 3

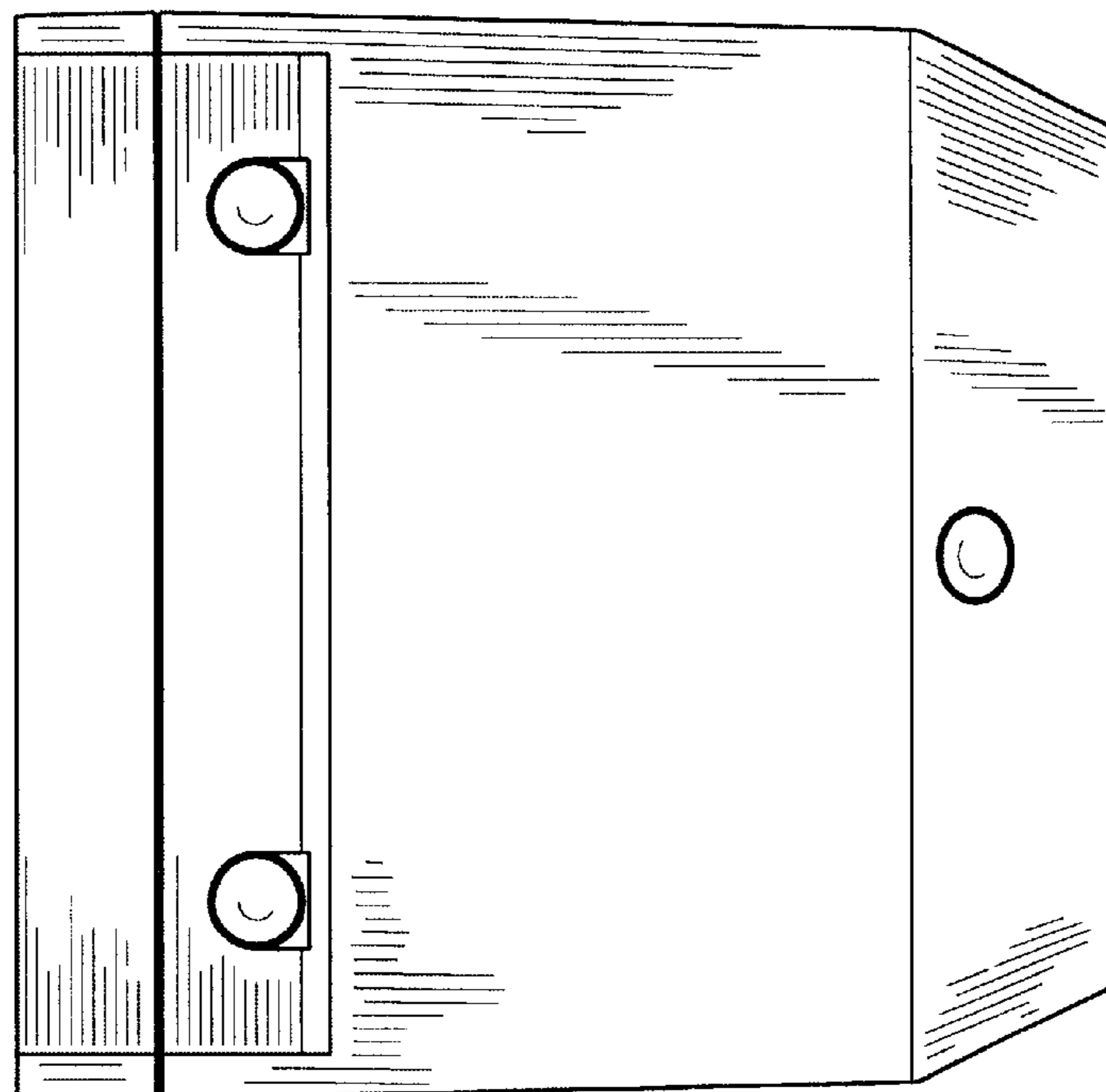


FIG. 5

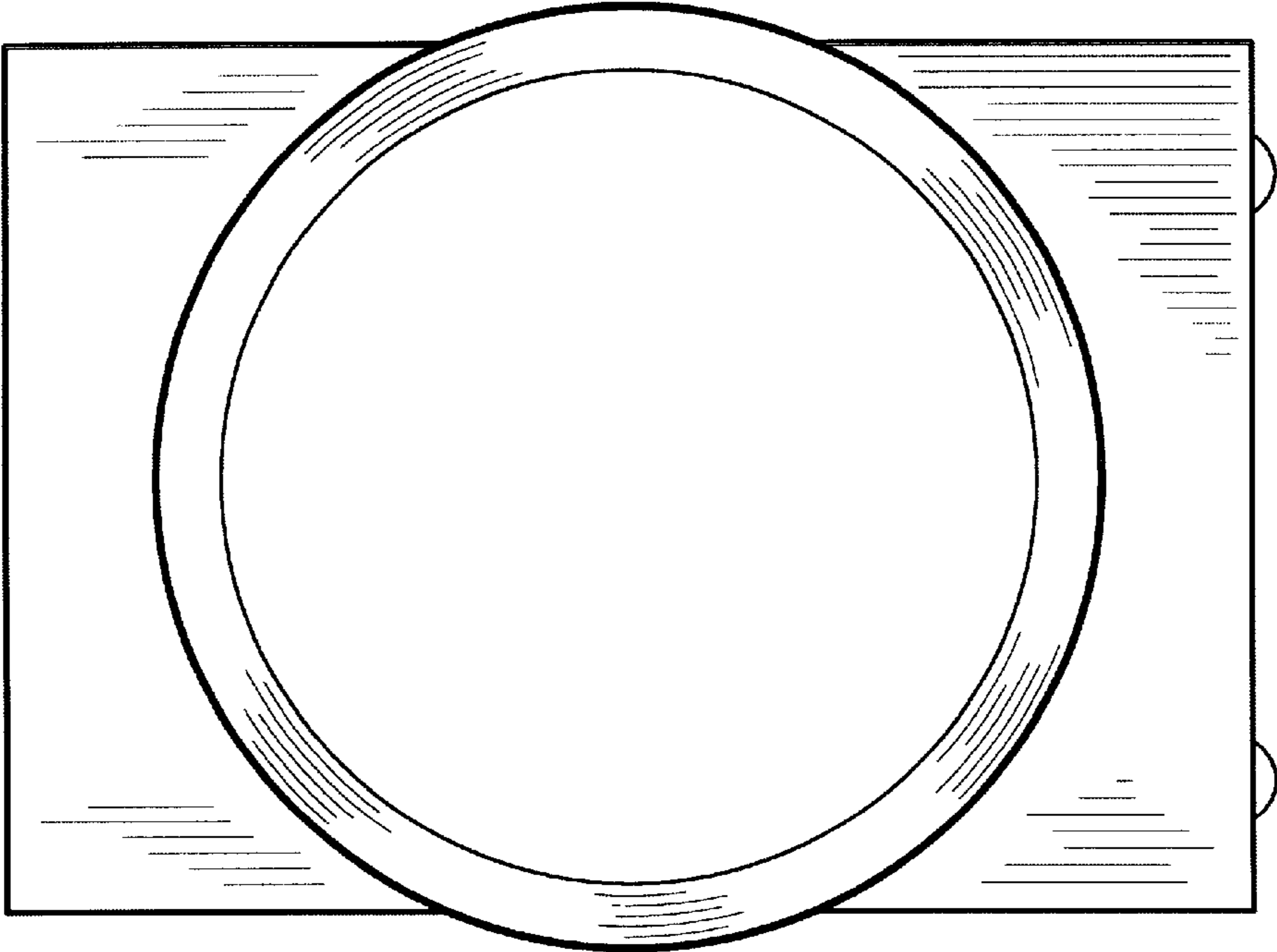


FIG. 4

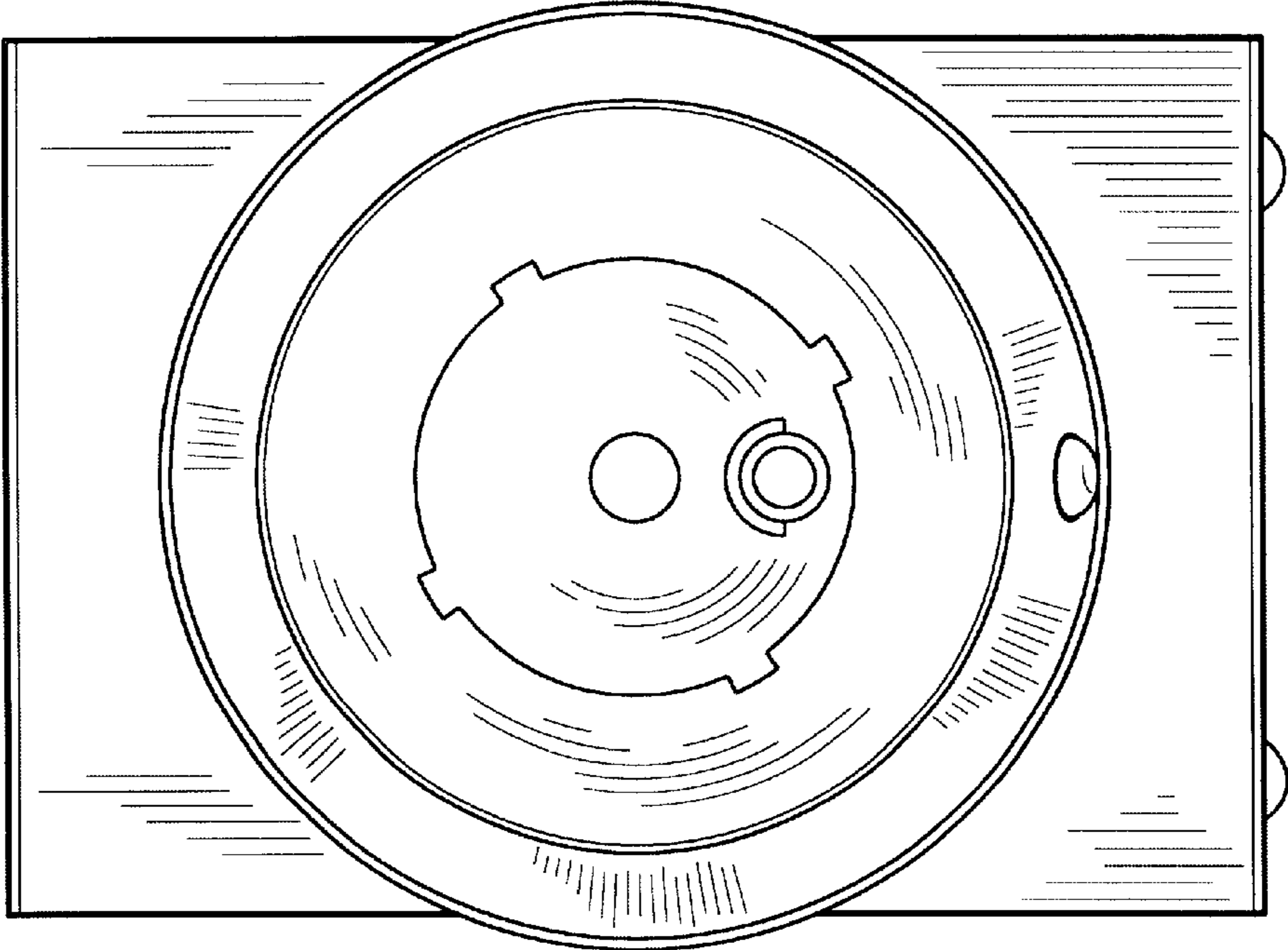


FIG. 7