



US00D510337S

(12) **United States Design Patent** (10) **Patent No.:** **US D510,337 S**
Tages (45) **Date of Patent:** **** Oct. 4, 2005**

(54) **EARBUD SPEAKER FOR CELLULAR TELEPHONE**

(75) Inventor: **Fernando Tages**, Coral Springs, FL (US)

(73) Assignee: **A.G. Findings & Mfg. Co, Inc.**, Sunrise, FL (US)

(**) Term: **14 Years**

(21) Appl. No.: **29/213,560**

(22) Filed: **Sep. 20, 2004**

(51) **LOC (8) Cl.** **14-01**

(52) **U.S. Cl.** **D14/205; D14/223**

(58) **Field of Search** D14/188, 192, D14/205, 206, 223, 249; 379/430; 381/370, 376, 377, 378, 379, 380, 381; D24/174; 181/129, 130

(56) **References Cited**

U.S. PATENT DOCUMENTS

4,736,435	A	*	4/1988	Yokoyama et al.	381/380
4,965,838	A	*	10/1990	Kamon et al.	381/380
D315,350	S	*	3/1991	Ikeda	D14/223
D318,865	S	*	8/1991	Ichikawa	D14/205
D331,062	S	*	11/1992	Kanno	D14/223
D340,932	S	*	11/1993	Yan	D14/249
D353,379	S	*	12/1994	Nakamura et al.	D14/223

D369,349	S	*	4/1996	Hayashi	D14/223
D375,500	S	*	11/1996	Bungardt et al.	D14/223
D463,397	S	*	9/2002	Bergfeldt	D14/205
D479,834	S	*	9/2003	Salazar et al.	D14/205
D494,568	S	*	8/2004	Pan	D14/223
D502,171	S	*	2/2005	Tang et al.	D14/223

* cited by examiner

Primary Examiner—Paula A. Greene

(74) *Attorney, Agent, or Firm*—Robert C. Kain, Jr.; Fleit Kain

(57) **CLAIM**

I claim the ornamental design for the earbud speaker for cellular telephone, as shown and described.

DESCRIPTION

FIG. 1 is a top-left perspective view of the earbud speaker. FIG. 2 is a front elevational view of the earbud speaker. FIG. 3 is a bottom-right perspective view of the earbud speaker.

FIG. 4 is right side view of the earbud speaker (the left side view being identical to the left side view).

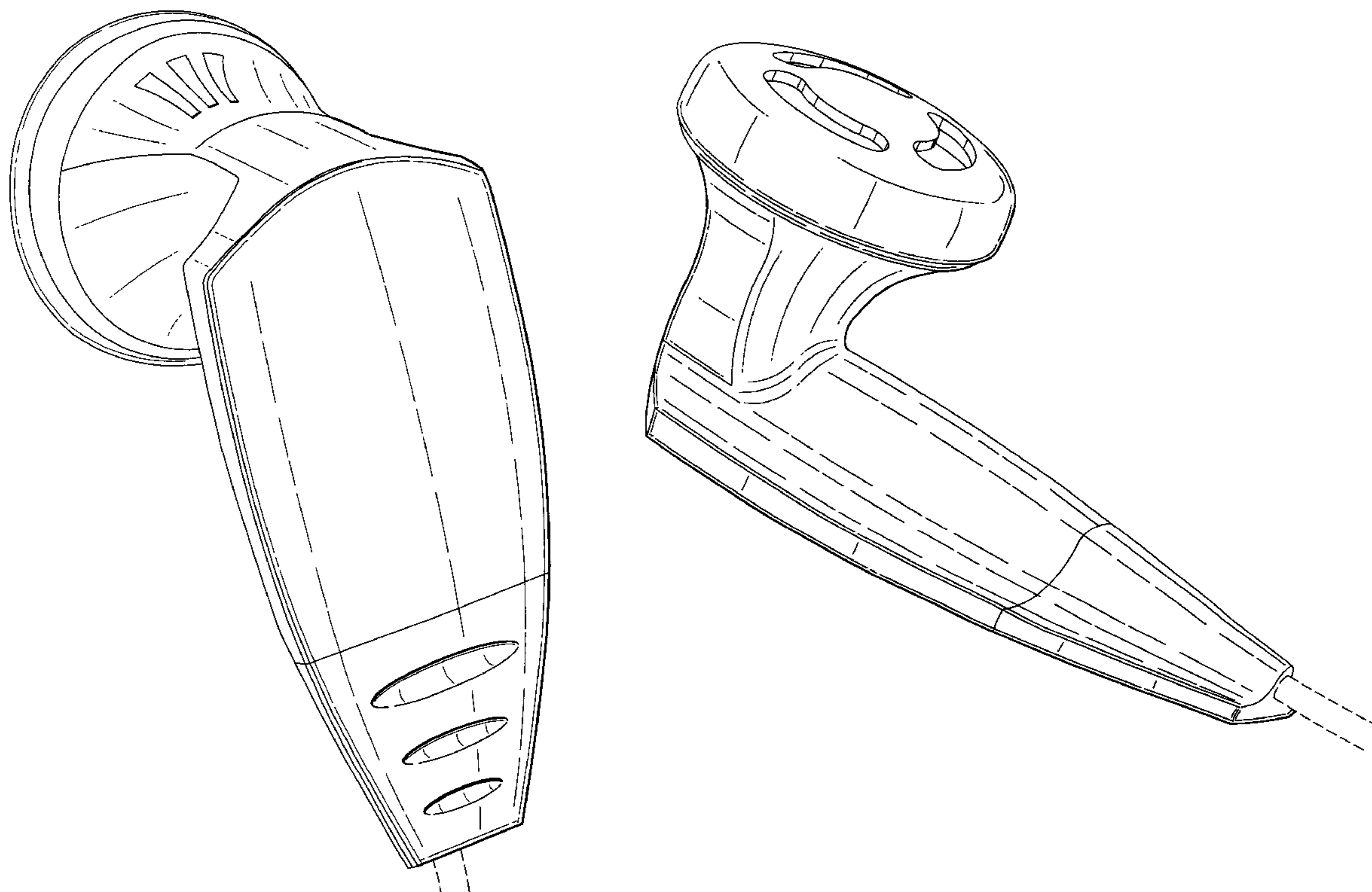
FIG. 5 is a rear view of the earbud speaker.

FIG. 6 is a top view of the earbud speaker; and,

FIG. 7 is a bottom view of the earbud speaker.

The broken lines in FIGS. 1, 2, 3, 4, 5, 7 are for illustrative purposes only and forms no part of the claimed design.

1 Claim, 6 Drawing Sheets



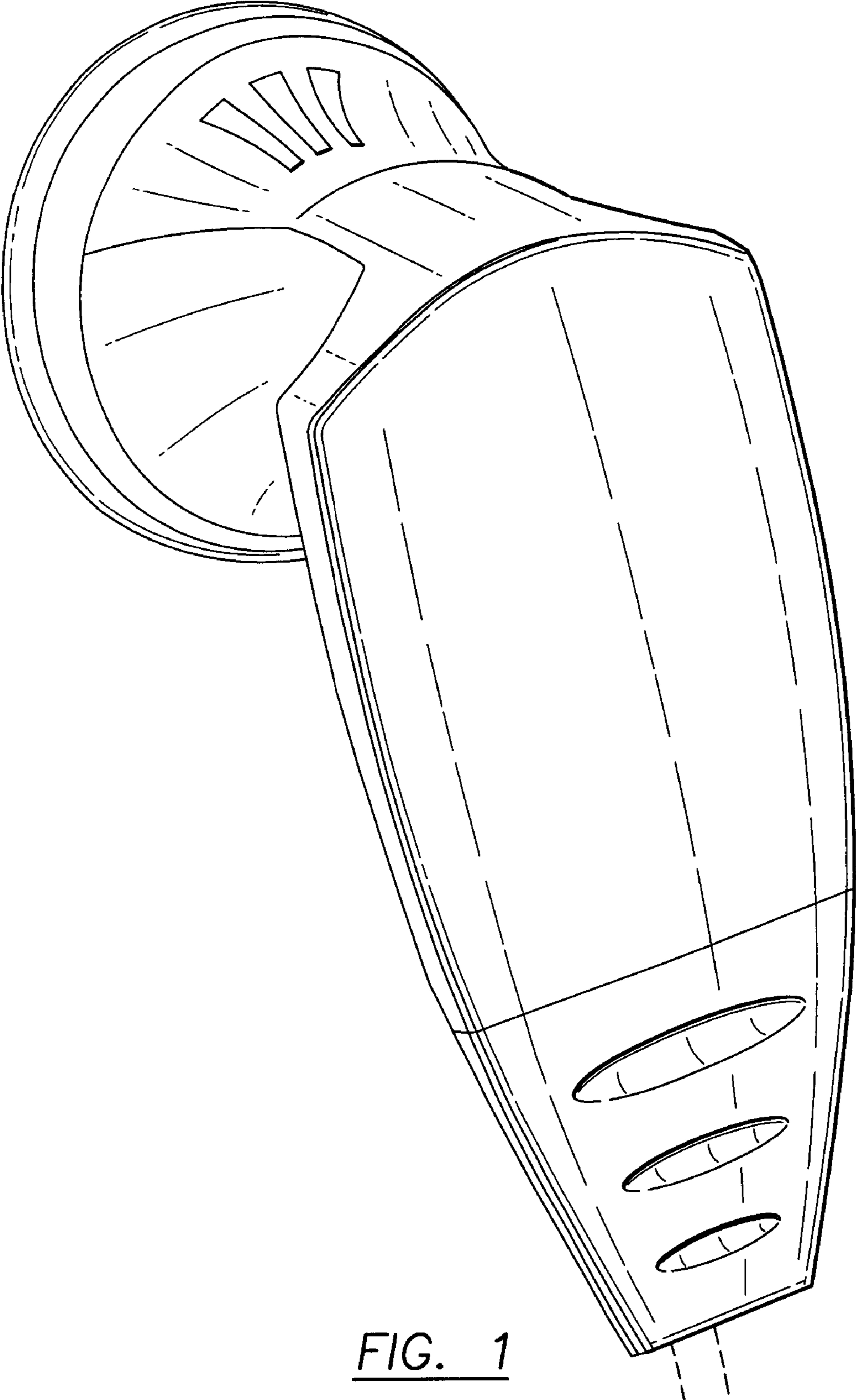


FIG. 1

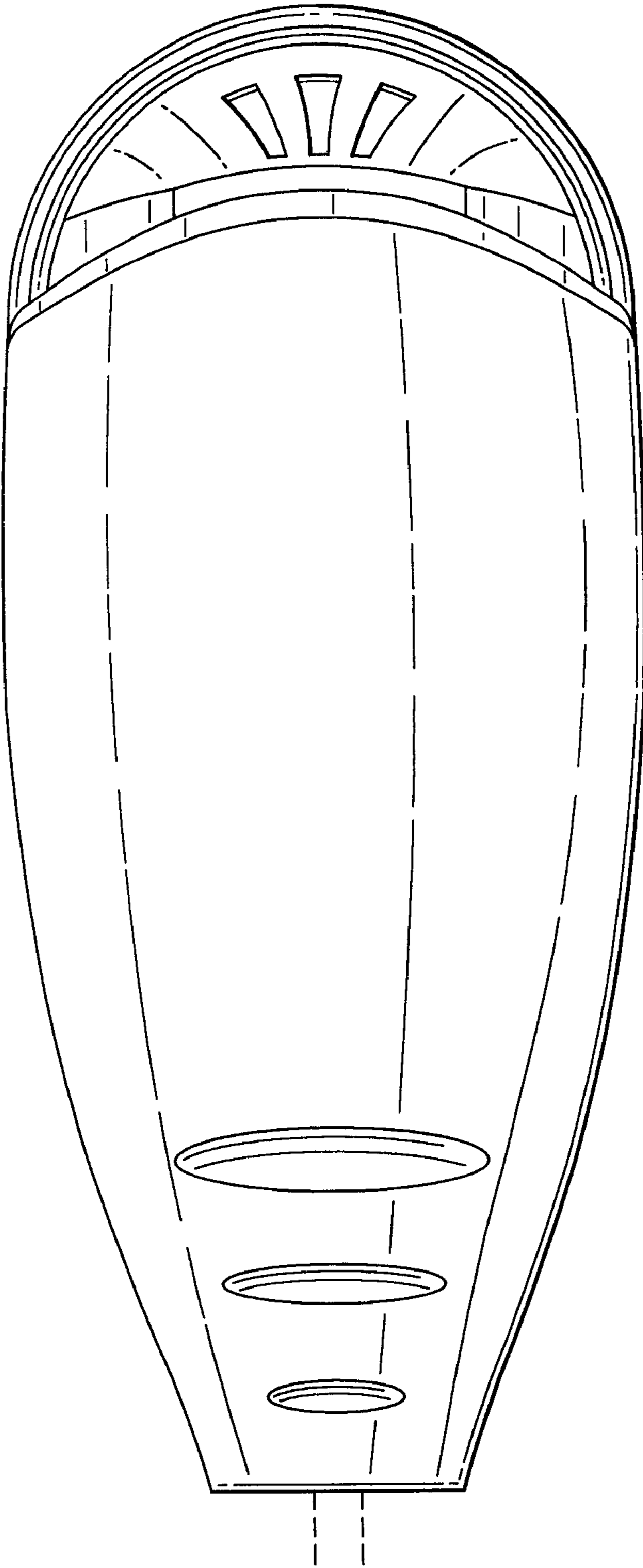


FIG. 2

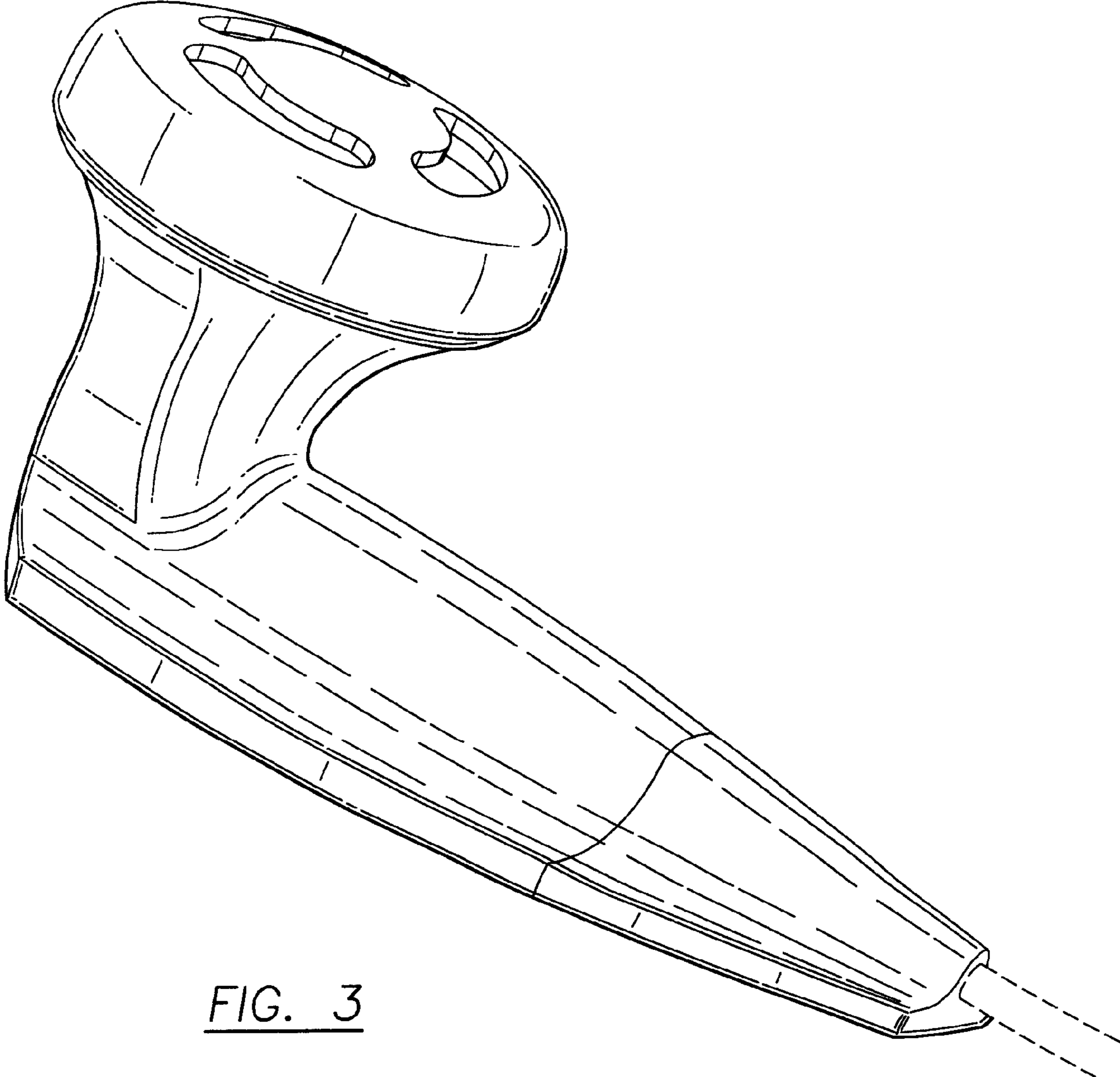


FIG. 3

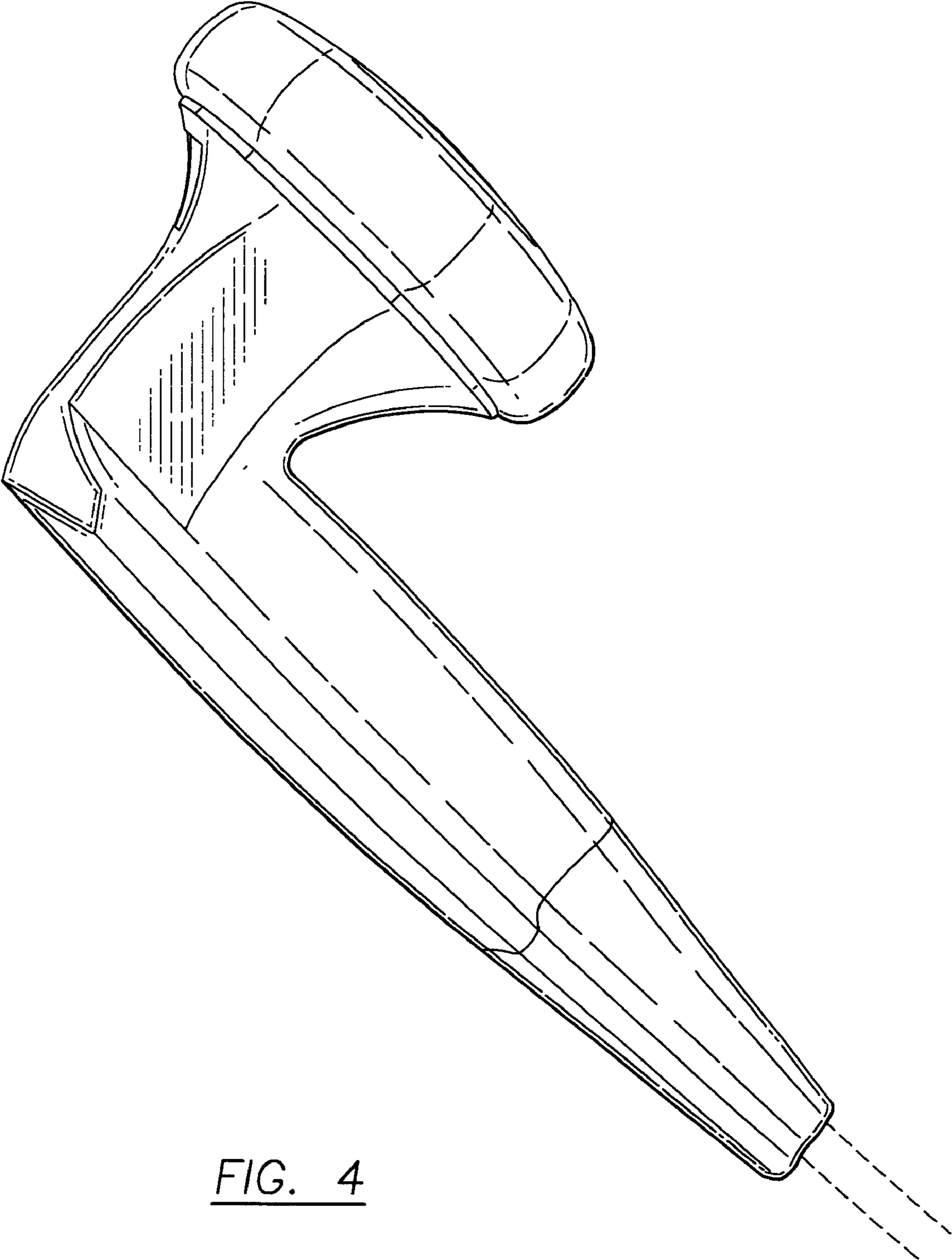


FIG. 4

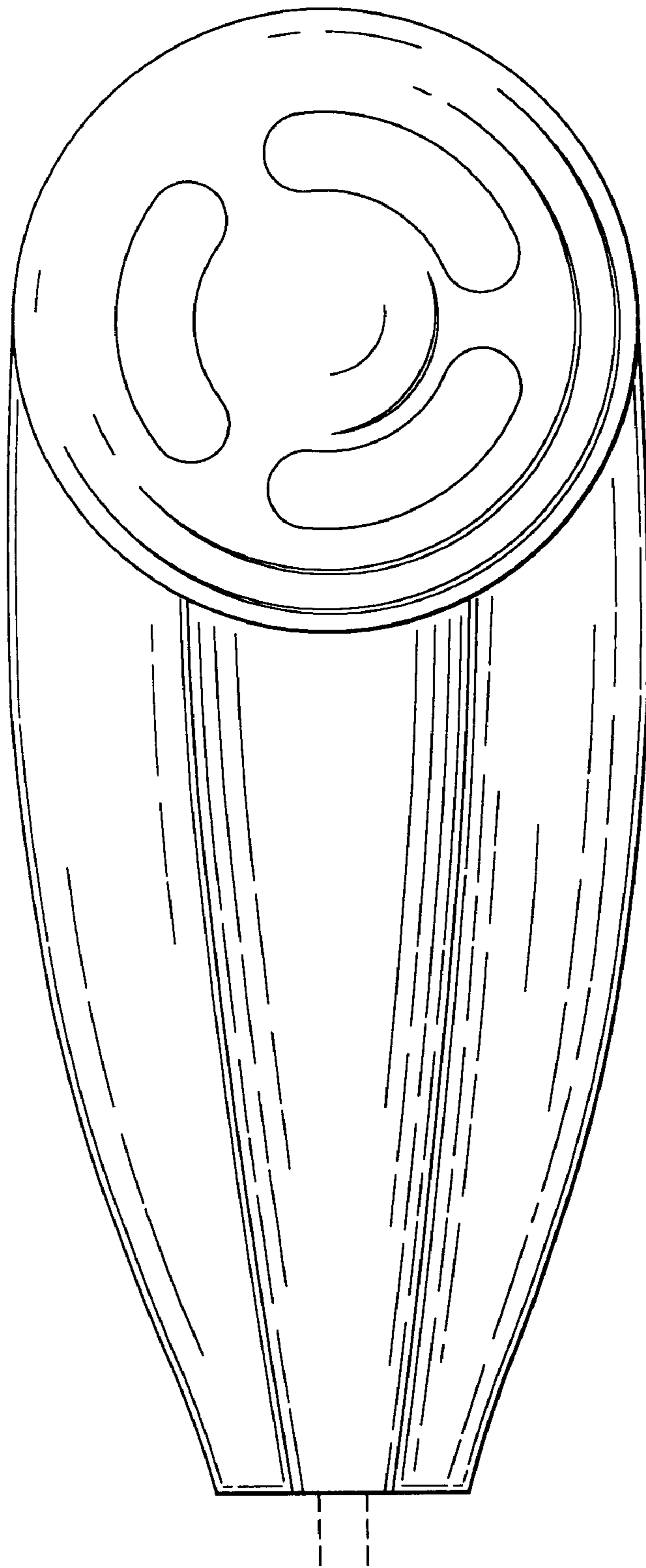


FIG. 5

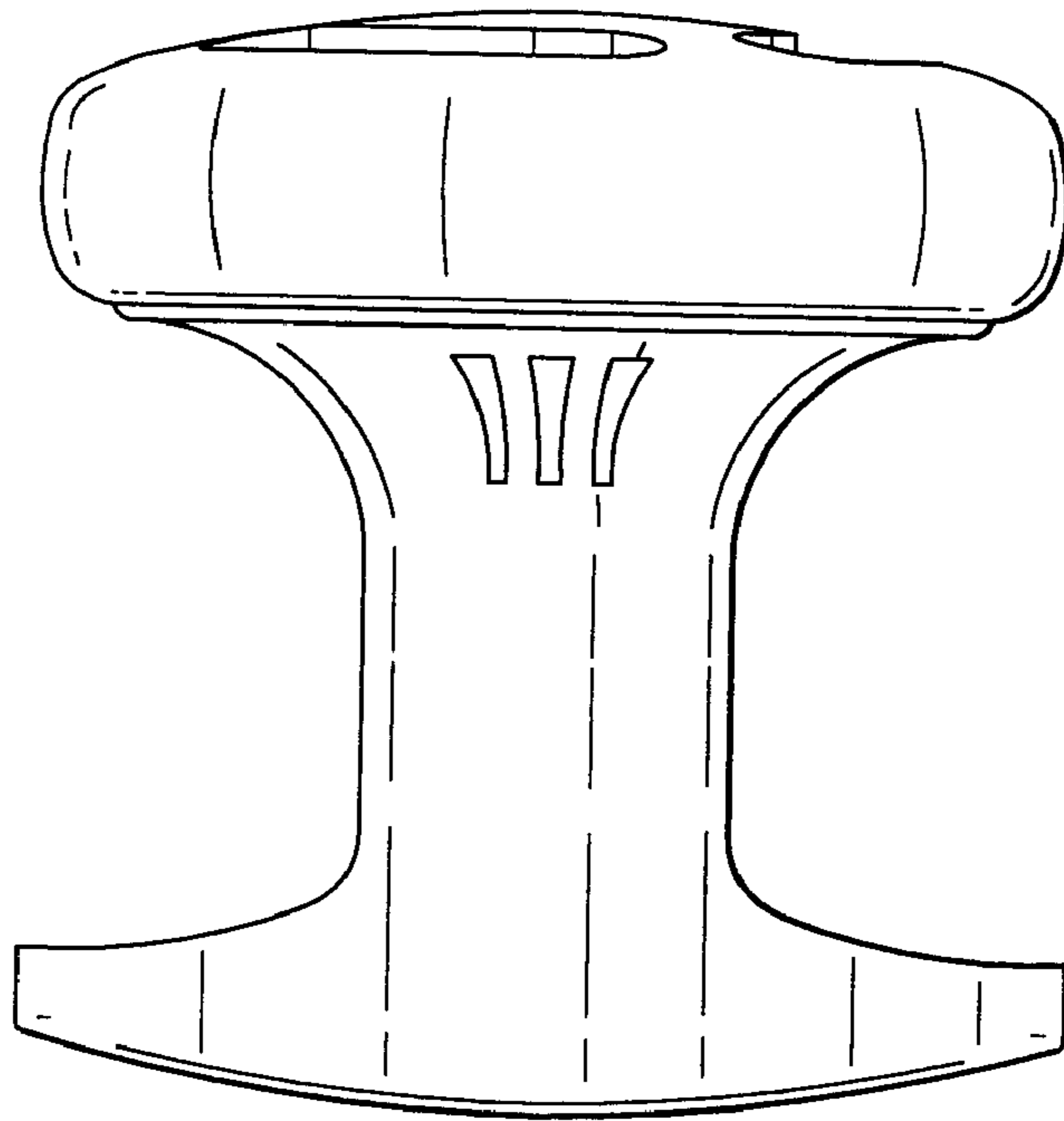


FIG. 6

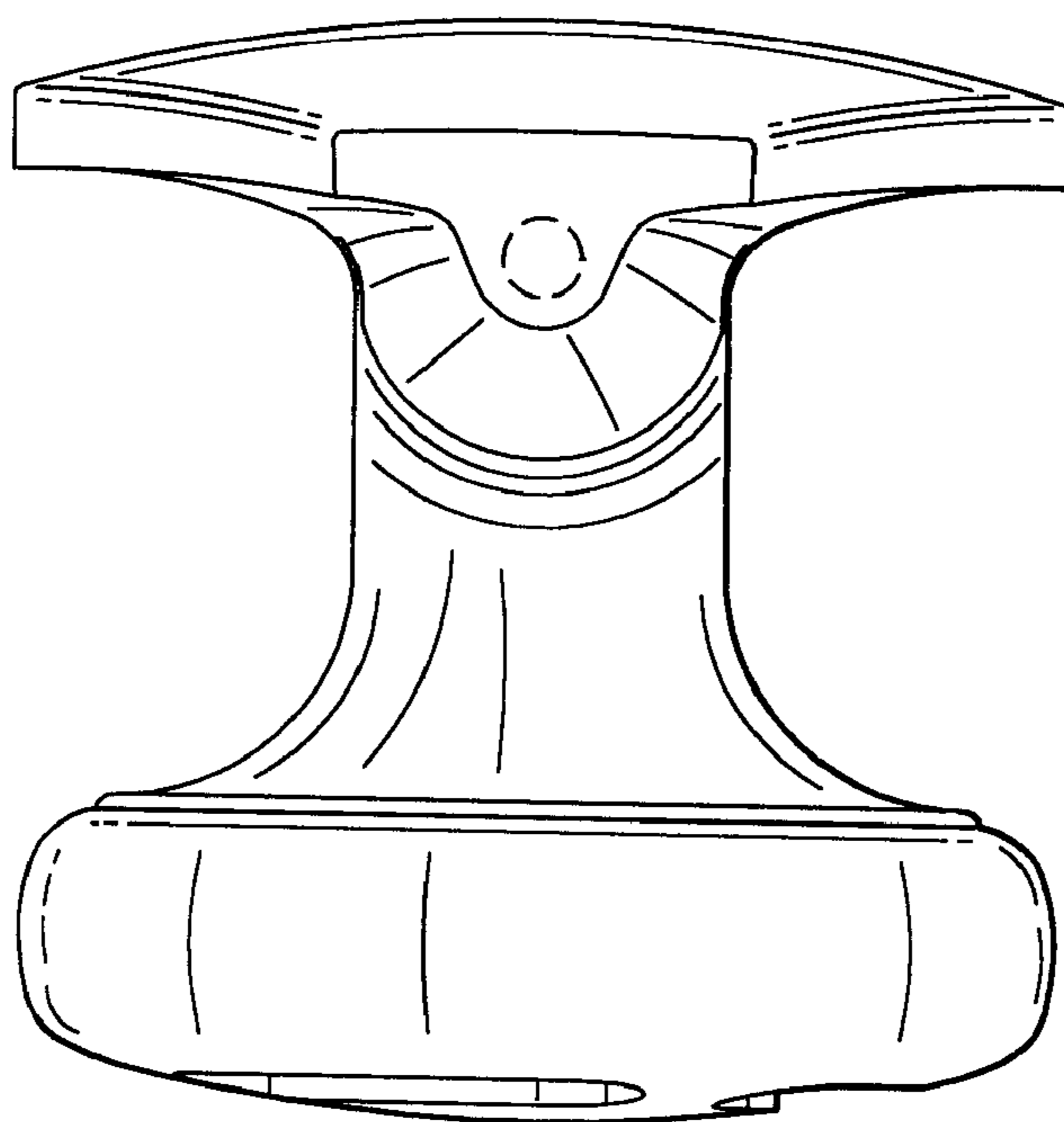


FIG. 7