



US00D510335S

(12) **United States Design Patent**
Suzuki

(10) **Patent No.:** **US D510,335 S**

(45) **Date of Patent:** **** Oct. 4, 2005**

(54) **HEADPHONE**

(75) **Inventor:** **Satoshi Suzuki, Tokyo (JP)**

(73) **Assignee:** **Sony Corporation, Tokyo (JP)**

(**) **Term:** **14 Years**

(21) **Appl. No.:** **29/212,202**

(22) **Filed:** **Aug. 30, 2004**

(51) **LOC (8) Cl.** **14-01**

(52) **U.S. Cl.** **D14/205**

(58) **Field of Search** D14/188, 192,
D14/205-206, 223; 181/129-130; 379/430,
433; 381/370, 376-381; 455/575.2

(56) **References Cited**

U.S. PATENT DOCUMENTS

D315,561 S	*	3/1991	Miller	D14/192
D324,385 S	*	3/1992	Yoda et al.	D14/192
D347,434 S	*	5/1994	Yamatogi	D14/205
D358,391 S	*	5/1995	Isono	D14/205
D394,062 S	*	5/1998	Chun	D14/192
D405,449 S		2/1999	Nakamura et al.		
D409,197 S	*	5/1999	Nakamura	D14/205
D410,466 S	*	6/1999	Mouri	D14/205
6,006,115 A	*	12/1999	Wingate	455/575.2
D420,356 S	*	2/2000	Suzuki	D14/205

D435,249 S	*	12/2000	Yasutomi	D14/205
D457,874 S	*	5/2002	Yoneda	D14/205
D458,597 S	*	6/2002	Davies et al.	D14/206
D467,895 S		12/2002	Hirano		
D484,485 S		12/2003	Matsuoka		

OTHER PUBLICATIONS

Web page "AH-G500" 1 sheet, Denon (Jun. 2004).

* cited by examiner

Primary Examiner—Paula A. Greene

(74) *Attorney, Agent, or Firm*—Rader, Fishman & Grauer PLLC

(57) **CLAIM**

The ornamental design for a headphone, as shown.

DESCRIPTION

FIG. 1 is a perspective view of a headphone showing my new design;

FIG. 2 is a front elevational view thereof;

FIG. 3 is a rear elevational view thereof;

FIG. 4 is a left side elevational view thereof;

FIG. 5 is a right side elevational view thereof;

FIG. 6 is a top plan view thereof; and,

FIG. 7 is a bottom plan view thereof.

1 Claim, 4 Drawing Sheets

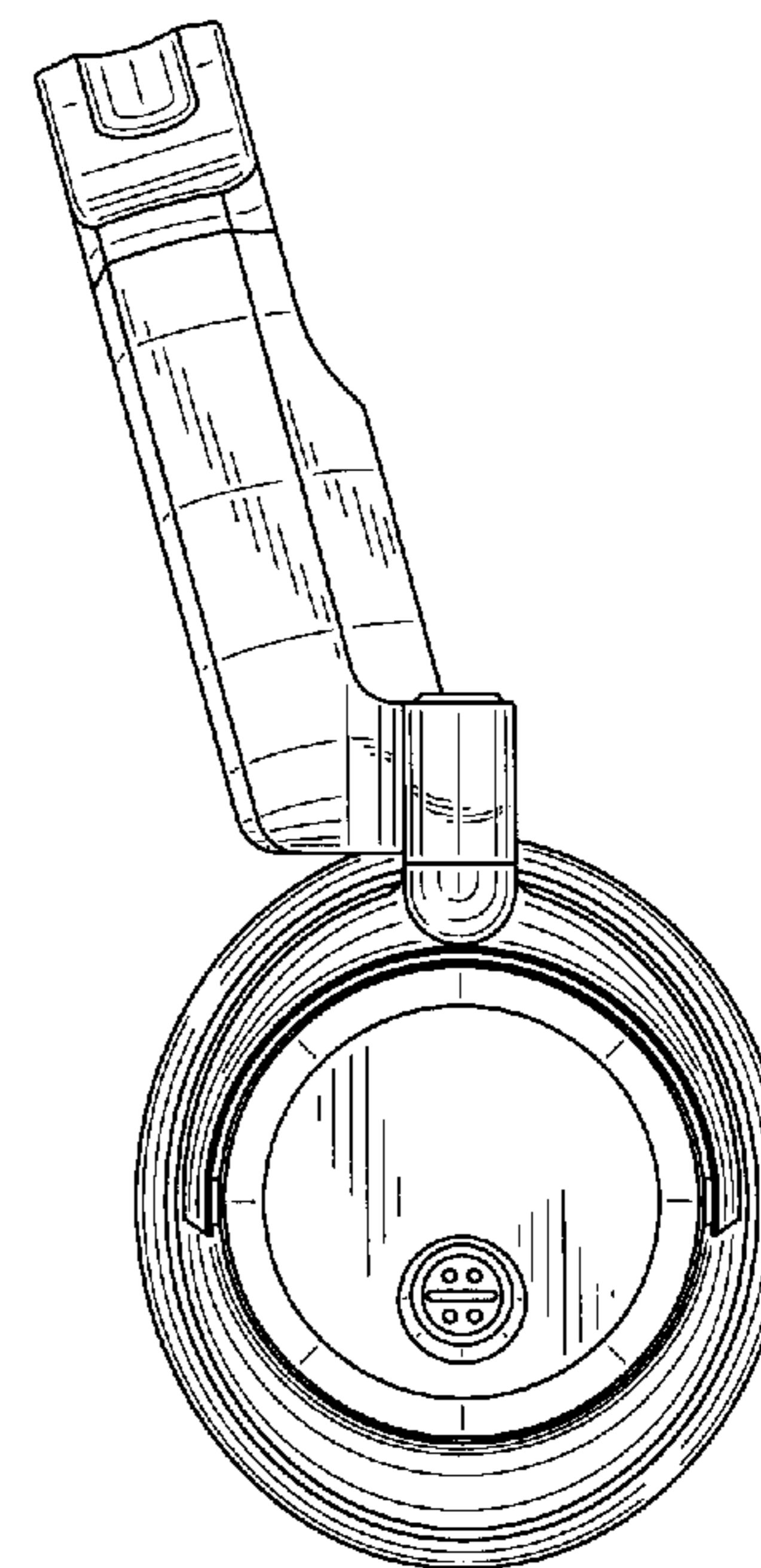
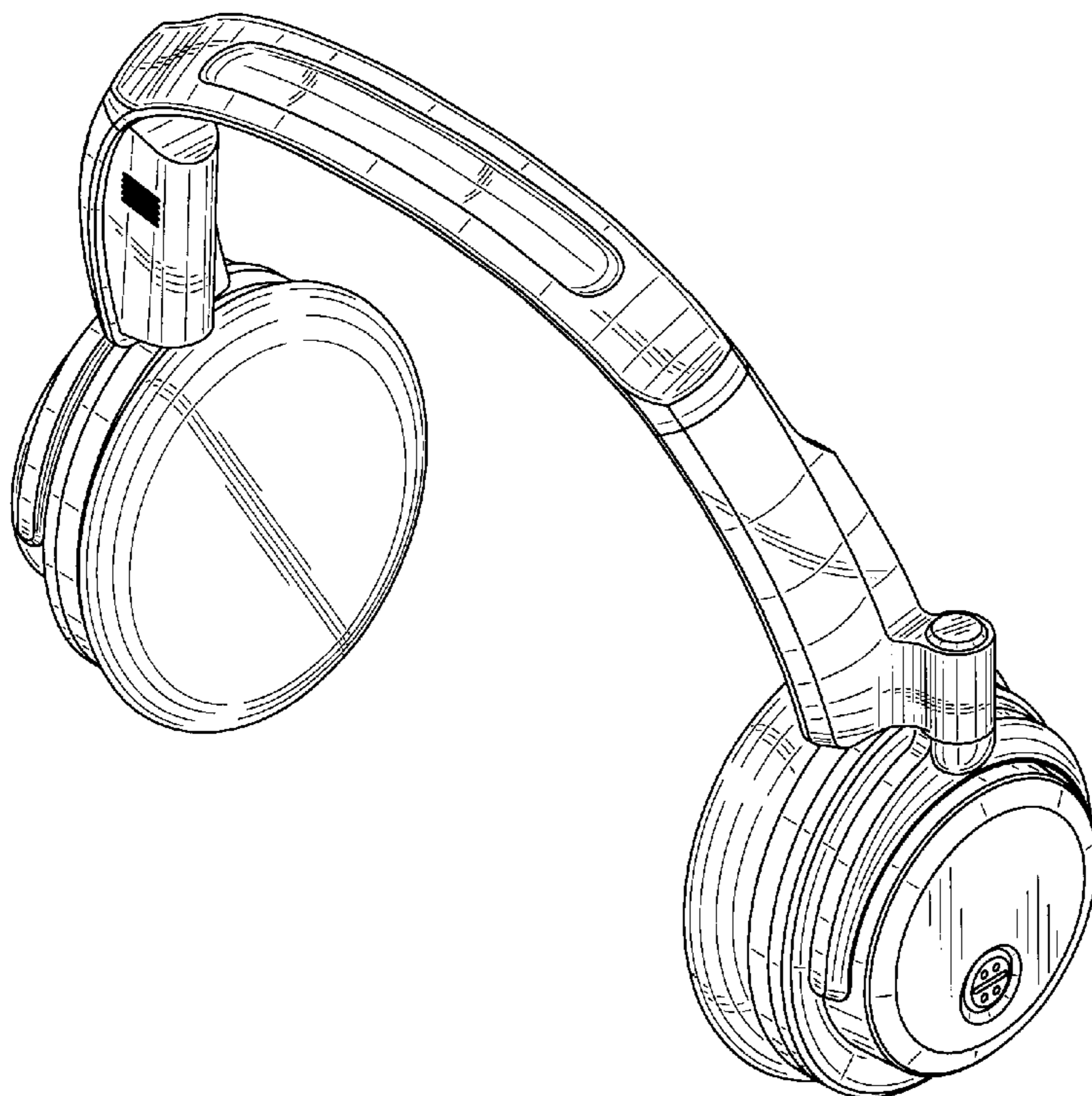


Fig. 1

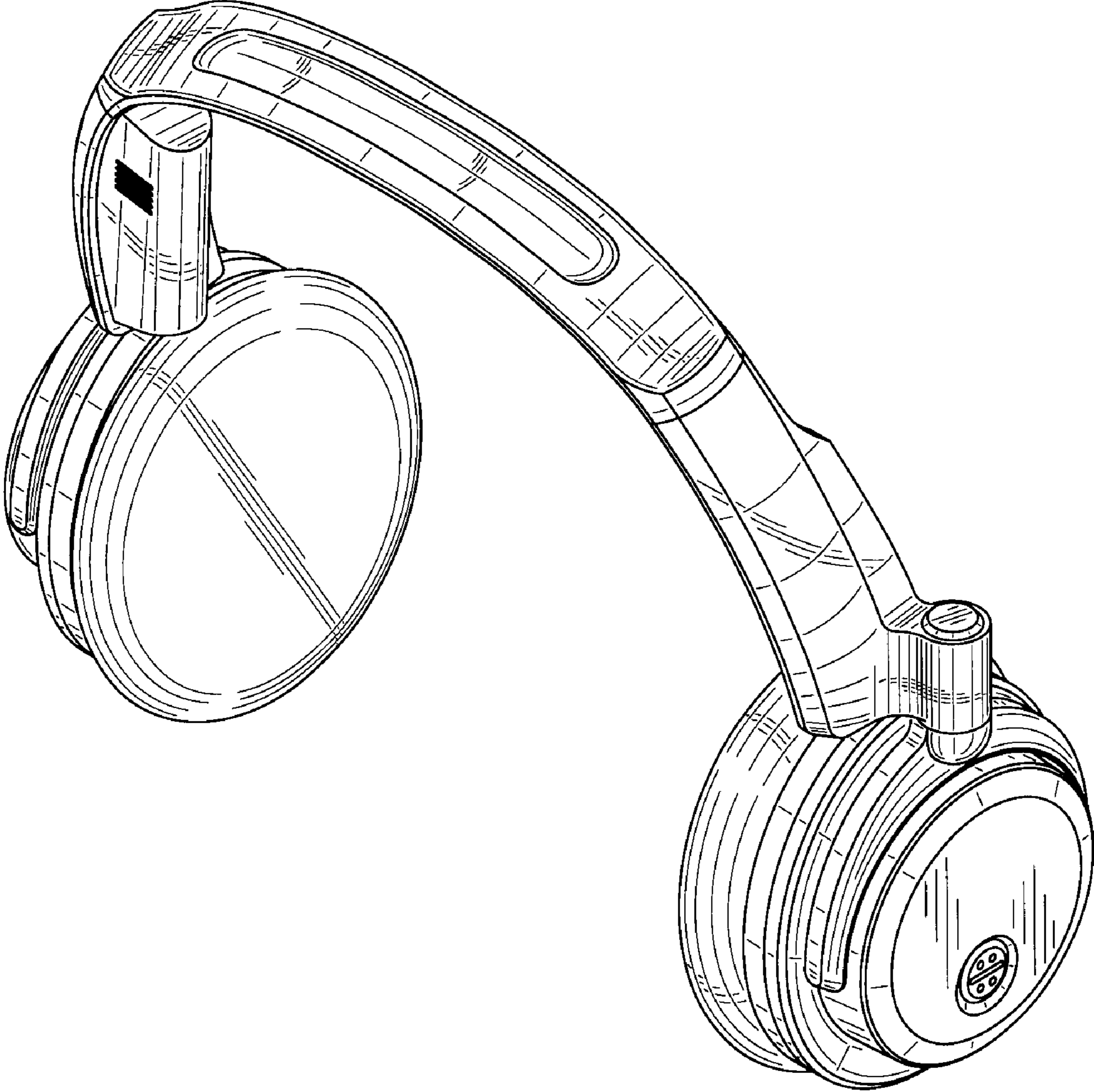


Fig.2

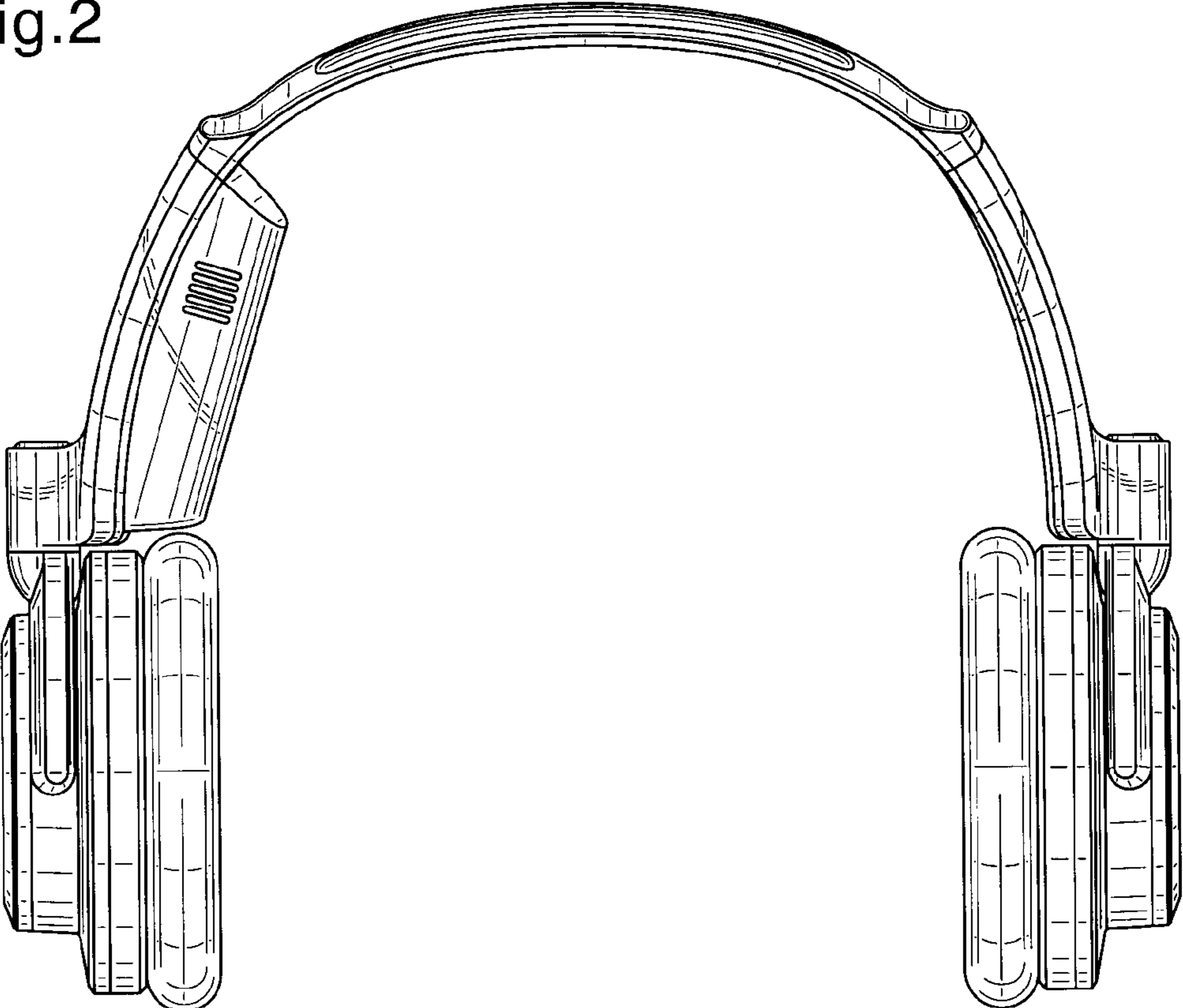


Fig.3

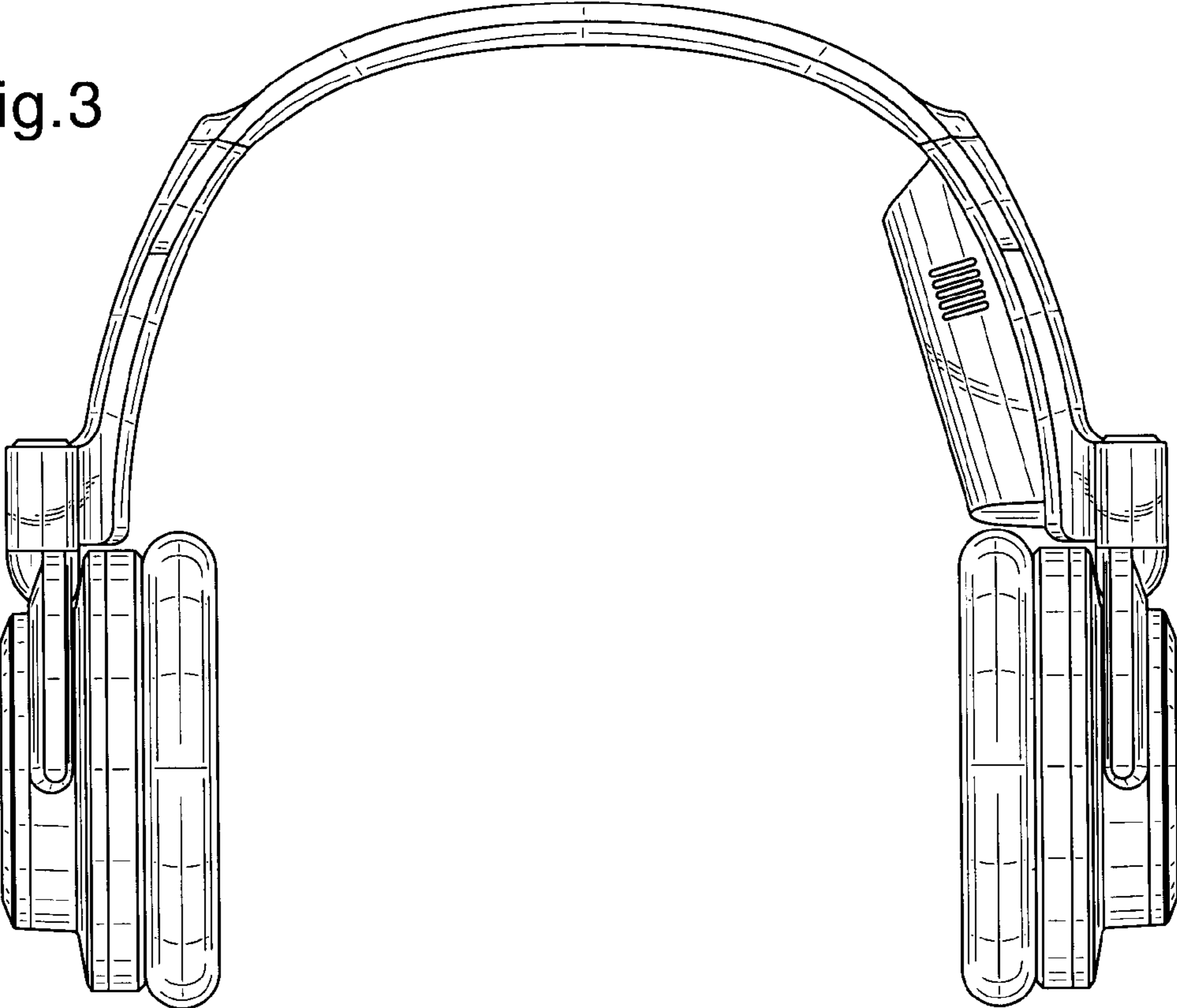


Fig.4

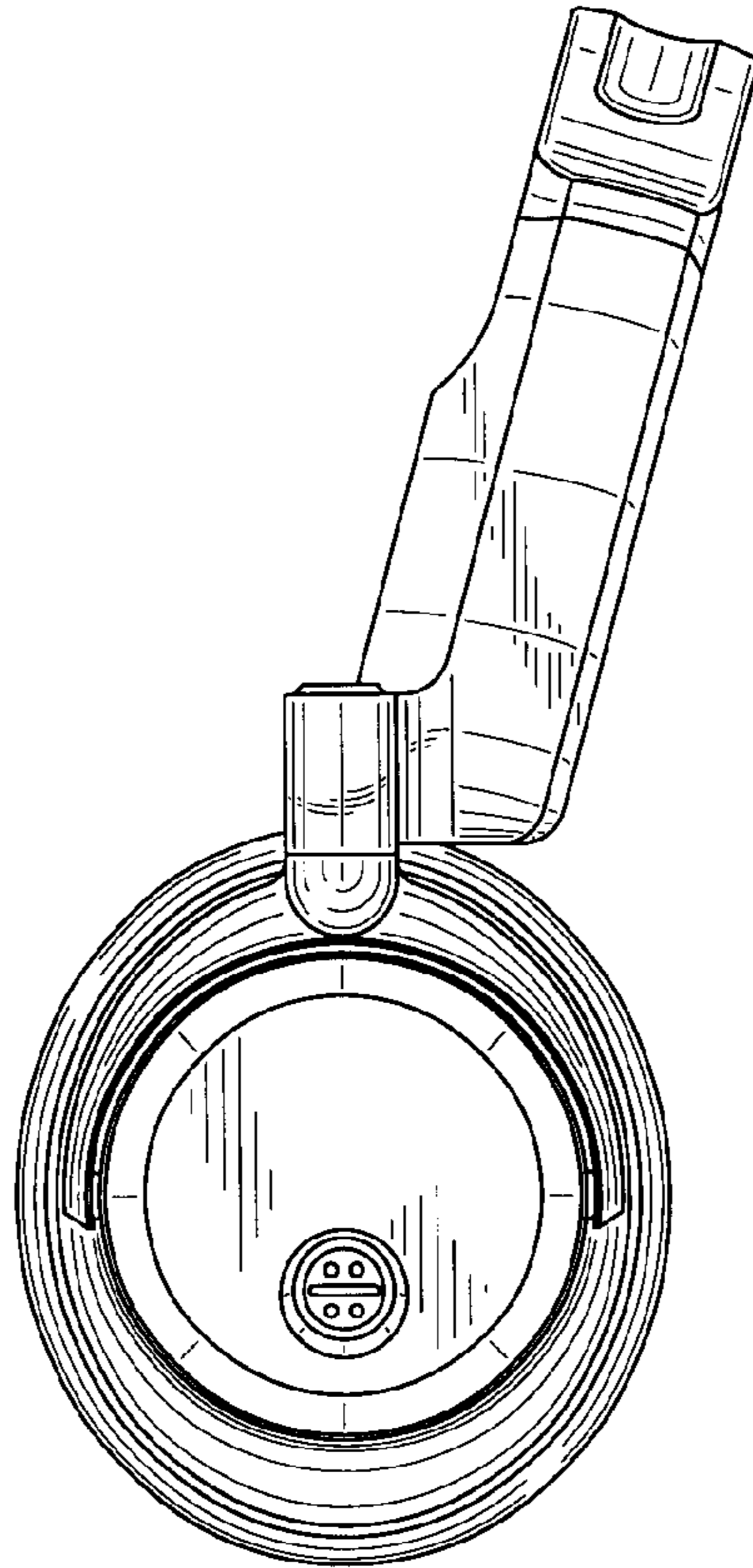


Fig.5

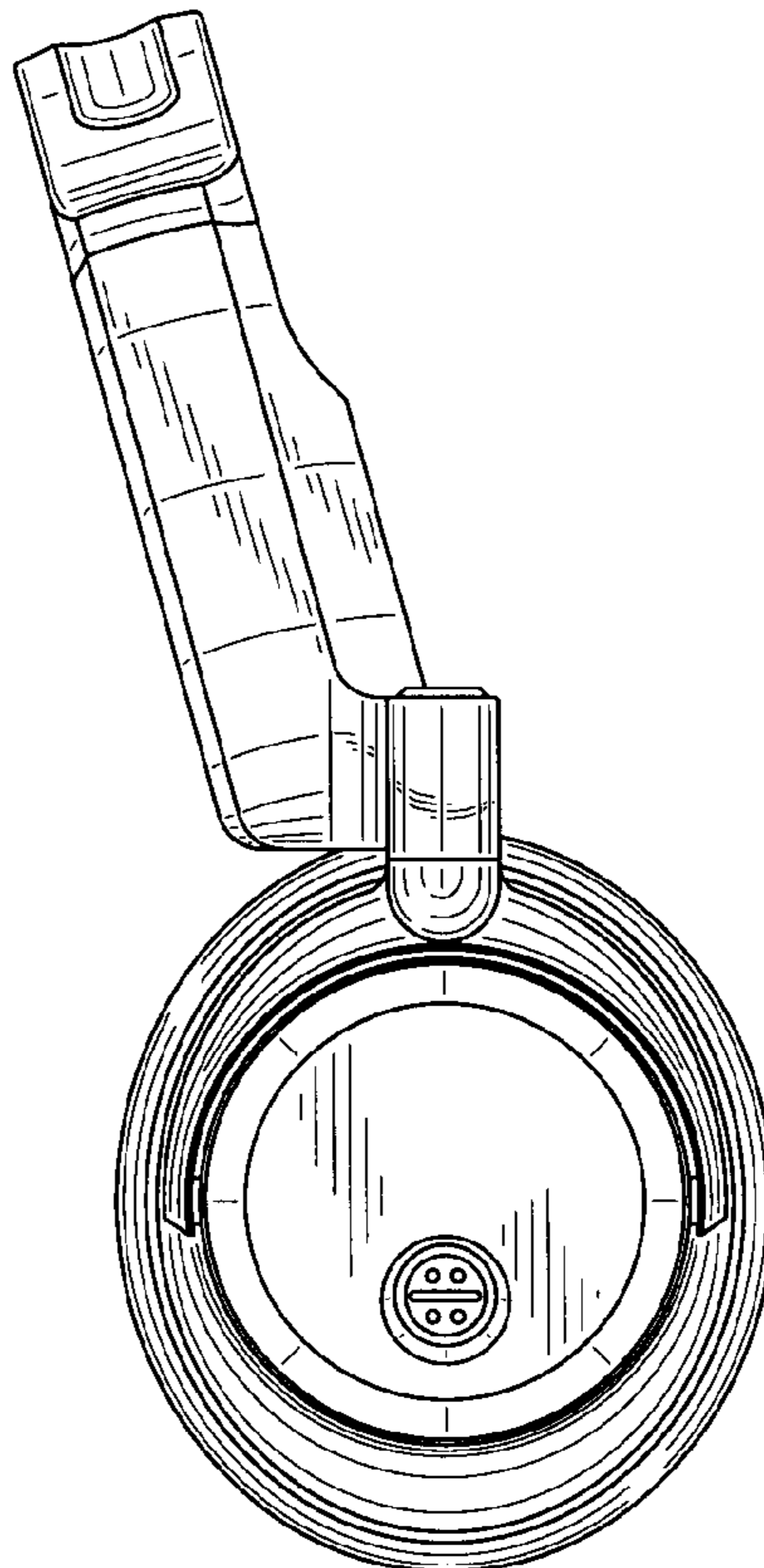


Fig.6

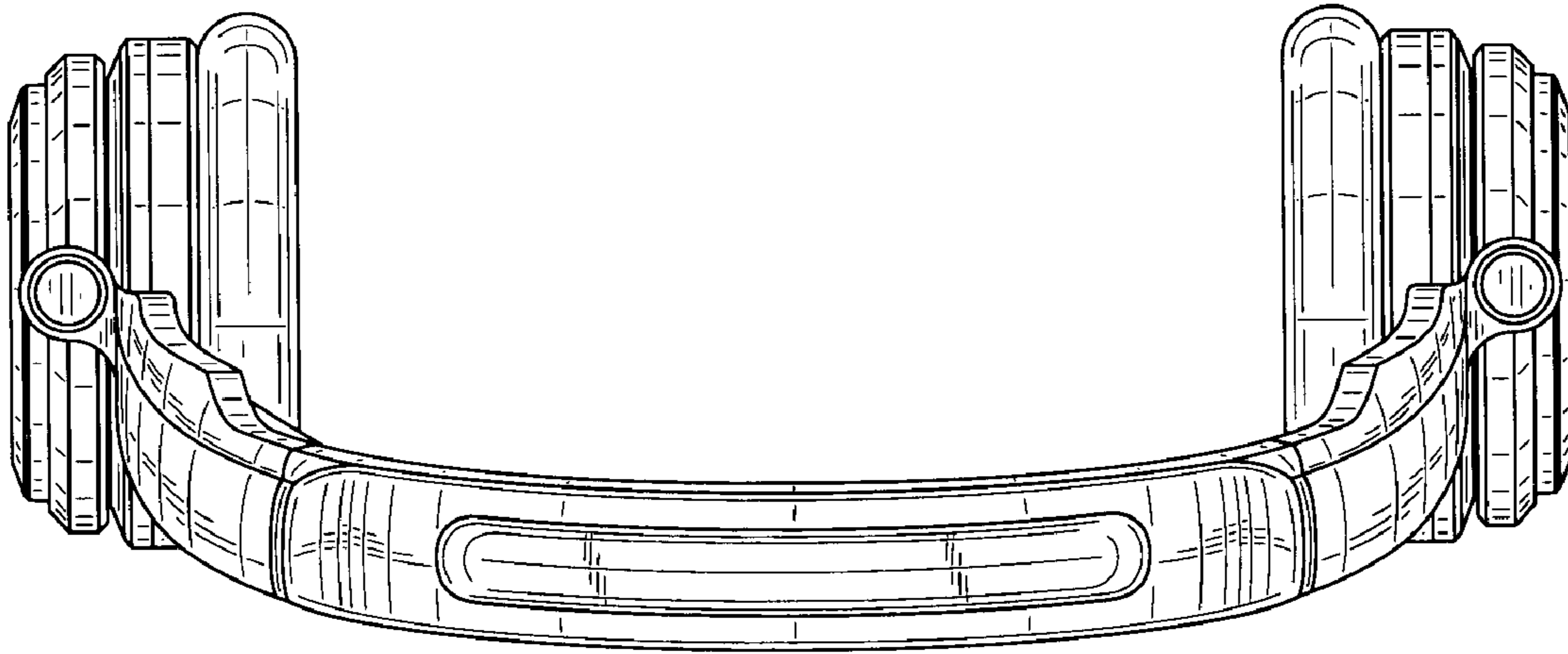


Fig.7

