

US00D510329S

(12) **United States Design Patent**
Vitito

(10) **Patent No.:** **US D510,329 S**
(45) **Date of Patent:** **** Oct. 4, 2005**

(54) **OVERHEAD ENTERTAINMENT CONSOLE**
(76) **Inventor:** **Christopher J. Vitito**, 514
Longmeadow St., Celebration, FL (US)
34747
(**) **Term:** **14 Years**

6,409,242 B1 * 6/2002 Chang
6,412,848 B1 * 7/2002 Ceccanese et al.
D467,234 S * 12/2002 Scribner D14/132
D467,562 S * 12/2002 Chang D14/132
D470,828 S * 2/2003 Solland
6,633,347 B2 * 10/2003 Kitazawa
6,695,376 B1 * 2/2004 Hirano
6,711,003 B2 * 3/2004 Nakasuna
2002/0149708 A1 * 10/2002 Nagata et al.

(21) **Appl. No.:** **29/196,983**
(22) **Filed:** **Jan. 9, 2004**

FOREIGN PATENT DOCUMENTS

(51) **LOC (8) Cl.** **14-03**
(52) **U.S. Cl.** **D14/132**
(58) **Field of Search** D14/125-134,
D14/239, 371, 374-376; 312/7.2; 348/836,
838, 180, 184, 325, 739; 341/12; 248/917-924;
345/104, 133, 156, 168, 87, 173; 353/74;
340/700; D12/415-418, 345; D21/329,
515

JP 0214908 * 6/1990

* cited by examiner

Primary Examiner—Raphael Barkai
(74) *Attorney, Agent, or Firm*—Welsh & Flaxman LLC

(57) **CLAIM**

The ornamental design for a overhead entertainment console, as shown and described.

(56) **References Cited**

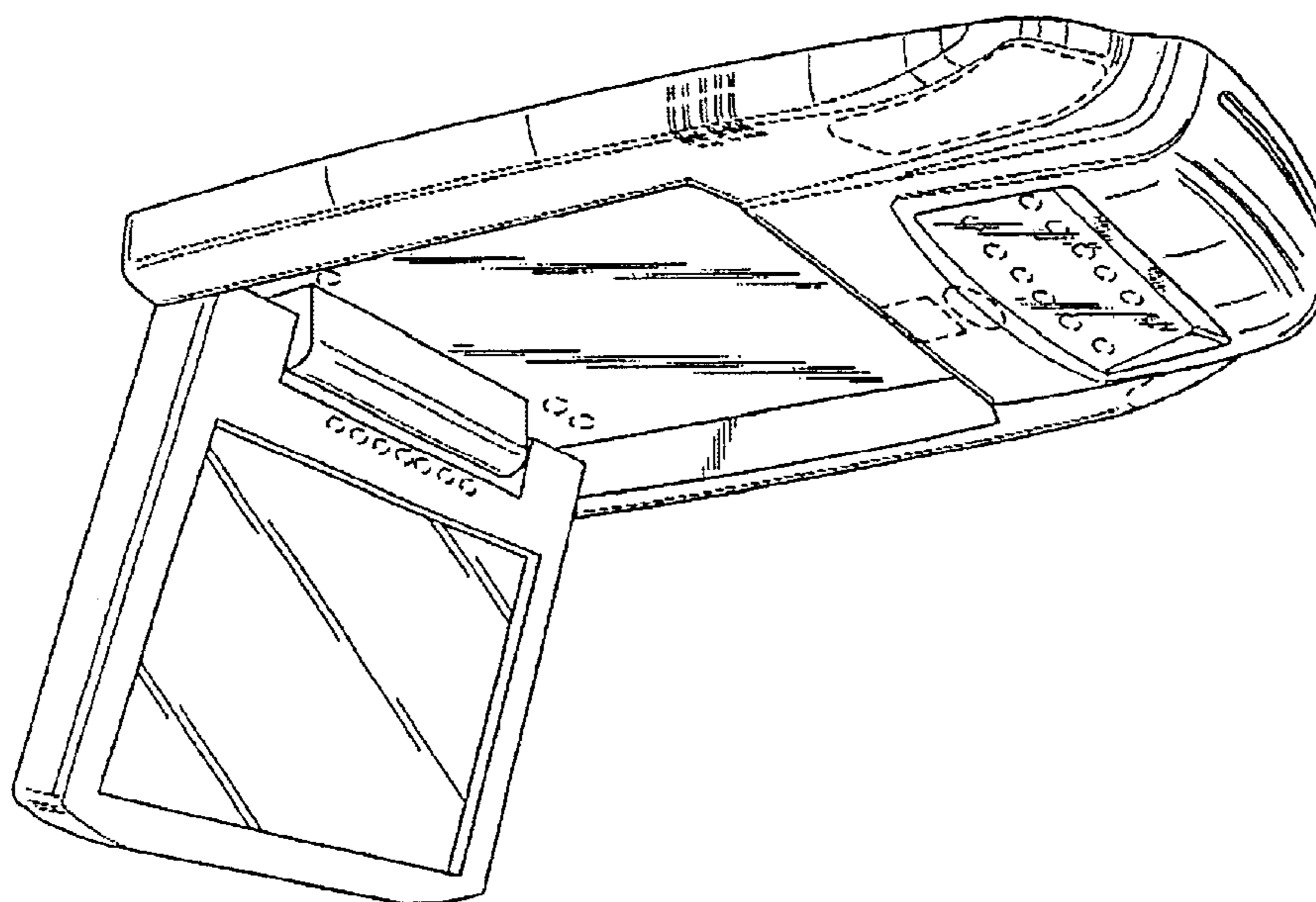
DESCRIPTION

U.S. PATENT DOCUMENTS

5,775,762 A * 7/1998 Vitito
5,927,784 A * 7/1999 Vitito
5,946,055 A * 8/1999 Rosen 348/837
D413,856 S * 9/1999 Scribner D12/418
6,059,255 A * 5/2000 Rosen et al. D14/132
6,129,459 A * 10/2000 Kishimoto et al.
6,199,810 B1 * 3/2001 Wu et al.
6,256,837 B1 * 7/2001 Lan et al. 248/917
6,292,236 B1 * 9/2001 Rosen
6,339,455 B1 * 1/2002 Allan et al.
D453,325 S * 2/2002 Okada et al. D14/132
D454,121 S * 3/2002 Lavelle et al. D14/126
6,361,012 B1 * 3/2002 Chang
6,364,390 B1 * 4/2002 Finneman
D456,789 S * 5/2002 Snyker D14/132

FIG. 1 is a front perspective view of an overhead entertainment console showing my new design with the monitor open.
FIG. 2 is a bottom plan view taken from a position beneath the overhead entertainment console.
FIG. 3 is a forward plan view thereof.
FIG. 4 is a rear plan view thereof.
FIG. 5 is a side plan view thereof; the opposite side plan view being a mirror image; and,
FIG. 6 is a front perspective view with the monitor closed.
The broken lines shown in FIGS. 1-6 are for illustrative purposes only and form no part of the claimed design.

1 Claim, 3 Drawing Sheets



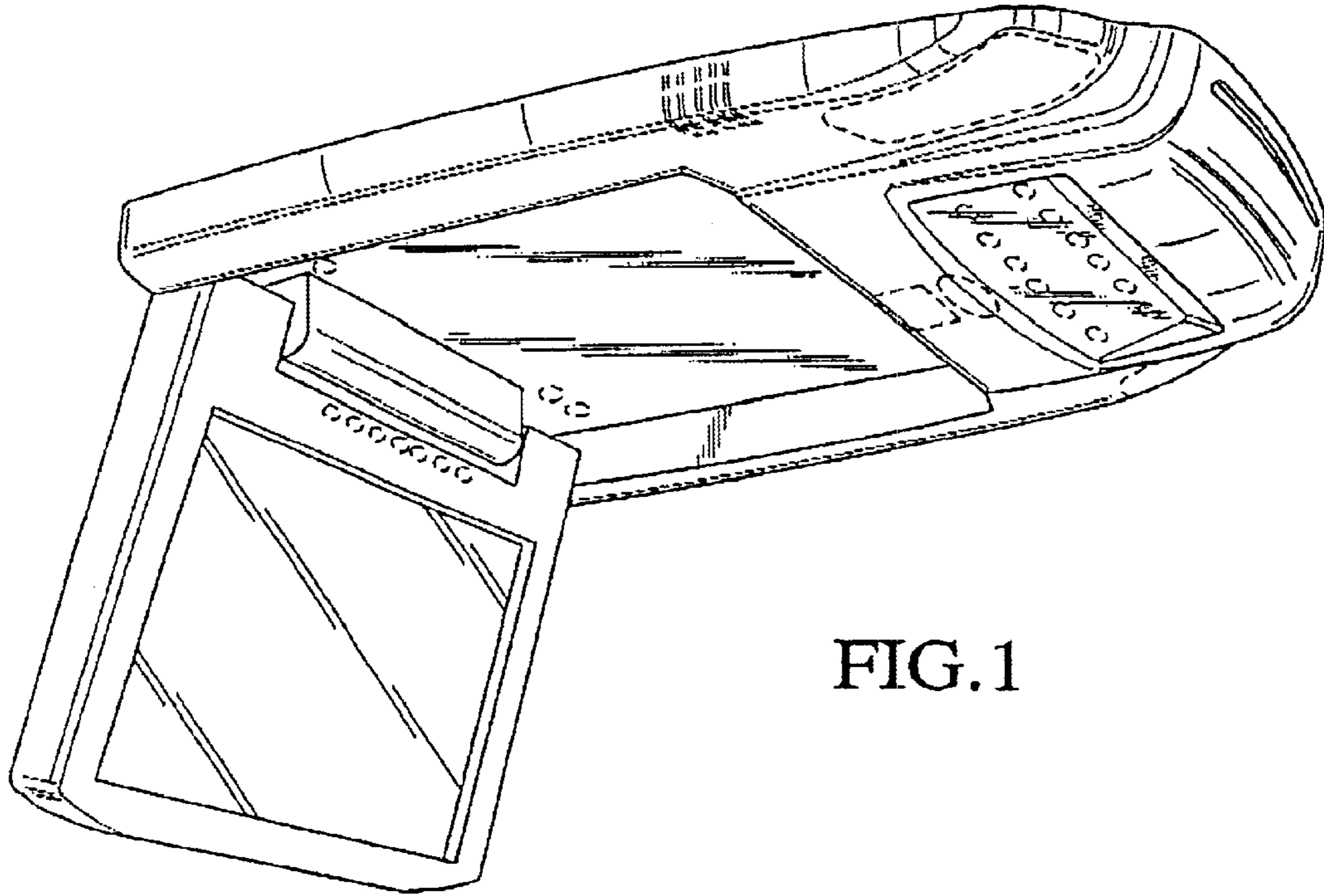


FIG. 1

FIG. 2

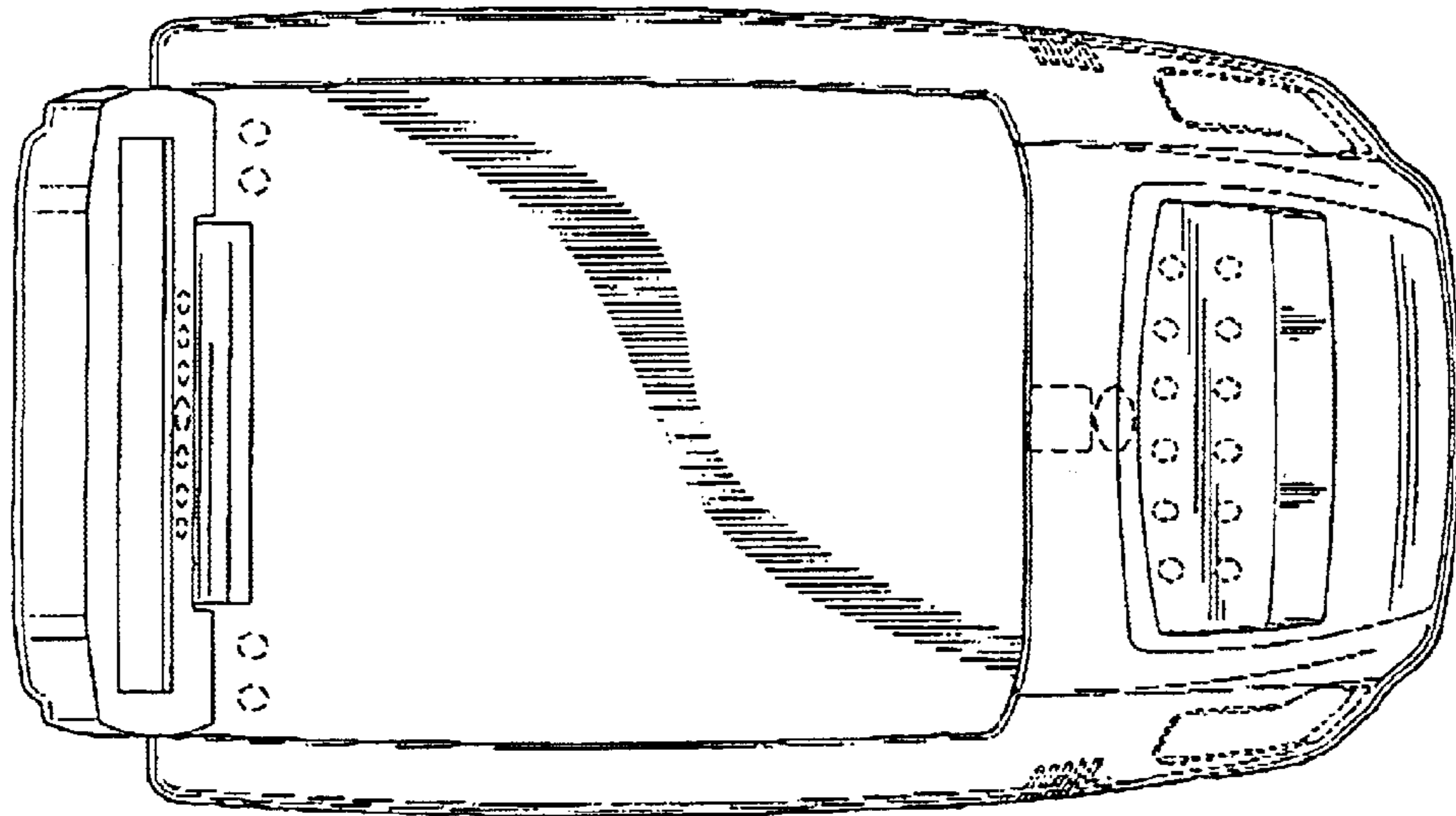


FIG.3

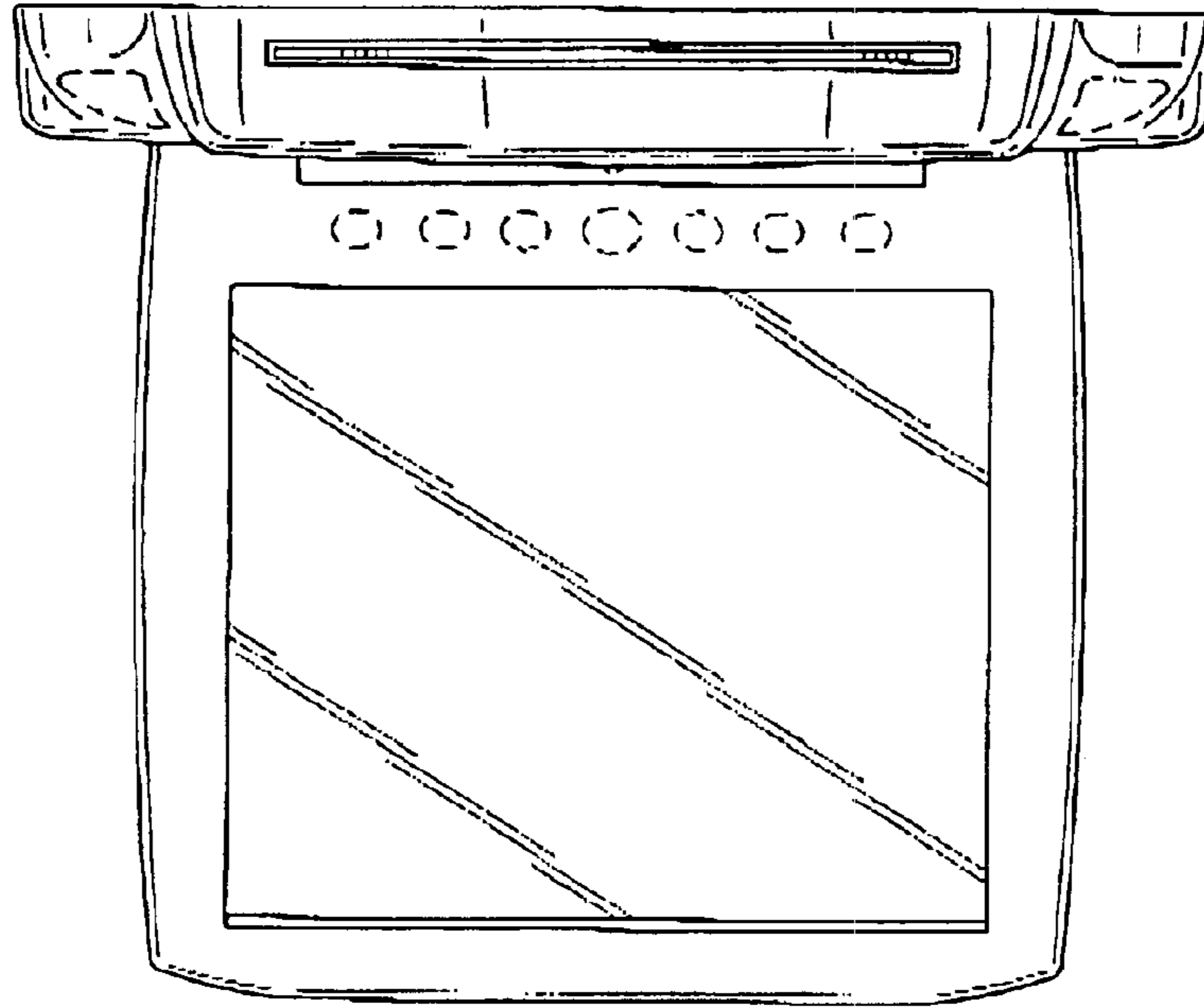


FIG.4

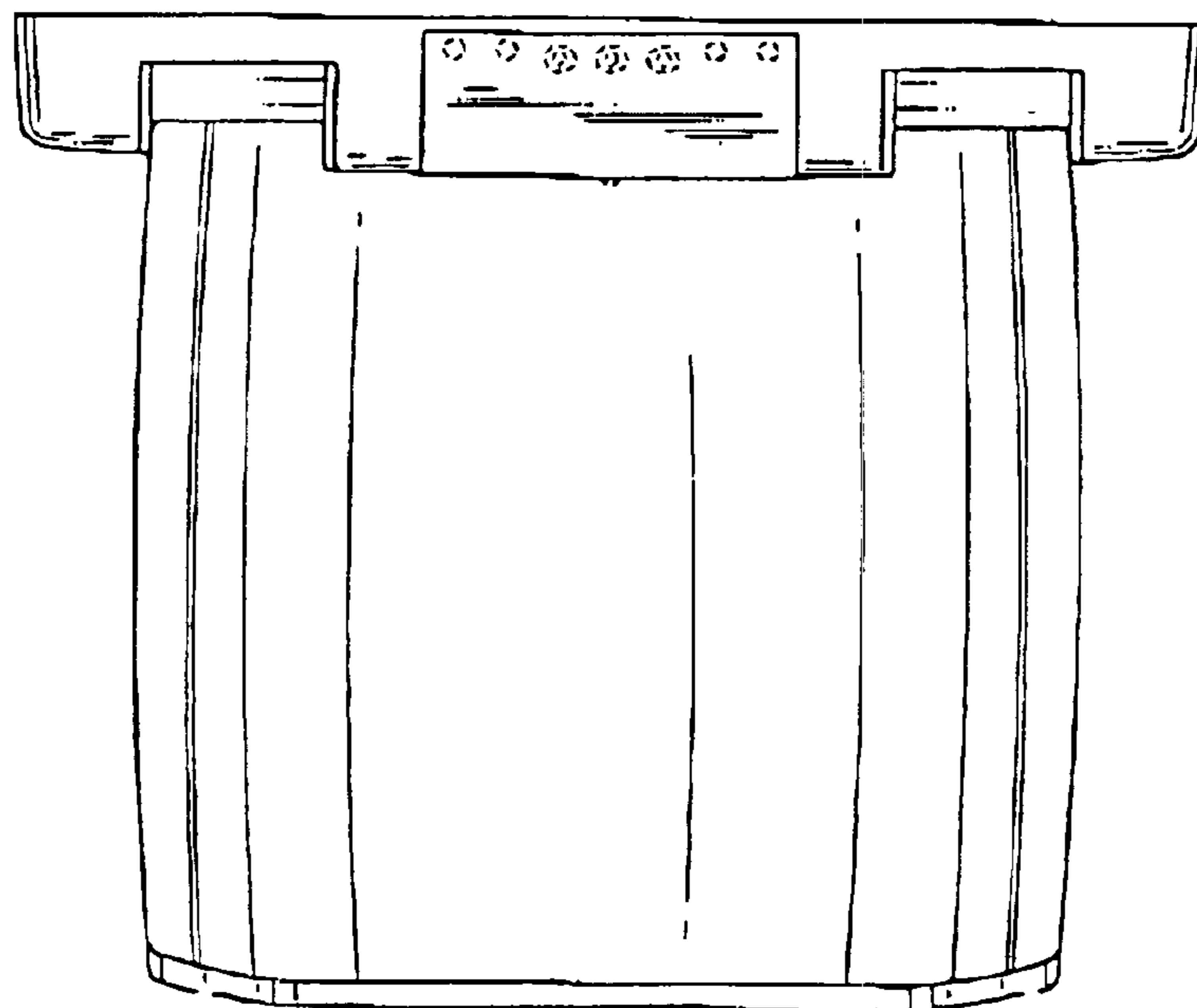


FIG.5

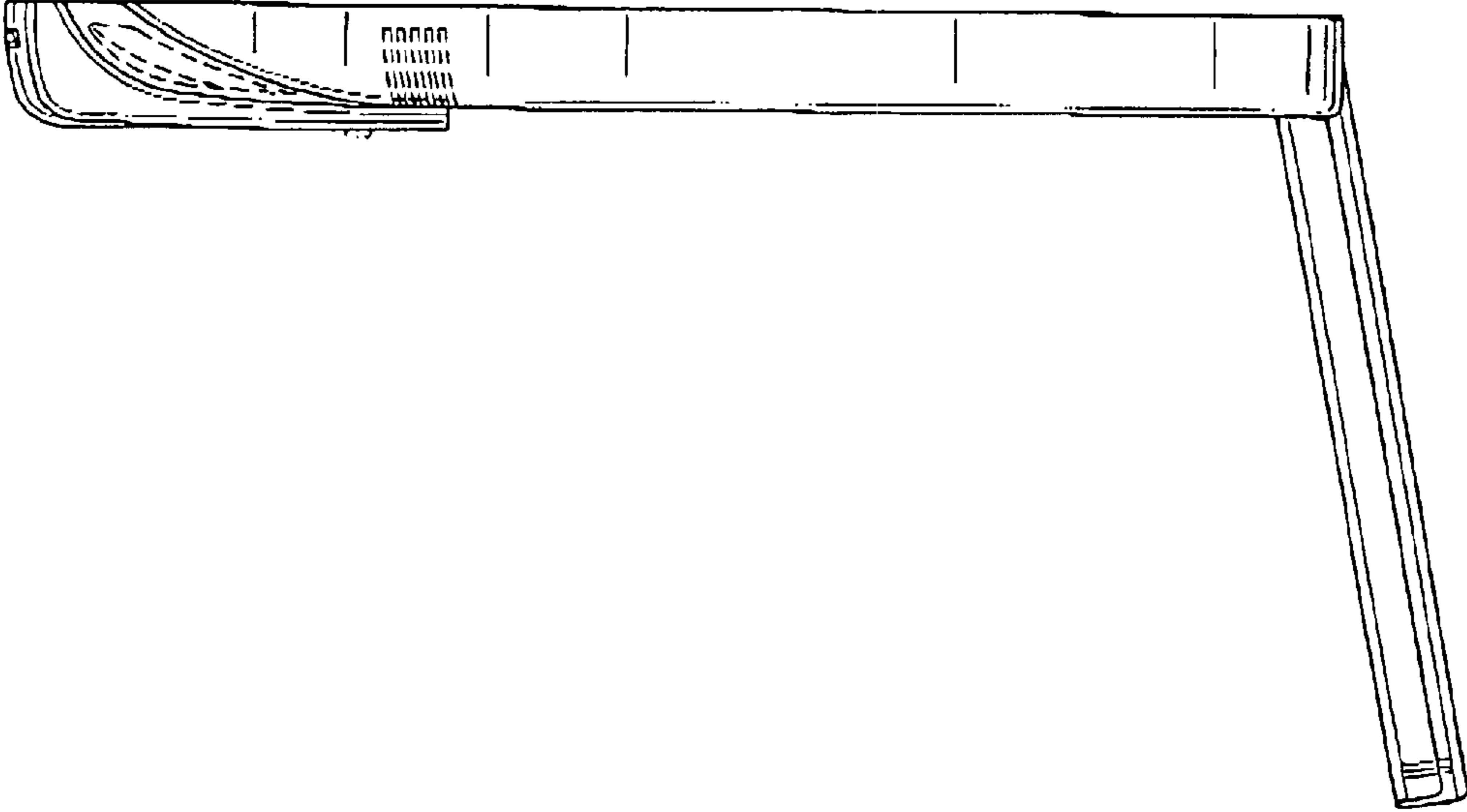


FIG.6

