



US00D510328S

(12) **United States Design Patent**
Shih et al.

(10) **Patent No.:** **US D510,328 S**

(45) **Date of Patent:** **** Oct. 4, 2005**

(54) **TELEVISION RECEIVER**

(75) Inventors: **Cheng-Yu Shih**, Taoyuan (TW);
Kuei-Jung Yang, Taoyuan (TW)

(73) Assignee: **Enlight Corporation**, Taoyuan (TW)

(**) Term: **14 Years**

(21) Appl. No.: **29/209,198**

(22) Filed: **Jul. 12, 2004**

(51) **LOC (8) Cl.** **14-03**

(52) **U.S. Cl.** **D14/126**

(58) **Field of Search** D14/125-134,
D14/239, 371, 374-376; 312/7.2; 348/836,
838, 180, 184, 325, 739; 341/12; 248/917-924;
345/104, 133, 156, 168, 87, 173; 353/74;
D10/106; D13/164

(56) **References Cited**

U.S. PATENT DOCUMENTS

- D417,659 S * 12/1999 Takemasa D14/374
- D419,977 S * 2/2000 Chuo D14/375
- D422,978 S * 4/2000 Hirota D14/448

- D441,732 S * 5/2001 Ota D14/126
- D460,425 S * 7/2002 Joe D14/126
- D474,454 S * 5/2003 Izu et al. D14/133
- D502,154 S * 2/2005 Peng D14/126

* cited by examiner

Primary Examiner—Raphael Barkai

(74) *Attorney, Agent, or Firm*—Alan D. Kamrath; Nikolai & Mersereau, P.A.

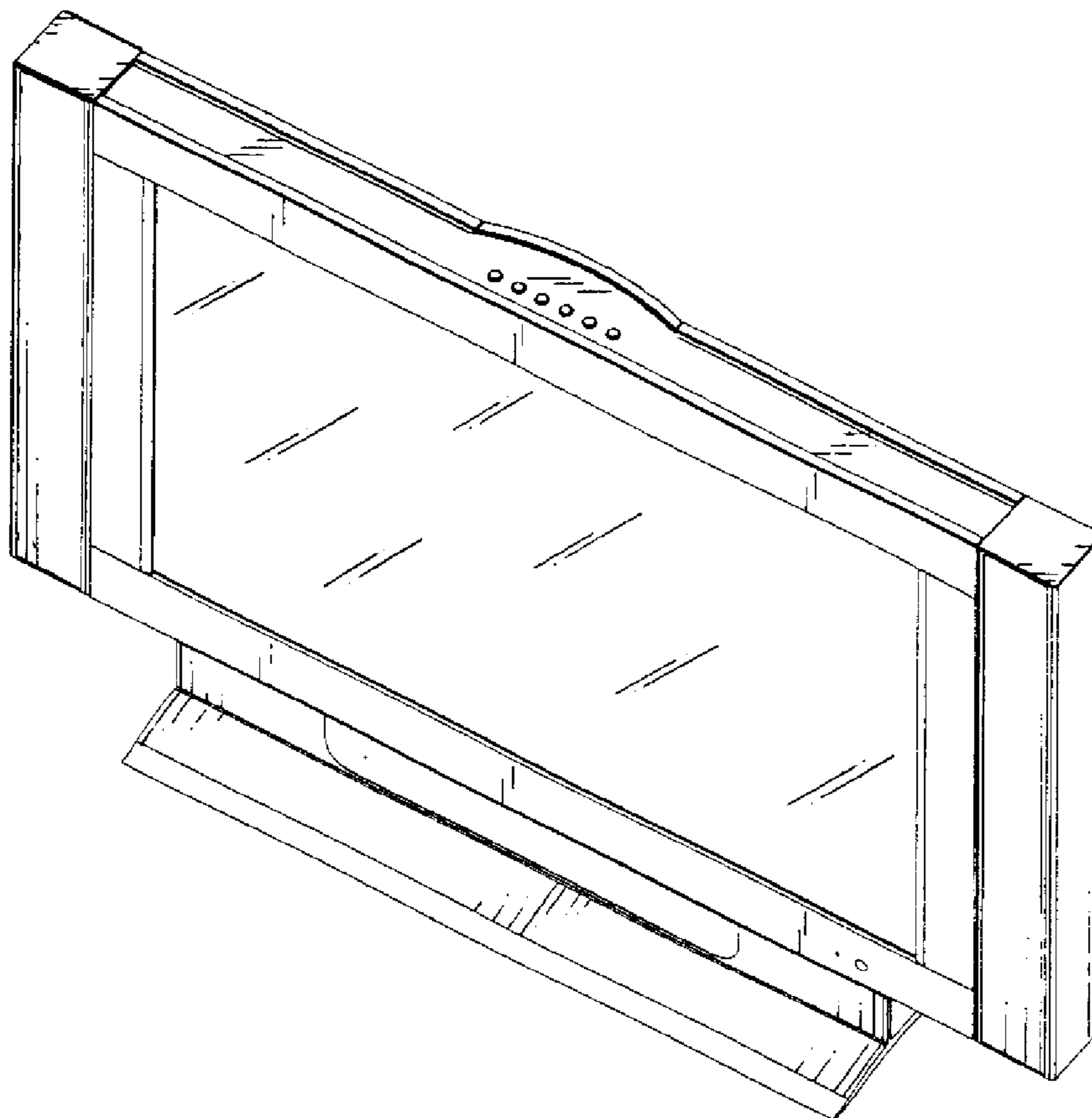
(57) **CLAIM**

The ornamental design for television receiver, as shown and described.

DESCRIPTION

FIG. 1 is a perspective view of a television receiver showing my new design;
 FIG. 2 is a front view thereof;
 FIG. 3 is a rear view thereof;
 FIG. 4 is a left view thereof;
 FIG. 5 is a right view thereof;
 FIG. 6 is a top view thereof; and,
 FIG. 7 is a bottom view thereof.

1 Claim, 3 Drawing Sheets



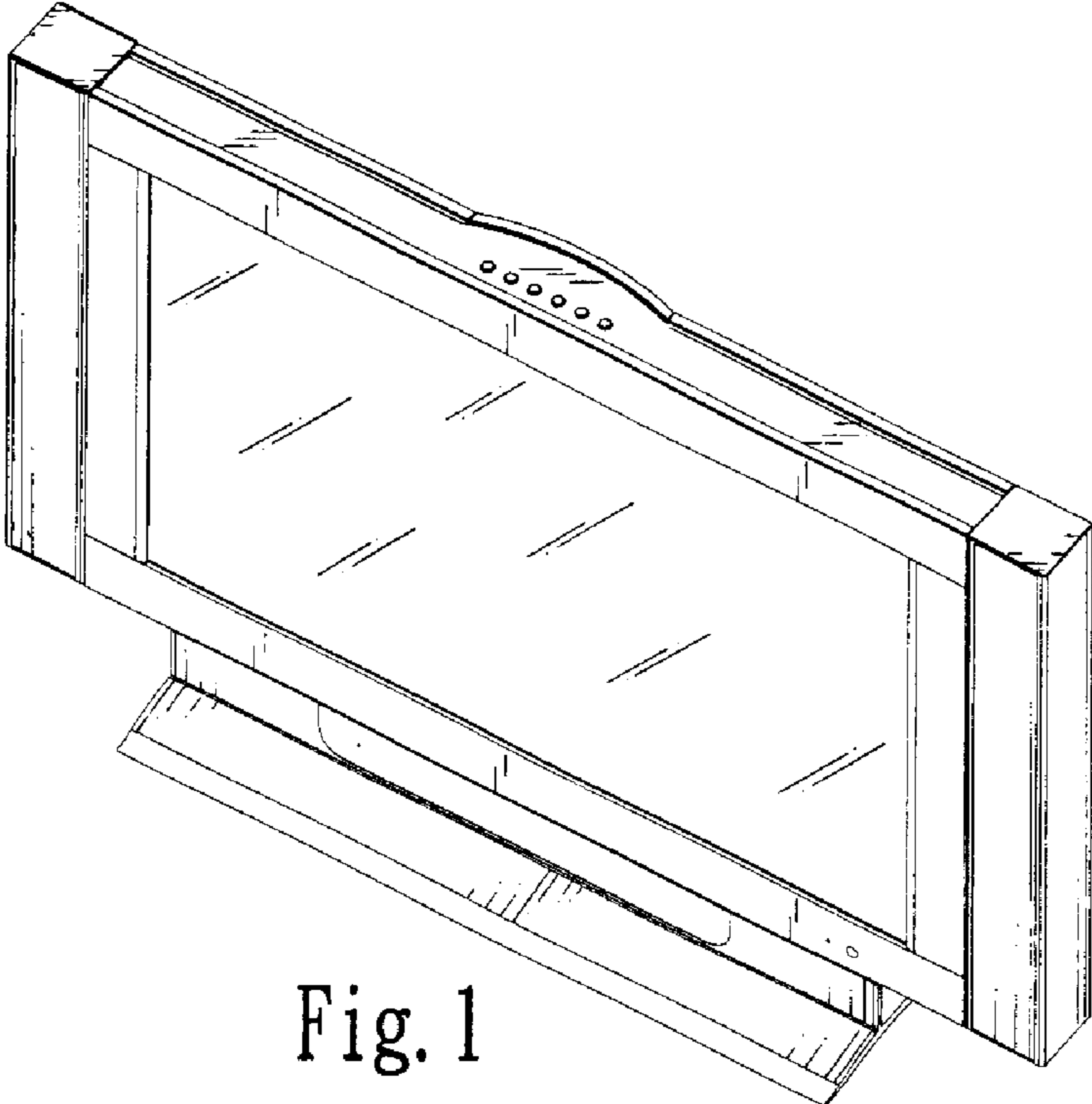


Fig. 1

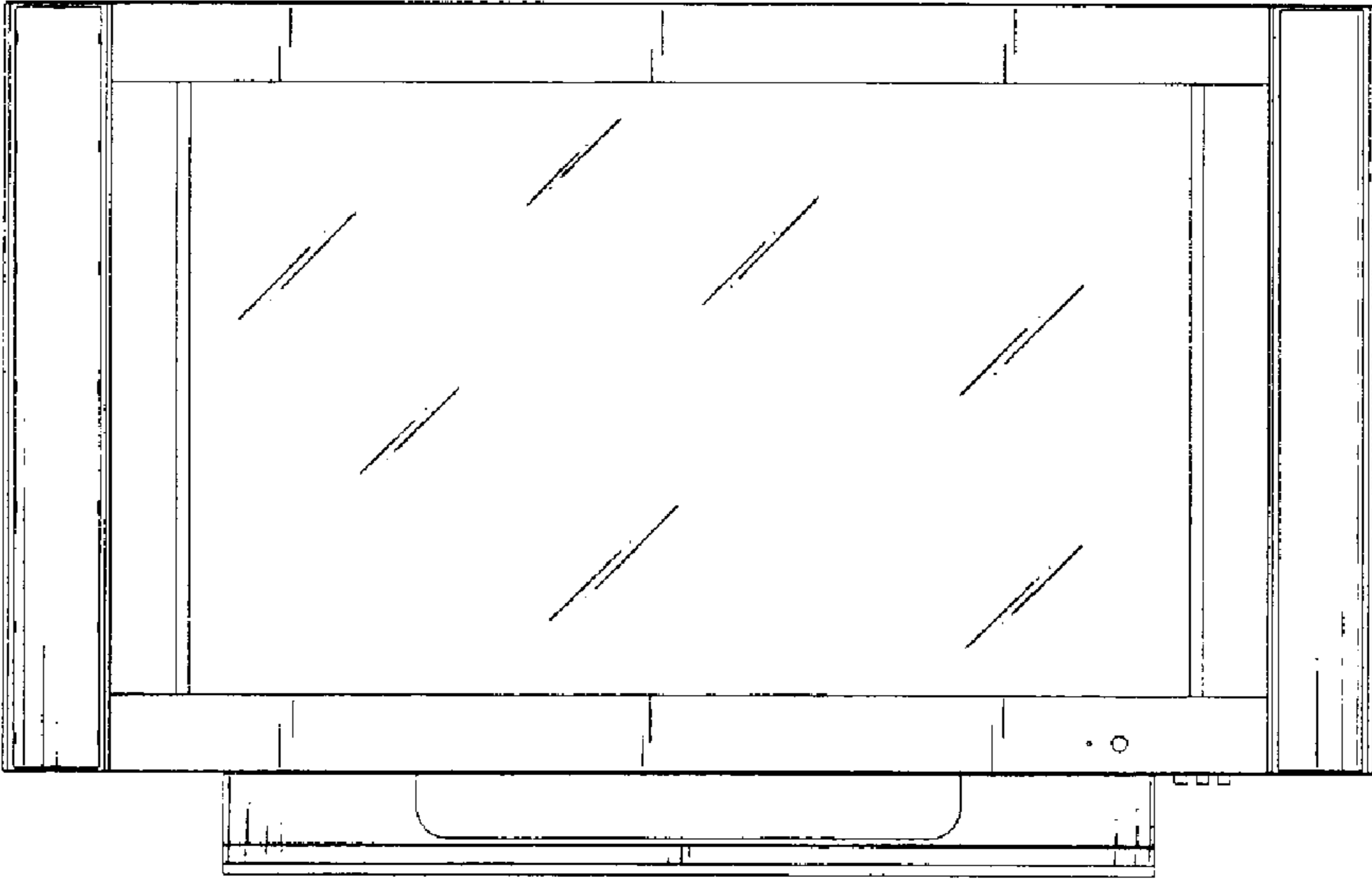


Fig. 2

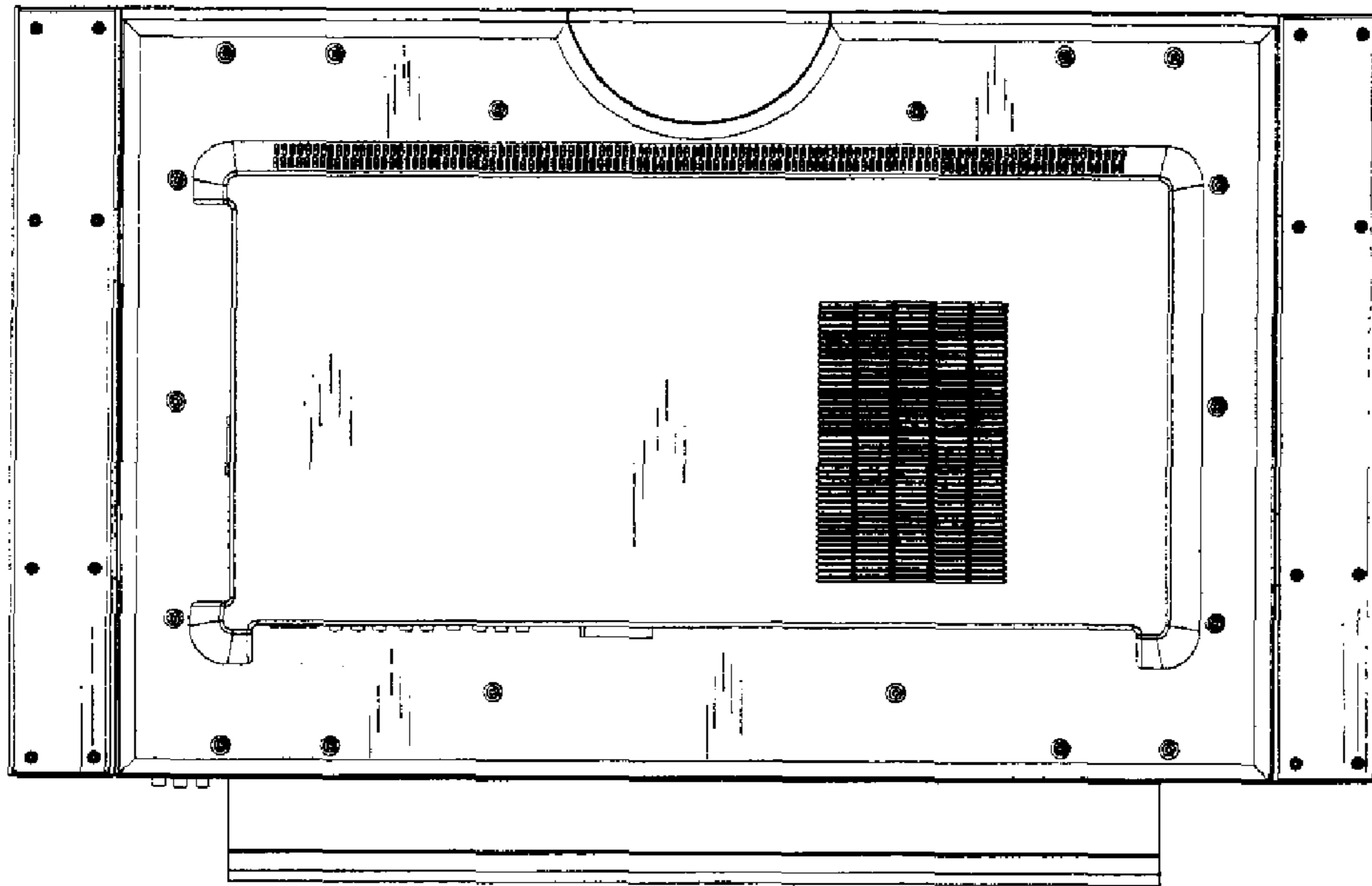


Fig. 3

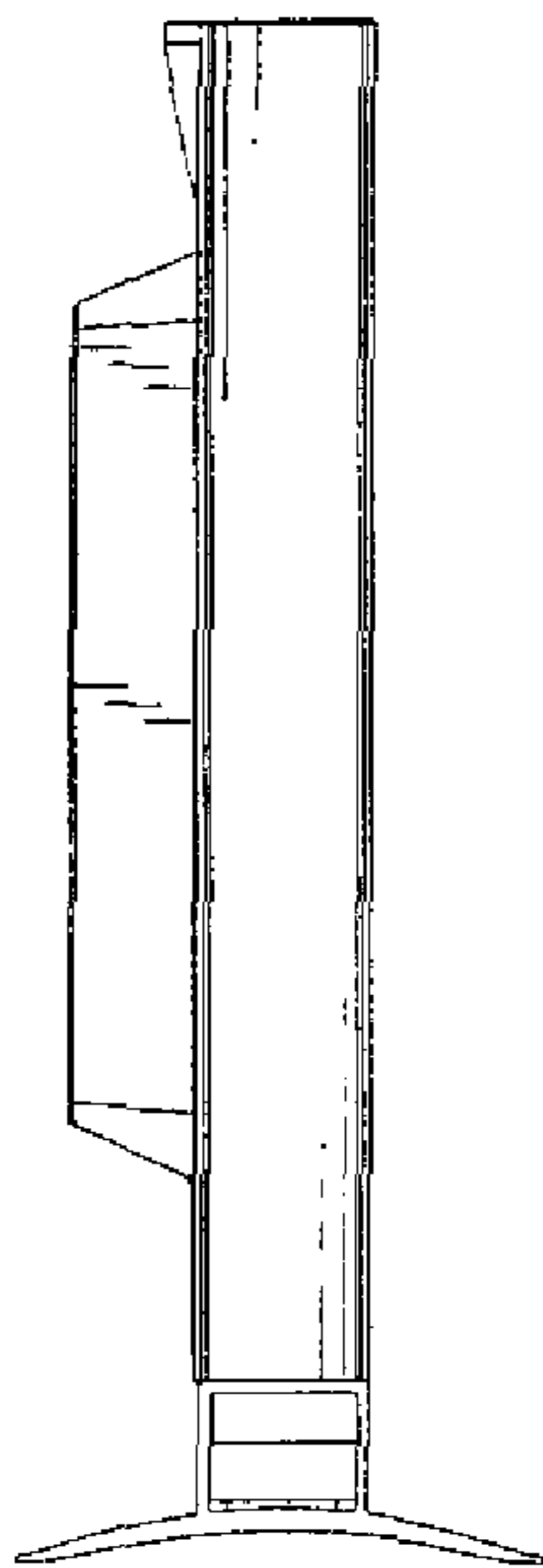


Fig. 4

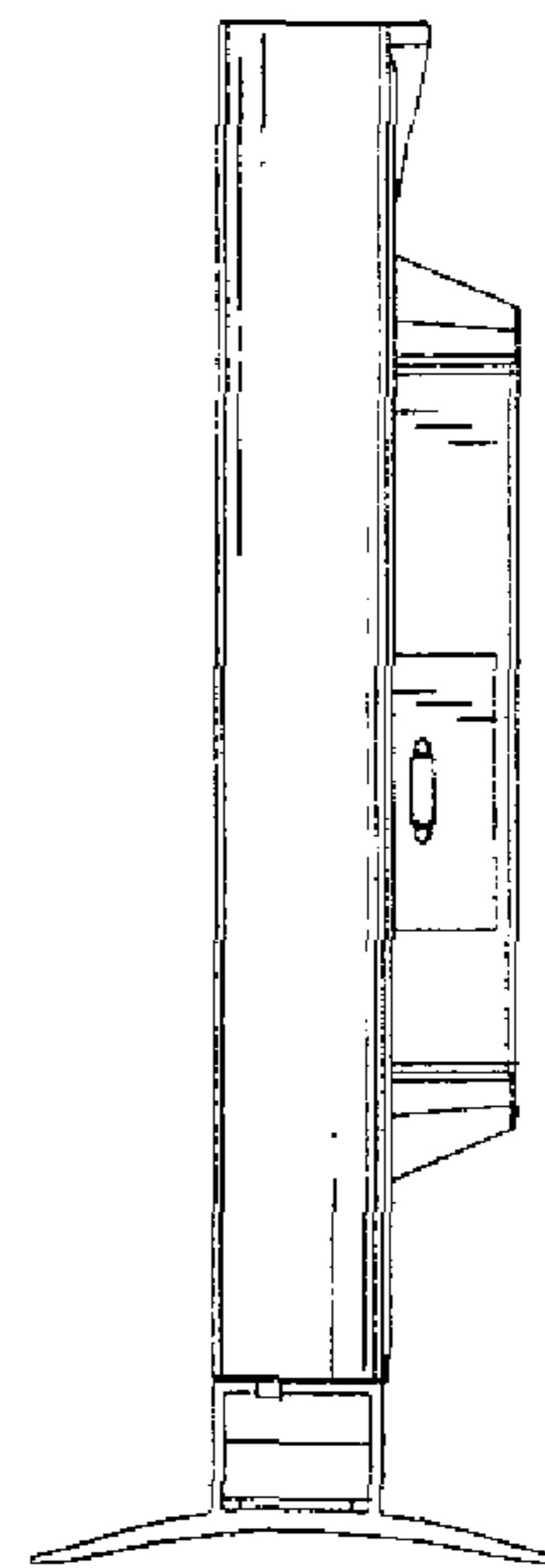


Fig. 5

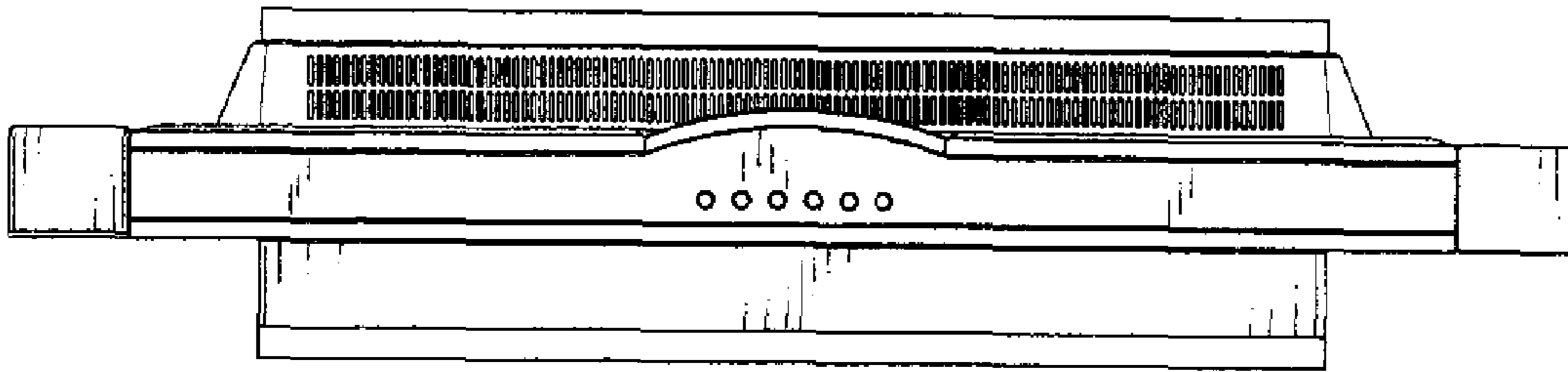


Fig. 6

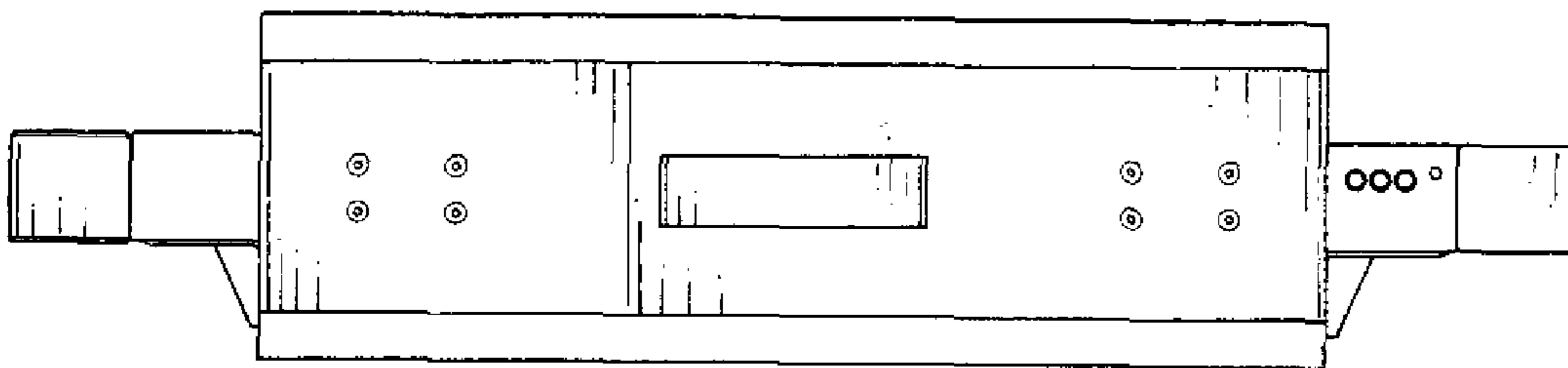


Fig. 7