



US00D510322S

(12) **United States Design Patent** (10) **Patent No.:** **US D510,322 S**
Lee et al. (45) **Date of Patent:** **** Oct. 4, 2005**

(54) **AMP/POWER CONDITIONER 3 OVAL DISPLAY**

(75) Inventors: **Kendrew Lee**, Fremont, CA (US); **Noel Lee**, Daly City, CA (US)

(73) Assignee: **Monster, LLC**, Las Vegas, NV (US)

(**) Term: **14 Years**

(21) Appl. No.: **29/189,205**

(22) Filed: **Aug. 29, 2003**

(51) **LOC (8) Cl.** **13-03**

(52) **U.S. Cl.** **D13/123**

(58) **Field of Search** D13/123, 110,
D13/118, 164, 184, 199; D14/188, 301;
361/437, 600-601, 627, 724, 797, 829

(56) **References Cited**

U.S. PATENT DOCUMENTS

D355,195 S	*	2/1995	Burke	D14/217
D401,940 S	*	12/1998	Flores et al.	D14/140.2
D418,136 S	*	12/1999	Kizawa	D14/188
D421,255 S	*	2/2000	Hisatsune et al.	D14/125
D441,728 S	*	5/2001	Fujikura et al.	D14/140.2
D441,758 S	*	5/2001	Weisz et al.	D14/441
D467,227 S	*	12/2002	Lee	D13/123
D468,263 S	*	1/2003	Lee	D13/123
D468,689 S	*	1/2003	Lee	D13/123
D481,366 S	*	10/2003	Lee	D13/184
D495,699 S	*	9/2004	Oura et al.	D14/356

* cited by examiner

Primary Examiner—Stella Reid

Assistant Examiner—Daniel Bui

(74) *Attorney, Agent, or Firm*—LaRiviere, Grubman & Payne, LLP

(57) **CLAIM**

The ornamental design for an amp/power conditioner 3 oval display, as shown and described.

DESCRIPTION

A portion of the disclosure of this design patent document contains material to which a claim of copyright protection is made. The copyright owner has no objection to the facsimile reproduction of the patent document or the patent disclosure as it appears in the U.S. Patent and Trademark office file or records, but reserves all other copyright rights.

FIG. 1 is a perspective view of an Amp/Power Conditioner 3 oval display, in accordance with the present invention.

FIG. 2 is a front view of an Amp/Power Conditioner 3 Oval Display, in accordance with the present invention.

FIG. 3 is a top view of an Amp/Power Conditioner 3 Oval Display, in accordance with the present invention.

FIG. 4 is a rear elevation of an Amp/Power Conditioner 3 Oval Display, in accordance with the present invention.

FIG. 5 is a bottom view of an Amp/Power Conditioner 3 Oval Display, in accordance with the present invention.

FIG. 6 is a left side view of an Amp/Power Conditioner 3 Oval Display, in accordance with the present invention.

FIG. 7 is a right side view of an Amp/Power Conditioner 3 Oval Display, in accordance with the present invention.

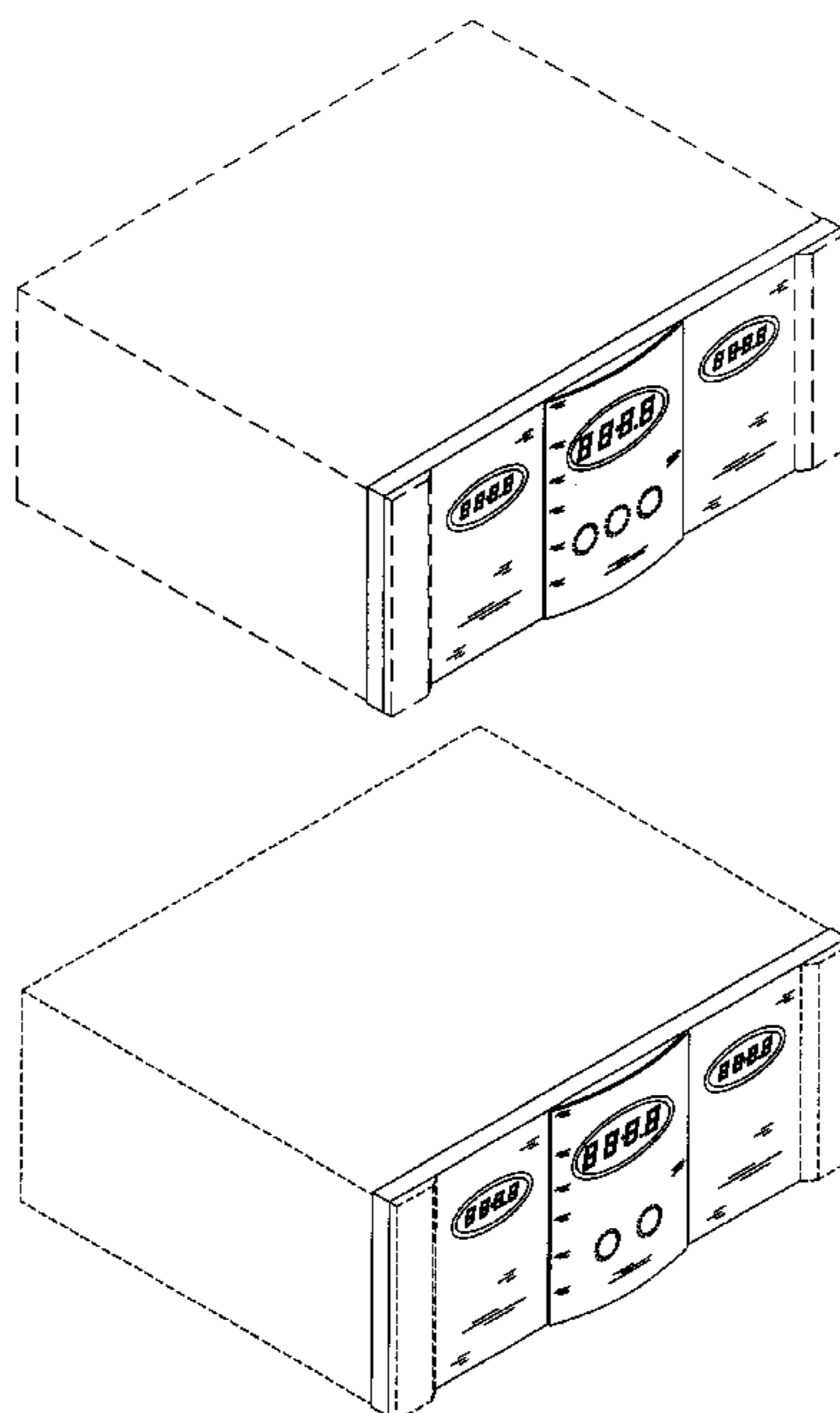
FIG. 8 is a perspective view of FIG. 1 showing an alternative arrangement of environment of an Amp/Power Conditioner 3 oval Display, in accordance with the present invention.

FIG. 9 is a front view of FIG. 2 showing an alternative arrangement of environment of an Amp/Power Conditioner 3 Oval Display, in accordance with the present invention.

FIG. 10 is a rear elevation of FIG. 4 showing an alternate arrangement of environment of an Amp/Power Conditioner 3 Oval Display, in accordance with the present invention.

The broken lines showing the environment in FIGS. 1-10 are for illustrative purposes only and form no part of the claimed design.

1 Claim, 6 Drawing Sheets



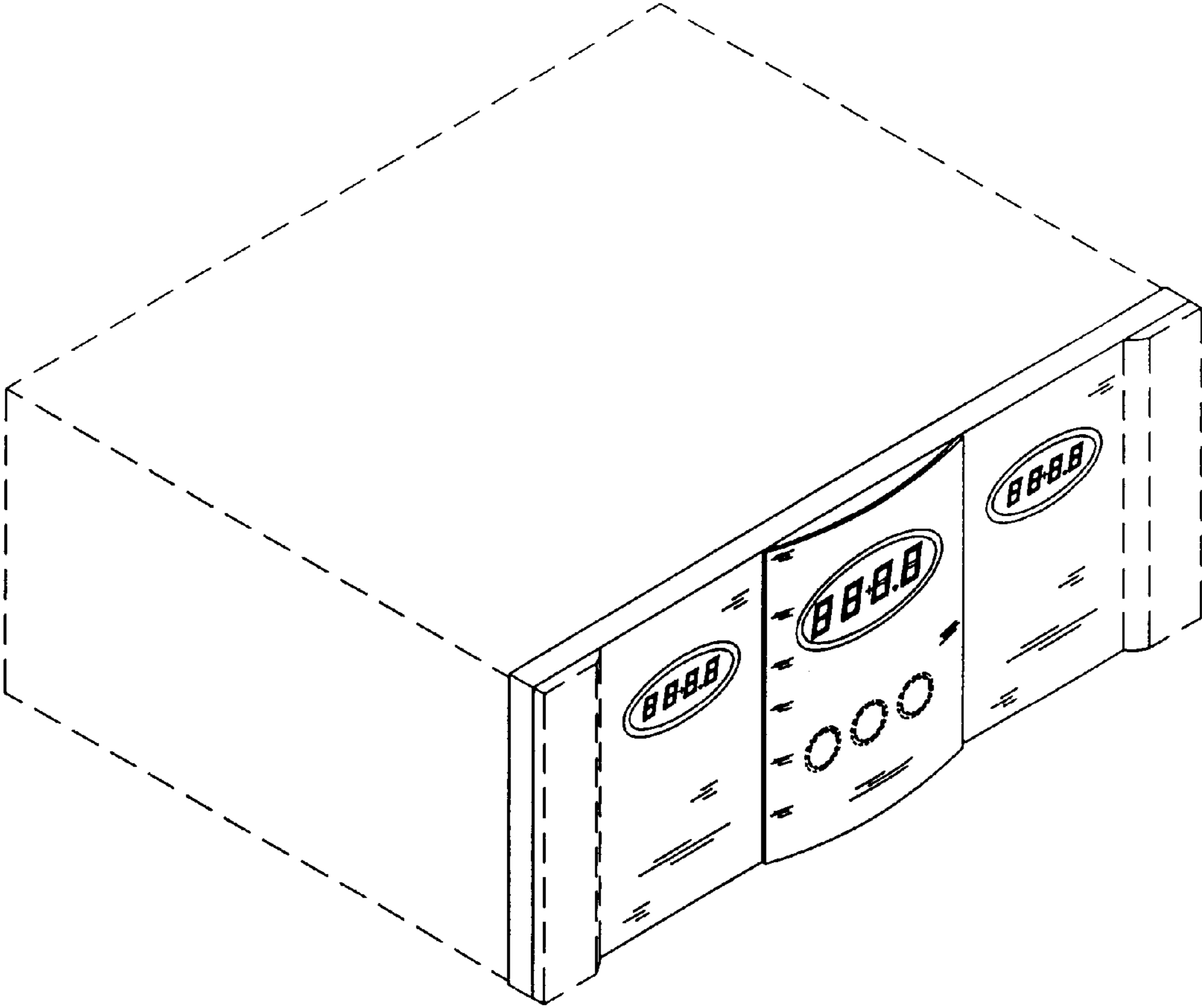


Figure 1

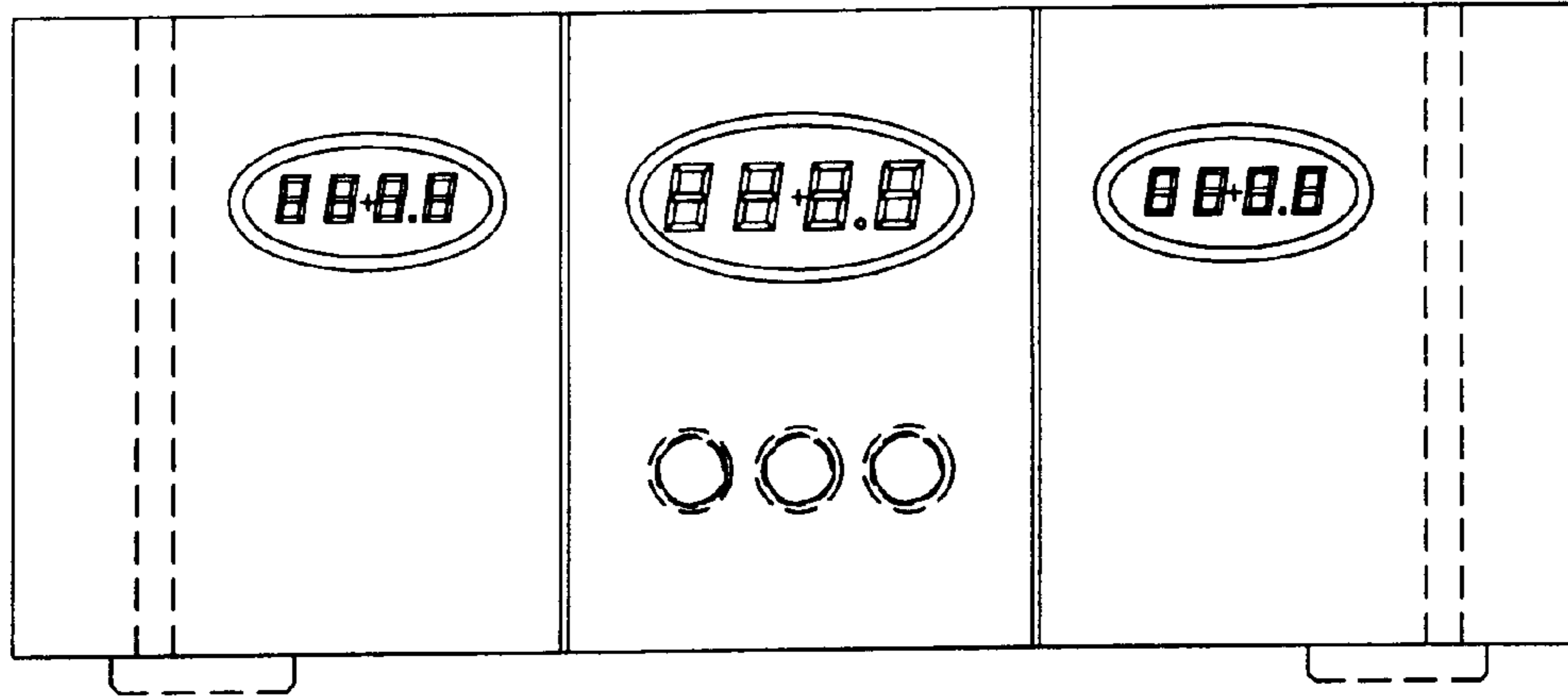


Figure 2

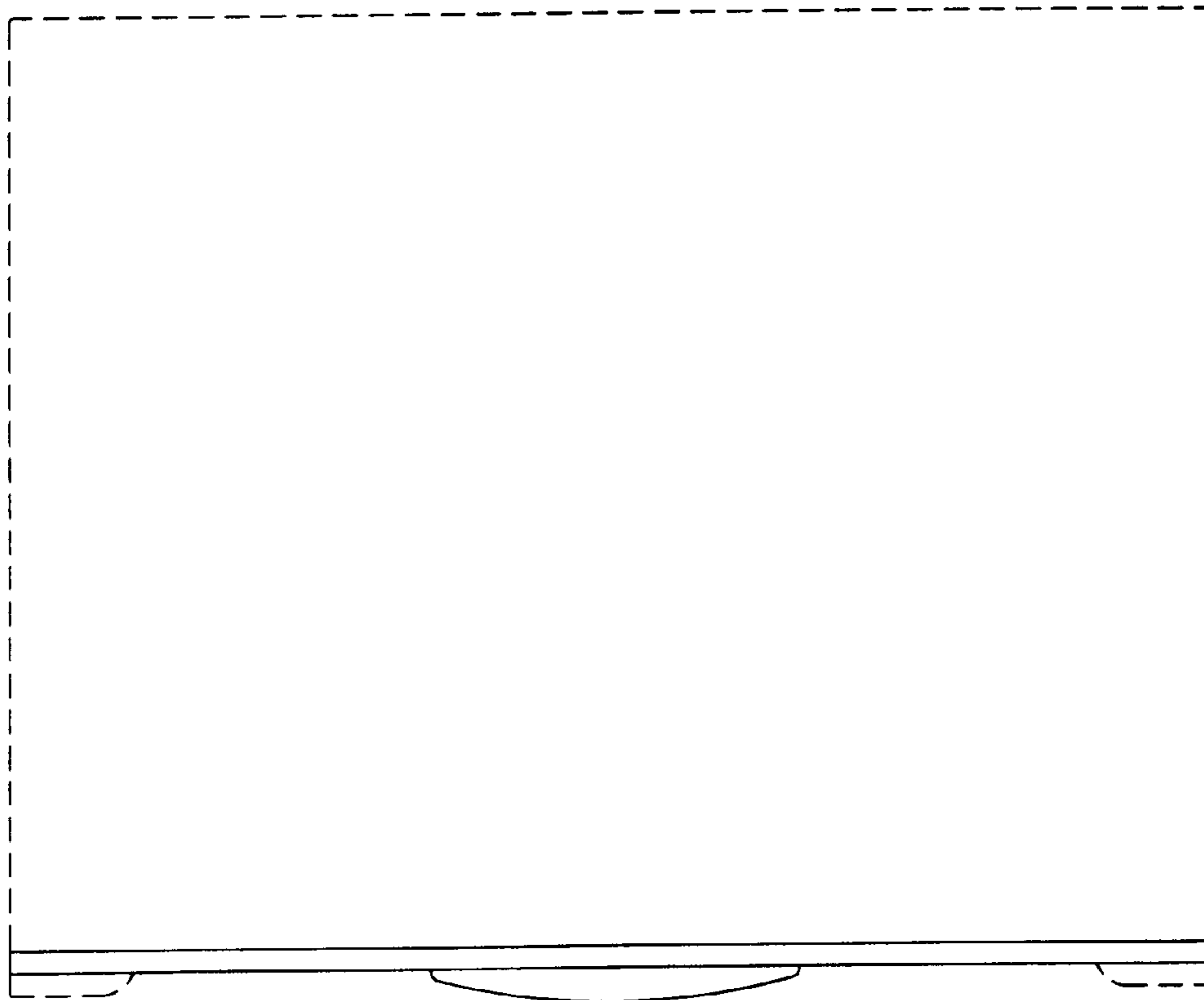


Figure 3

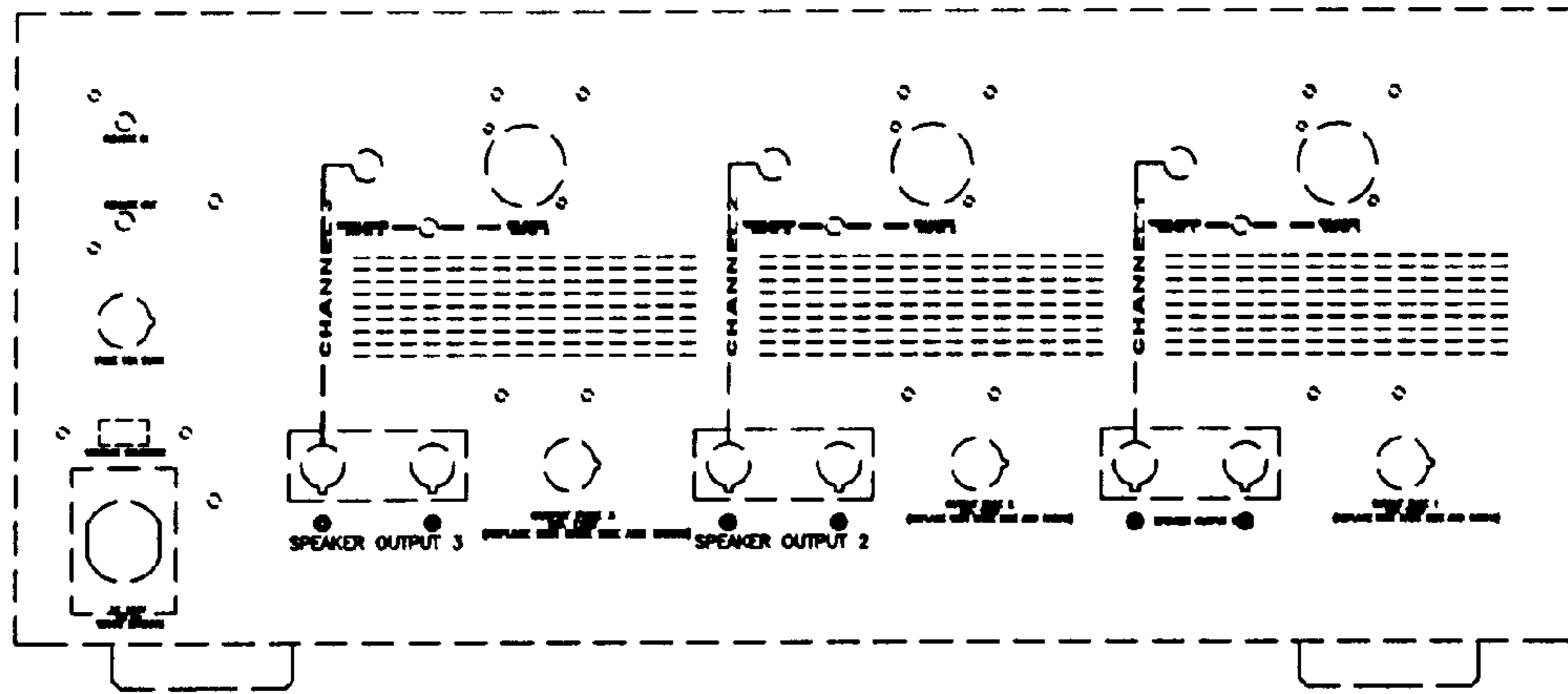


Figure 4

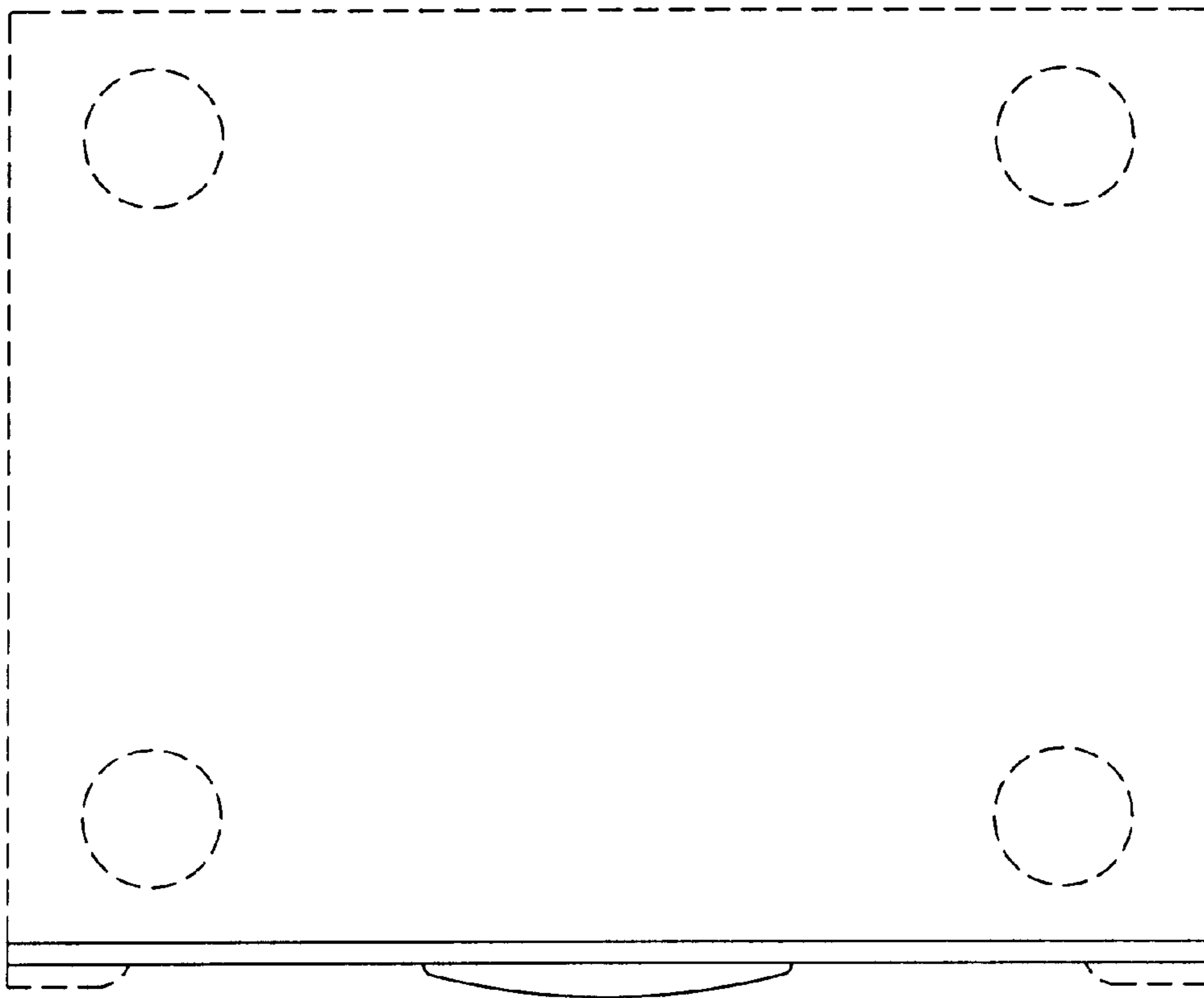


Figure 5



Figure 6



Figure 7

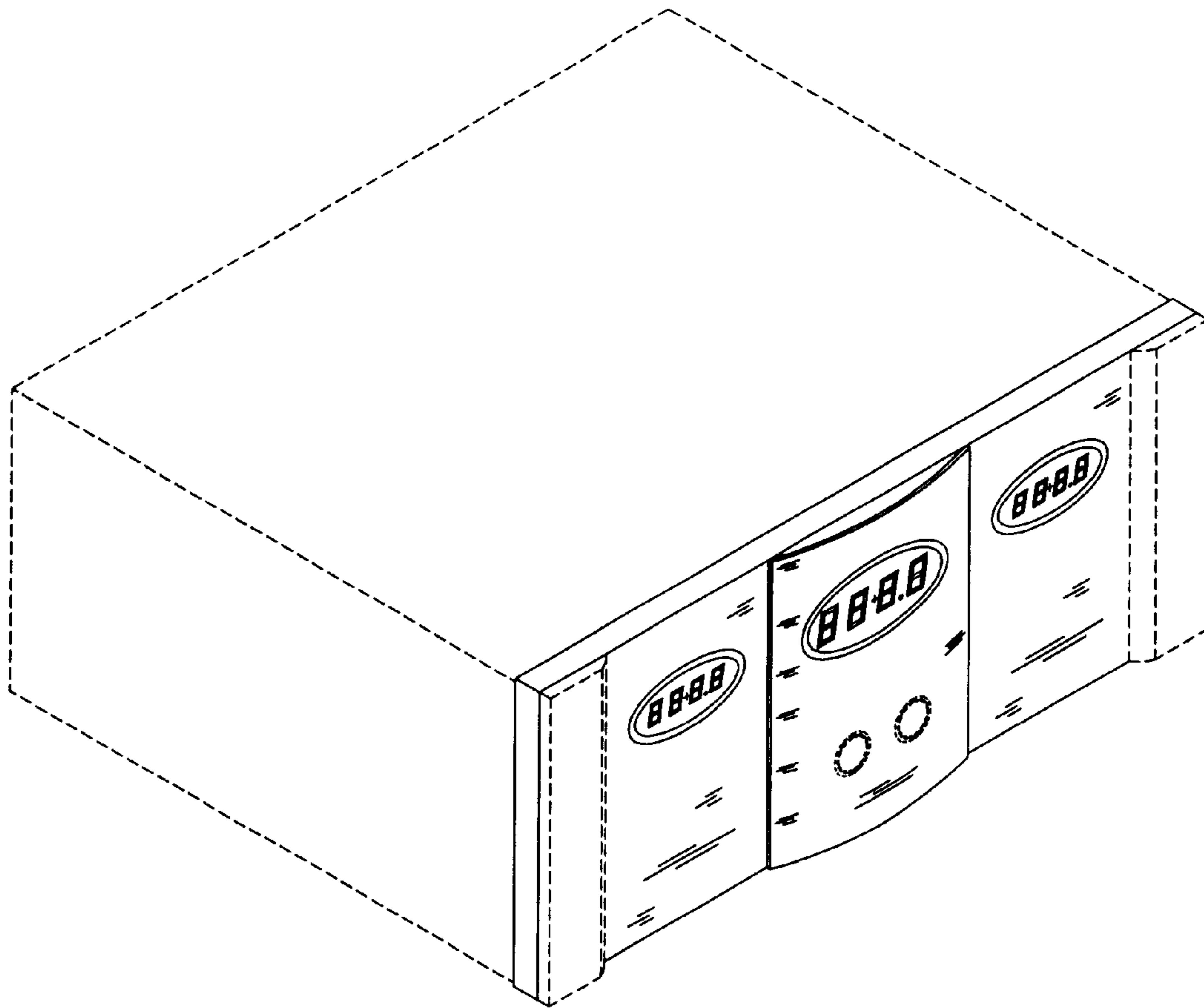


Figure 8

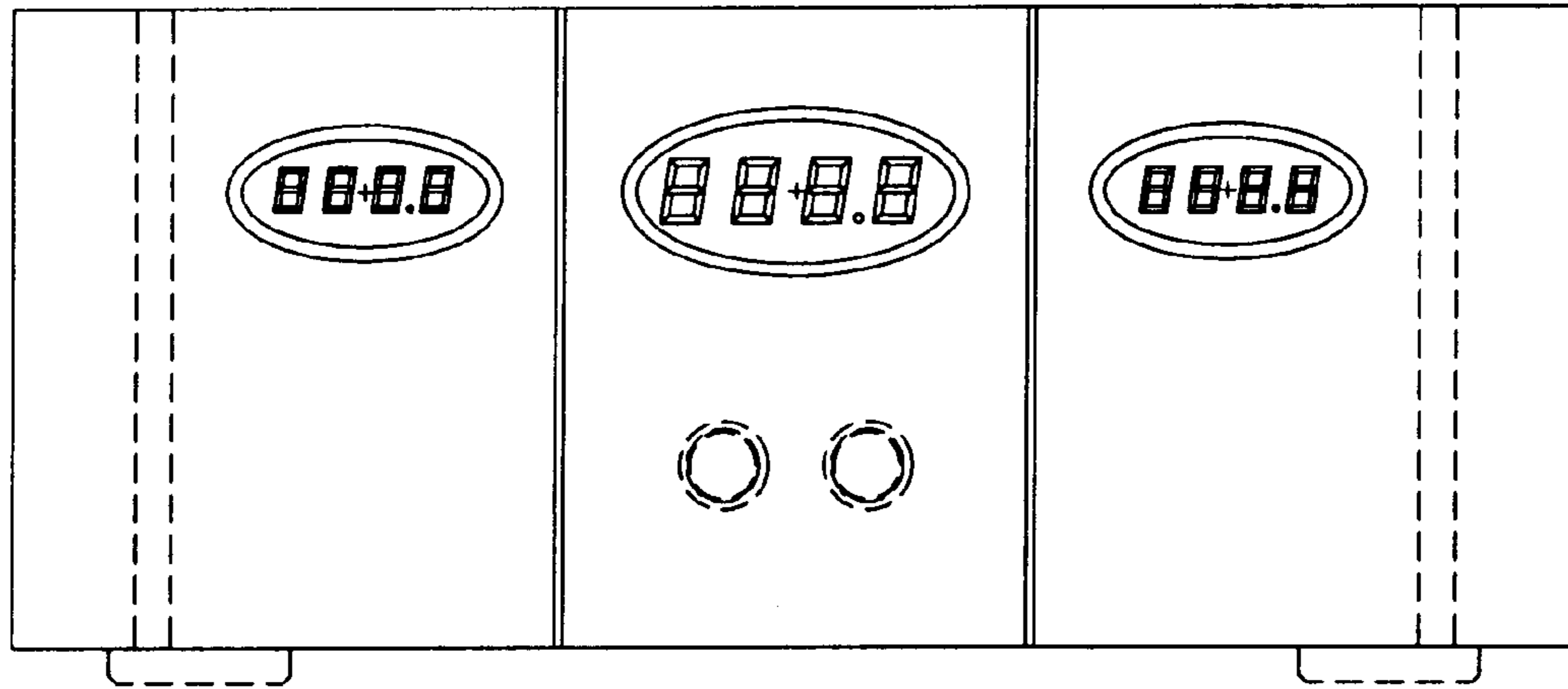


Figure 9

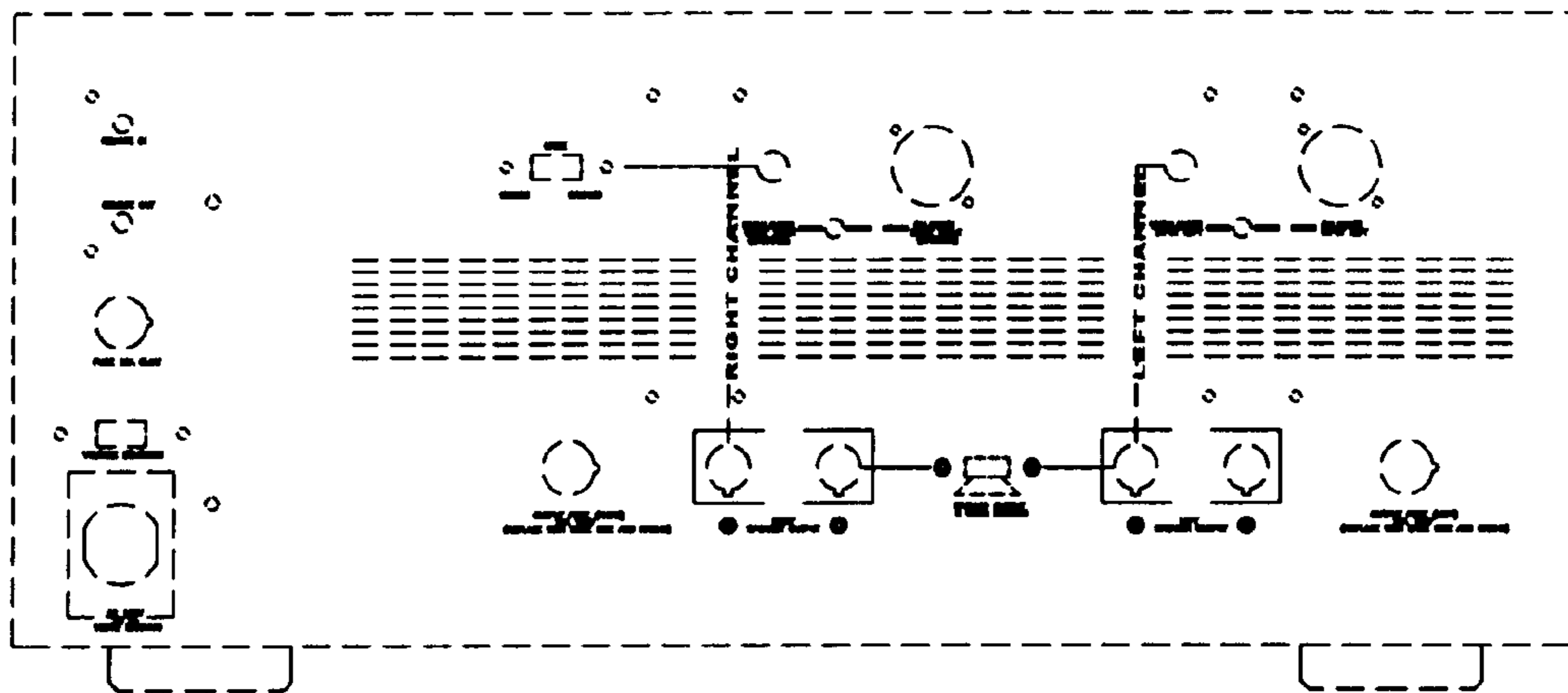


Figure 10