



US00D510321S

(12) **United States Design Patent**
Nakao et al.

(10) **Patent No.:** **US D510,321 S**
(45) **Date of Patent:** **** Oct. 4, 2005**

(54) **INVERTER**
(75) Inventors: **Kazuhiko Nakao, Ichihara (JP);**
Toshiyuki Yamanouchi, Yokohama (JP)

D455,121 S * 4/2002 Takeuchi et al. D13/110
D455,714 S * 4/2002 Kim D13/110
D494,132 S * 8/2004 Song D13/110
D494,133 S * 8/2004 Song D13/110
D503,379 S * 3/2005 Gheno D13/110

(73) Assignees: **Toshiba Schneider Inverter Corporation, Mie-Ken (JP); Schneider Toshiba Inverter Europe S.A.S., Pacy Sue Eure (FR)**

* cited by examiner

(**) Term: **14 Years**

Primary Examiner—Stella Reid
Assistant Examiner—Daniel Bui
(74) *Attorney, Agent, or Firm*—Fross Zelnick Lehrman & Zissu, P.C.; David I. Greenbaum, Esq.

(21) Appl. No.: **29/196,559**

(57) **CLAIM**

(22) Filed: **Dec. 31, 2003**

The ornamental design for an inverter, as shown and described.

(30) **Foreign Application Priority Data**

DESCRIPTION

Jul. 7, 2003 (JP) 2003-019470

(51) **LOC (8) Cl.** **13-02**
(52) **U.S. Cl.** **D13/110**
(58) **Field of Search** D13/110, 122–123,
D13/162, 164, 184, 199; 307/64, 150–151;
361/692, 707, 715, 727–728, 679

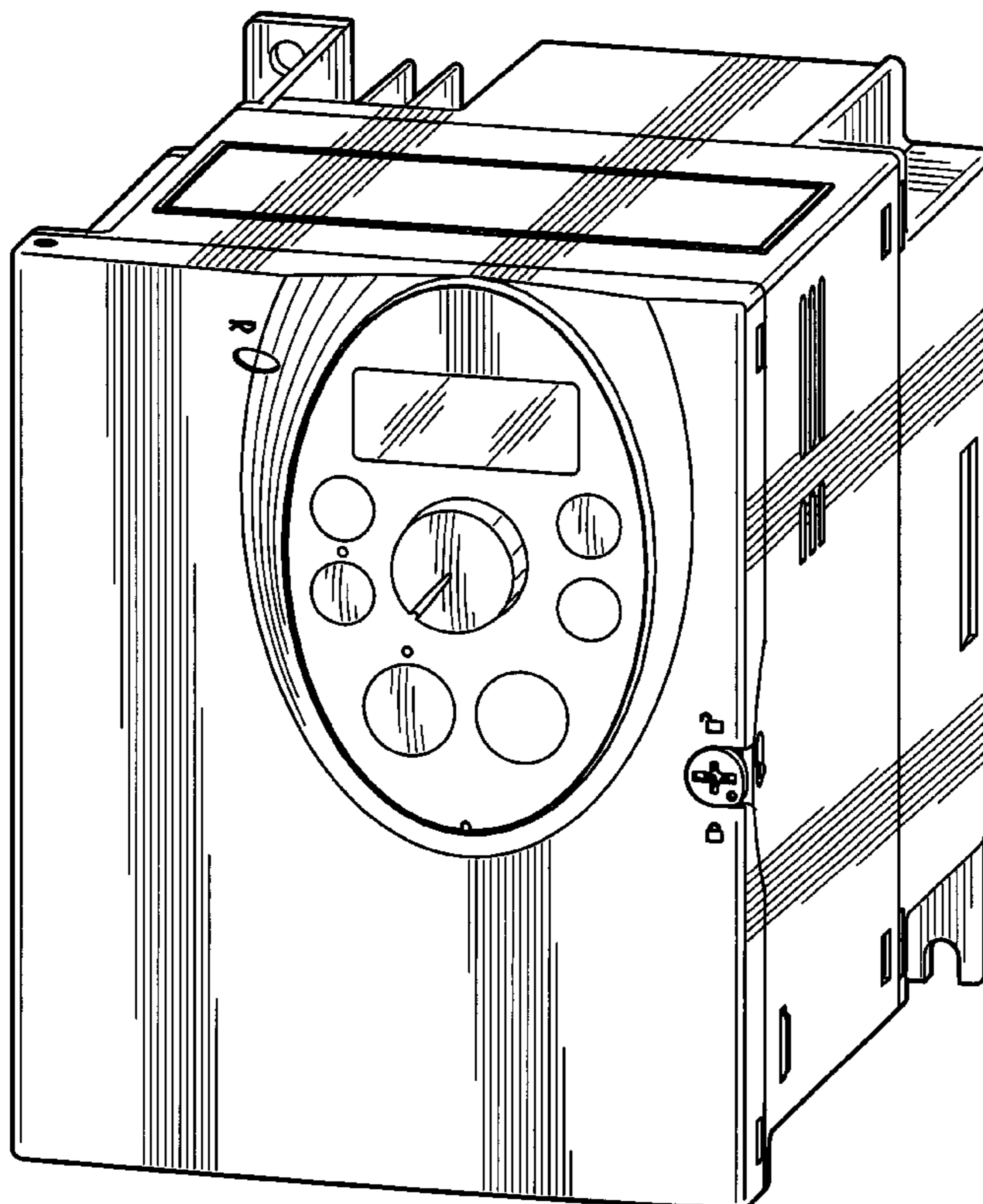
FIG. 1 is a front, top and right side perspective view of an inverter, showing our new design;
FIG. 2 is a front, bottom and right side perspective view thereof;
FIG. 3 is a front elevational view thereof;
FIG. 4 is a rear elevational view thereof;
FIG. 5 is a top plan view thereof;
FIG. 6 is a bottom plan view thereof;
FIG. 7 is a right side elevational view thereof; and,
FIG. 8 is a left side elevational view thereof.

(56) **References Cited**

U.S. PATENT DOCUMENTS

D343,382 S * 1/1994 Hagura et al. D13/110
D358,753 S * 5/1995 Yoshida et al. D13/123
D454,838 S * 3/2002 Takeuchi et al. D13/110

1 Claim, 8 Drawing Sheets



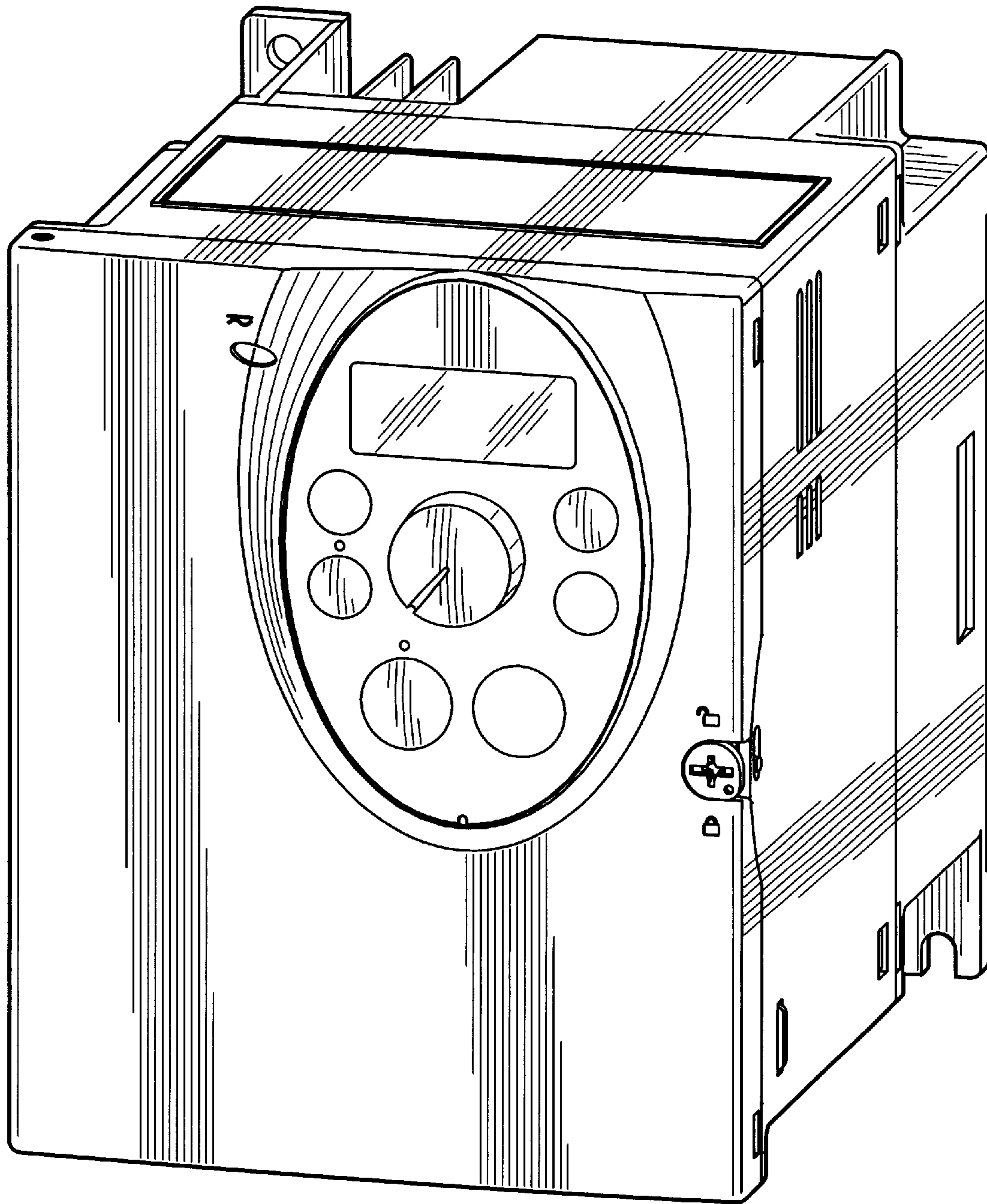


Fig. 1

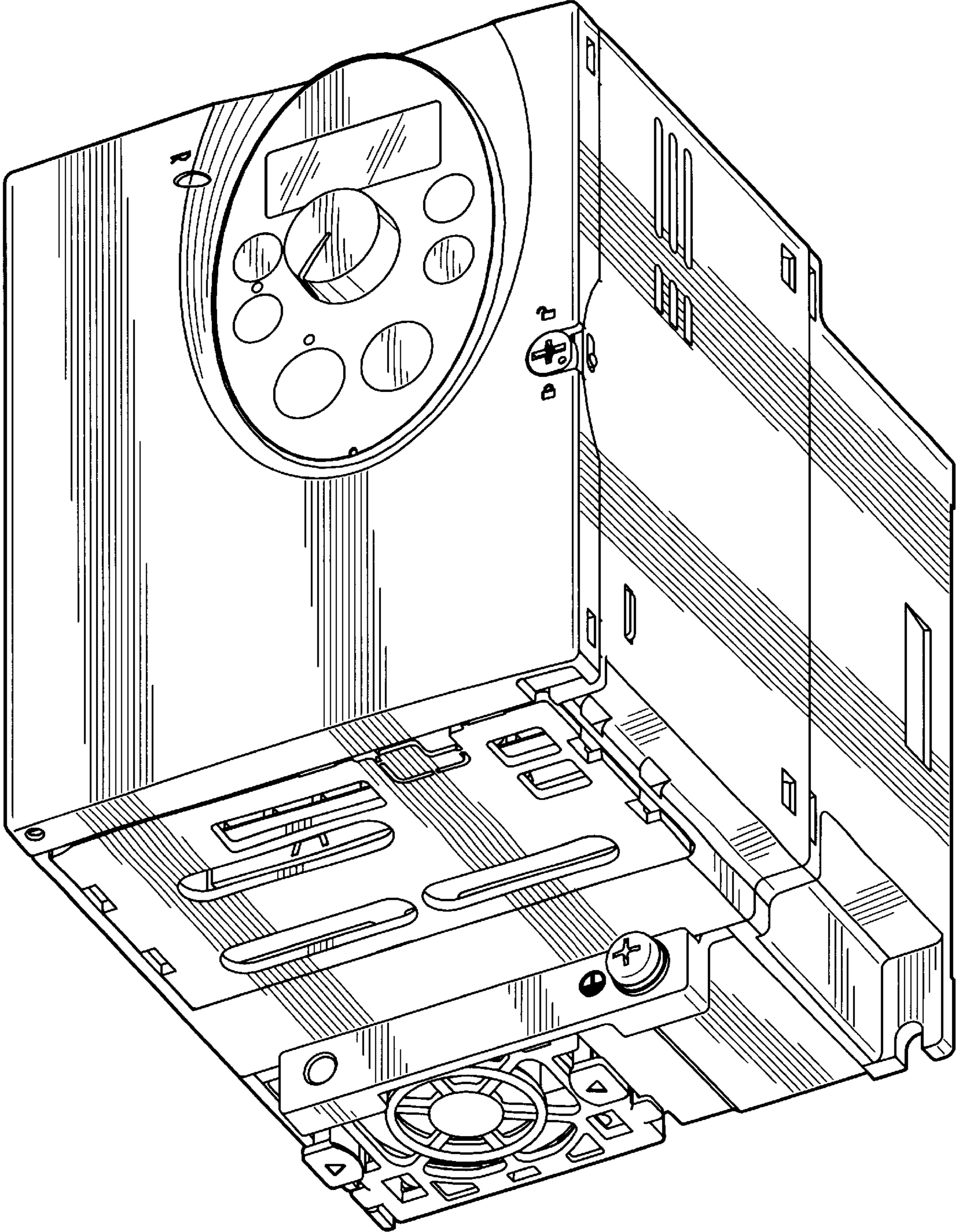


Fig.2

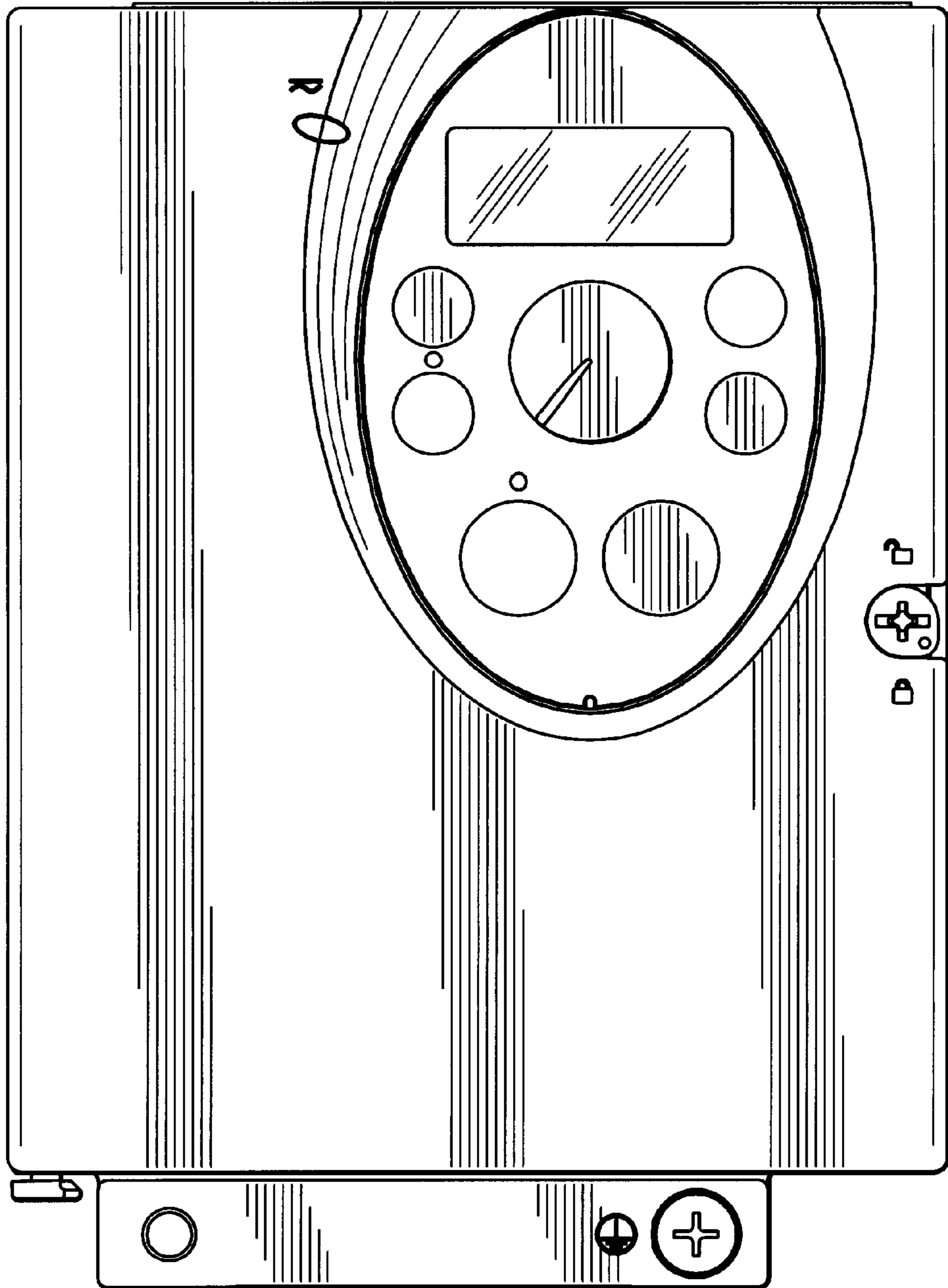


Fig.3

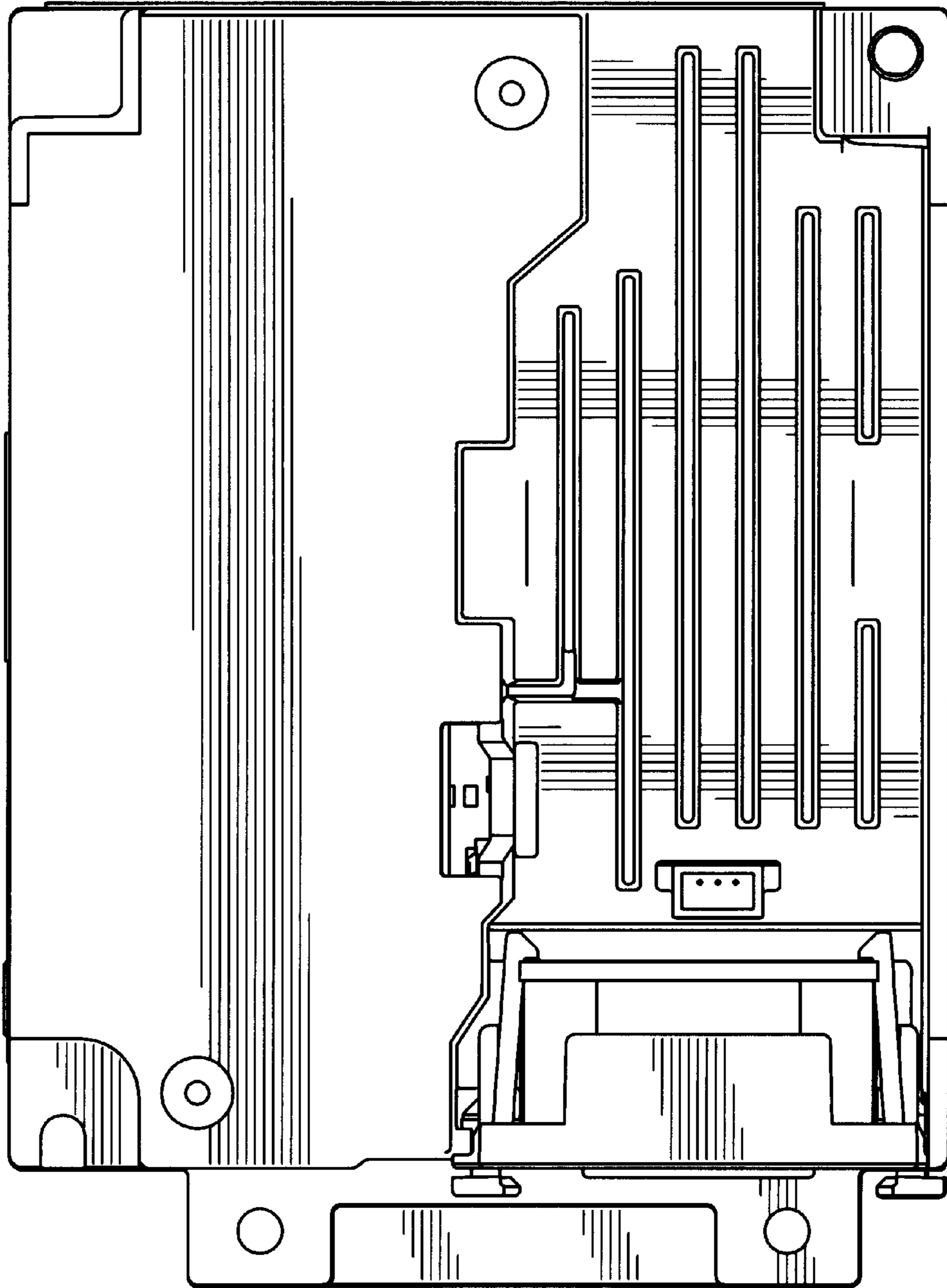


Fig.4

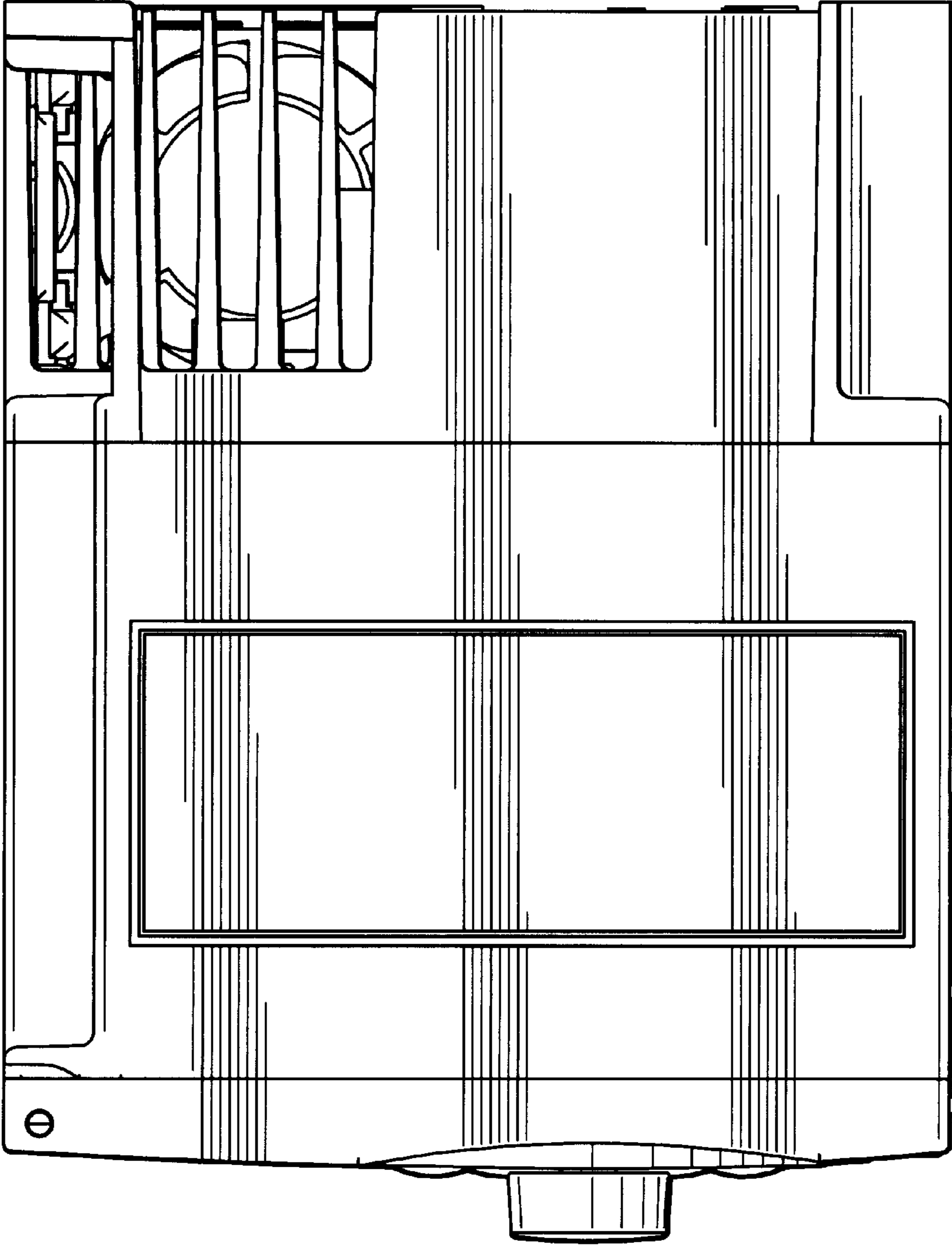


Fig.5

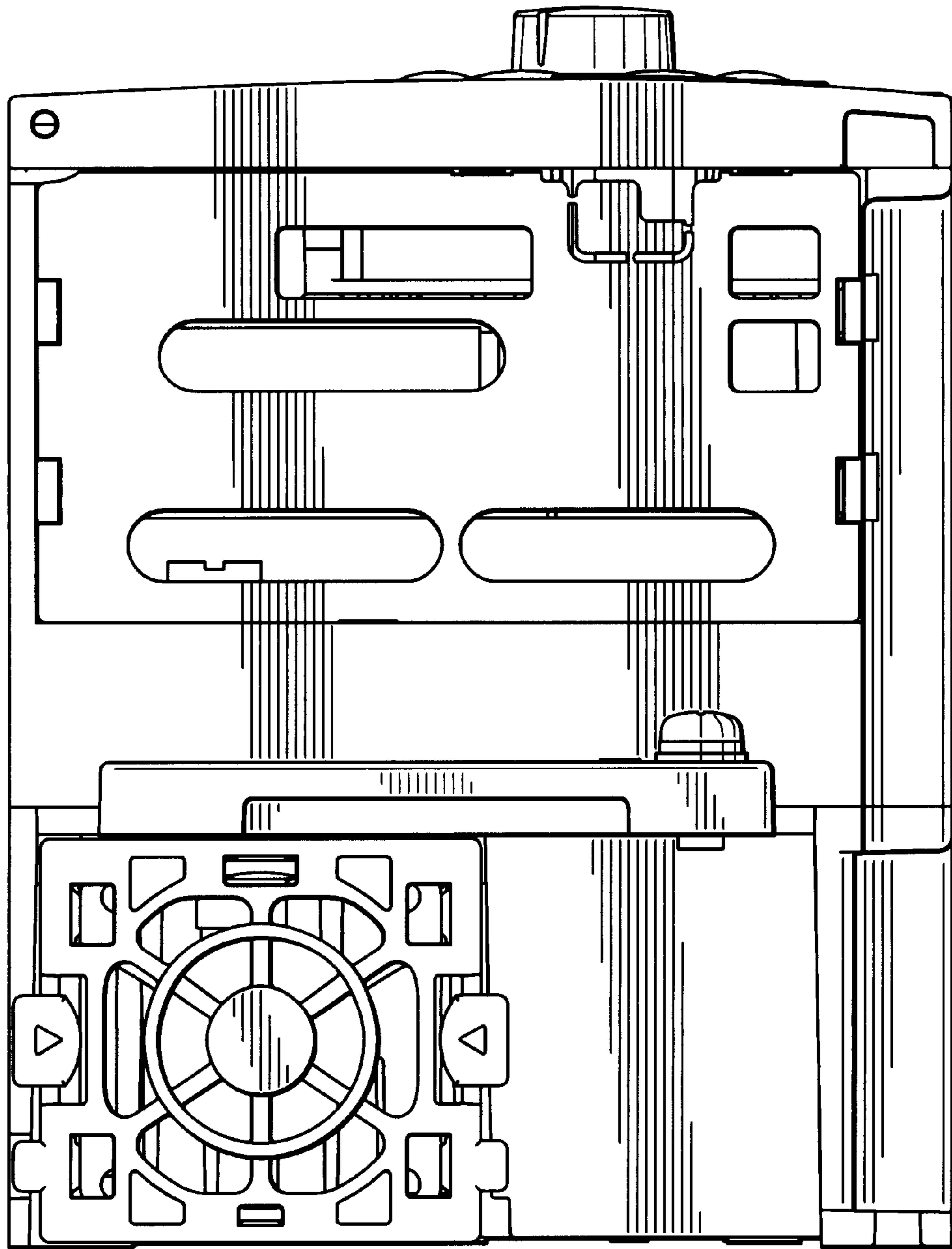


Fig.6

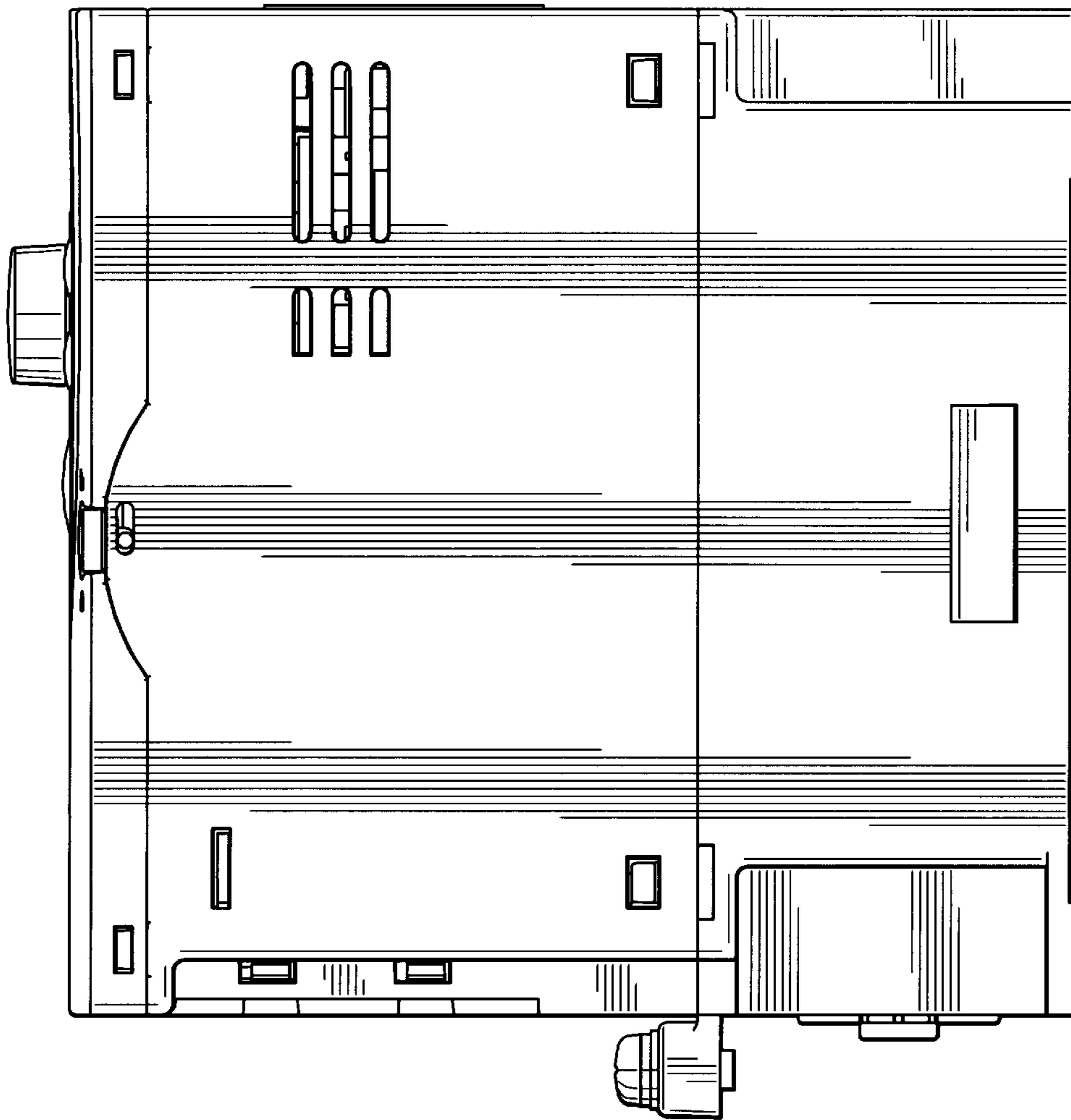


Fig.7

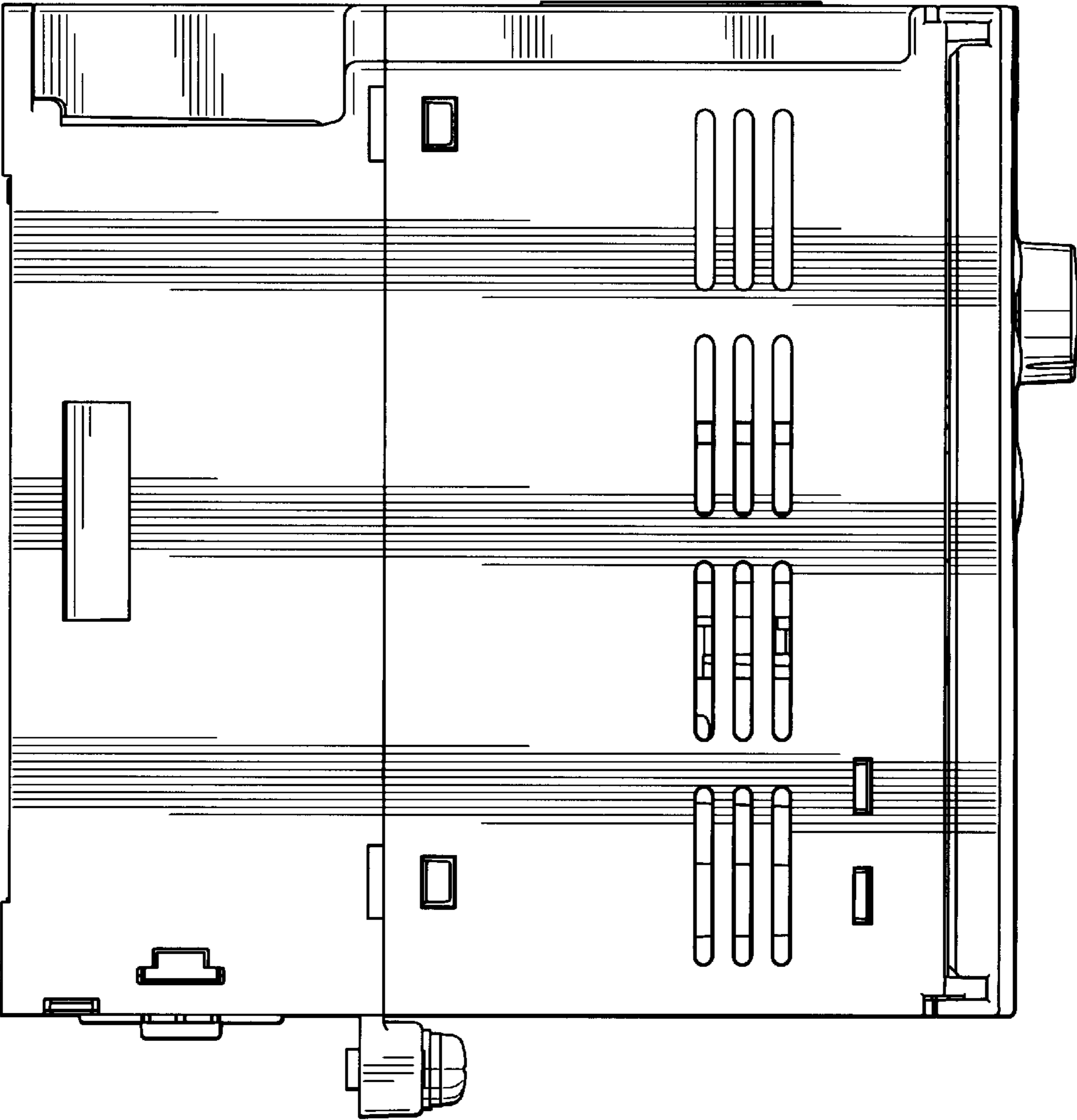


Fig.8