



US00D510315S

(12) **United States Design Patent**  
**Shugar et al.**

(10) **Patent No.:** **US D510,315 S**  
(45) **Date of Patent:** **\*\* Oct. 4, 2005**

(54) **INCLINED PHOTOVOLTAIC ASSEMBLY**

(75) Inventors: **Daniel S. Shugar**, San Bruno, CA (US); **Thomas L. Dinwoodie**, Piedmont, CA (US)

(73) Assignee: **PowerLight Corporation**, Berkeley, CA (US)

(\*\*) Term: **14 Years**

(21) Appl. No.: **29/180,315**

(22) Filed: **Apr. 22, 2003**

(51) **LOC (8) Cl.** ..... **13-02**

(52) **U.S. Cl.** ..... **D13/102**

(58) **Field of Search** ..... D13/101, 102, D13/184, 199; D23/386; 52/173.3, 506.06; 126/621, 623; 136/243-244, 246; 320/101

(56) **References Cited**

**U.S. PATENT DOCUMENTS**

D243,185 S	*	1/1977	Parker et al. ....	D13/102
D256,840 S	*	9/1980	Katz .....	D13/102
4,421,943 A	*	12/1983	Withjack .....	136/246
D279,214 S	*	6/1985	Hanson .....	D13/102
4,612,913 A	*	9/1986	Mori .....	126/606
5,316,592 A		5/1994	Dinwoodie	
5,505,788 A		4/1996	Dinwoodie	
5,746,839 A		5/1998	Dinwoodie	
5,951,785 A		9/1999	Uchihashi et al.	
6,046,399 A		4/2000	Kapner	
6,061,978 A		5/2000	Dinwoodie et al.	
6,148,570 A		11/2000	Dinwoodie et al.	
6,360,497 B1	*	3/2002	Nakazima et al. ....	52/173.3
6,534,703 B2	*	3/2003	Dinwoodie .....	136/251
6,809,251 B2	*	10/2004	Dinwoodie .....	136/251
2003/0010374 A1	*	1/2003	Dinwoodie .....	136/251
2003/0010375 A1	*	1/2003	Dinwoodie .....	136/251
2004/0000334 A1	*	1/2004	Ressler .....	136/251
2004/0007260 A1	*	1/2004	Dinwoodie .....	136/251
2004/0154655 A1	*	8/2004	Tanaka .....	136/244

**FOREIGN PATENT DOCUMENTS**

JP 403145168 A 6/1991

**OTHER PUBLICATIONS**

Shugar, Daniel S., "PowerLight Completes 50 kW of PV Systems in Wyoming," Press Release, Oct. 10, 1996, 2 pages.

Shugar, Daniel S., "PowerLight to Install Solar Electric Roof Tile Manufacturing Facility with NYSERDA Cost-Sharing," Press Release Mar. 21, 1997, 1 page.

Shugar, Daniel S, et al., "Photovoltaic Roof Tiles for Commercial Buildings," Solar Today, (Jul./Aug. 1996) 18-20.

\* cited by examiner

*Primary Examiner*—Stella Reid

*Assistant Examiner*—Daniel Bui

(74) *Attorney, Agent, or Firm*—James F. Hann; Haynes Beffel & Wolfeld LLP

(57) **CLAIM**

The ornamental design for an inclined photovoltaic assembly, as shown and described.

**DESCRIPTION**

This is related to our copending U.S. patent application, titled Multiple Position Photovoltaic Assembly, application Ser. No. 10/292,400 and filed on 12 Nov. 2002, the disclosure of which is incorporated by reference.

An inclined photovoltaic assembly made according to the invention is mounted to a roof or other support structure and is used as a source of electrical energy.

FIG. 1 is a top, front, right side isometric view of an inclined photovoltaic assembly showing our new design;

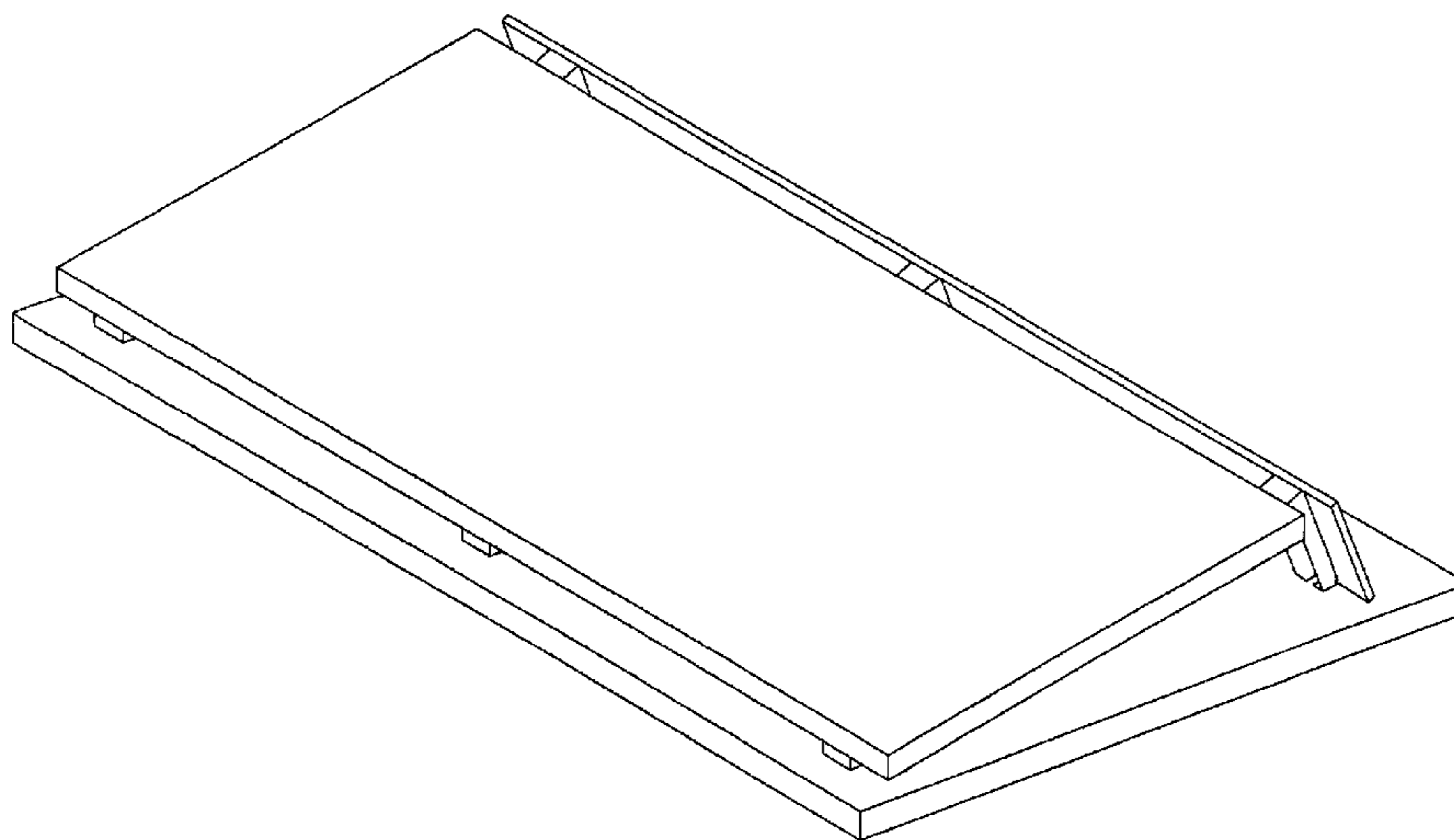
FIG. 2 is a top plan view thereof;

FIG. 3 is a front elevational view thereof;

FIG. 4 is a rear elevational view thereof; and,

FIG. 5 is a right side elevational view thereof, the left side elevational view being a mirror image.

**1 Claim, 5 Drawing Sheets**



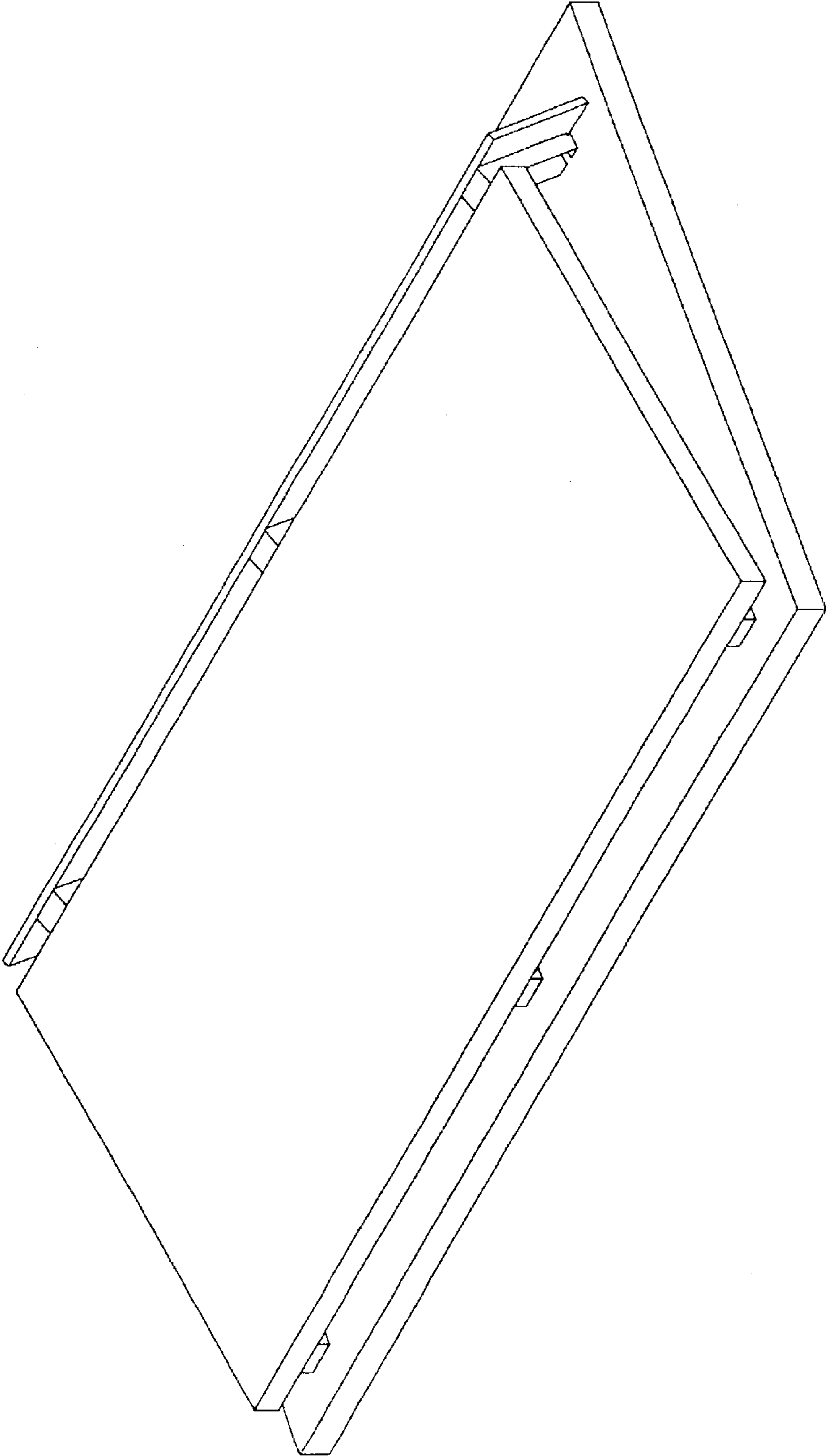


Figure 1

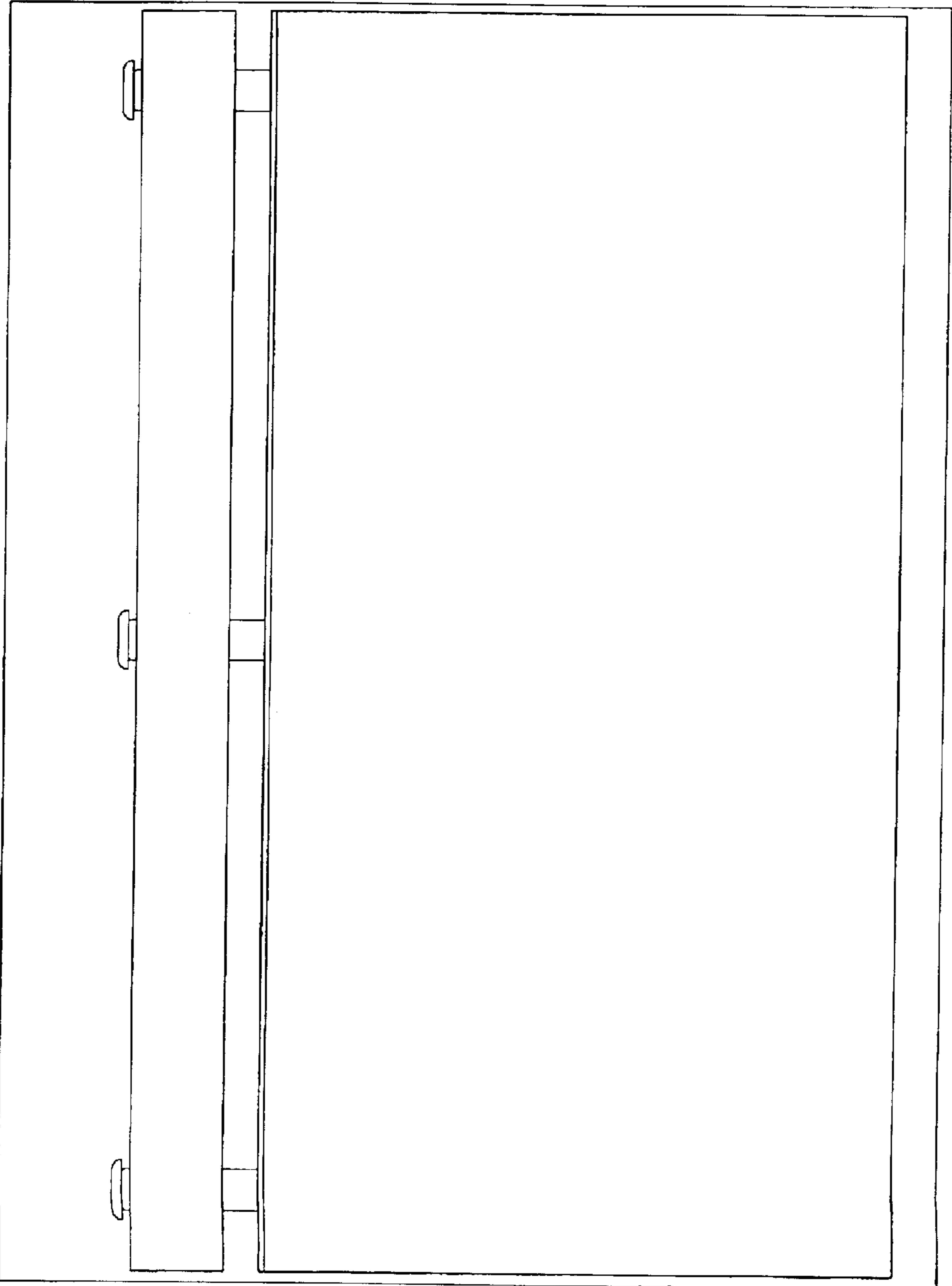


Figure 2

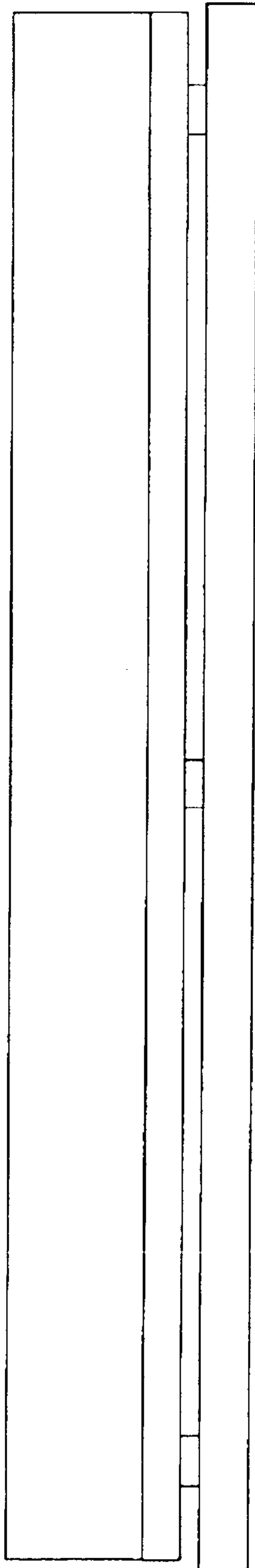


Figure 3

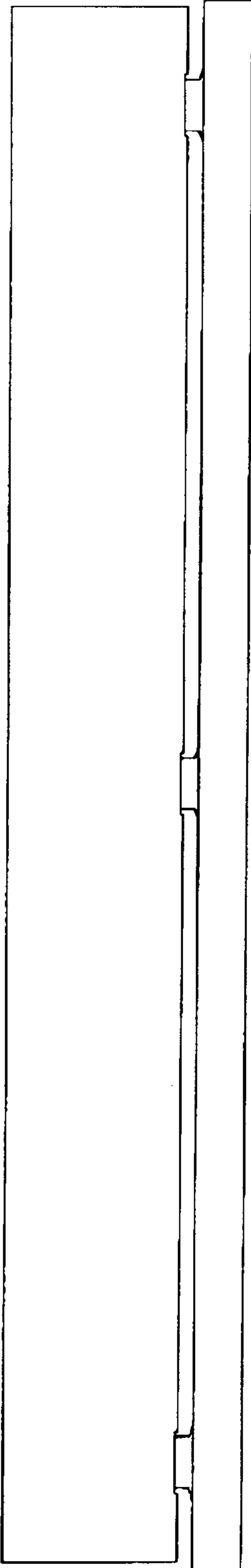


Figure 4

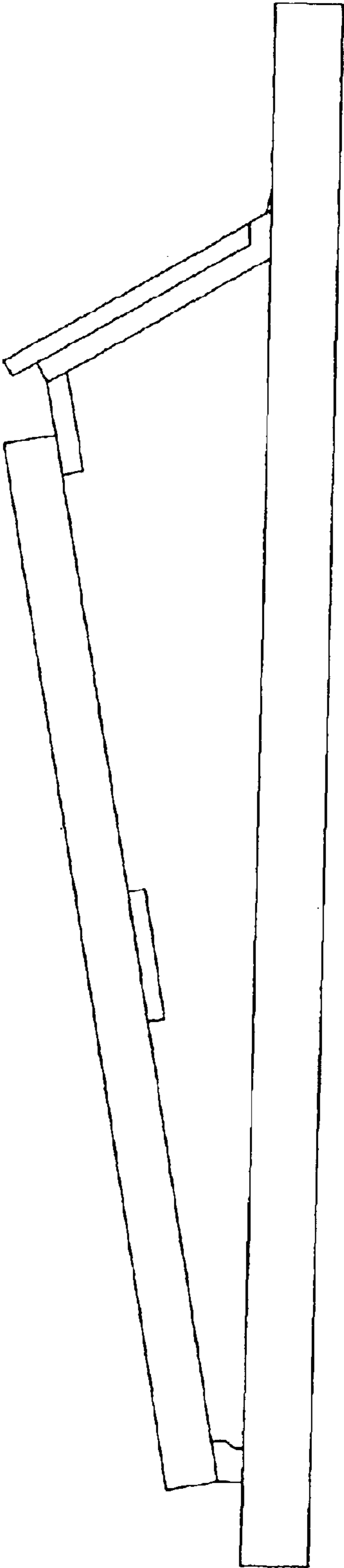


Figure 5