



US00D510313S

(12) **United States Design Patent** (10) **Patent No.:** **US D510,313 S**  
**Jones et al.** (45) **Date of Patent:** **\*\* Oct. 4, 2005**

(54) **AIRCRAFT RINSE PAD PANEL**

(75) Inventors: **Garrett Wade Jones**, Lindale, TX (US); **Robert Wayne Jones**, Lindale, TX (US); **Kazuto Otsuba**, Longview, TX (US); **Christopher Michael Vasiliotis**, Lindale, TX (US)

(73) Assignee: **LBJ Technologies, L.L.C.**, Tyler, TX (US)

(\*\*) Term: **14 Years**

(21) Appl. No.: **29/218,591**

(22) Filed: **Dec. 3, 2004**

(51) **LOC (8) Cl.** ..... **12-07**

(52) **U.S. Cl.** ..... **D12/345**

(58) **Field of Search** ..... D12/319-345;  
454/154, 286; 244/121, 129.4

(56) **References Cited**

**U.S. PATENT DOCUMENTS**

D455,390 S \* 4/2002 Granzeier et al. .... D12/345  
D455,705 S \* 4/2002 Granzeier et al. .... D12/345

\* cited by examiner

*Primary Examiner*—Marcus A. Jackson

(74) *Attorney, Agent, or Firm*—Scott L. Harper; Carstens & Cahoon, LLP

(57) **CLAIM**

The ornamental design for a aircraft rinse pad panel, as shown and described.

**DESCRIPTION**

FIG. 1 is a perspective view of the aircraft rinse pad panel of the present invention;

FIG. 2 is a top elevation view of the aircraft rinse pad panel of the present invention;

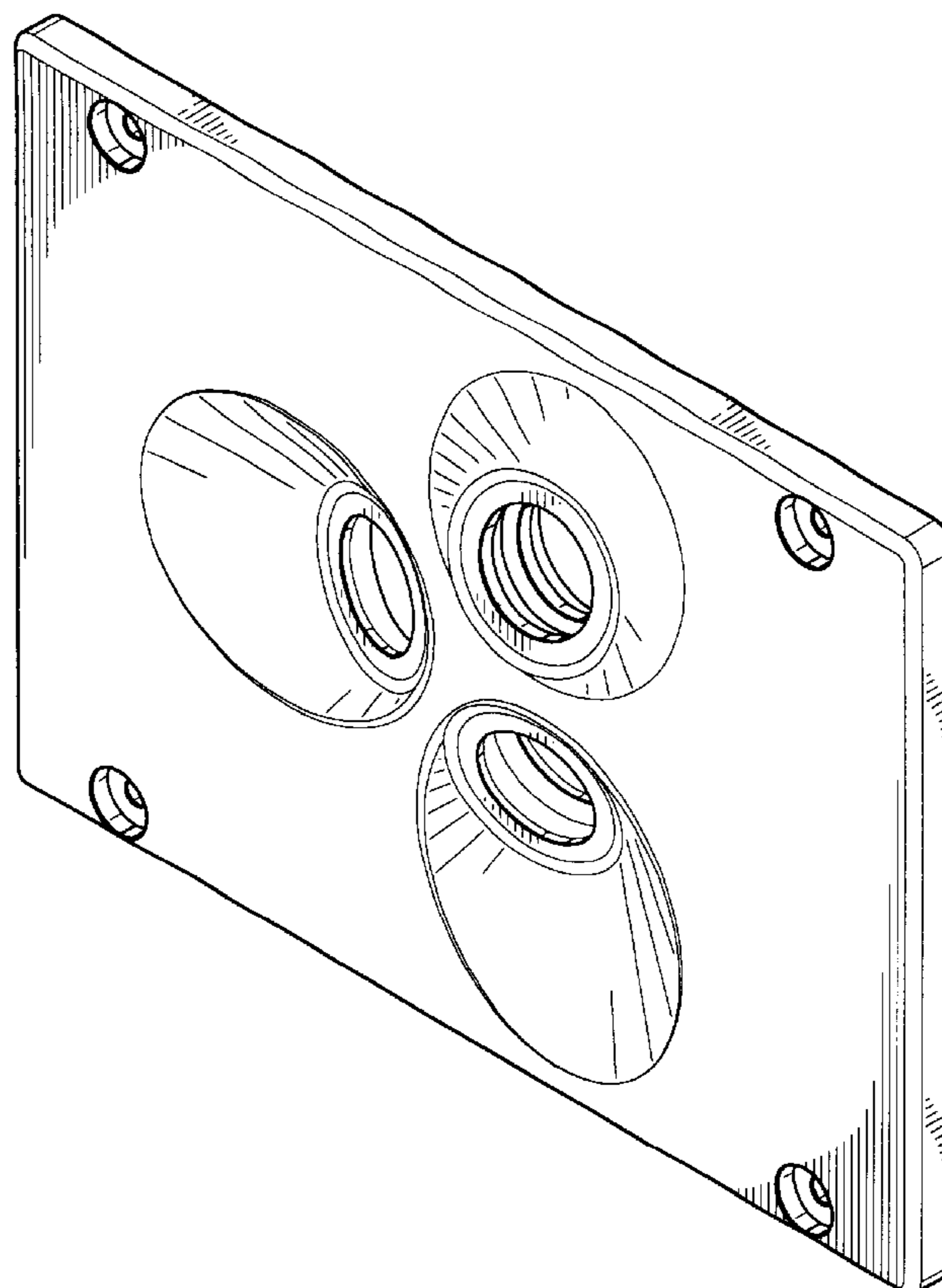
FIG. 3 is a front elevation view of the aircraft rinse pad panel of the present invention;

FIG. 4 is a rear elevation view of the aircraft rinse pad panel of the present invention;

FIG. 5 is a bottom elevation view of the aircraft rinse pad panel of the present invention; and,

FIG. 6 is a right side elevation view of the aircraft rinse pad panel of the present invention, with the left elevation view a mirror image of the right elevation view.

**1 Claim, 2 Drawing Sheets**



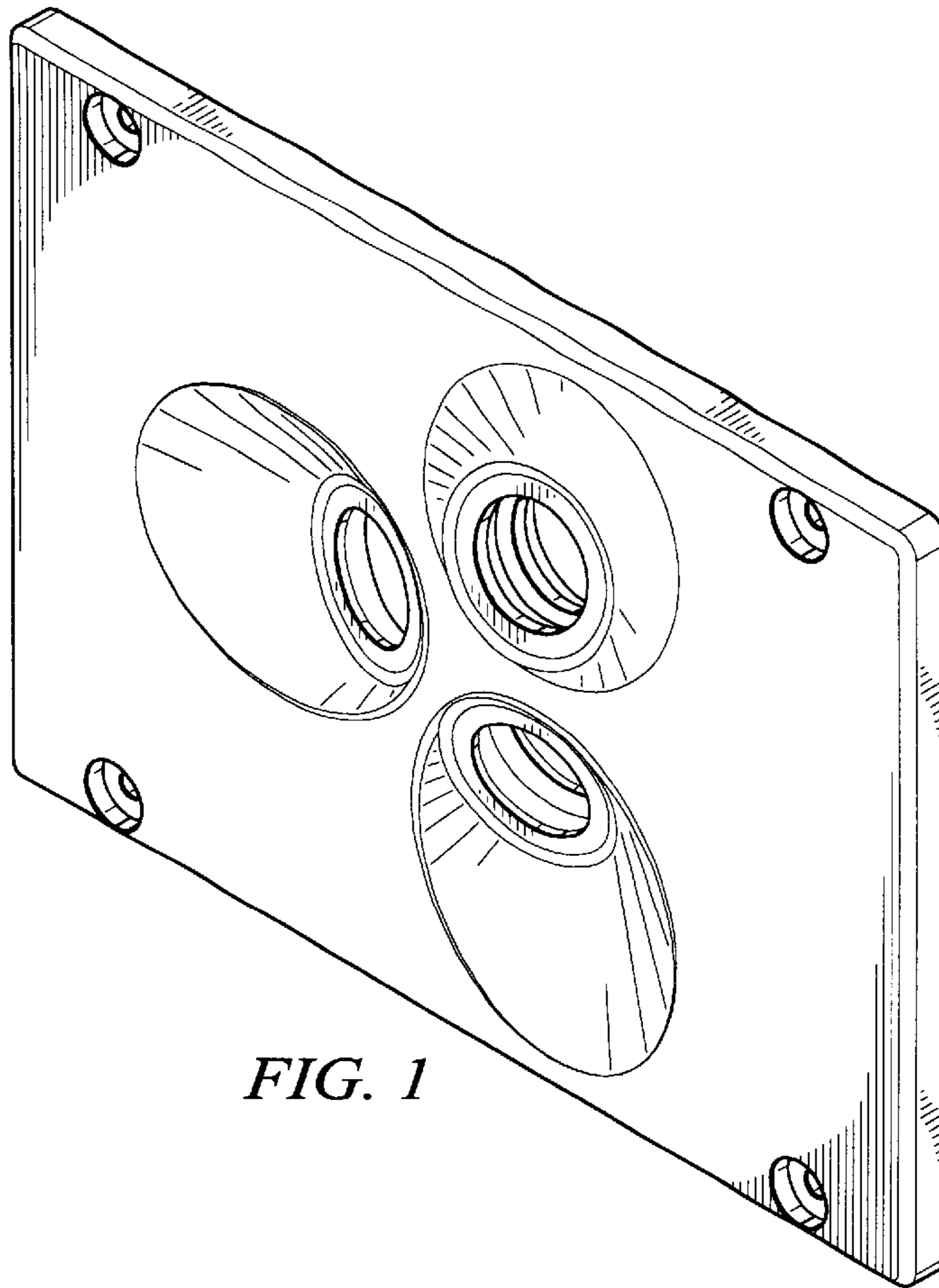


FIG. 1

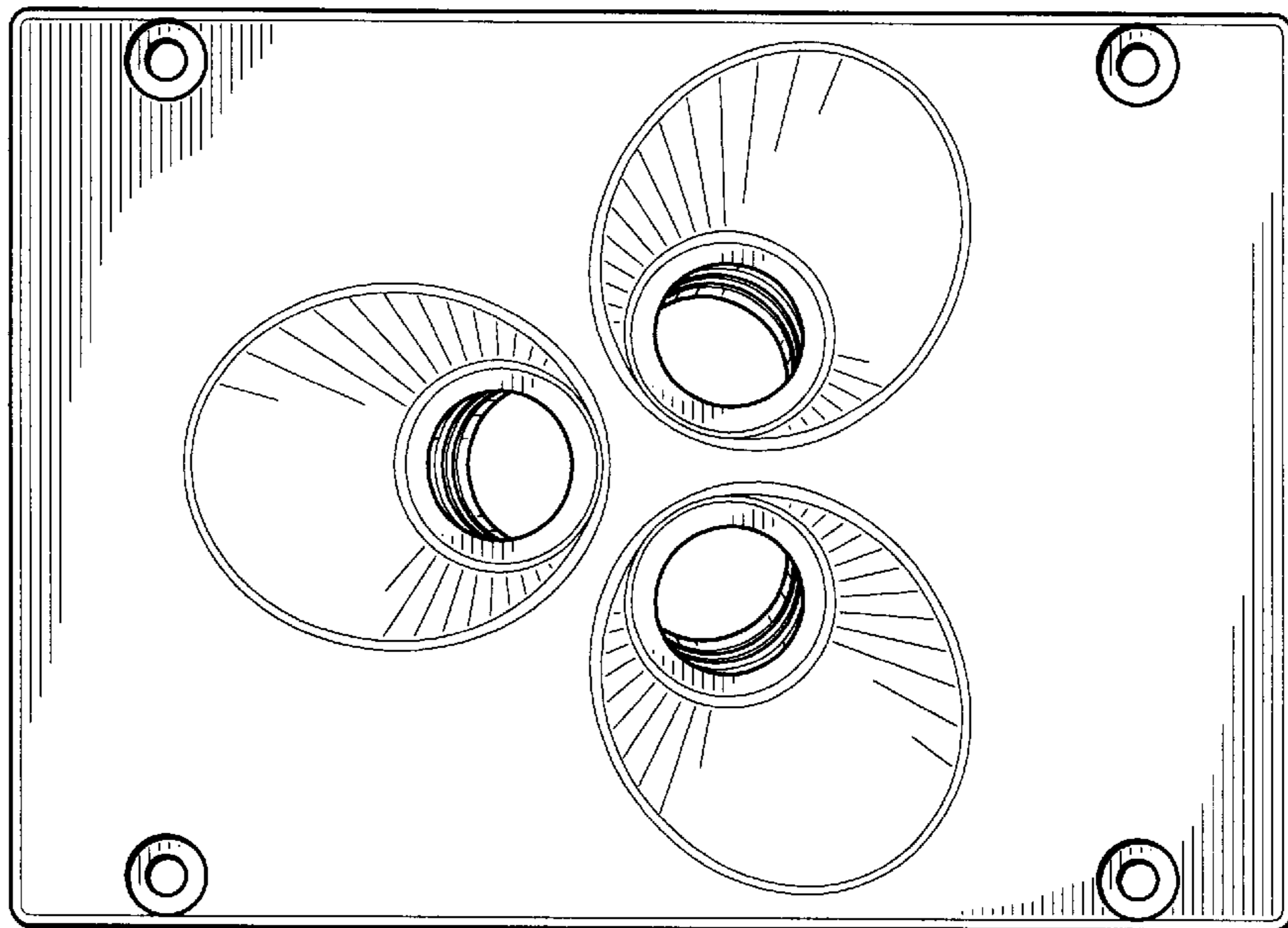


FIG. 2

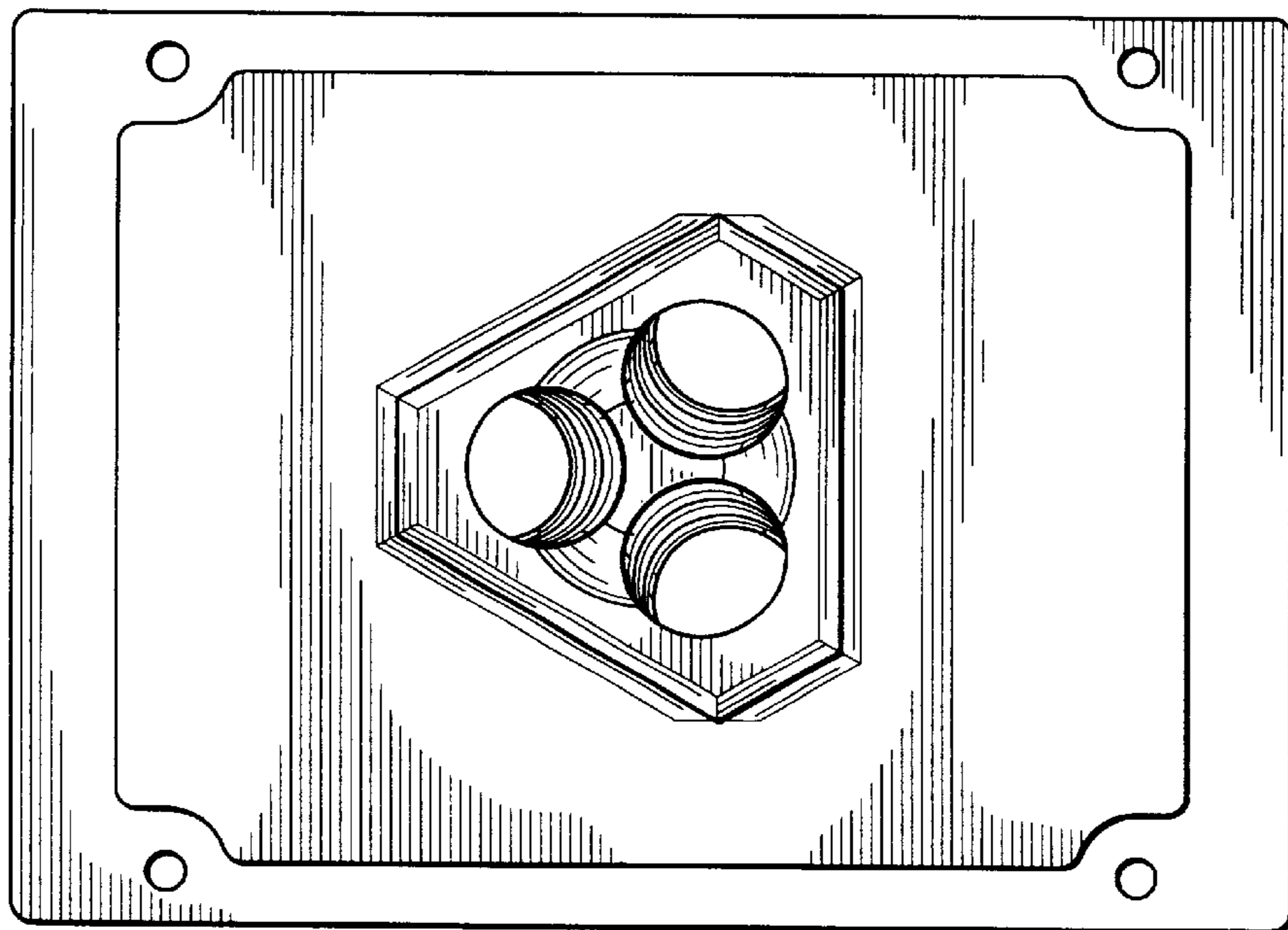
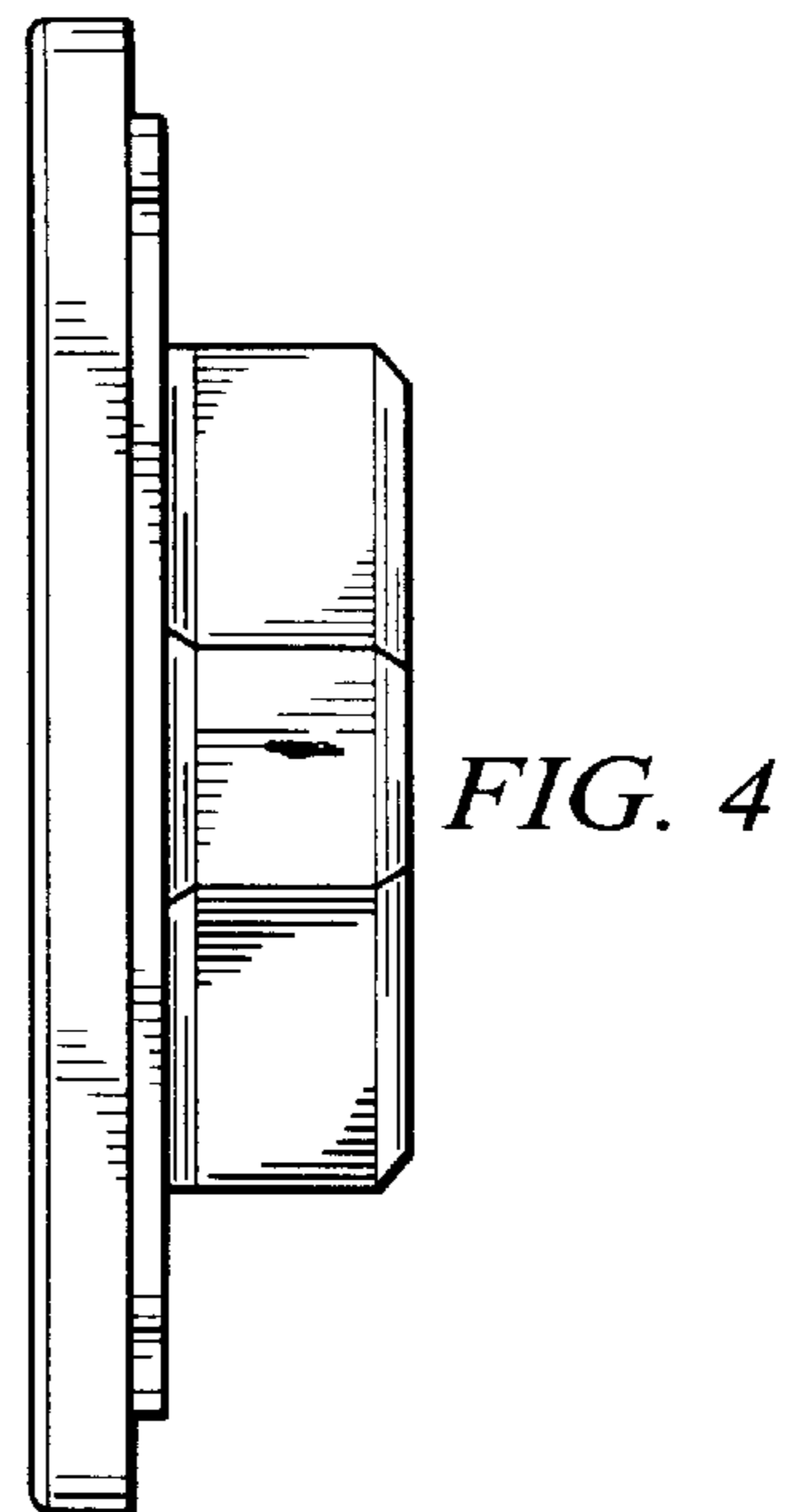
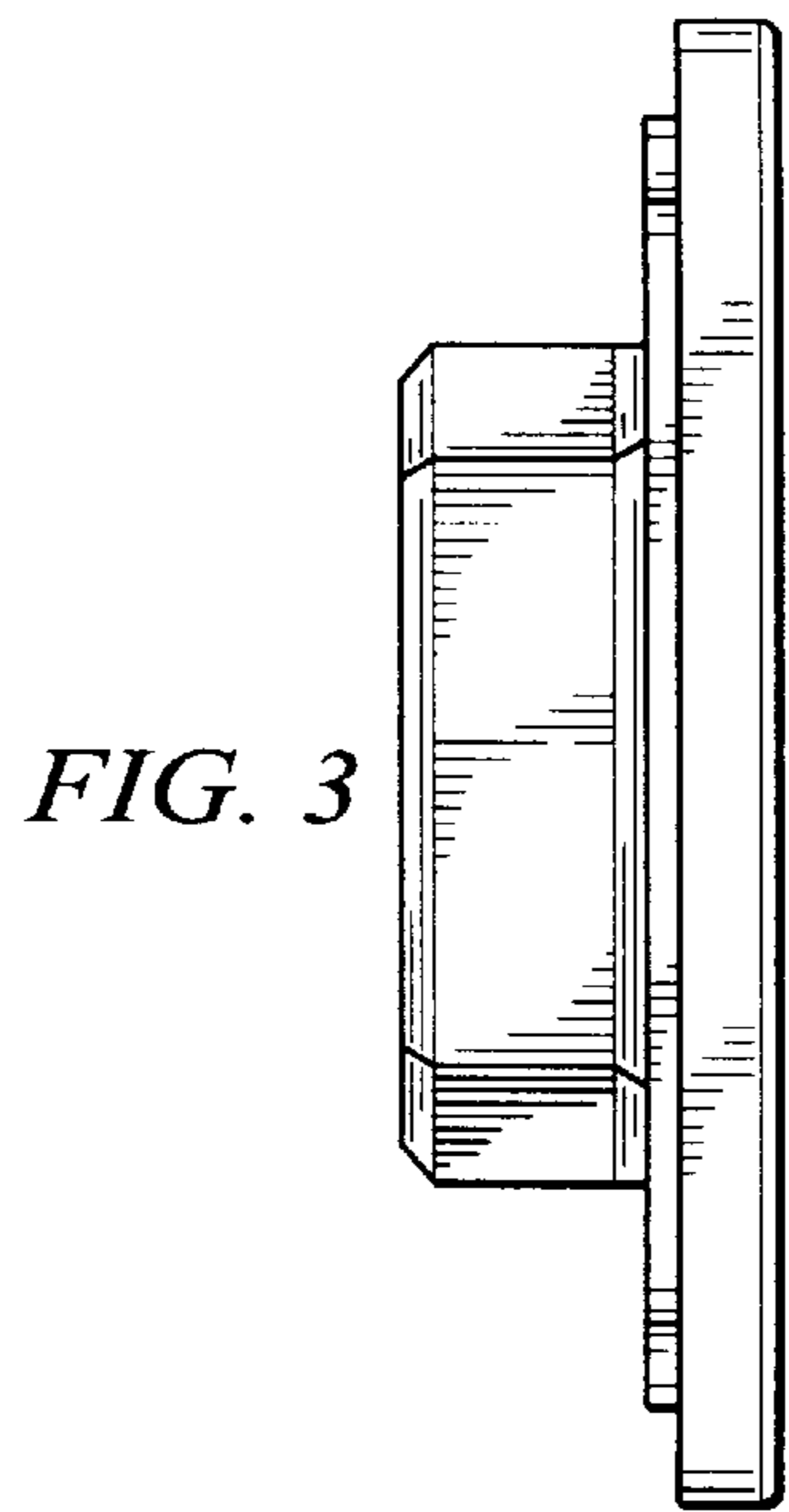


FIG. 5



FIG. 6

UNITED STATES PATENT AND TRADEMARK OFFICE  
**CERTIFICATE OF CORRECTION**

PATENT NO. : Des. 510,313 S  
APPLICATION NO. : 29/218591  
DATED : October 4, 2005  
INVENTOR(S) : Jones et al.

Page 1 of 1

It is certified that error appears in the above-identified patent and that said Letters Patent is hereby corrected as shown below:

On the title page (74) delete "LBJ Technologies, L.L.C." and insert therefore --LJC Technologies, L.L.C.--.

Signed and Sealed this

Thirty-first Day of October, 2006

A handwritten signature in black ink on a dotted background. The signature reads "Jon W. Dudas" in a cursive style.

JON W. DUDAS

*Director of the United States Patent and Trademark Office*