



US00D510307S

(12) **United States Design Patent** (10) **Patent No.:** **US D510,307 S**
Howes (45) **Date of Patent:** **** Oct. 4, 2005**

(54) **FRONT FACE OF A VEHICLE WHEEL**

(75) **Inventor:** **Ian Howes, Garching (DE)**

(73) **Assignee:** **Bayerische Motoren Werke Aktiengesellschaft, Munich (DE)**

(**) **Term:** **14 Years**

(21) **Appl. No.:** **29/182,332**

(22) **Filed:** **May 27, 2003**

(30) **Foreign Application Priority Data**

Nov. 25, 2002 (DE) 4 02 09 836

(51) **LOC (8) Cl.** **12-16**

(52) **U.S. Cl.** **D12/209**

(58) **Field of Search** D12/204-213;
301/37.101, 64.101, 65

(56) **References Cited**

U.S. PATENT DOCUMENTS

- D84,319 S * 6/1931 Beutke et al. D12/209
- D316,073 S * 4/1991 Koch D12/211
- D376,572 S * 12/1996 Pfeiffer D12/209
- D401,899 S * 12/1998 Pfeiffer D12/209
- D408,776 S * 4/1999 Sacco et al. D12/209
- D454,531 S * 3/2002 Amatino D12/211

- D455,692 S * 4/2002 Iguchi et al. D12/209
- D471,144 S * 3/2003 Pfeiffer D12/209
- D476,284 S * 6/2003 Pfeiffer et al. D12/211
- D488,760 S * 4/2004 Kato D12/209
- D494,120 S * 8/2004 Pfeiffer D12/209
- D496,315 S * 9/2004 Pfeiffer et al. D12/209

FOREIGN PATENT DOCUMENTS

- JP 928188 6/1995
- WO DM/042788 3/1998
- WO DM/045560 12/1998

* cited by examiner

Primary Examiner—Stacia Cadmus

(74) *Attorney, Agent, or Firm*—Crowell & Moring LLP

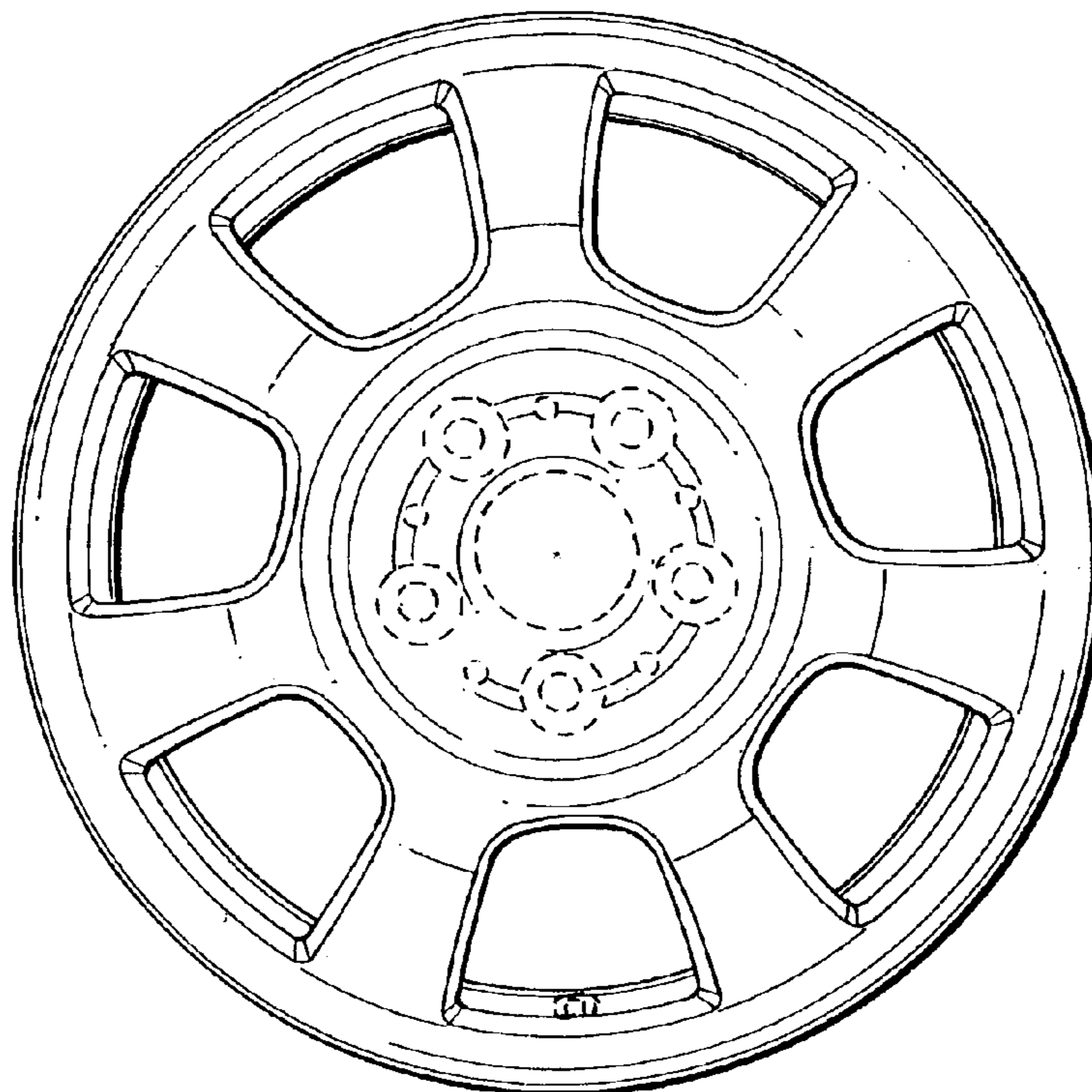
(57) **CLAIM**

The ornamental design for a front face of a vehicle wheel, as shown and described.

DESCRIPTION

FIG. 1 is a front view of a front face of a vehicle wheel according to my novel design; and,
 FIG. 2 is a perspective view of the front face of a vehicle wheel according to my novel design.
 The broken lines are for illustrative purposes only and form no part of the claimed design.

1 Claim, 1 Drawing Sheet



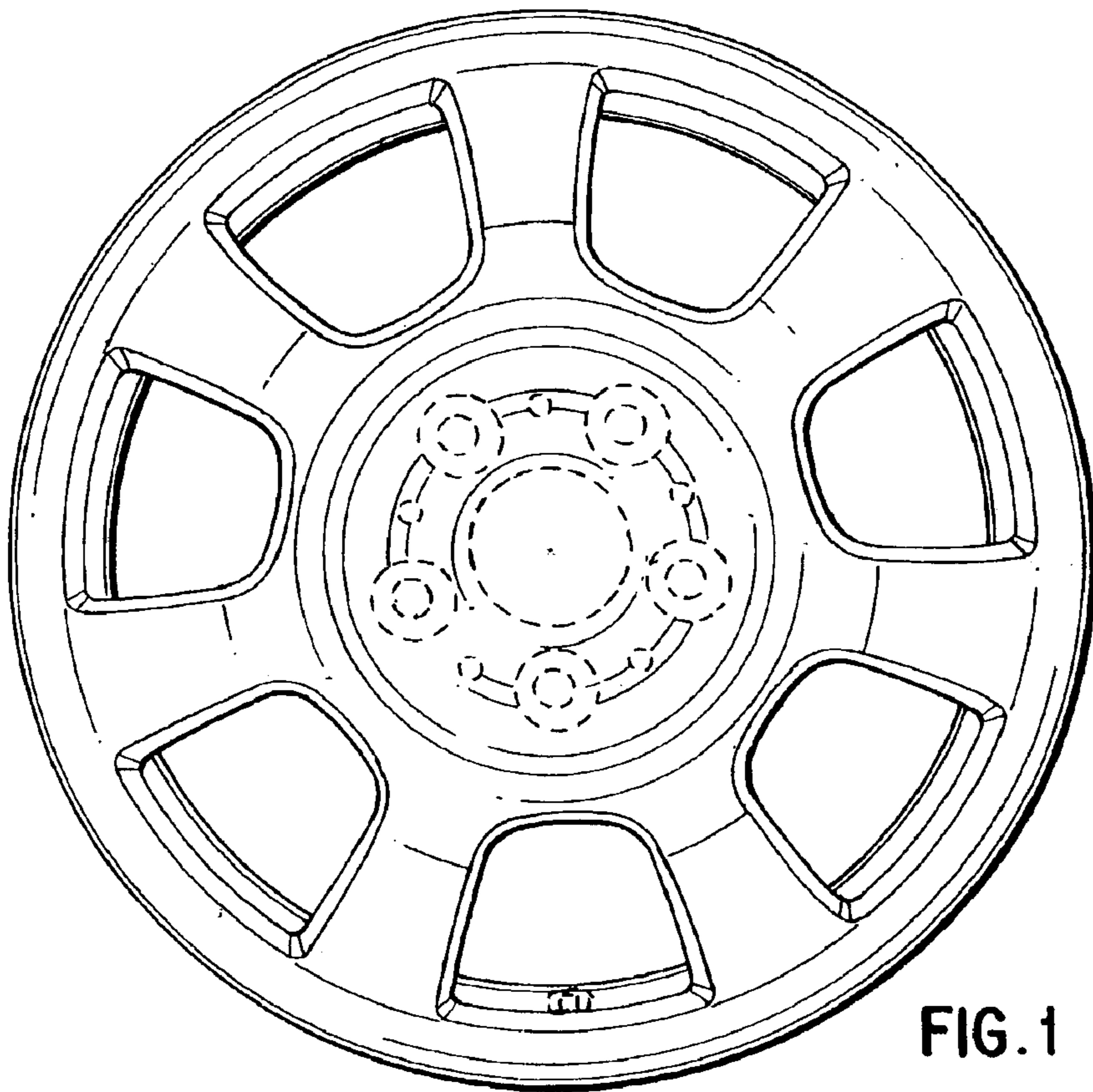


FIG. 1

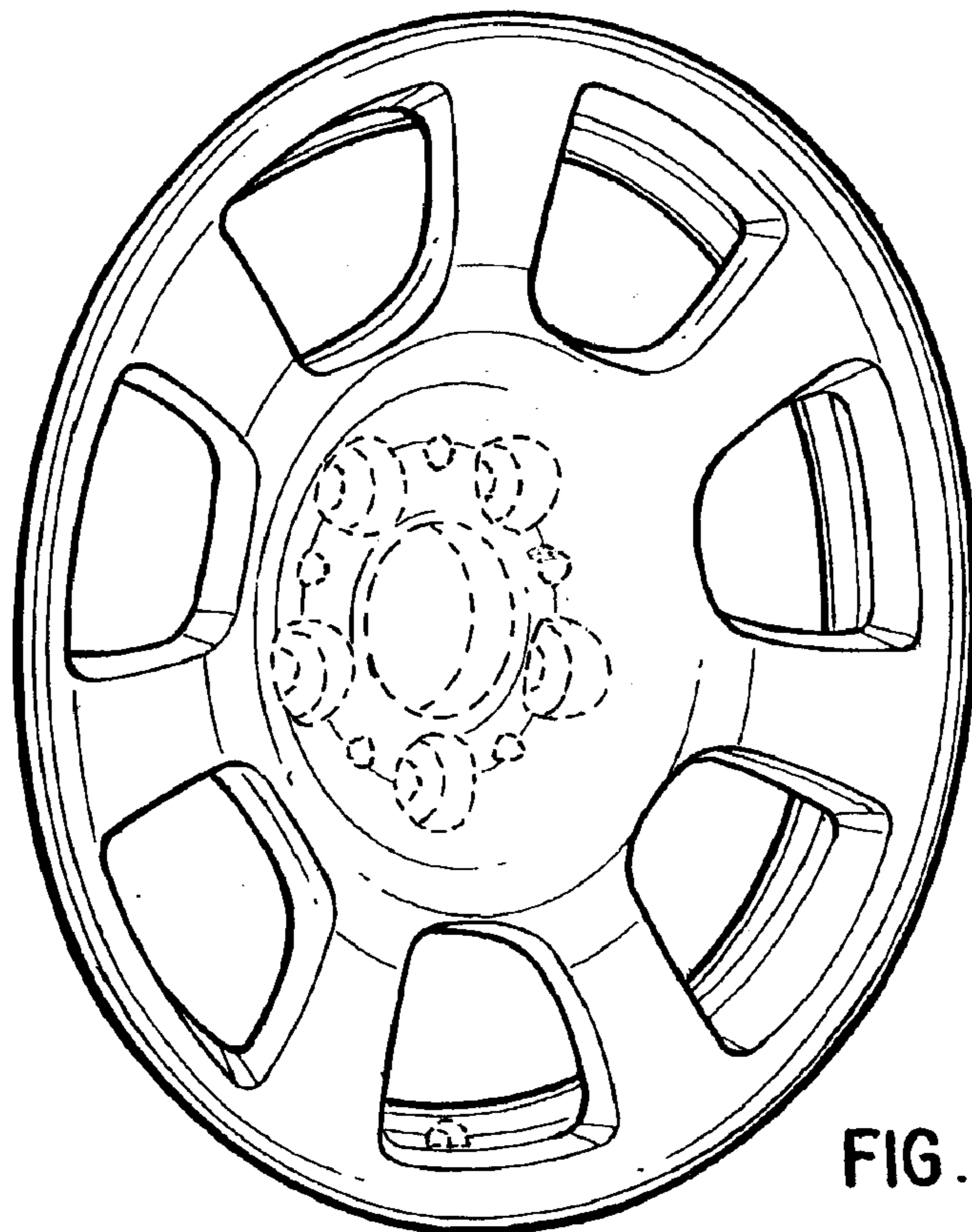


FIG. 2