



US00D510289S

(12) **United States Design Patent** (10) **Patent No.:** **US D510,289 S**
Dueker et al. (45) **Date of Patent:** **** Oct. 4, 2005**

(54) **ILLUMINATED SIGNALING DEVICE**

(75) Inventors: **Kenneth S. Dueker**, Atherton, CA (US); **Paul M. Hagelin**, Saratoga, CA (US); **Troy J. Edwards**, Campbell, CA (US); **Russell E. Tavernetti**, San Carlos, CA (US)

(73) Assignee: **PowerFlare Corporation**, Menlo Park, CA (US)

(**) Term: **14 Years**

(21) Appl. No.: **29/190,129**

(22) Filed: **Sep. 15, 2003**

(51) **LOC (8) Cl.** **10-07**

(52) **U.S. Cl.** **D10/111; D10/109**

(58) **Field of Search** D10/114, 113, D10/109, 115; D26/39; 340/815, 432, 908.1, 815.03, 760-761, 767, 782, 471, 473; 315/174, 200 A; 362/157, 800

(56) **References Cited**

U.S. PATENT DOCUMENTS

1,480,037 A *	1/1924	Wyatt	362/153.1
D64,554 S *	4/1924	Parizek	D26/104
1,518,678 A *	12/1924	Sovereign	362/153.1
D102,931 S *	1/1937	Signor	D10/114
2,987,702 A *	6/1961	Yohe	340/473
4,759,735 A *	7/1988	Pagnol et al.	441/16
5,175,528 A *	12/1992	Choi et al.	340/331
5,313,188 A *	5/1994	Choi et al.	340/331
D349,466 S *	8/1994	Chang	D10/114
D352,915 S *	11/1994	Wang	D10/114
D360,156 S *	7/1995	Fenne	D10/106

D362,920 S *	10/1995	Schwartz	D26/39
5,556,189 A *	9/1996	Wallis	362/153.1
5,785,210 A *	7/1998	Amberg et al.	222/229
5,785,410 A *	7/1998	Branson, Sr.	362/153.1
D420,302 S	2/2000	Barnhart	D10/113
6,623,150 B2 *	9/2003	Roller et al.	362/520
6,648,495 B1 *	11/2003	Hsu	362/545
D492,052 S *	6/2004	Schnell	D26/39
6,752,515 B2 *	6/2004	Evans et al.	362/184

OTHER PUBLICATIONS

“Trek® Disco Inferno Tail Light,” www.trekbikes.com, 1 pg.
Turboflare—Products and Technical Specifications, 3 pages.
“More than Just a Road Marker Lanelight,” www.swarco.com, 1 page.
“Low Profile Signal Head,” www.crosswalks.com, 1 pg.

* cited by examiner

Primary Examiner—Nelson C. Holtje
(74) *Attorney, Agent, or Firm*—Sawyer Law Group LLP

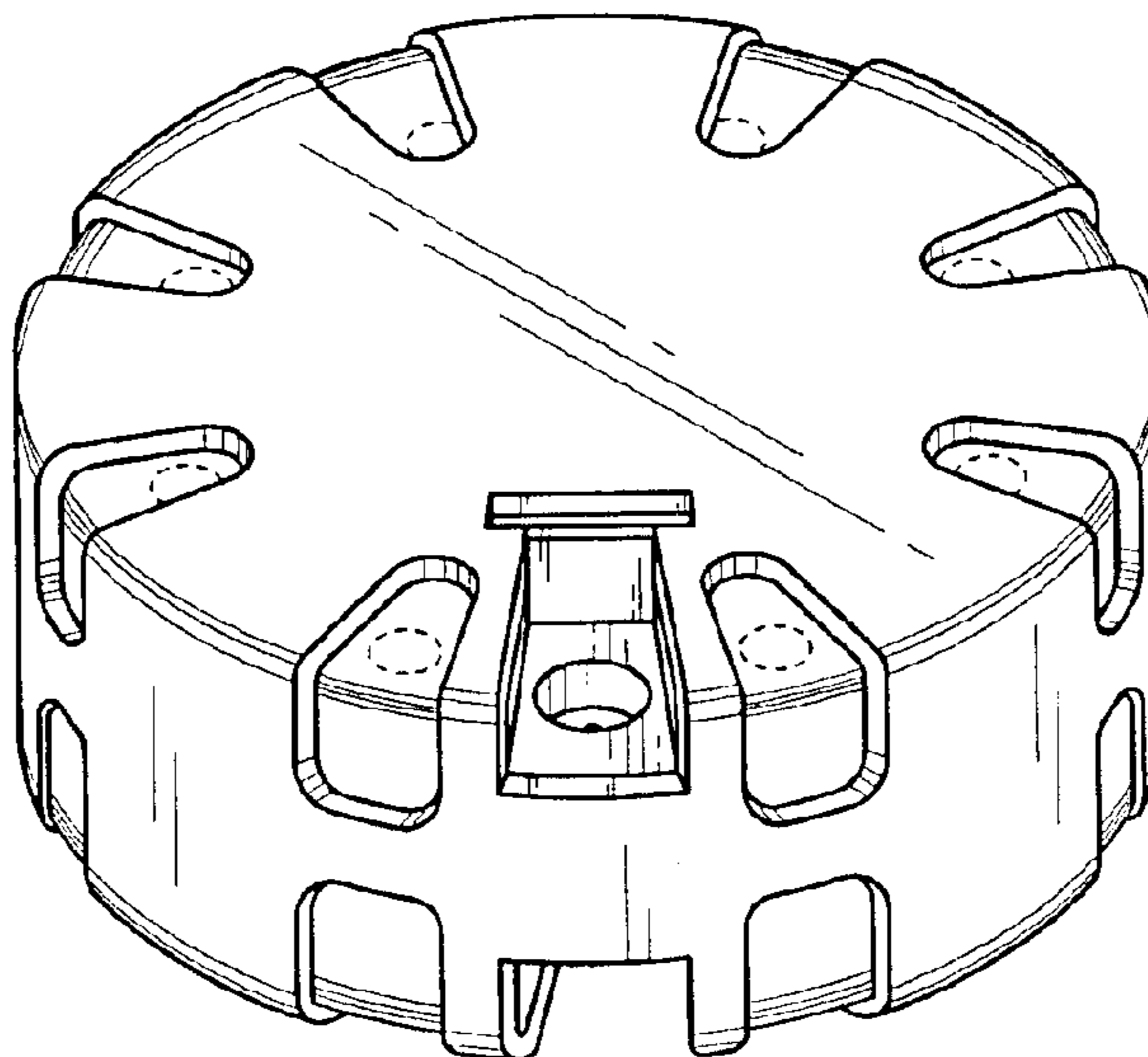
(57) **CLAIM**

The ornamental design for an illuminated signaling device, as shown.

DESCRIPTION

FIG. 1 is an isometric view of the embodiment.
FIG. 2 is a top view of the embodiment.
FIG. 3 is a bottom view of the embodiment.
FIG. 4 is a front view of the embodiment.
FIG. 5 is a left view of the embodiment.
FIG. 6 is a right view of the embodiment; and,
FIG. 7 is a back view of the embodiment.

1 Claim, 3 Drawing Sheets



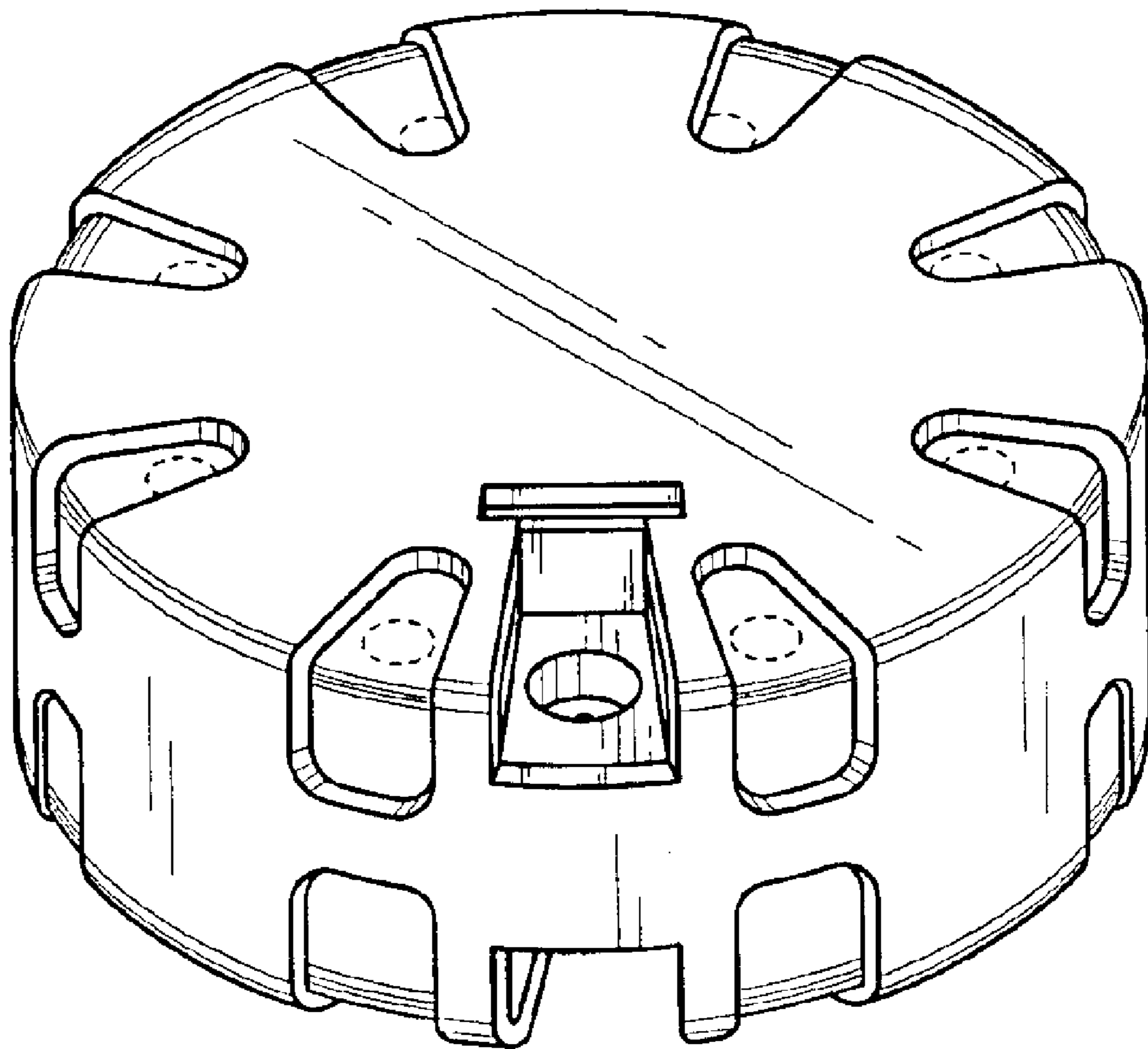


FIG. 1

FIG. 2

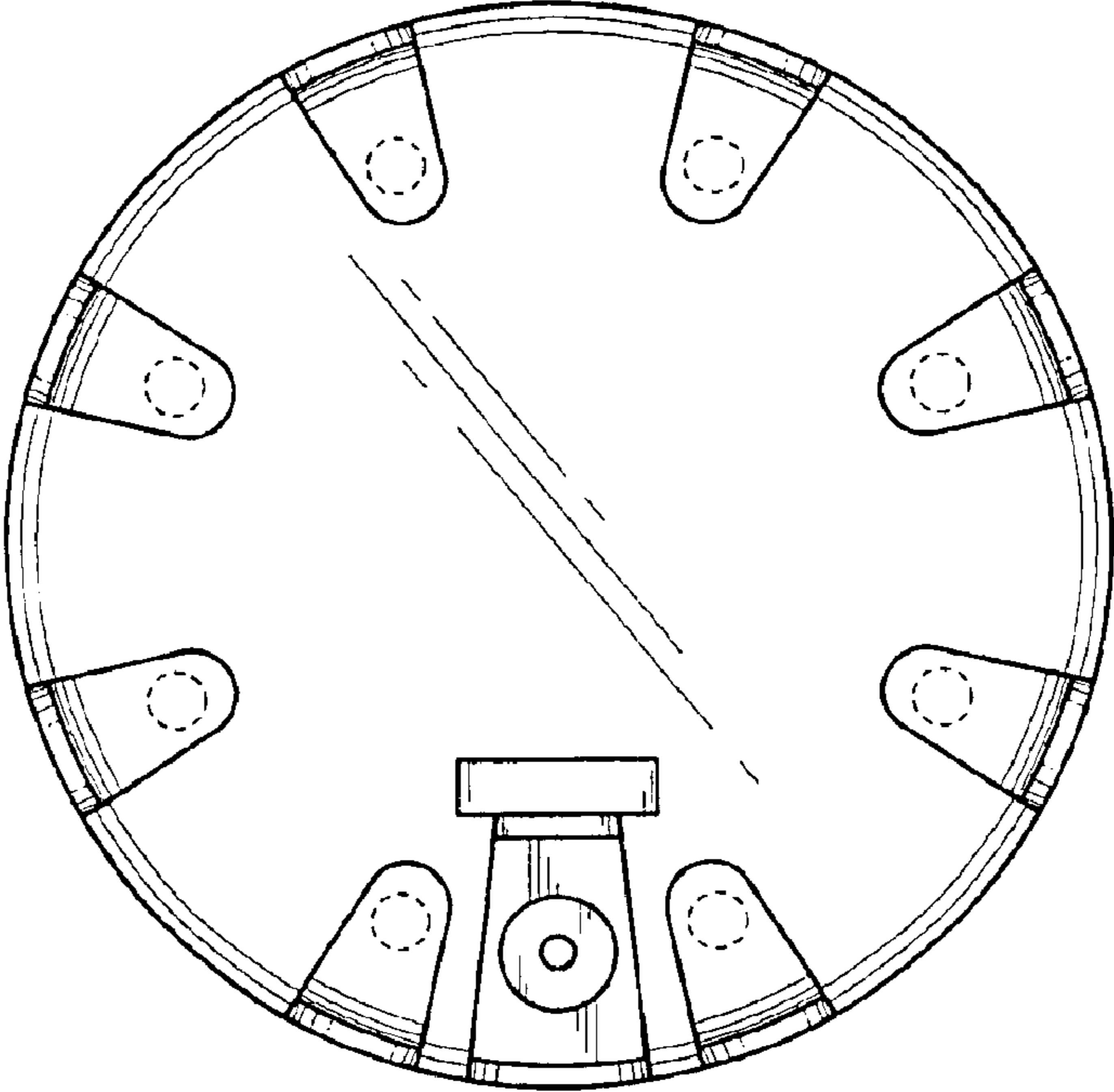


FIG. 3

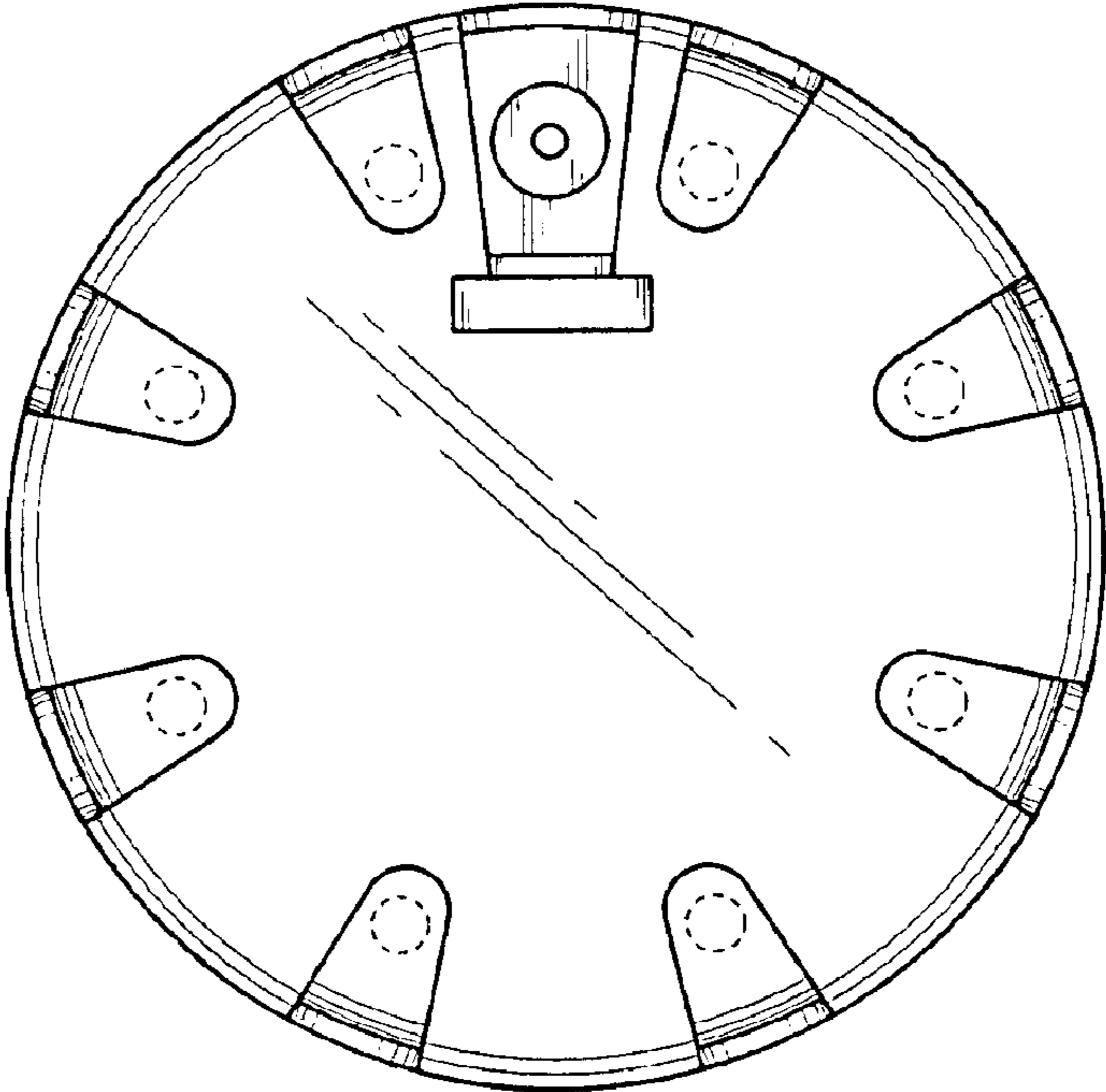


FIG. 4

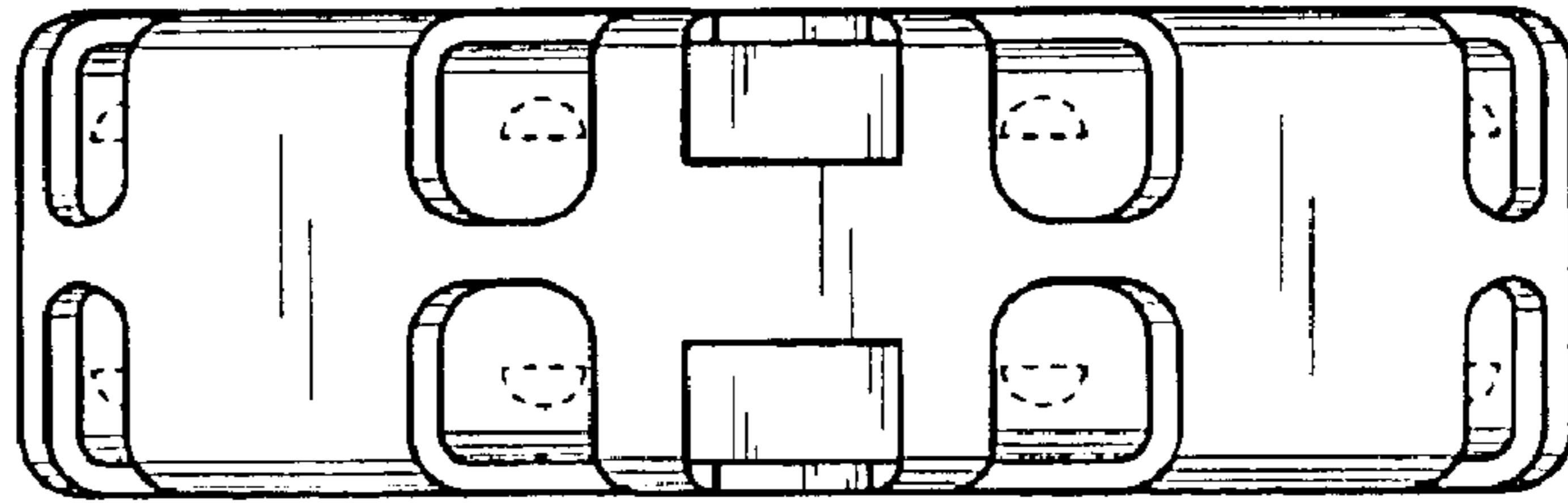


FIG. 5

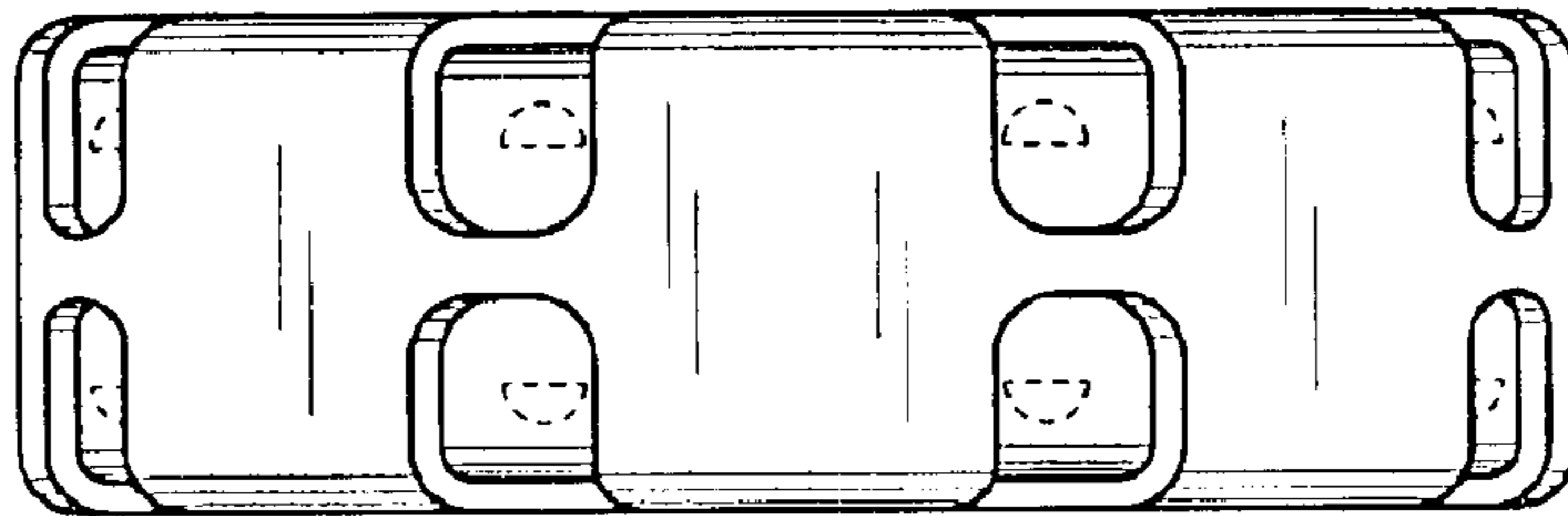


FIG. 6

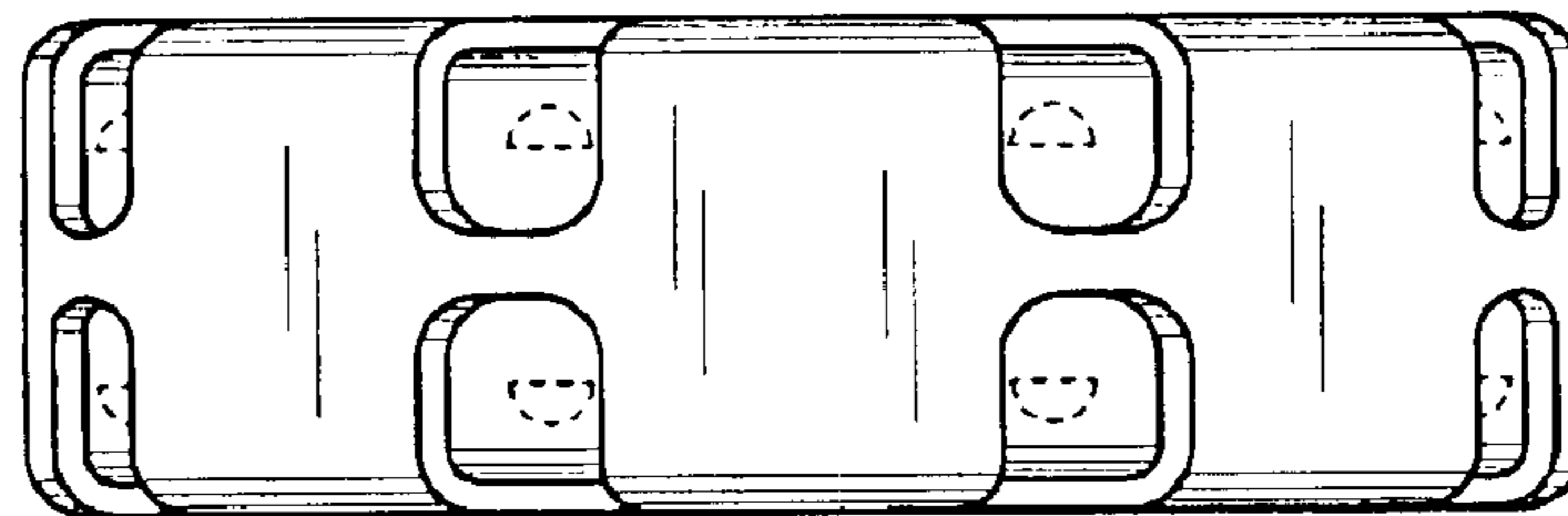


FIG. 7

