



US00D510287S

(12) **United States Design Patent**  
**Chen et al.**

(10) **Patent No.: US D510,287 S**  
(45) **Date of Patent: \*\* Oct. 4, 2005**

(54) **METER DESIGN**

(75) Inventors: **Ieon Chen**, Laguna Hills, CA (US);  
**John J. Protti**, Long Beach, CA (US)

(73) Assignee: **Innova Electronics Corporation**,  
Fountain Valley, CA (US)

(\*\*) Term: **14 Years**

(21) Appl. No.: **29/200,338**

(22) Filed: **Feb. 26, 2004**

(51) **LOC (8) Cl.** ..... **10-04**

(52) **U.S. Cl.** ..... **D10/78**

(58) **Field of Search** ..... D10/78; 73/658;  
324/72.5, 115, 149, 379-403

(56) **References Cited**

**U.S. PATENT DOCUMENTS**

D349,860 S	*	8/1994	Omuro et al.	.....	D10/78
5,497,092 A	*	3/1996	Kaszanics	.....	324/402
5,617,018 A	*	4/1997	Earle	.....	324/72.5
D414,124 S	*	9/1999	Yang	.....	D10/78
D446,734 S	*	8/2001	Kuramoto	.....	D10/78

6,392,402 B1	*	5/2002	Swift	.....	324/115
D458,551 S	*	6/2002	Malawista	.....	D10/78
6,570,385 B1	*	5/2003	Roberts et al.	.....	324/378
D476,246 S	*	6/2003	Kuramoto et al.	.....	D10/78
6,832,521 B1	*	12/2004	Courtney et al.	.....	73/658

\* cited by examiner

*Primary Examiner*—Antoine D. Davis

(74) *Attorney, Agent, or Firm*—Stetina Brunda Garred & Brucker

(57) **CLAIM**

The ornamental design for a meter design, as shown and described.

**DESCRIPTION**

FIG. 1 is a perspective view of the invention engaged to a hand of a user;

FIG. 2 is a front view of the invention;

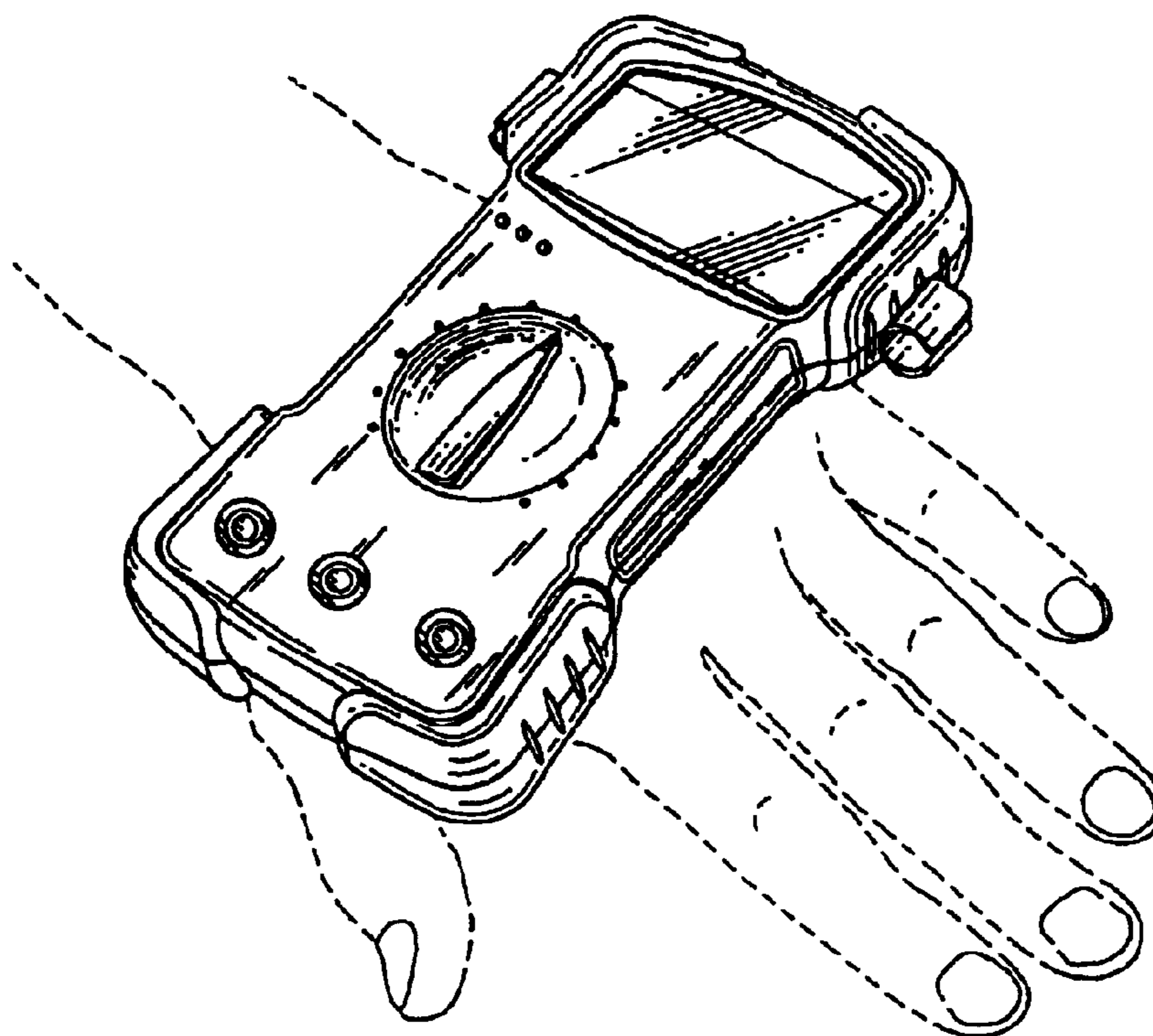
FIG. 3 is a rear view of the invention;

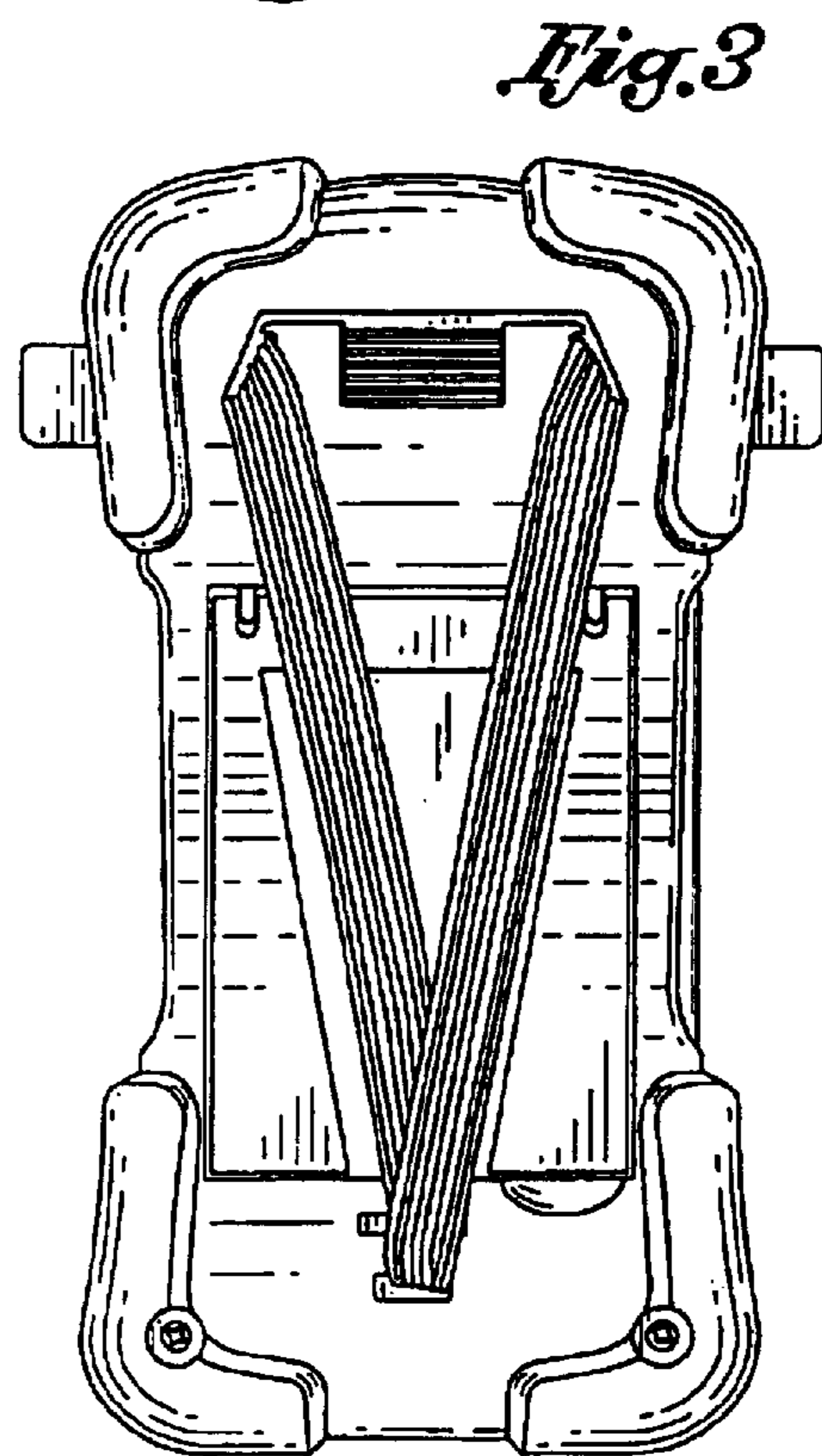
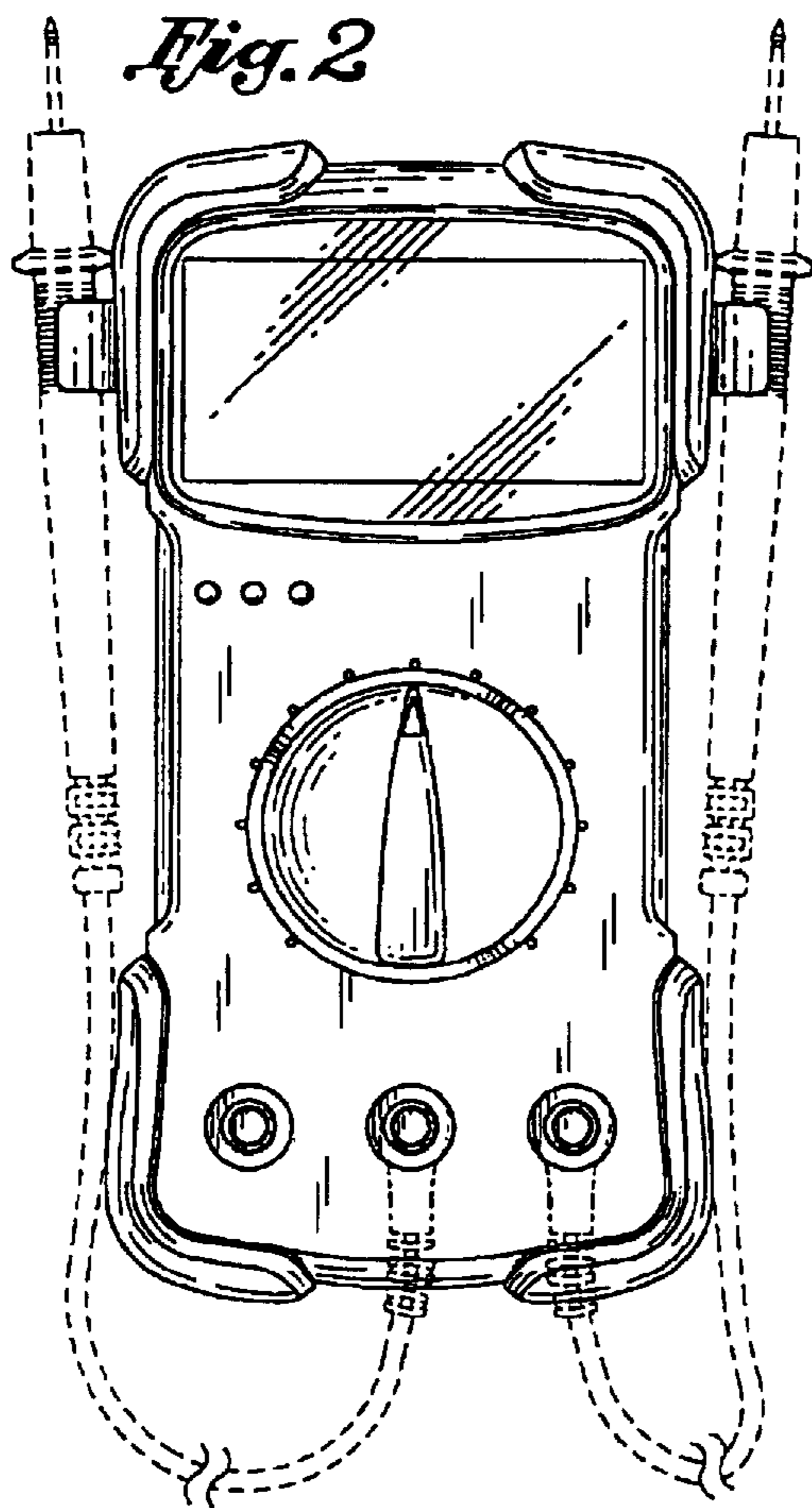
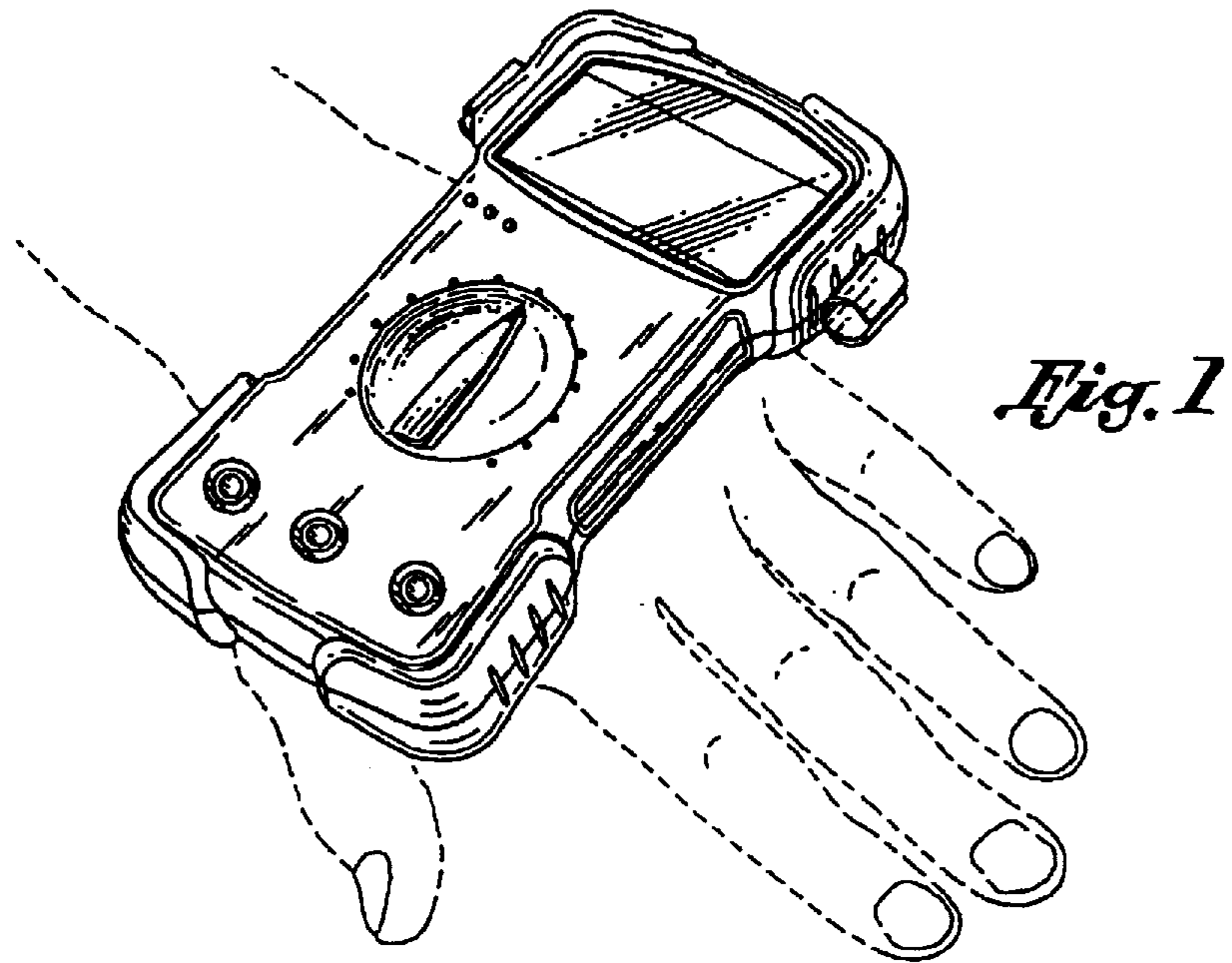
FIG. 4 is a first end view of the invention;

FIG. 5 is a side view of the invention; and,

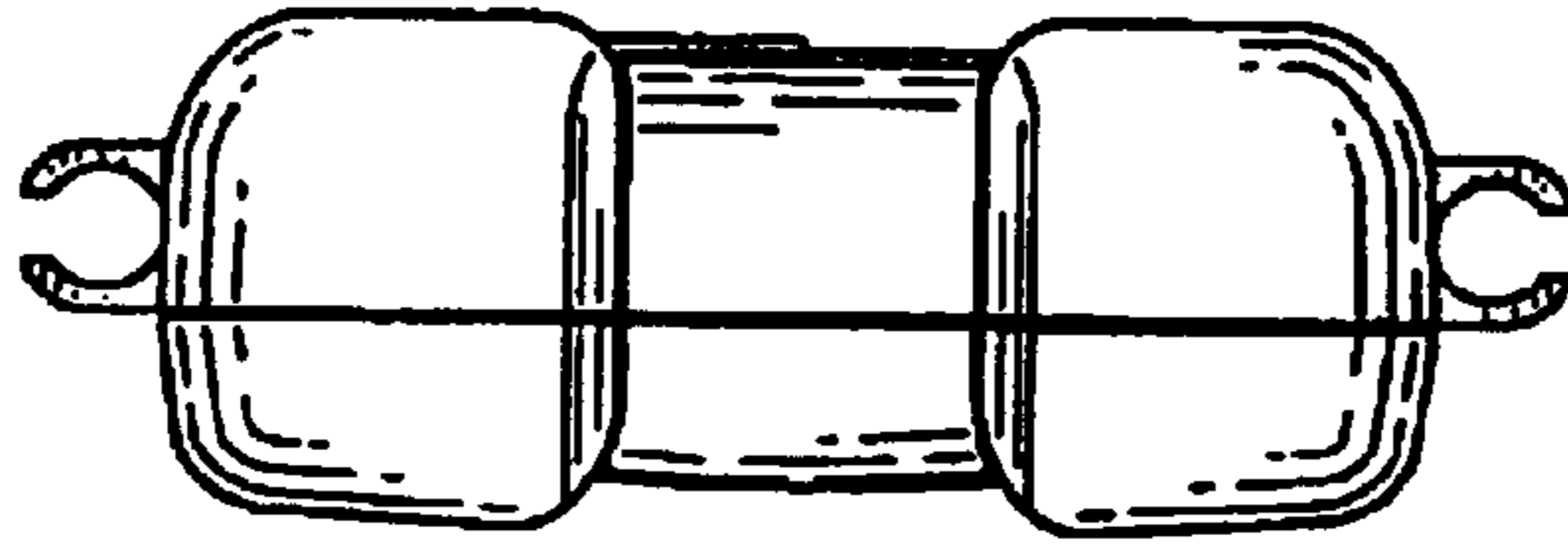
FIG. 6 is a second end view of the invention.

**1 Claim, 2 Drawing Sheets**

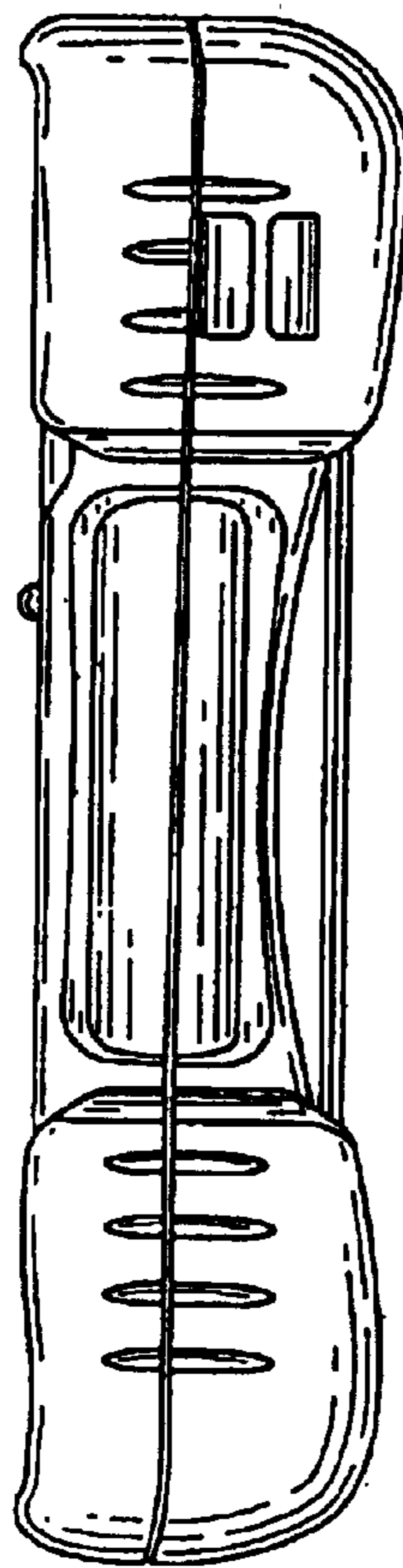




*Fig. 4*



*Fig. 5*



*Fig. 6*

