



US00D510285S

(12) **United States Design Patent** (10) **Patent No.:** **US D510,285 S**  
**Skelton et al.** (45) **Date of Patent:** **\*\* Oct. 4, 2005**

(54) **VEHICLE NAVIGATION DEVICE**

(75) Inventors: **Paul E. Skelton**, Overland Park, KS (US); **Dale R. Langner**, Olathe, KS (US); **Joshua C. Reeson**, Olathe, KS (US)

(73) Assignee: **Garmin Ltd.** (KY)

(\*\*) Term: **14 Years**

(21) Appl. No.: **29/219,340**

(22) Filed: **Dec. 15, 2004**

(51) **LOC (8) Cl.** ..... **10-04**

(52) **U.S. Cl.** ..... **D10/65**

(58) **Field of Search** ..... D10/65; 342/357.06, 342/357.09, 357.1, 357.13; 343/702; 701/206-209, 213-214

(56) **References Cited**

**U.S. PATENT DOCUMENTS**

- D295,840 S \* 5/1988 Sakai ..... D10/65
- D409,927 S \* 5/1999 Wieggers et al. .... D10/65
- D443,611 S \* 6/2001 Yang et al. .... D14/336
- D450,696 S \* 11/2001 Hasegawa et al. .... D14/371
- 6,833,851 B1 \* 12/2004 Brunk ..... 715/798

**OTHER PUBLICATIONS**

Front view of TomTom's Go product available at [http://www.tomtom.com/lib/img/prodimages/GO\\_straight2\\_US.jpg](http://www.tomtom.com/lib/img/prodimages/GO_straight2_US.jpg).

Mounted view of TomTom's Go product available at [http://www.tomtom.com/lib/img/prodimages/GO\\_mount\\_US.jpg](http://www.tomtom.com/lib/img/prodimages/GO_mount_US.jpg).

Perspective view of TomTom's Go product available at [http://www.tomtom.com/lib/img/prodimages/go\\_05.jpg](http://www.tomtom.com/lib/img/prodimages/go_05.jpg).

Rear view of TomTom's Go product available at [http://www.tomtom.com/lib/img/prodimages/go\\_06.jpg](http://www.tomtom.com/lib/img/prodimages/go_06.jpg).

Datasheet on TomTom's Go Product available at [http://www.tomtom.com/lib/doc/DTP\\_factsheet\\_USA.pdf](http://www.tomtom.com/lib/doc/DTP_factsheet_USA.pdf).

Front view of Garmin's StreetPilot product available at <http://www.garmin.com/products/sp2620/gallery/pt-sp2620Large01.jpg>.

Perspective view of Garmin's StreetPilot product available at <http://www.garmin.com/>.

Perspective view of Garmin's GPS V product available at <http://www.garmin.com/graphics/gpsVhoicBig.jpg>.

Datasheet on Garmin's Quest product, more images of which are available at <http://www.garmin.com>.

\* cited by examiner

*Primary Examiner*—Antoine D. Davis

(74) *Attorney, Agent, or Firm*—Devon A. Rolf

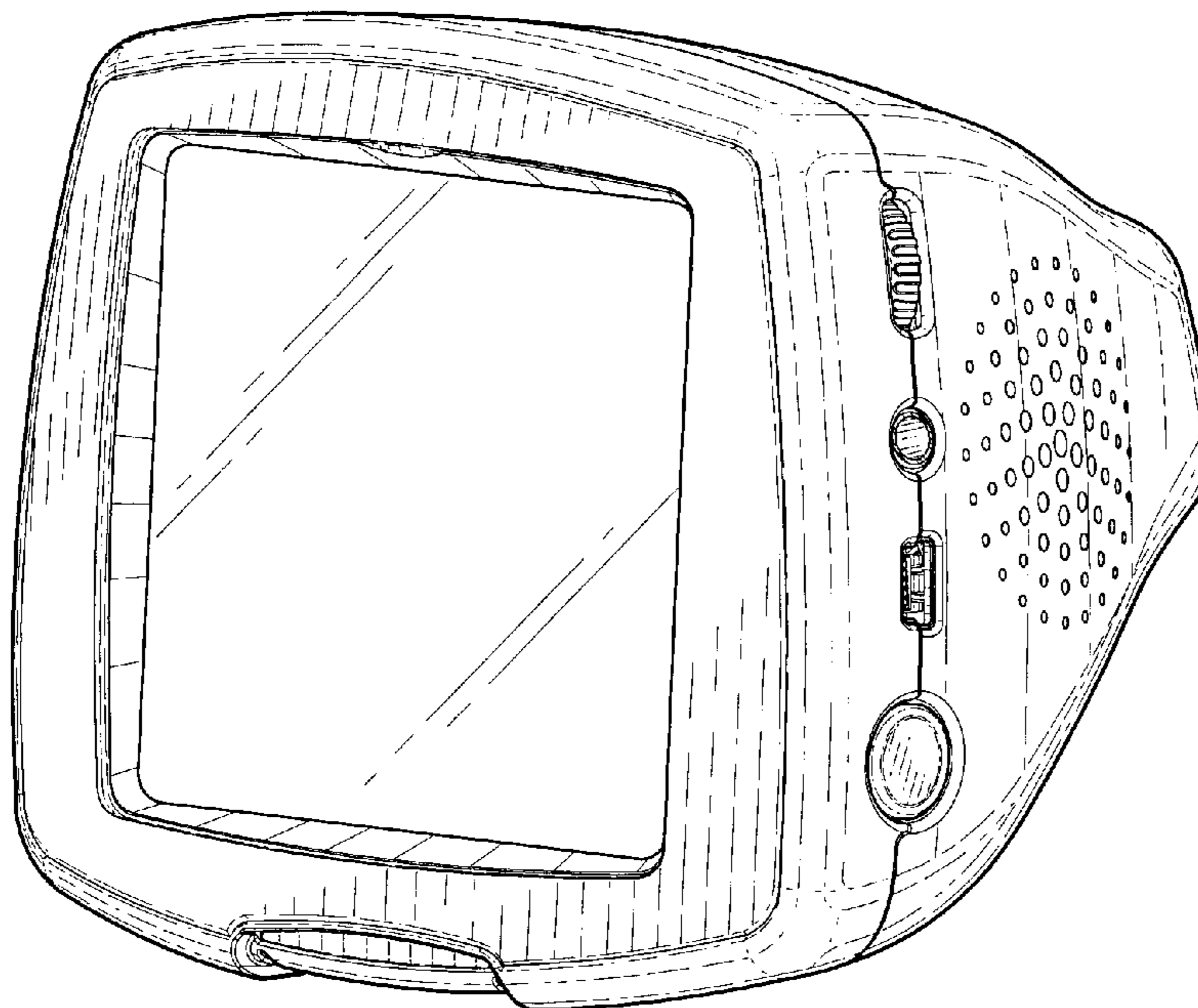
(57) **CLAIM**

The ornamental design for a vehicle navigation device, as shown and described.

**DESCRIPTION**

FIG. 1 is a right side frontal perspective view of a vehicle navigation device according to the present invention; FIG. 2 is a left side frontal perspective view thereof; FIG. 3 is a left side perspective view thereof; FIG. 4 is a front elevational view thereof; FIG. 5 is a top plan view thereof; FIG. 6 is a bottom plan view thereof; FIG. 7 is a left side elevational view thereof; and, FIG. 8 is a right side elevational view thereof.

**1 Claim, 4 Drawing Sheets**



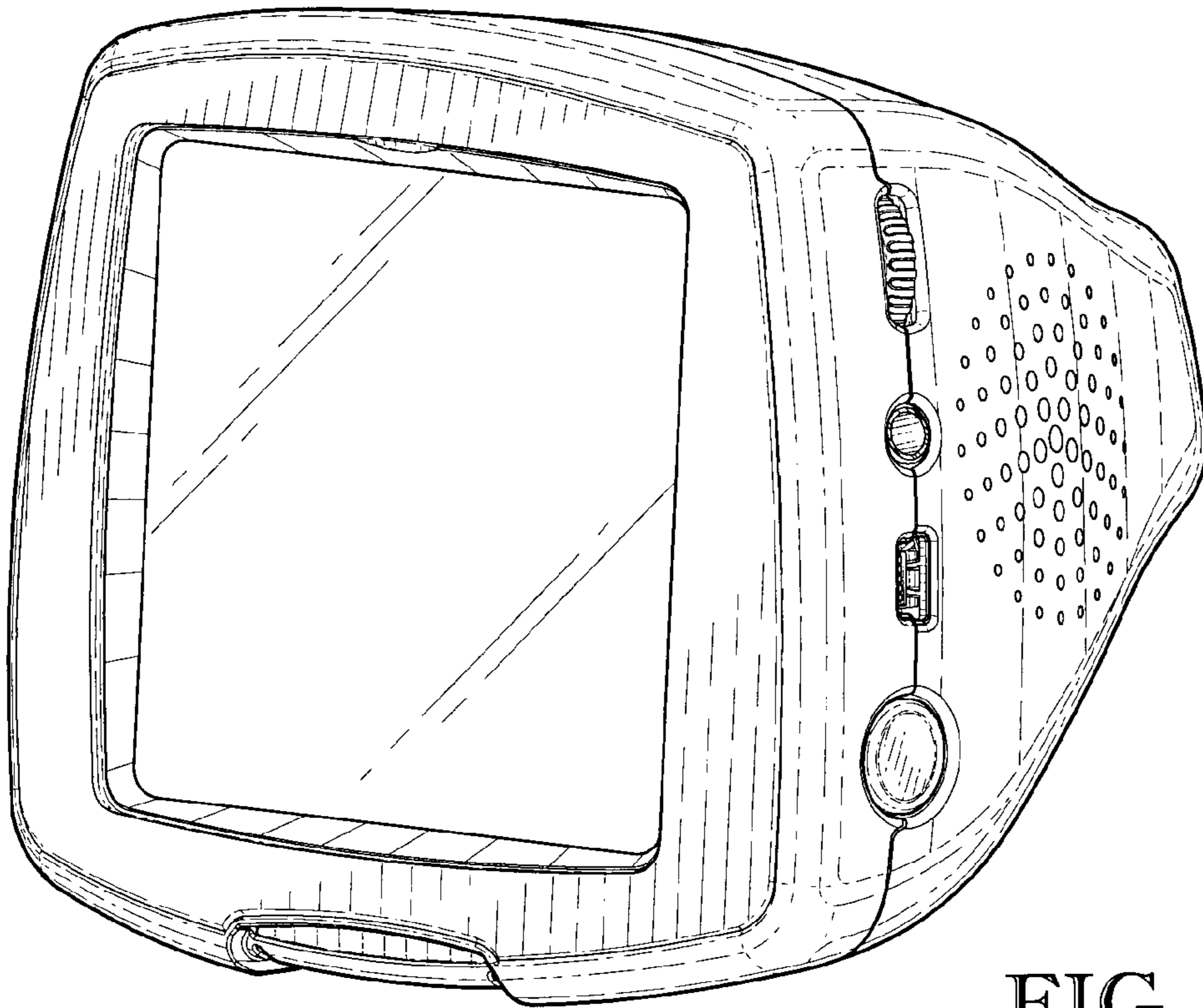


FIG. 1

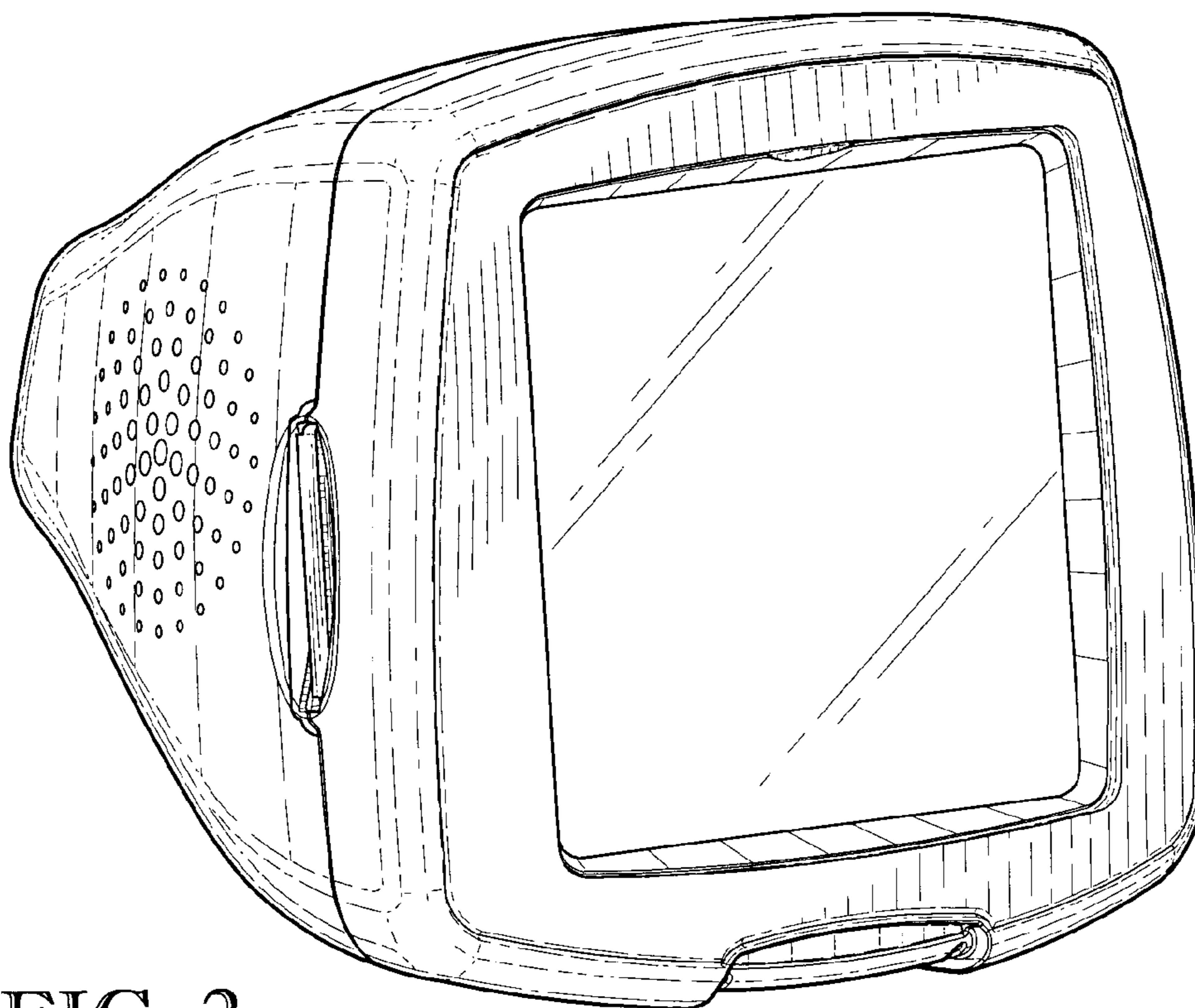


FIG. 2

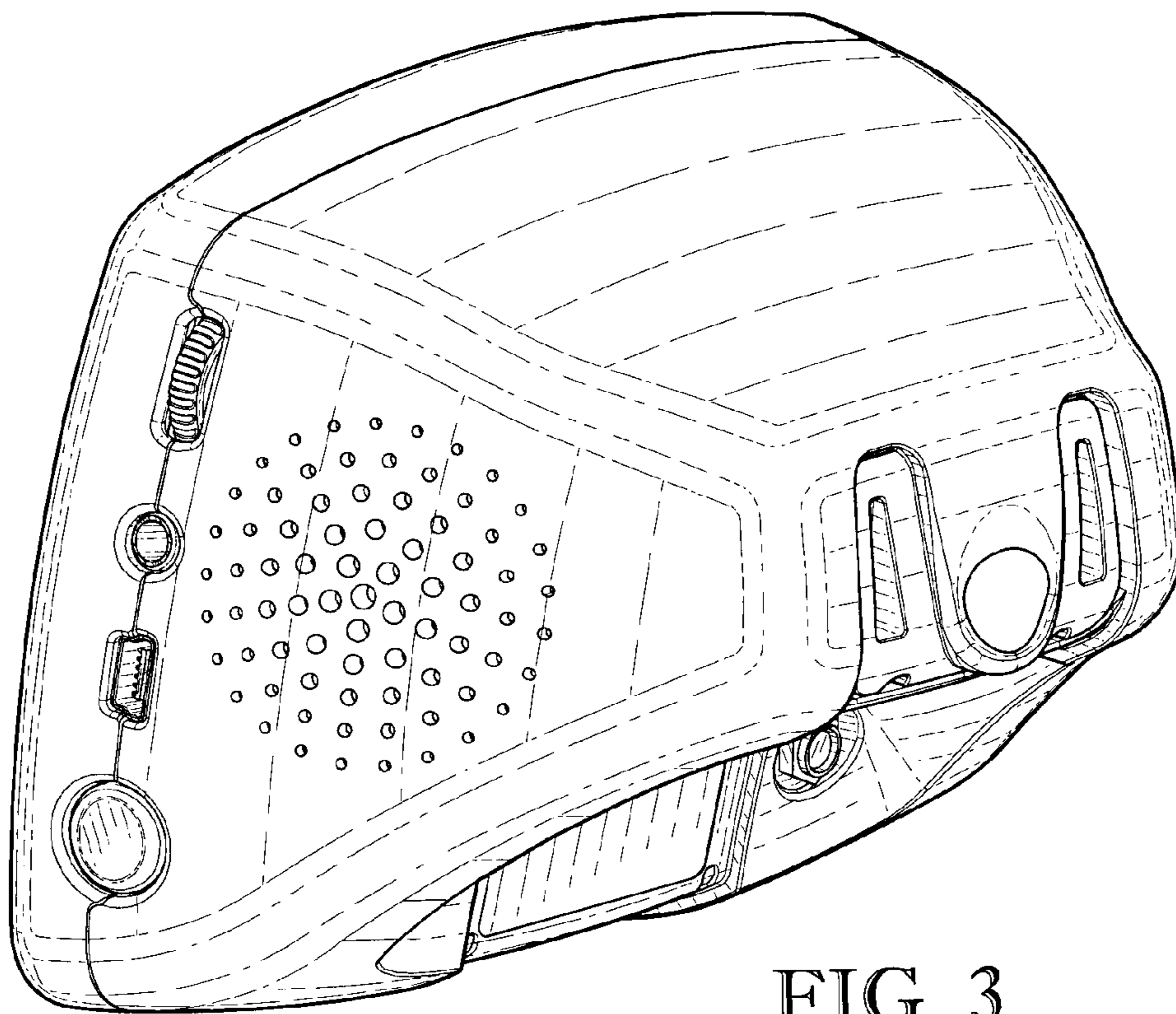


FIG. 3

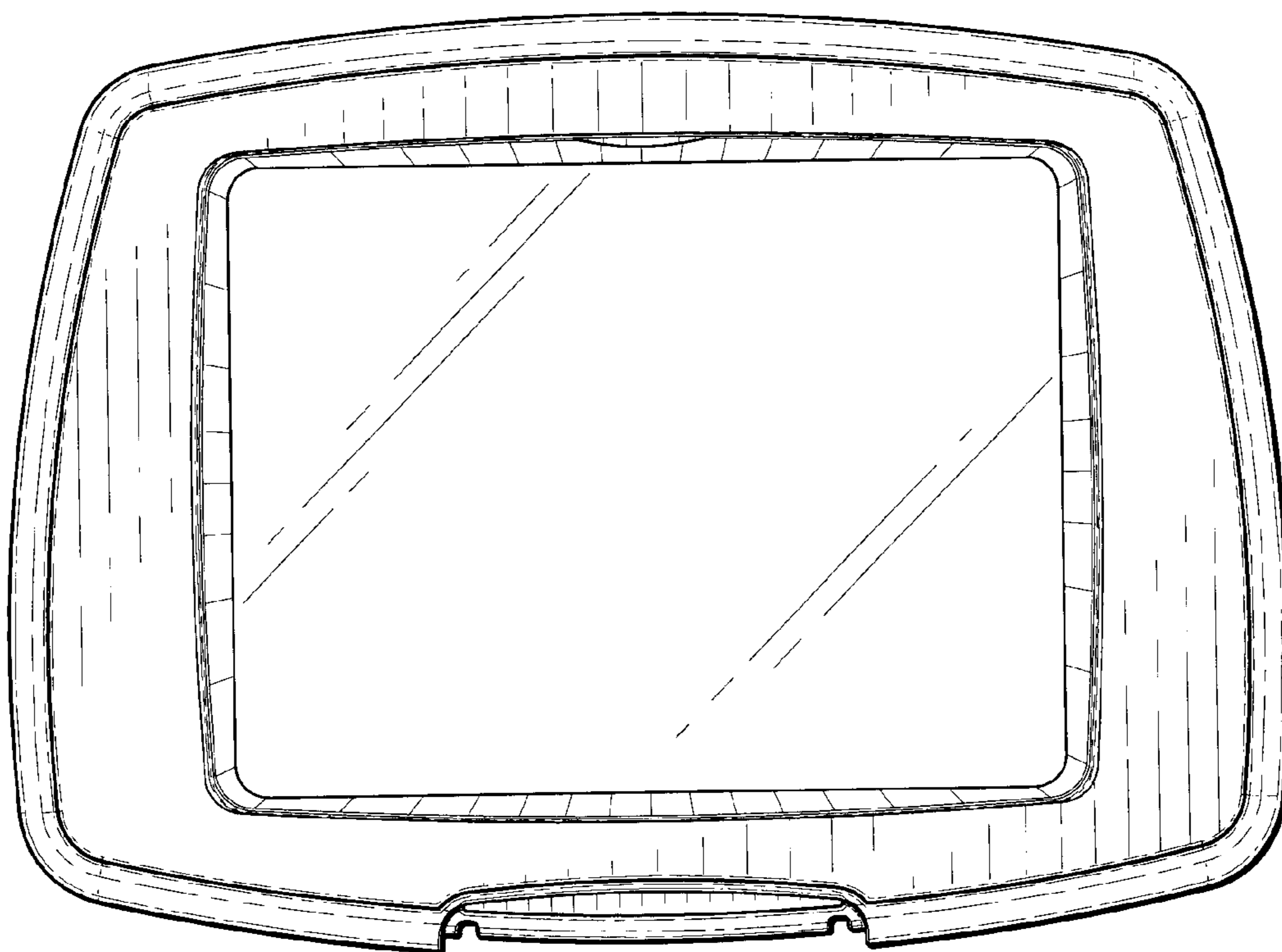


FIG. 4

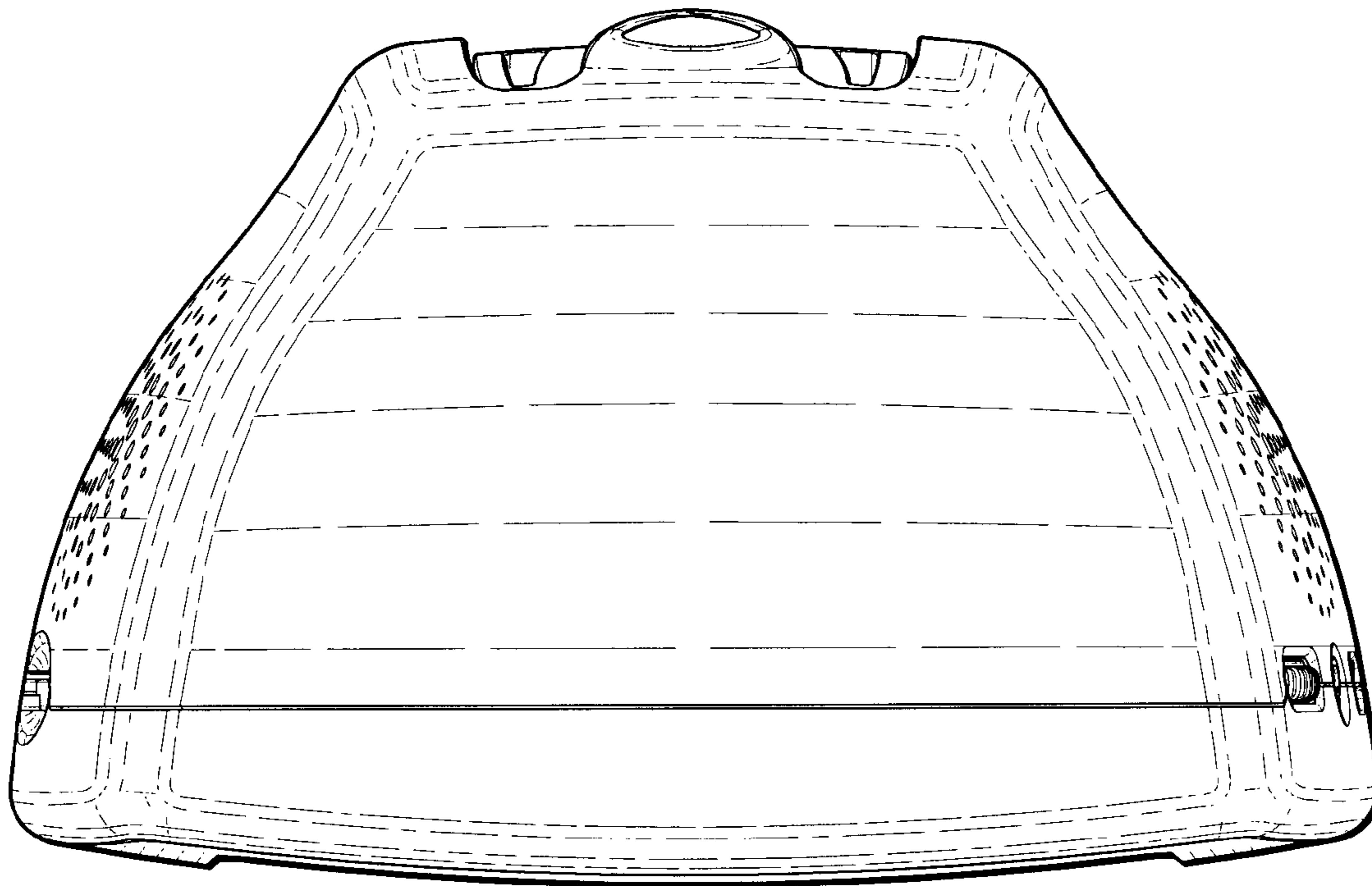


FIG. 5

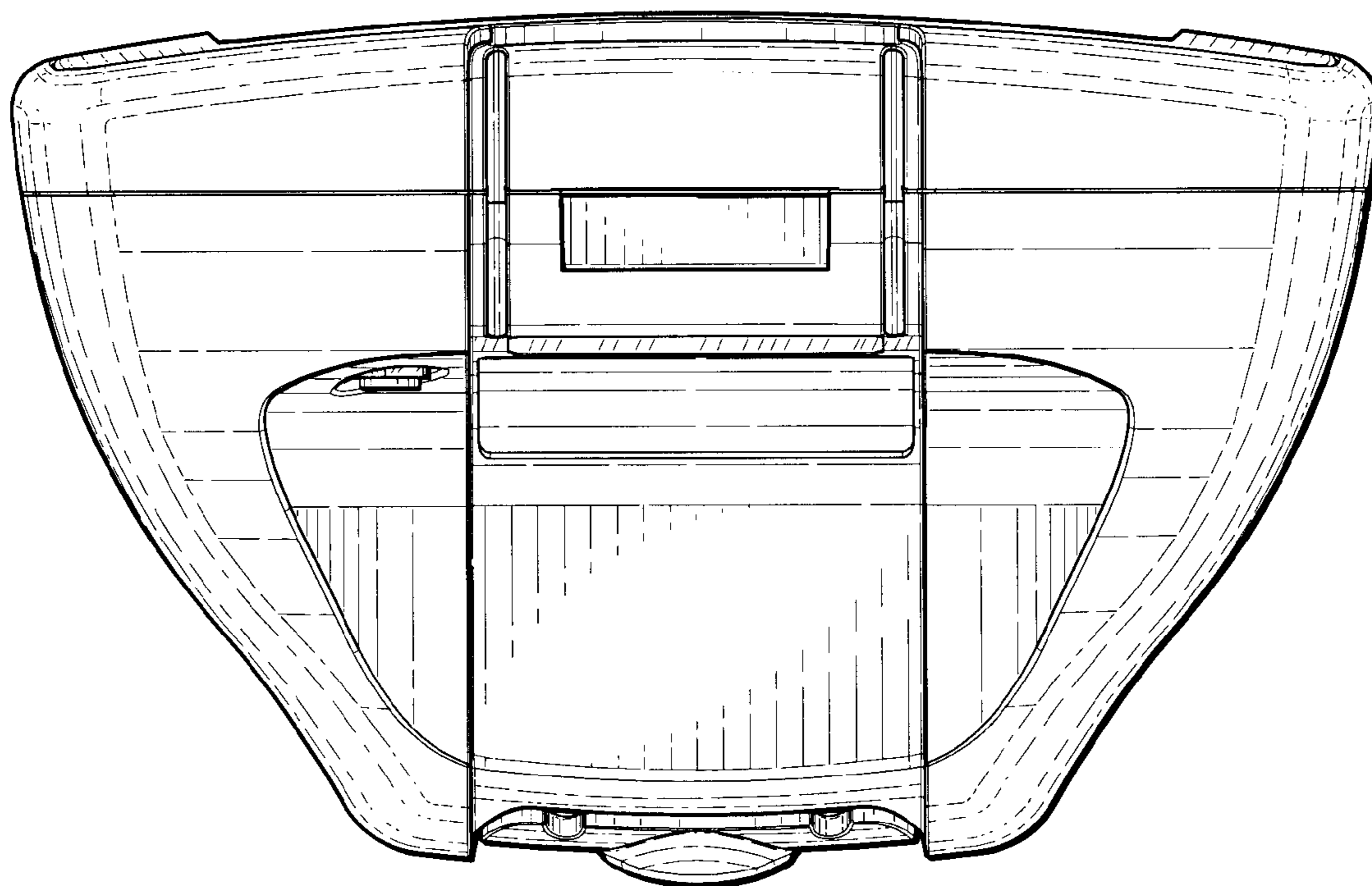


FIG. 6

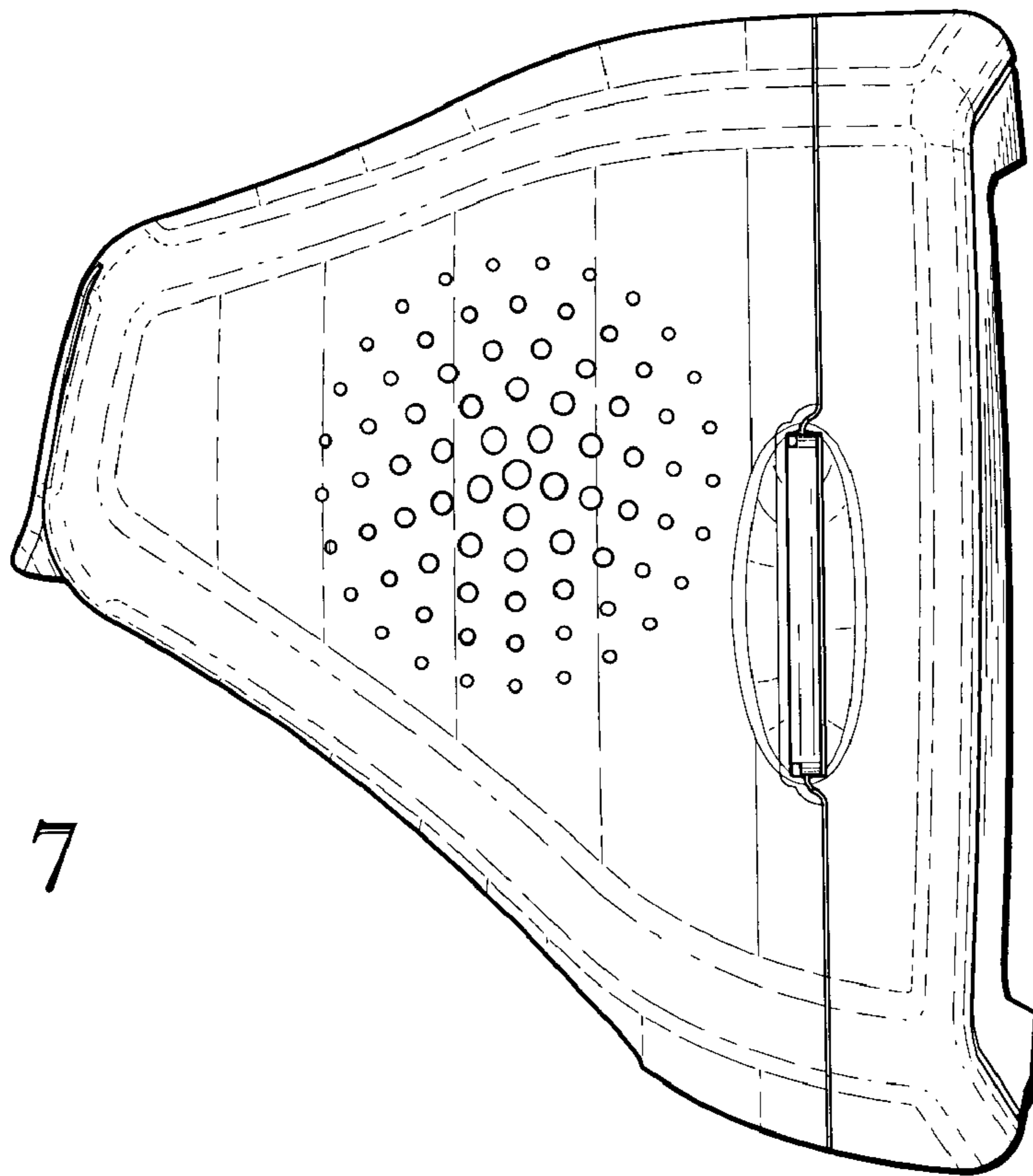


FIG. 7

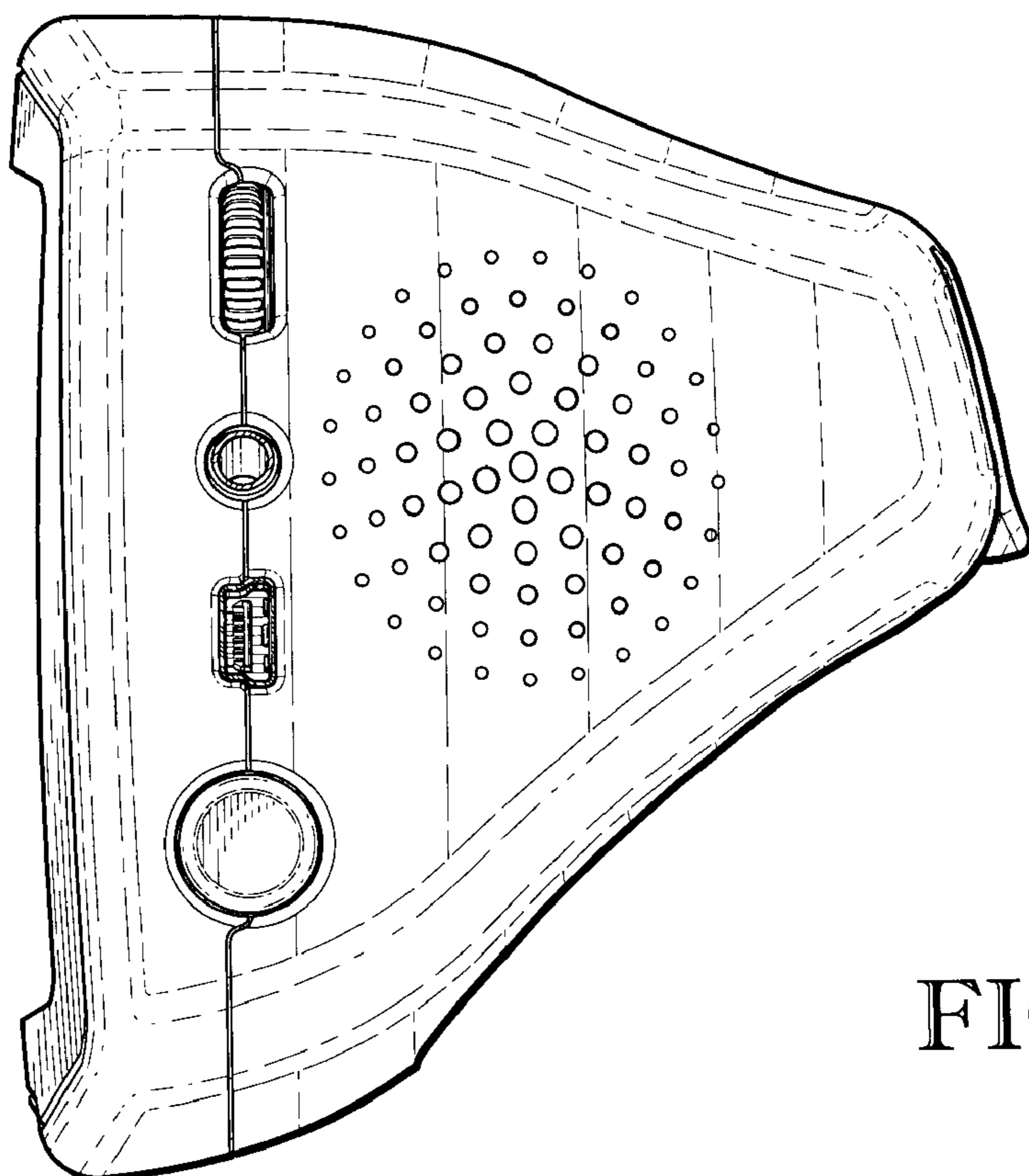


FIG. 8