



US00D510280S

(12) **United States Design Patent**  
**Petrucelli**

(10) **Patent No.:** **US D510,280 S**

(45) **Date of Patent:** **\*\* Oct. 4, 2005**

(54) **BATHROOM SCALE CLOCK**

(57) **CLAIM**

(75) **Inventor:** **Steven Petrucelli**, Cranbury, NJ (US)

The ornamental design for a bathroom scale clock, as shown and described.

(73) **Assignee:** **Measurement Specialties, Inc.**,  
Fairfield, NJ (US)

**DESCRIPTION**

(\*\*) **Term:** **14 Years**

FIG. 1 is a perspective view of a bathroom scale clock showing one embodiment of my new design;

(21) **Appl. No.:** **29/196,107**

FIG. 2 is a top plan view thereof;

(22) **Filed:** **Dec. 22, 2003**

FIG. 3 is a front elevation thereof, the rear and side elevations being the same;

(51) **LOC (8) Cl.** ..... **10-01**

FIG. 4 is a top plan view of the first embodiment of the bathroom scale clock with unclaimed environmental structure shown in broken lines;

(52) **U.S. Cl.** ..... **D10/2; D10/6**

(58) **Field of Search** ..... D10/1-40, 122-132;  
368/280-282, 276-277, 285, 294-295

FIG. 5 is a perspective view of a second embodiment of the bathroom scale clock;

(56) **References Cited**

**U.S. PATENT DOCUMENTS**

D87,003 S	*	5/1932	Genaille	.....	D10/25
D182,876 S	*	5/1958	Bruce	.....	D10/25
D251,362 S	*	3/1979	Hamilton et al.	.....	D10/25
D268,990 S	*	5/1983	Henkels	.....	D10/25
D319,408 S	*	8/1991	Baum	.....	D10/125
D372,430 S	*	8/1996	Patatanyan	.....	D10/24
D413,814 S	*	9/1999	Hargrove, III	.....	D10/22
D415,051 S	*	10/1999	Fabian	.....	D10/92
D415,438 S	*	10/1999	Plazonich	.....	D10/92
D422,232 S	*	4/2000	Dal Toso	.....	D10/92
D475,311 S	*	6/2003	Wiel et al.	.....	D10/92

FIG. 6 is a top plan view of the second embodiment;

FIG. 7 is a front elevation of the second embodiment, the rear and side elevations being the same;

FIG. 8 is a perspective view of a third embodiment of the bathroom scale clock;

FIG. 9 is a top plan view of the third embodiment;

FIG. 10 is a front elevation of the third embodiment, the rear and side elevations being the same;

FIG. 11 is a perspective view of a fourth embodiment of the bathroom scale clock;

FIG. 12 is a top plan view of the fourth embodiment; and

FIG. 13 is a front elevation of the fourth embodiment, the rear and side elevations being the same.

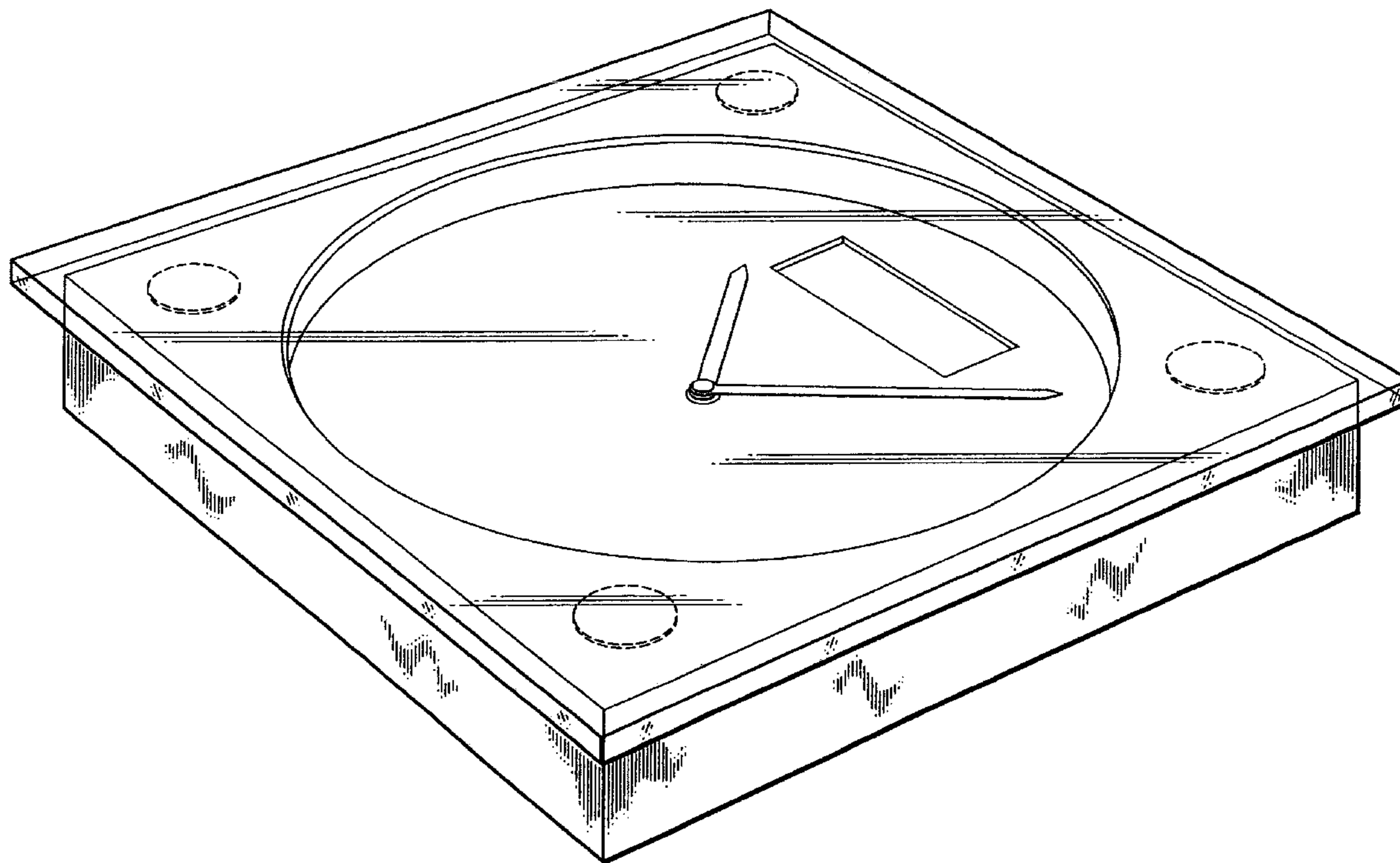
The broken lines shown are for illustrative purposes only and forms no part of the claimed design.

\* cited by examiner

*Primary Examiner*—Nelson C. Holtje

(74) *Attorney, Agent, or Firm*—Plevy, Howard & Darcy PC

**1 Claim, 9 Drawing Sheets**



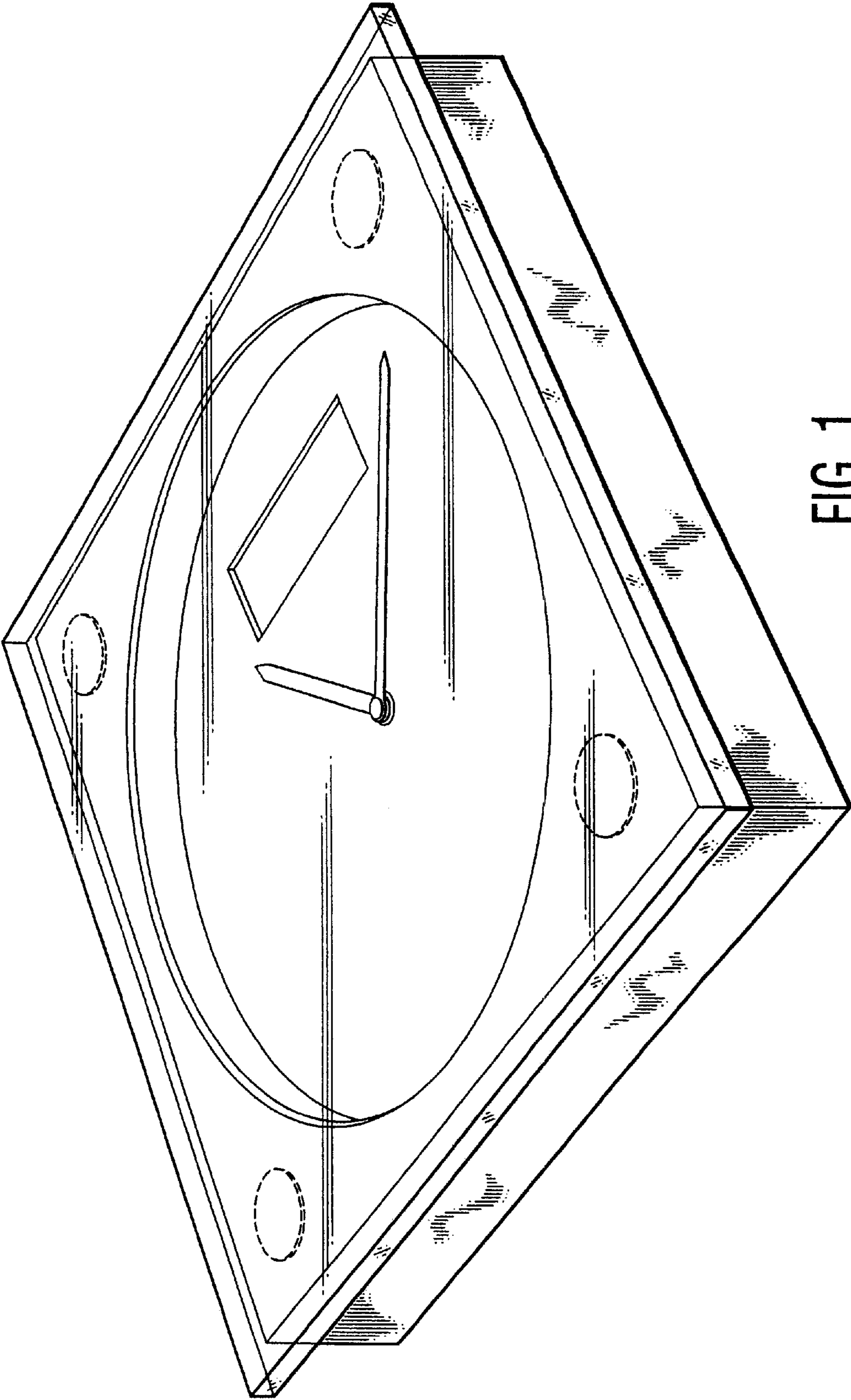


FIG. 1

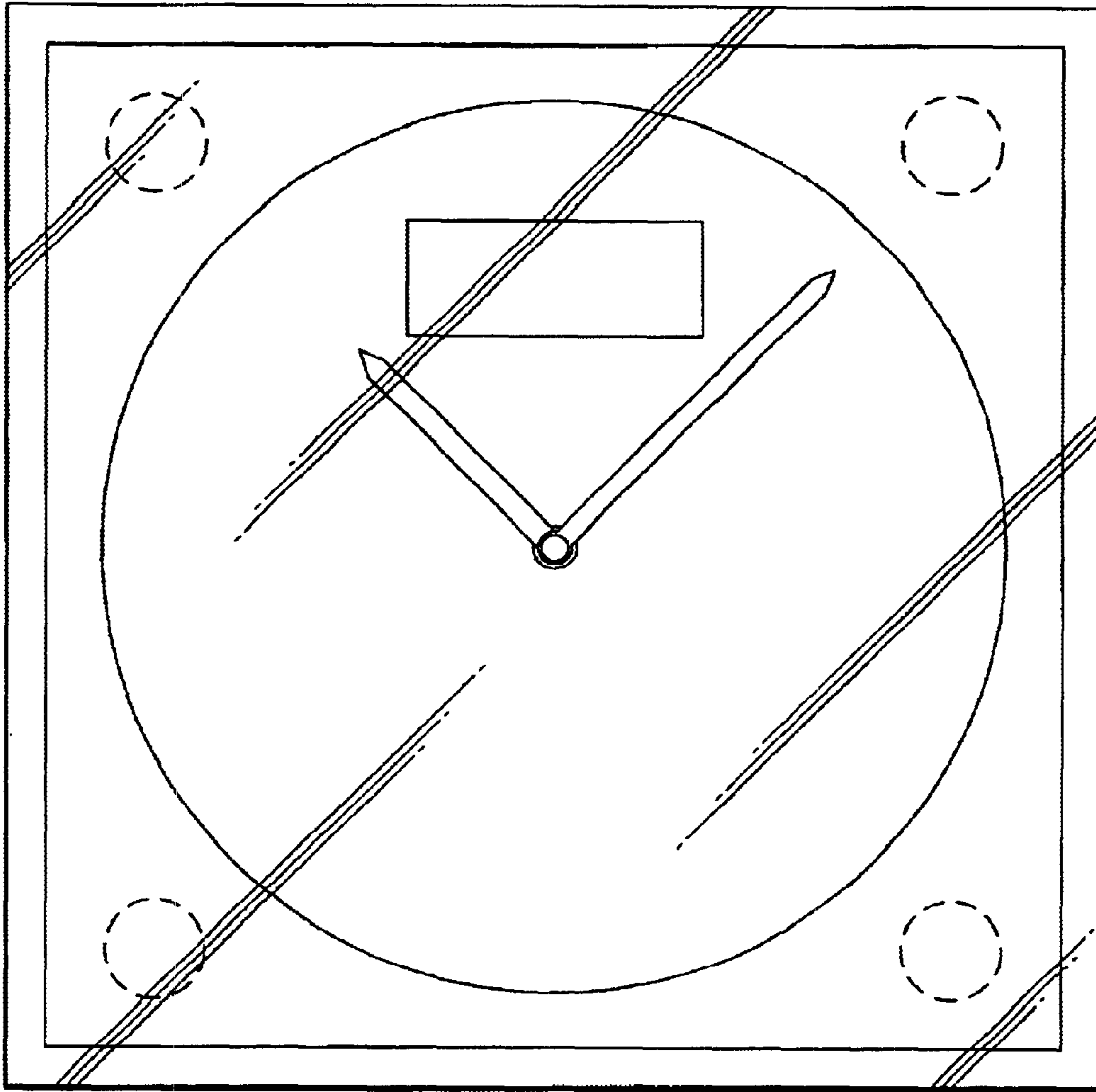


FIG. 2

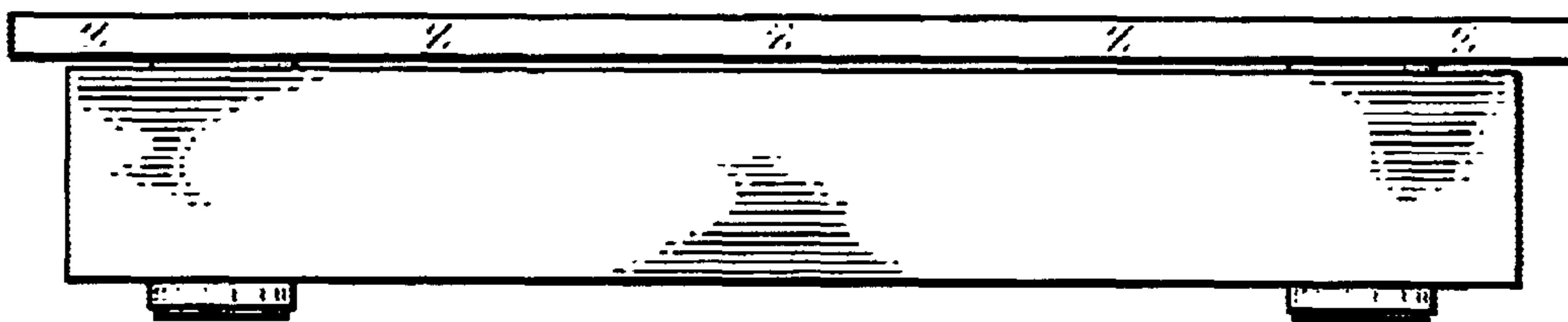


FIG. 3

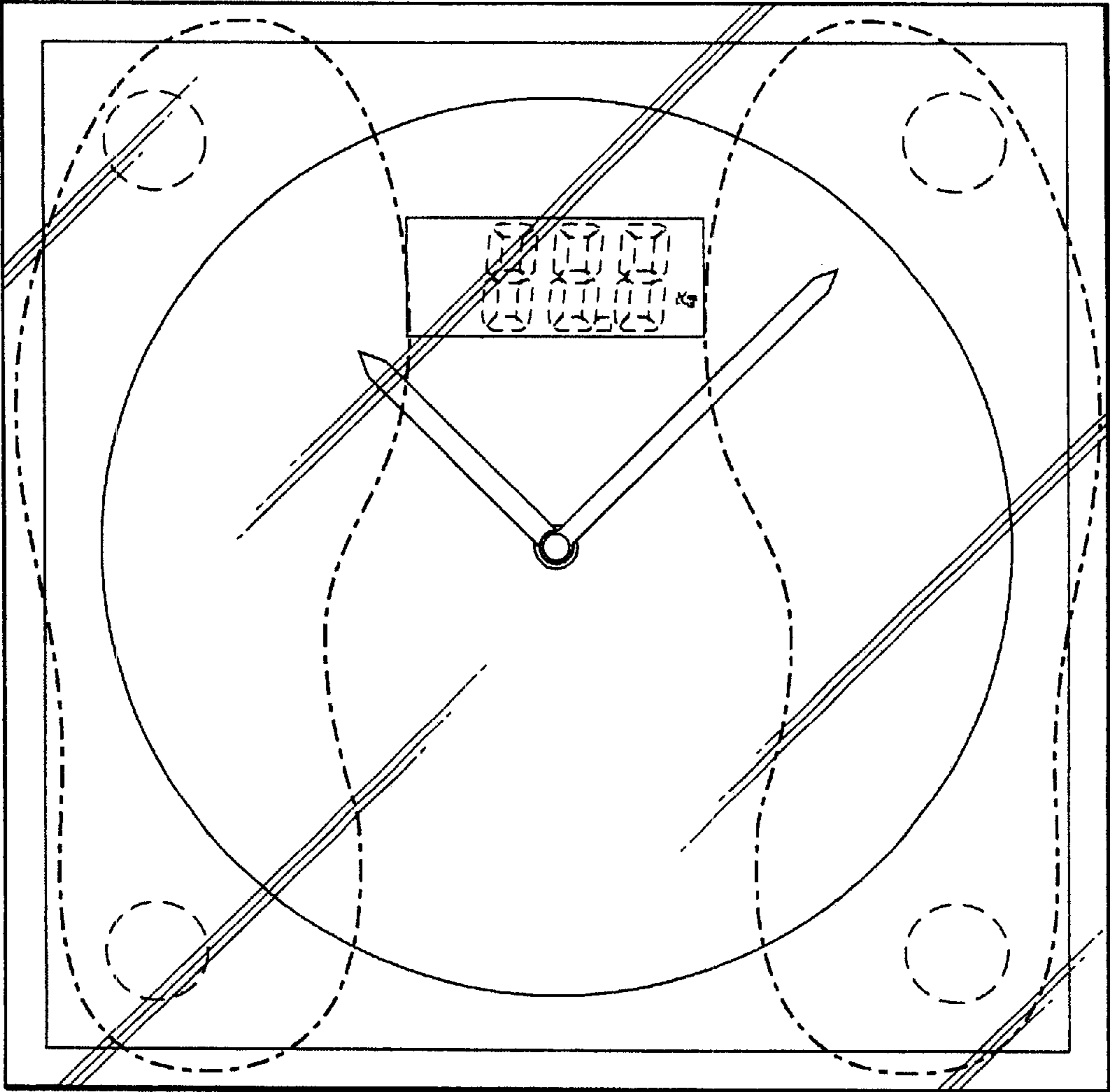


FIG. 4

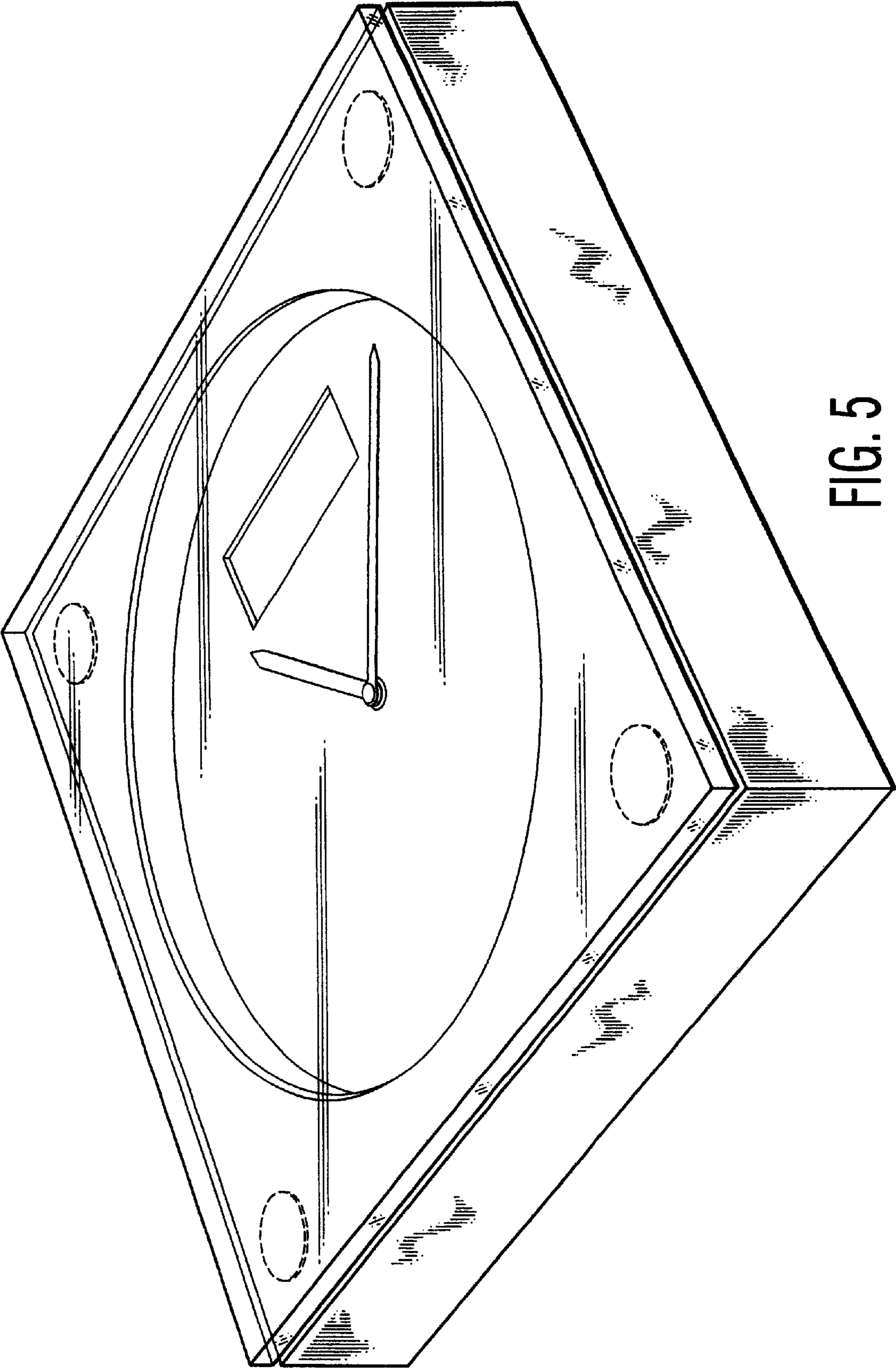


FIG. 5

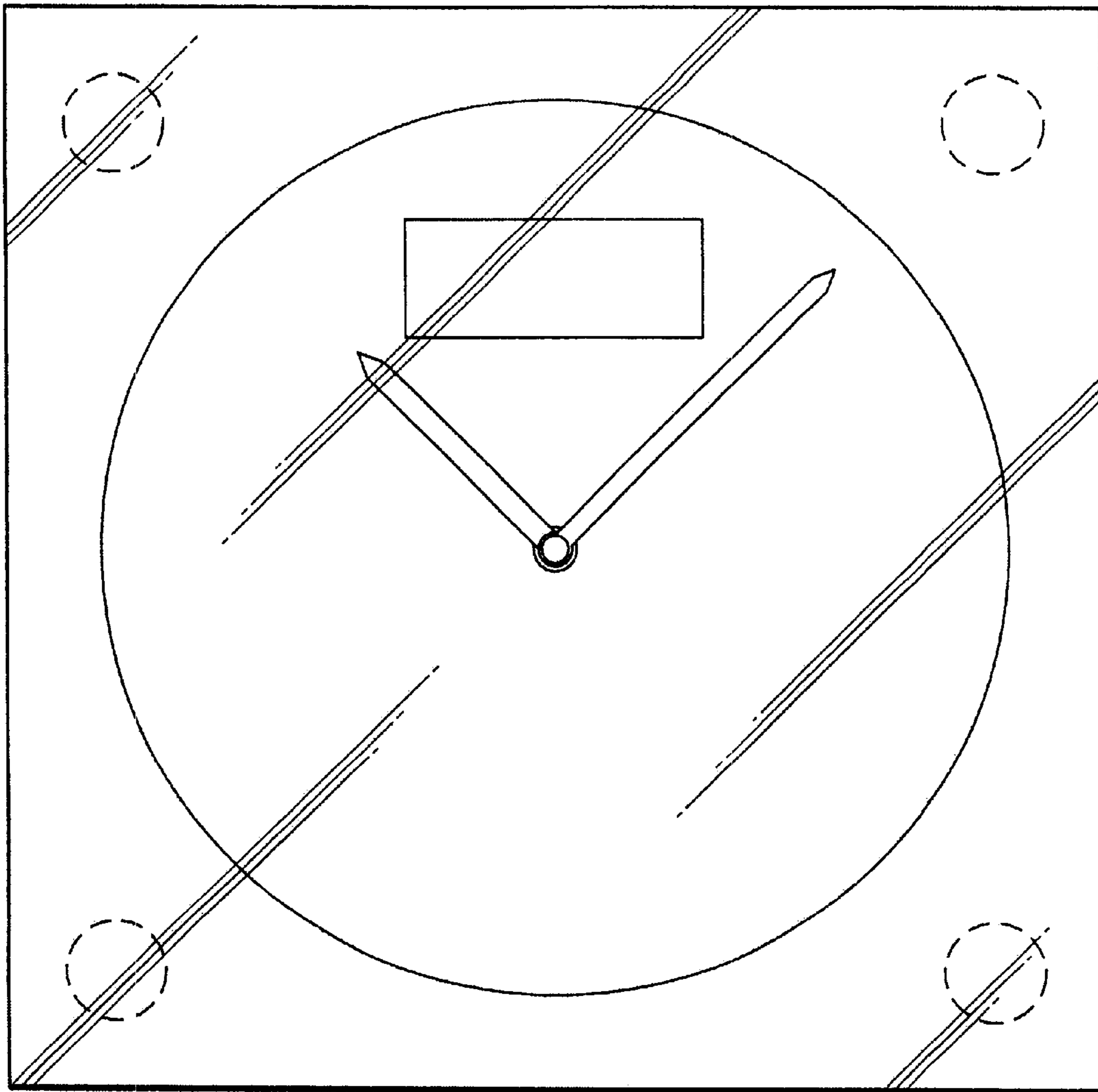


FIG. 6

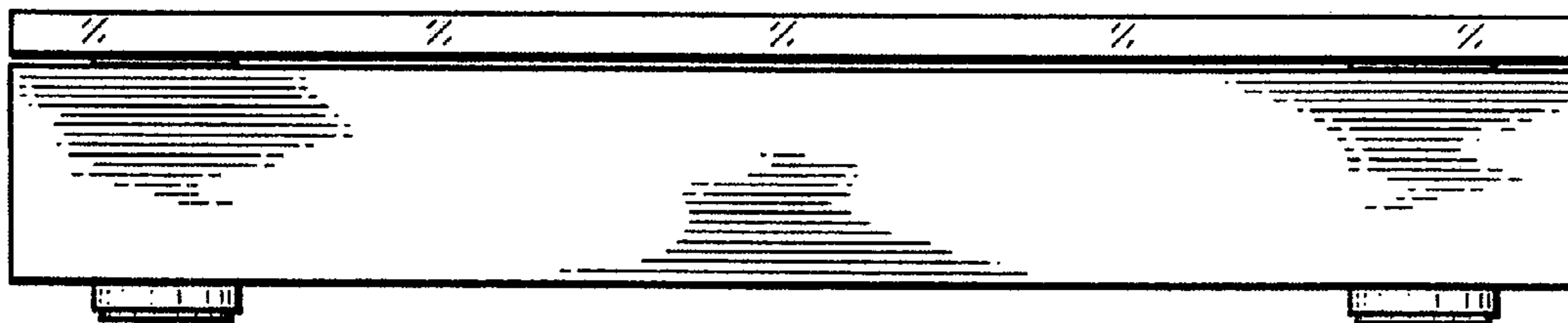


FIG. 7

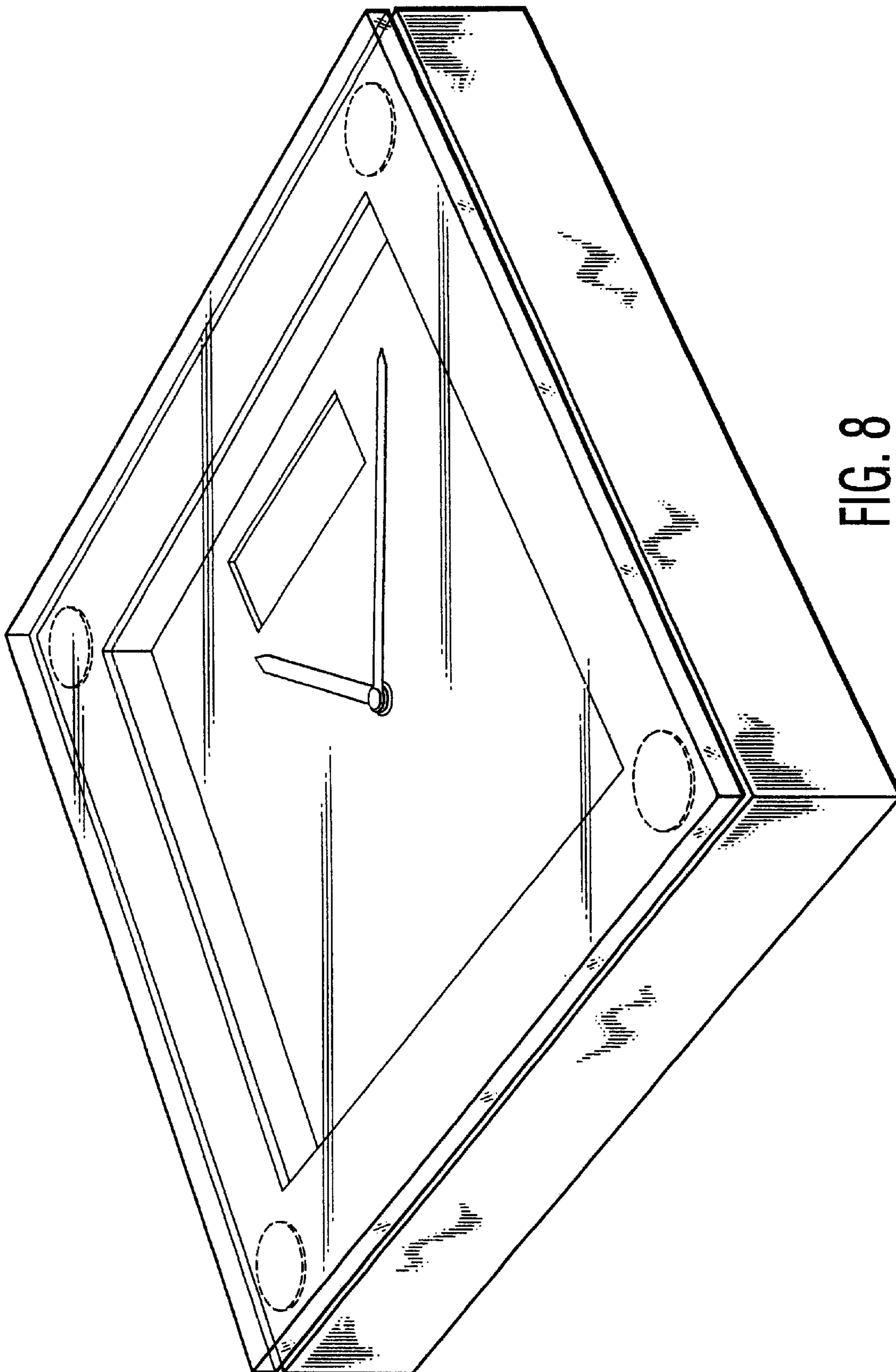


FIG. 8

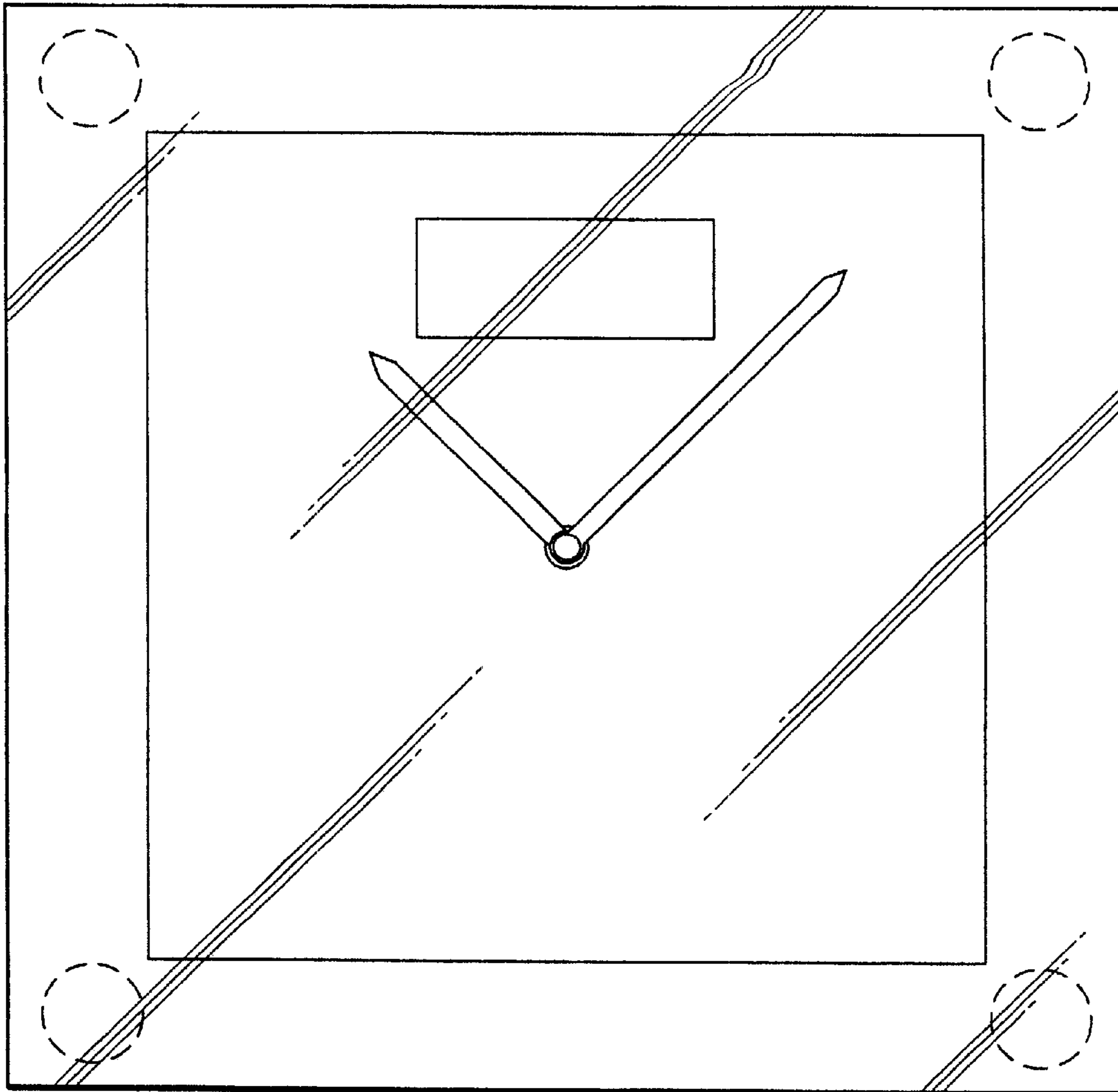


FIG. 9

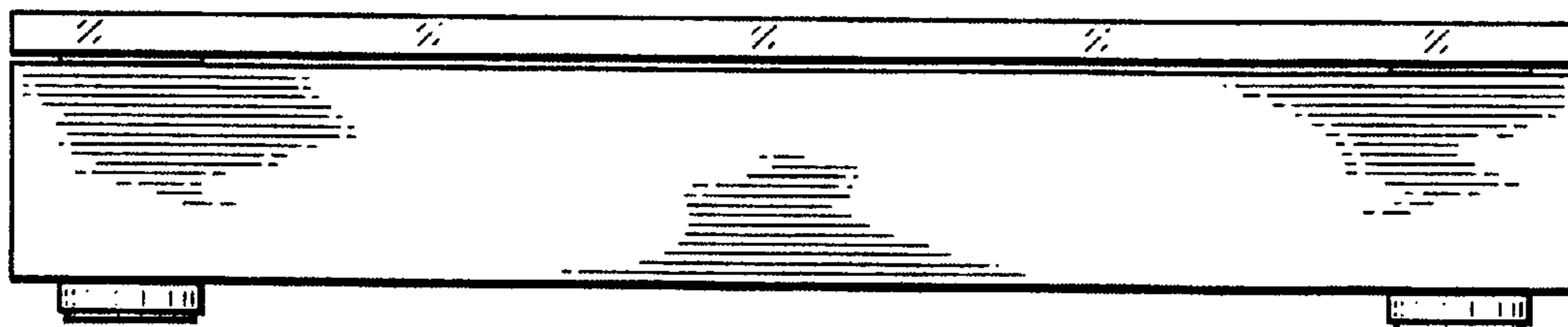


FIG. 10



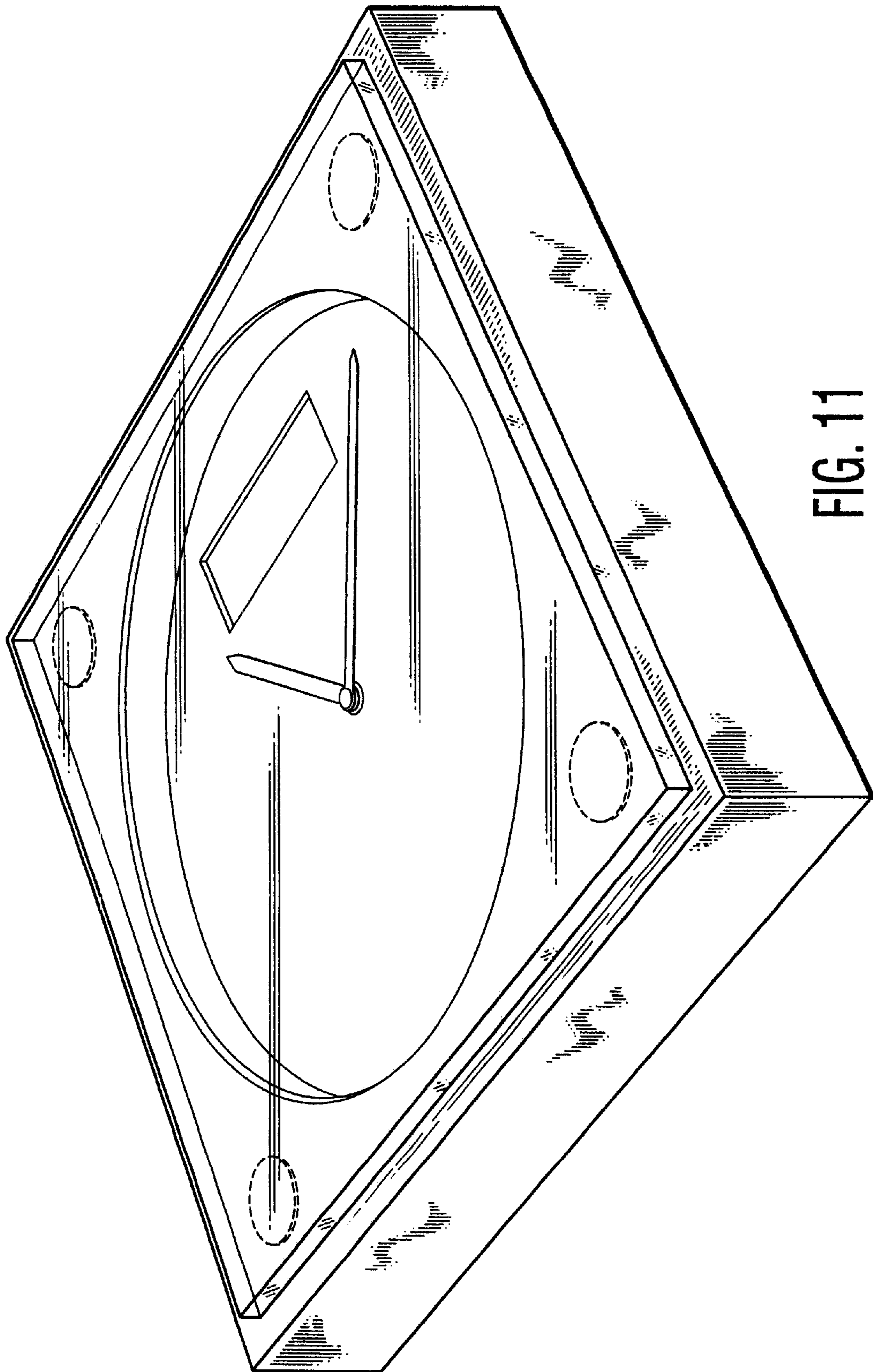


FIG. 11

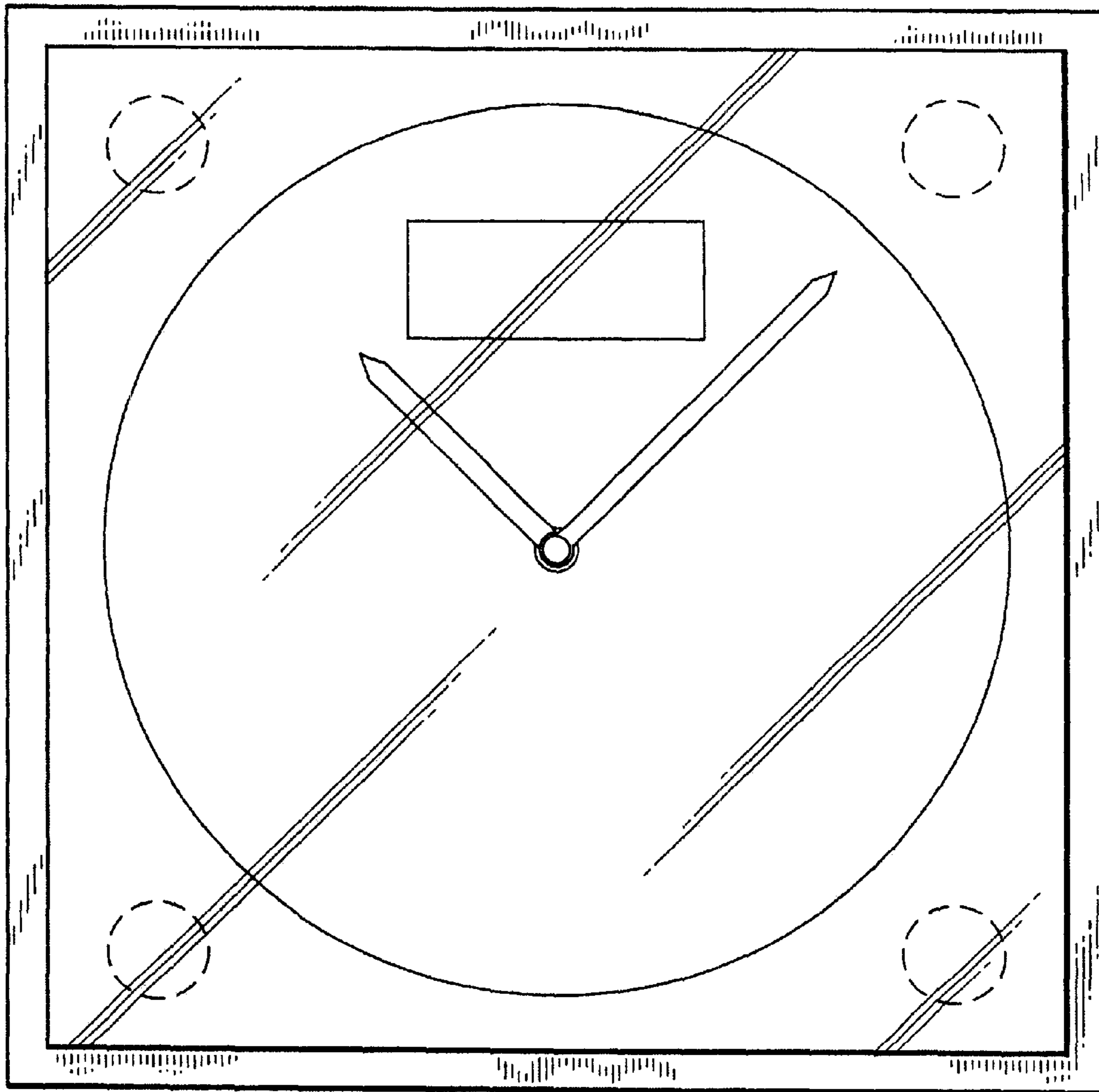


FIG. 12

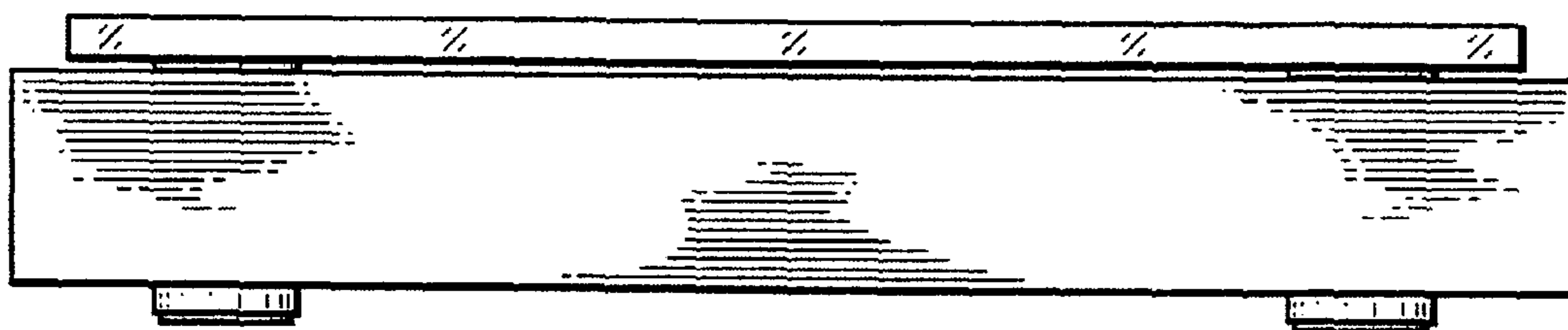


FIG. 13