



US00D510269S

(12) **United States Design Patent** (10) **Patent No.:** **US D510,269 S**
Pitman et al. (45) **Date of Patent:** **** Oct. 4, 2005**

(54) **CLOSURE CAP** 6,006,933 A 12/1999 Henning et al.
D418,757 S 1/2000 Reidenbach
(75) Inventors: **Kelvin Pitman**, Bubendorf (CH); **Udo Boesl**, Eilmeldingen (DE); **Patrick Habersaat**, Reinach (CH) D419,071 S * 1/2000 Peters et al. D9/453
D420,916 S * 2/2000 Ohmi et al. D9/453
6,116,443 A 9/2000 Parrinello
D433,820 S * 11/2000 Haarer et al. D9/453
D448,297 S 9/2001 Sindermann
(73) Assignee: **Crown Cork & Seal Technologies, Corporation**, Alsip, IL (US) D457,431 S * 5/2002 Brant et al. D9/454
6,457,299 B1 10/2002 Schwenke et al.
6,502,369 B1 1/2003 Andison et al.
(**) Term: **14 Years** D470,413 S * 2/2003 Seidita D9/452

(21) Appl. No.: **29/185,641**
(22) Filed: **Jul. 1, 2003**

(51) **LOC (8) Cl.** **09-07**
(52) **U.S. Cl.** **D9/452; D9/453**
(58) **Field of Search** D9/448, 434, 435, D9/450, 452, 453, 454; 215/200, 208, 214, 217, 328, 329, 337; D24/197-199

FOREIGN PATENT DOCUMENTS

DE DM/052170 * 5/2000
FR DM/057655 * 10/2001
FR DM/058766 * 2/2002
FR DM/063888 * 6/2003

* cited by examiner

Primary Examiner—Robert M. Spear
Assistant Examiner—Susan Bennett Hattan
(74) *Attorney, Agent, or Firm*—Knoble Yoshida & Dunleavy LLC

(56) **References Cited**

U.S. PATENT DOCUMENTS

928,872 A 7/1909 Lyon
D48,033 S 10/1915 Kaye
1,170,160 A 2/1916 Ingram et al.
1,722,587 A 7/1929 McDonnell
2,792,957 A 5/1957 Rodriguez
D204,508 S 4/1966 Brockett
3,281,001 A 10/1966 Stuart
D242,773 S * 12/1976 Licari et al. D9/448
4,055,266 A 10/1977 Amabili
4,402,415 A 9/1983 Hopely
5,090,581 A 2/1992 Rose et al.
5,263,600 A 11/1993 Henning
5,415,306 A 5/1995 Luch et al.
5,715,959 A 2/1998 Pfefferkorn et al.
5,749,201 A 5/1998 Cochrane
5,884,790 A 3/1999 Seidita
D415,684 S * 10/1999 Reidenbach D9/453

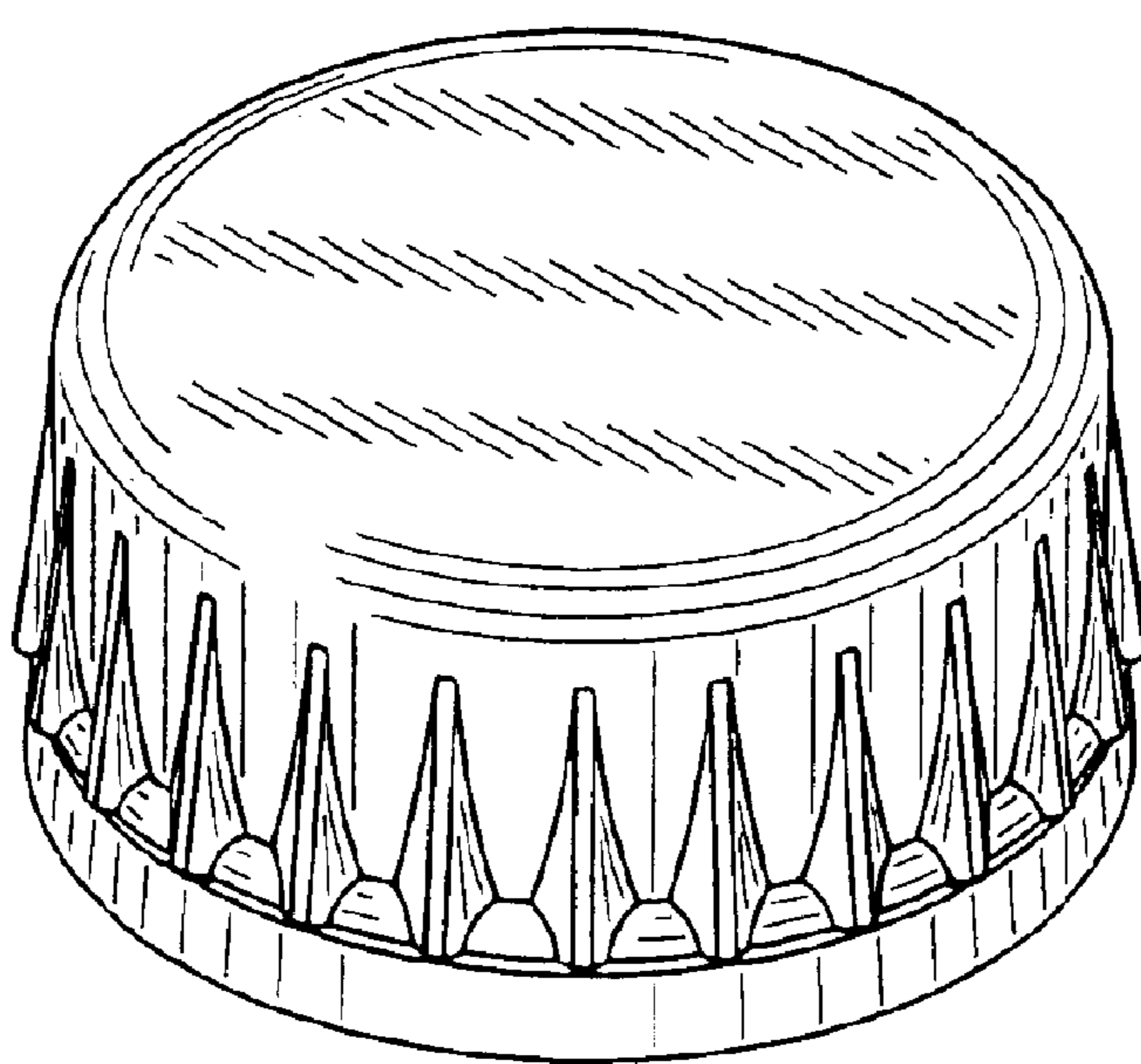
(57) **CLAIM**

The ornamental design for a “closure cap,” as shown and described.

DESCRIPTION

FIG. 1 is a perspective view showing our new design;
FIG. 2 is a first side elevational view;
FIG. 3 is a second side elevational view;
FIG. 4 is a top plan view;
FIG. 5 is a bottom plan view; and,
FIG. 6 is a cross-sectional view taken along lines 6—6 in FIG. 5.

1 Claim, 3 Drawing Sheets



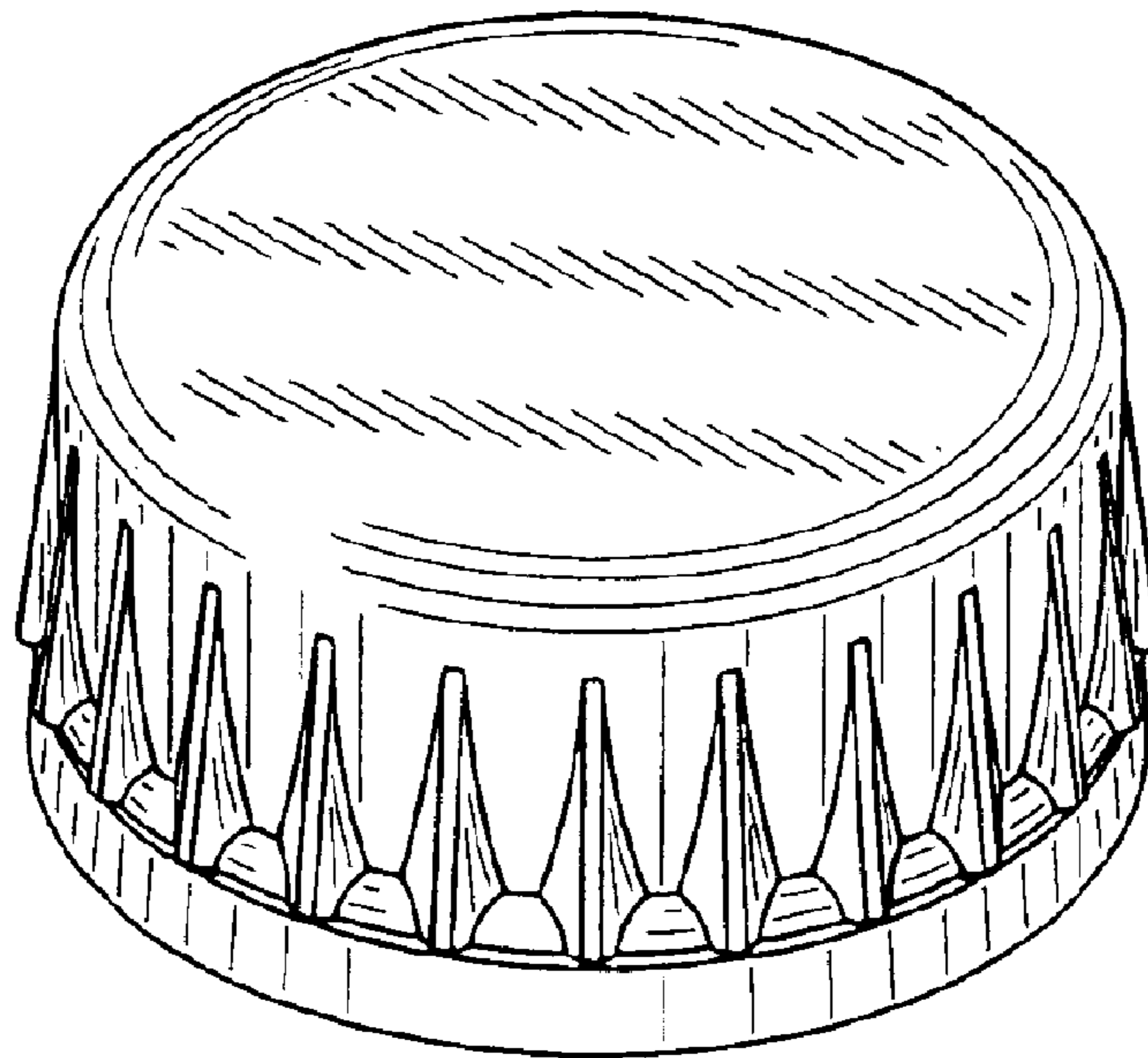


FIG. 1

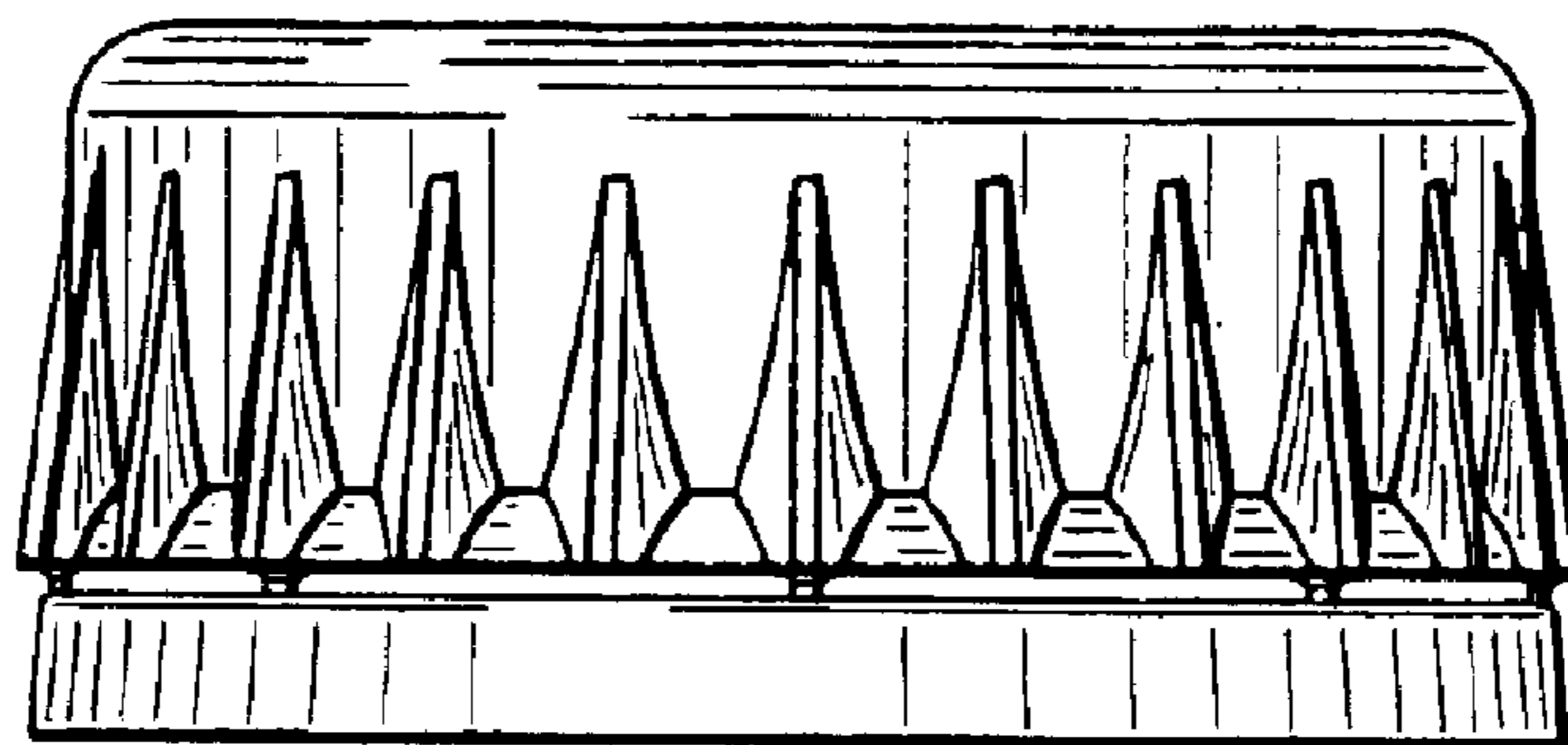


FIG. 2

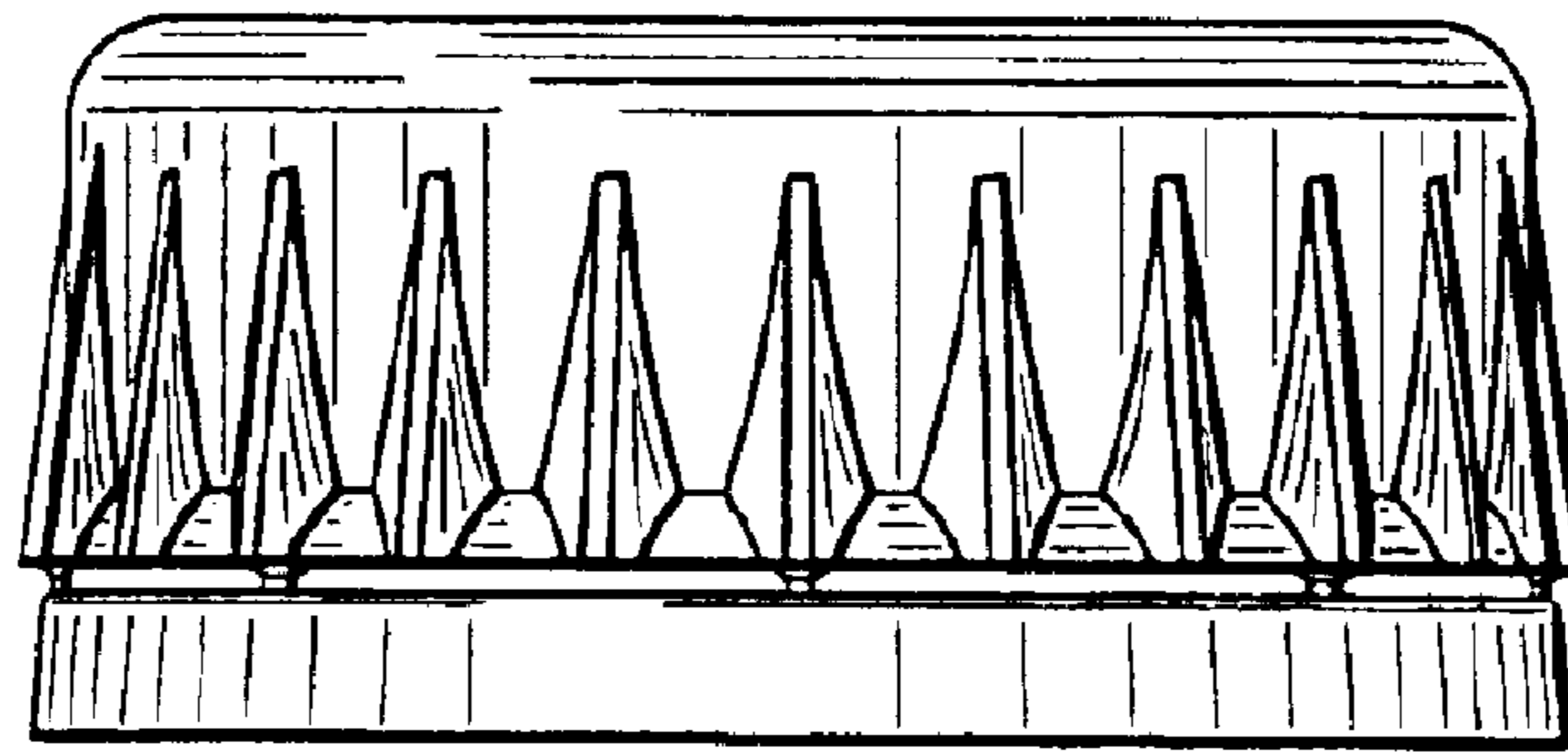


FIG. 3

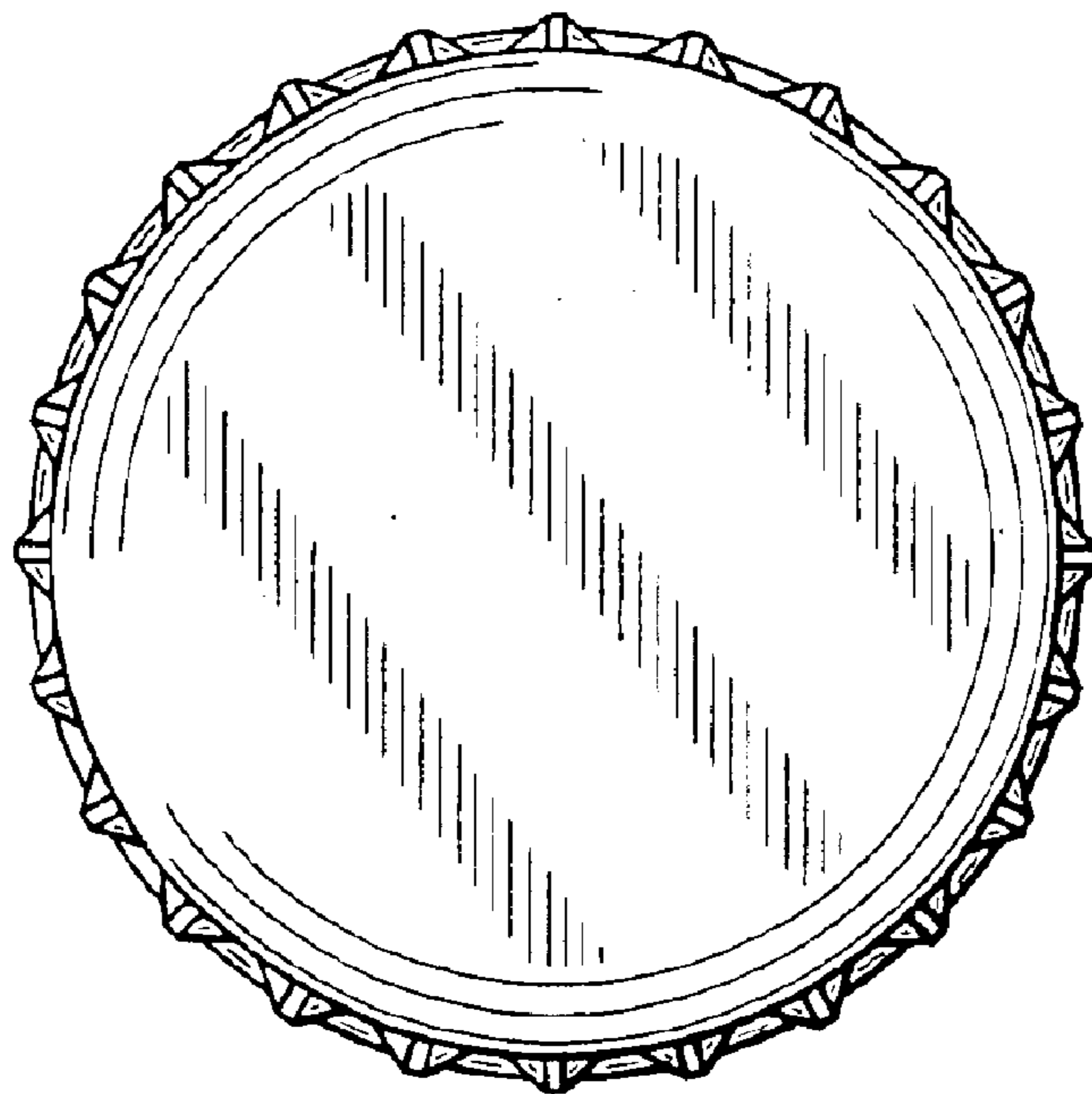


FIG. 4

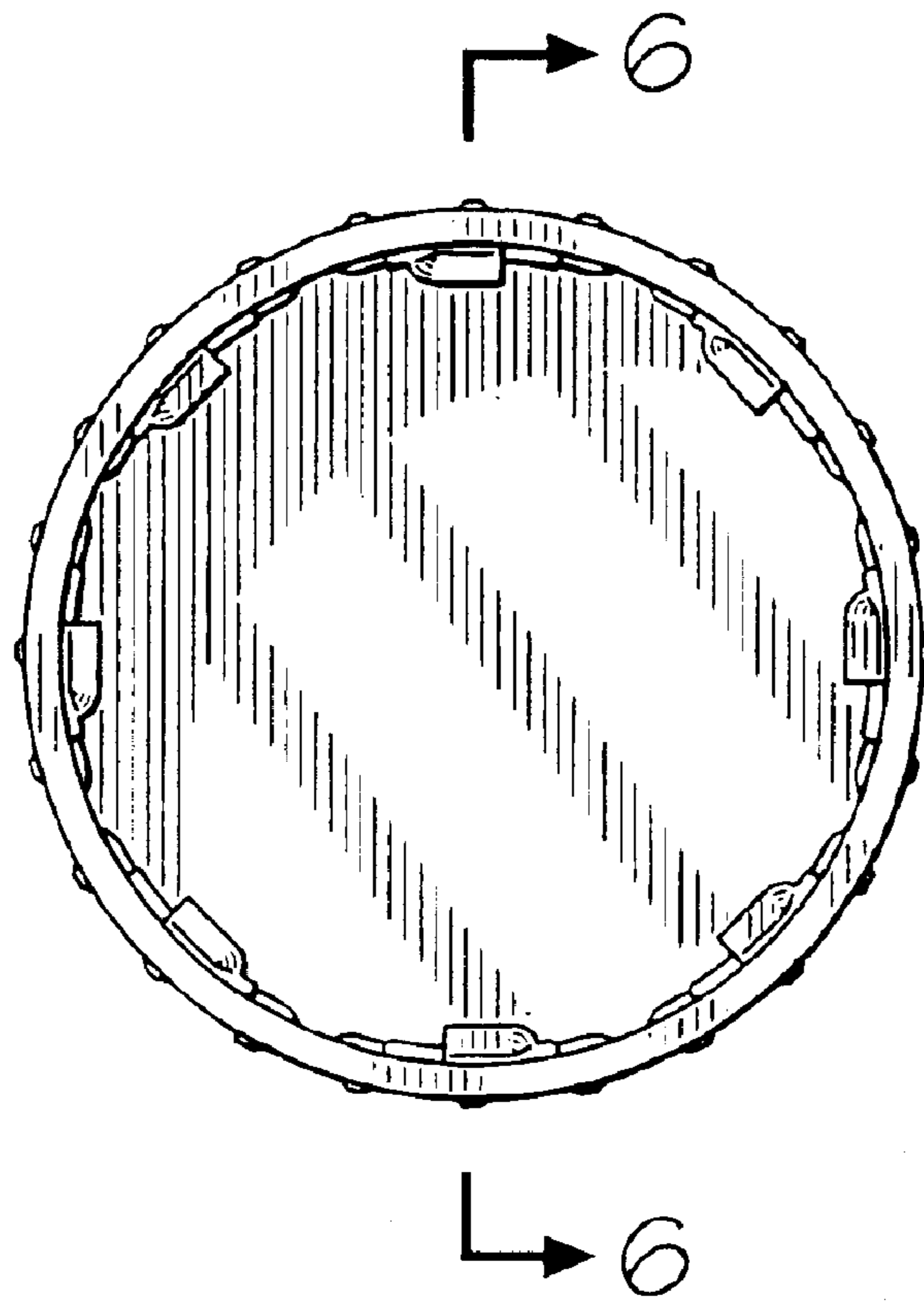


FIG. 5

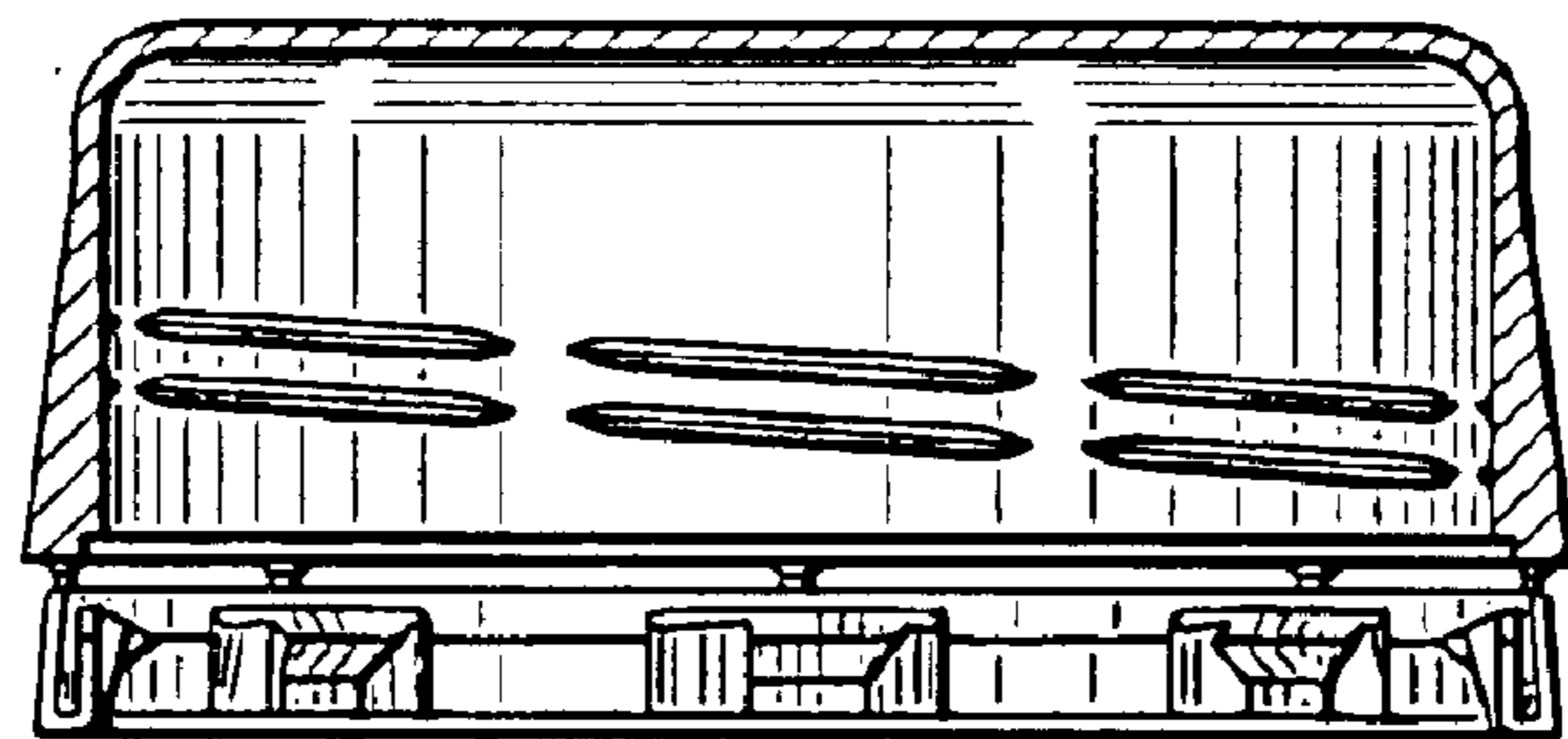


FIG. 6