



US00D510267S

(12) **United States Design Patent**
Miller et al.

(10) **Patent No.:** **US D510,267 S**
(45) **Date of Patent:** **** Oct. 4, 2005**

(54) **OVERCAP**

(75) Inventors: **Allen D. Miller**, Racine, WI (US);
Ronald D. A. Reyes, Racine, WI (US)

(73) Assignee: **S.C. Johnson & Son, Inc.**, Racine, WI (US)

(**) Term: **14 Years**

(21) Appl. No.: **29/208,380**

(22) Filed: **Jun. 28, 2004**

(51) **LOC (8) Cl.** **09-07**

(52) **U.S. Cl.** **D9/448**

(58) **Field of Search** D9/448, 434-447,
D9/300, 449, 418, 454; D28/7; 222/402.11-402.14,
553, 565, 402.21, 546, 153.1, 153.11; 215/277;
220/915, 212

(56) **References Cited**

U.S. PATENT DOCUMENTS

D198,482 S	*	6/1964	Abplanalp	D9/448
D204,031 S	*	3/1966	Abplanalp	D9/448
D314,917 S	*	2/1991	Thompson	D9/448
D325,348 S	*	4/1992	Bishop et al.	D9/448
D414,416 S	*	9/1999	Watkins	D9/448
D423,356 S		4/2000	Mineau et al.		

* cited by examiner

Primary Examiner—Louis S. Zarfaz
Assistant Examiner—Susan Bennett Hattan

(57) **CLAIM**

The ornamental design for an overcap, as shown and described.

DESCRIPTION

In a preferred embodiment, the nature of this product is as an actuator overcap for dispensing materials, preferably aerosolized insecticides, cleaners and fragrances, from a container.

FIG. 1 is a left, top, front perspective view of an overcap embodying our new design;

FIG. 2 is a front elevational view thereof,

FIG. 3 is a left side elevational view thereof, the right side elevational view thereof being a mirror image of the left side shown;

FIG. 4 is a rear elevational view thereof;

FIG. 5 is a top plan view thereof;

FIG. 6 is a bottom plan view thereof;

FIG. 7 is a left, top, front perspective view of a second embodiment, the left side elevational view thereof being the same as the view shown in FIG. 3, with the right side elevational view thereof being a mirror image thereof, and the rear elevational view being the same as the view shown in FIG. 4;

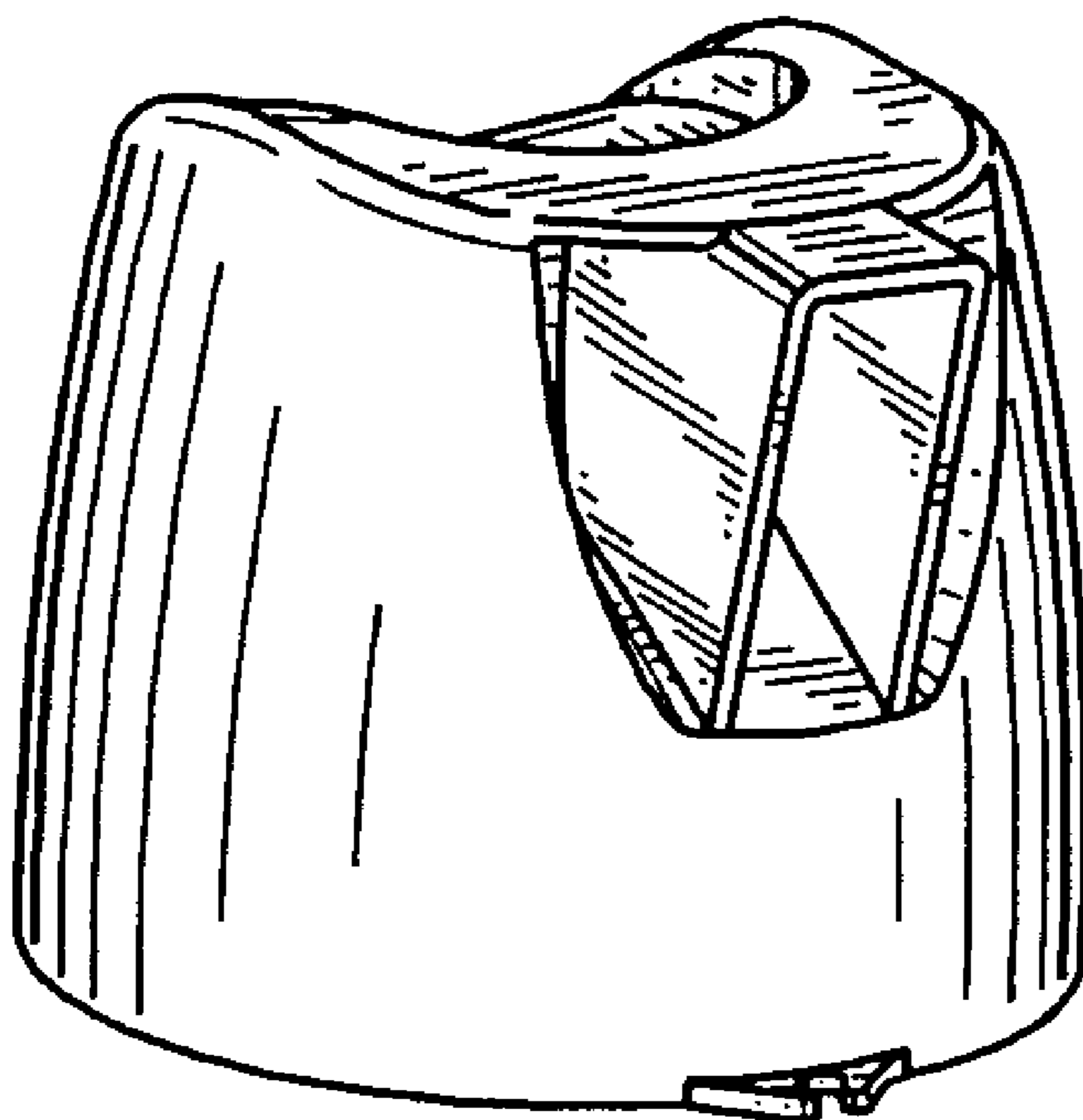
FIG. 8 is a front elevational view of the FIG. 7 embodiment,

FIG. 9 is a top plan view thereof; and,

FIG. 10 is a bottom plan view thereof.

The broken line representations of internal features in FIGS. 7, 8 and 10 are for the purpose of illustration only and form no part of the claimed design.

1 Claim, 3 Drawing Sheets



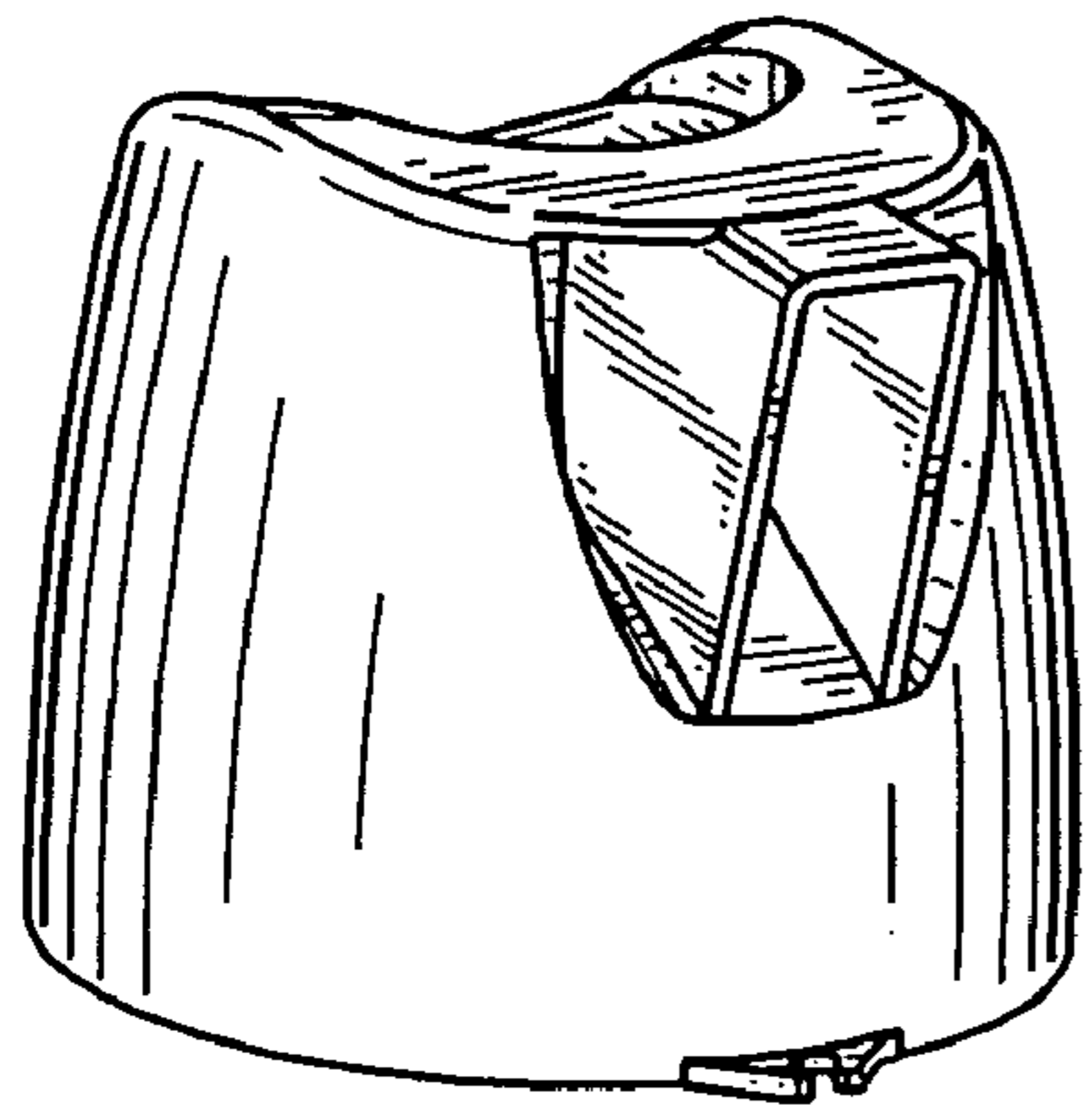


FIG. 1

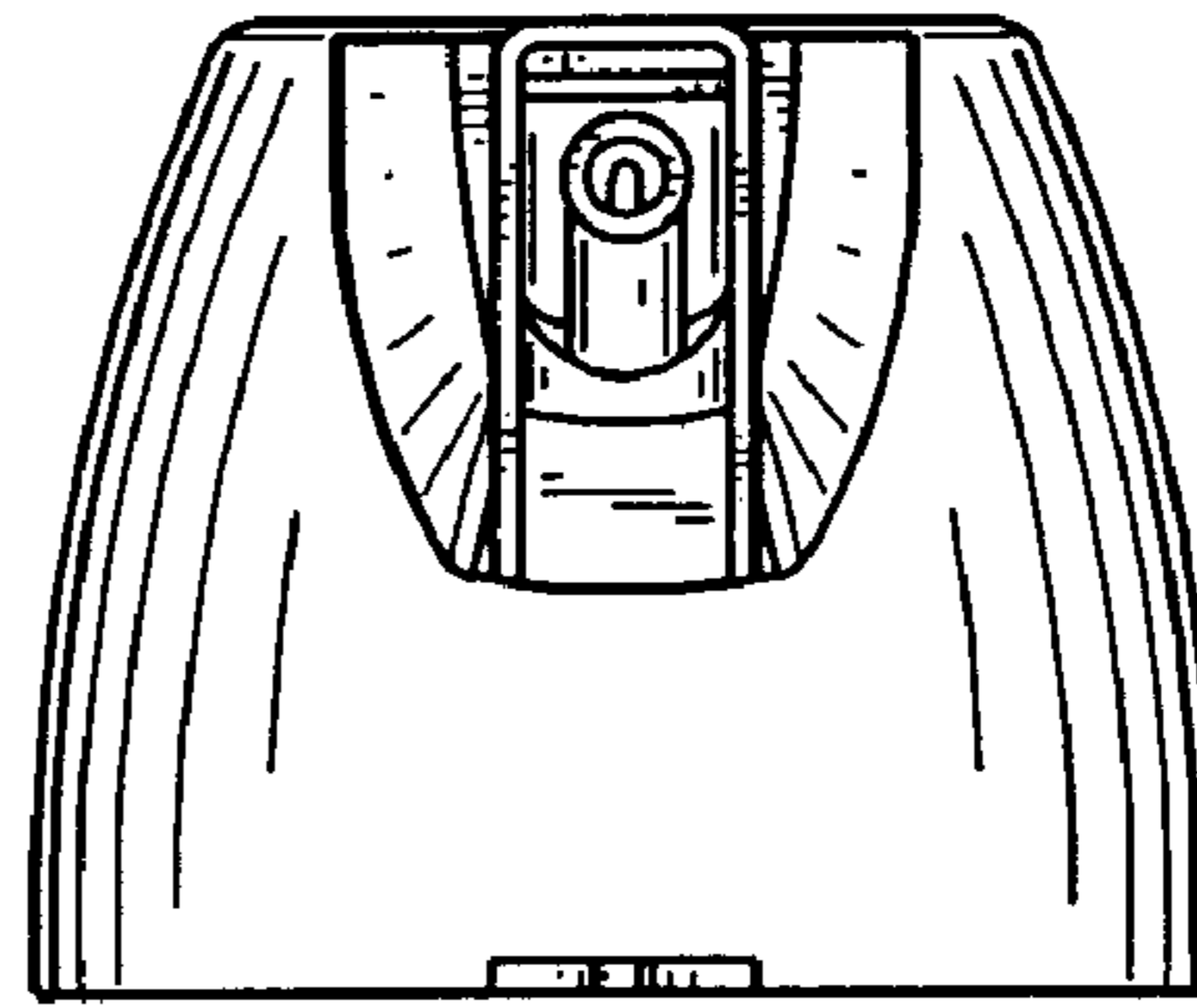


FIG. 2

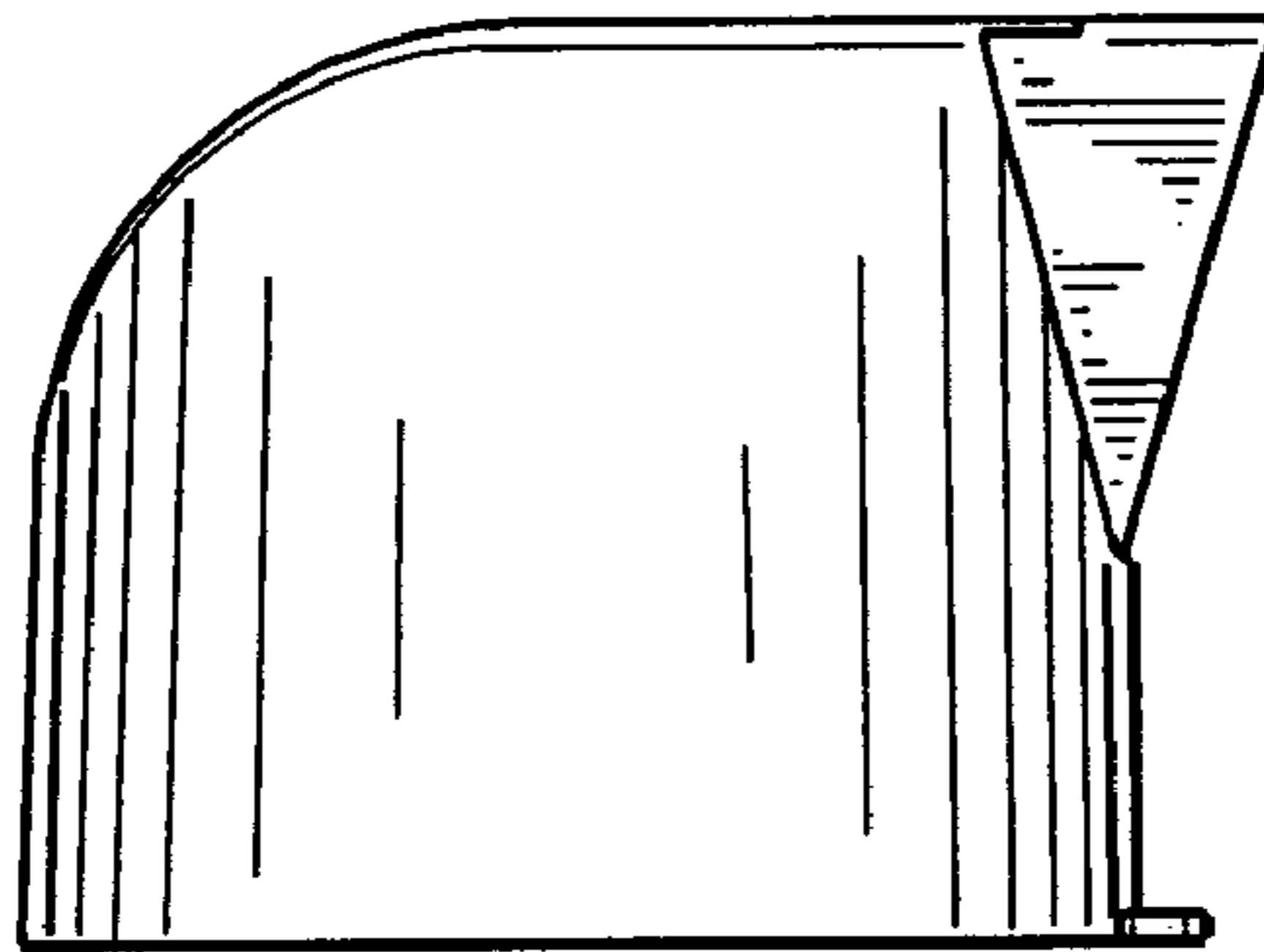


FIG. 3

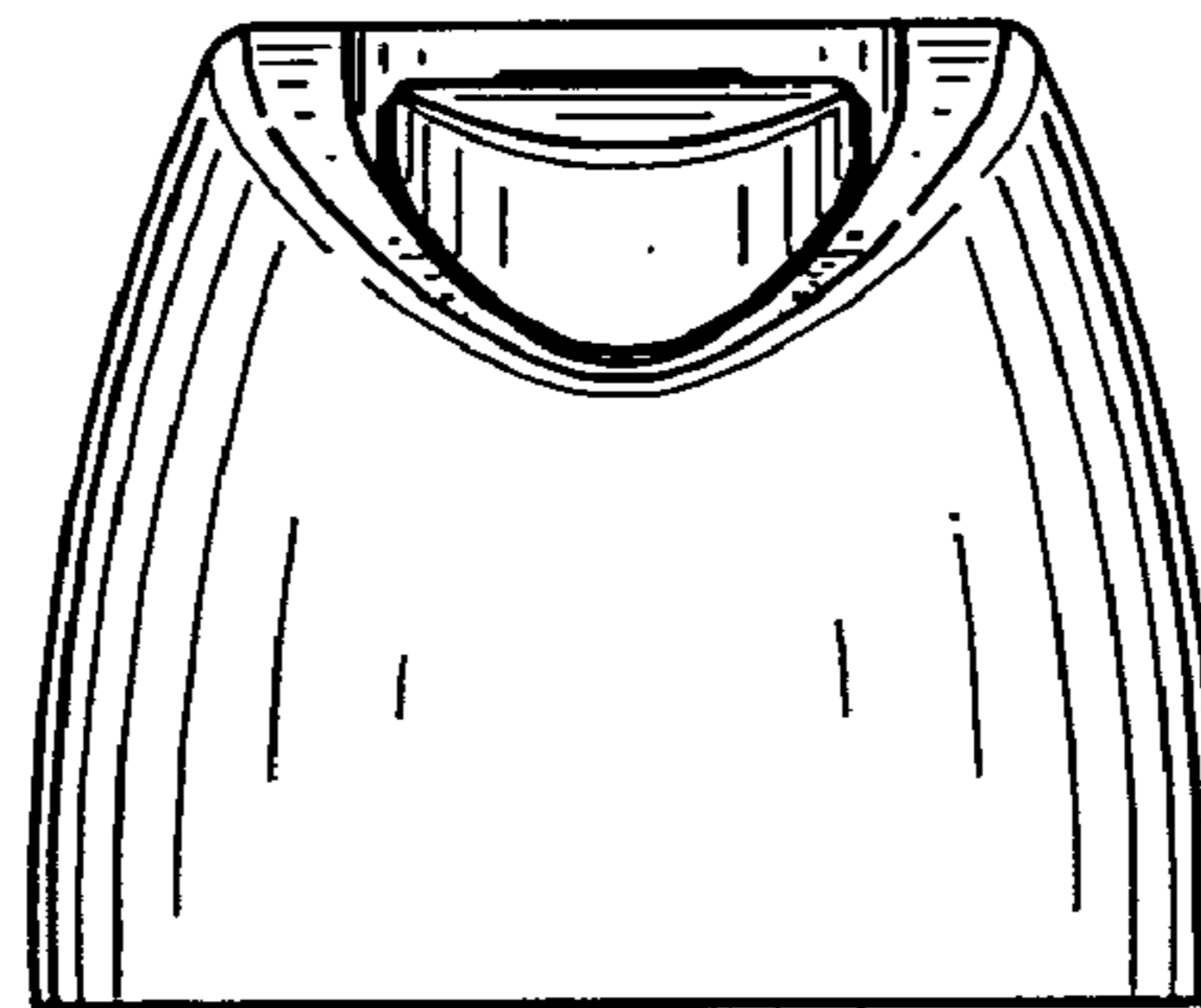


FIG. 4

FIG. 5

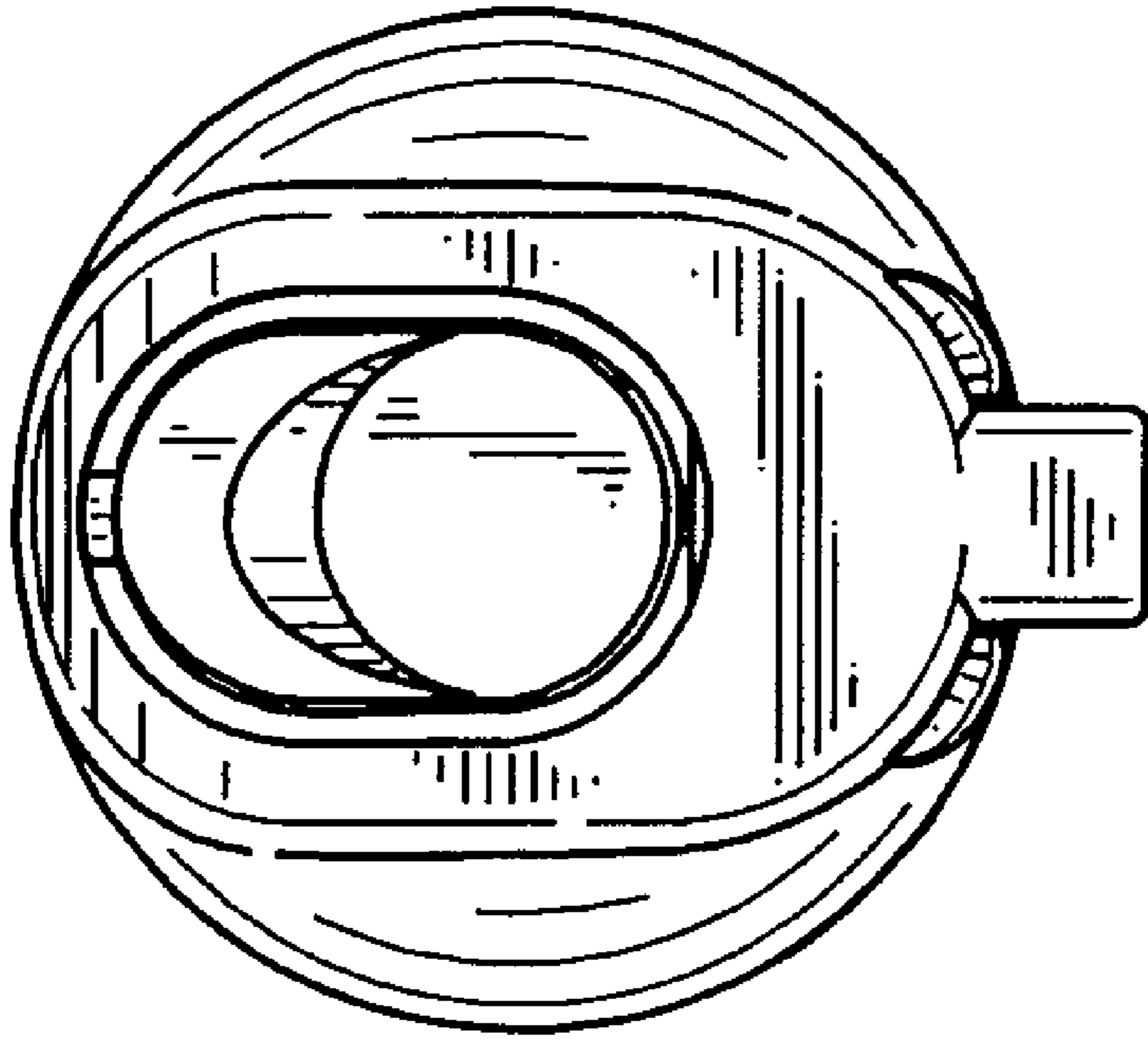
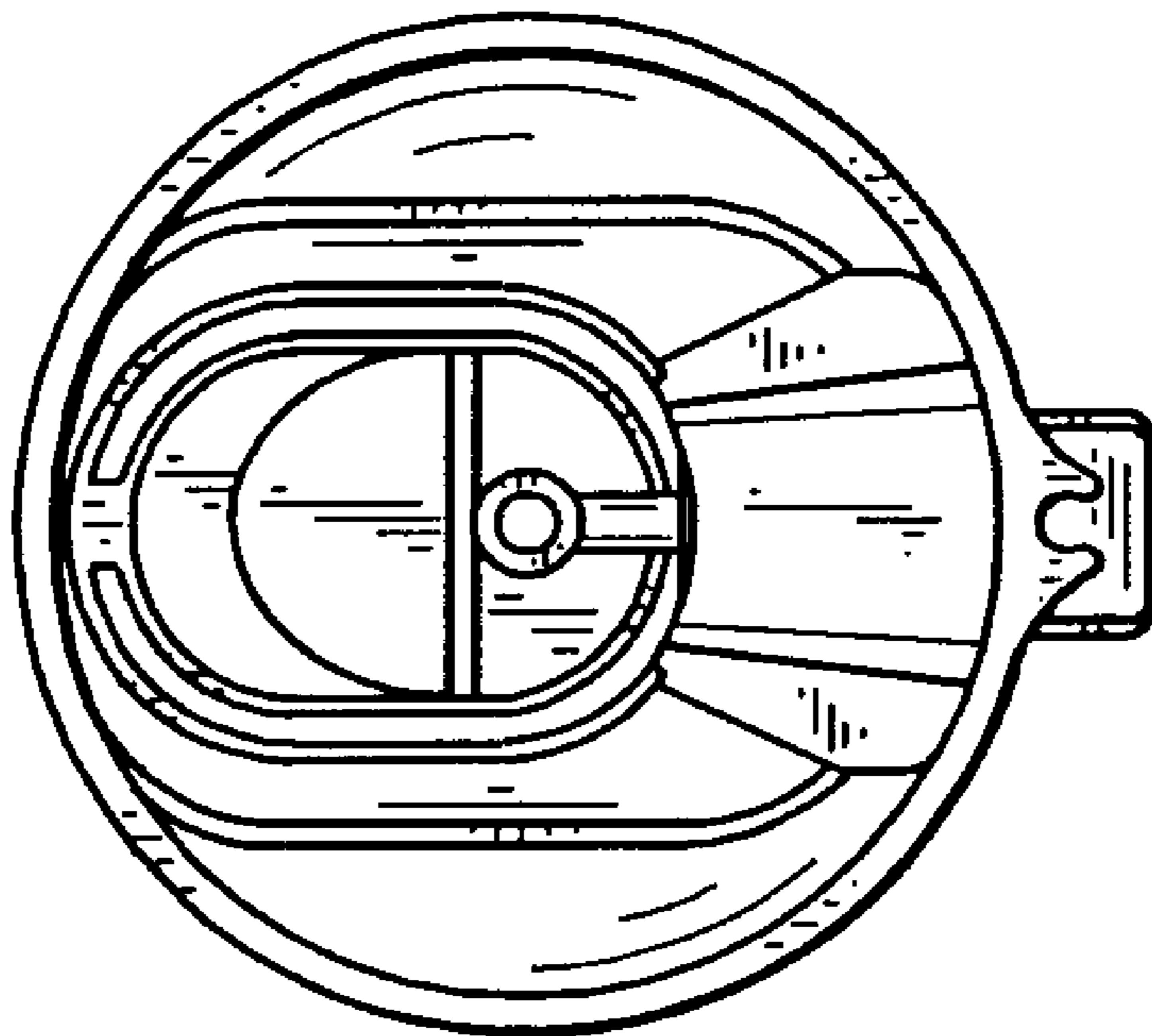


FIG. 6



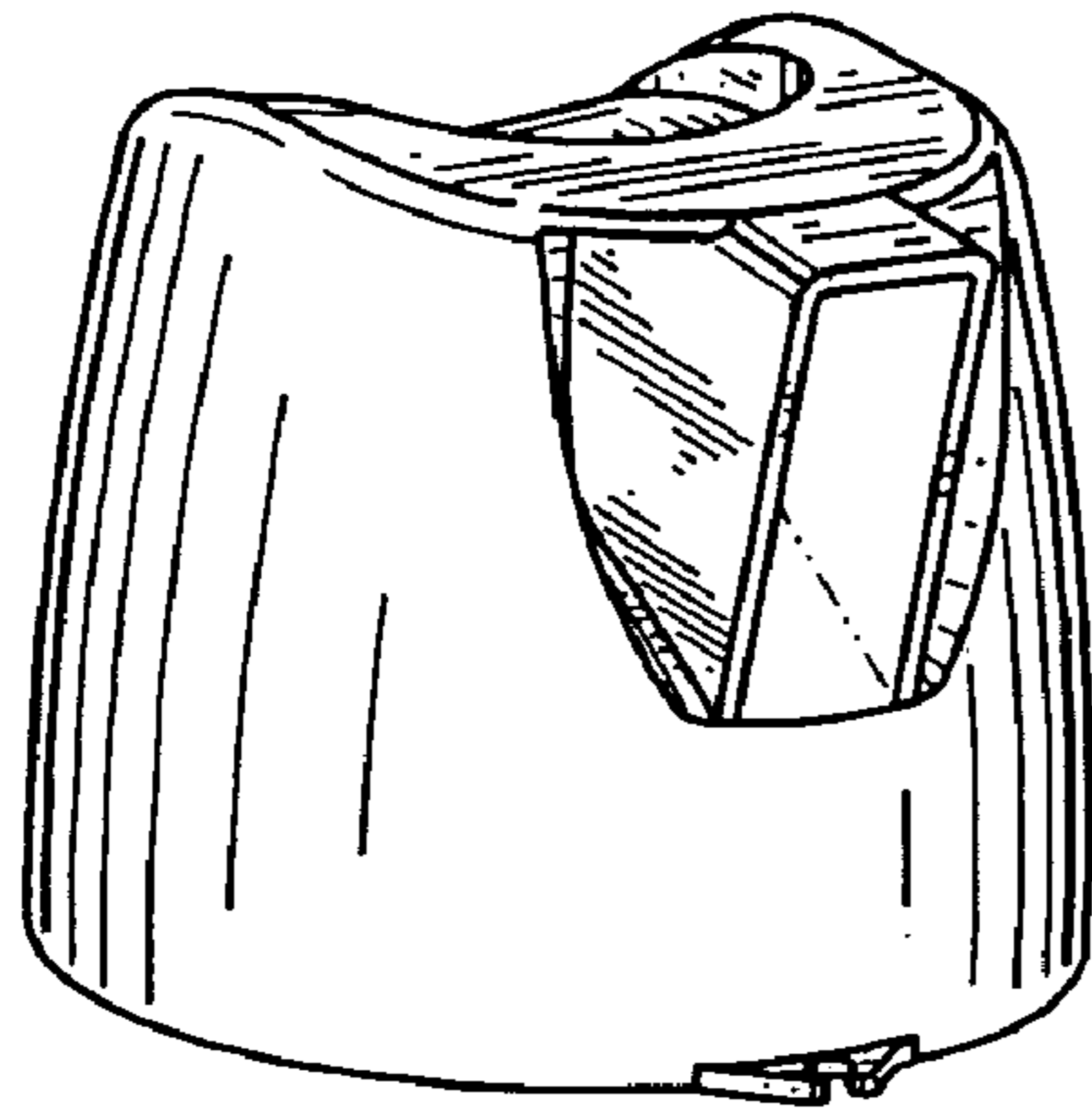


FIG. 7

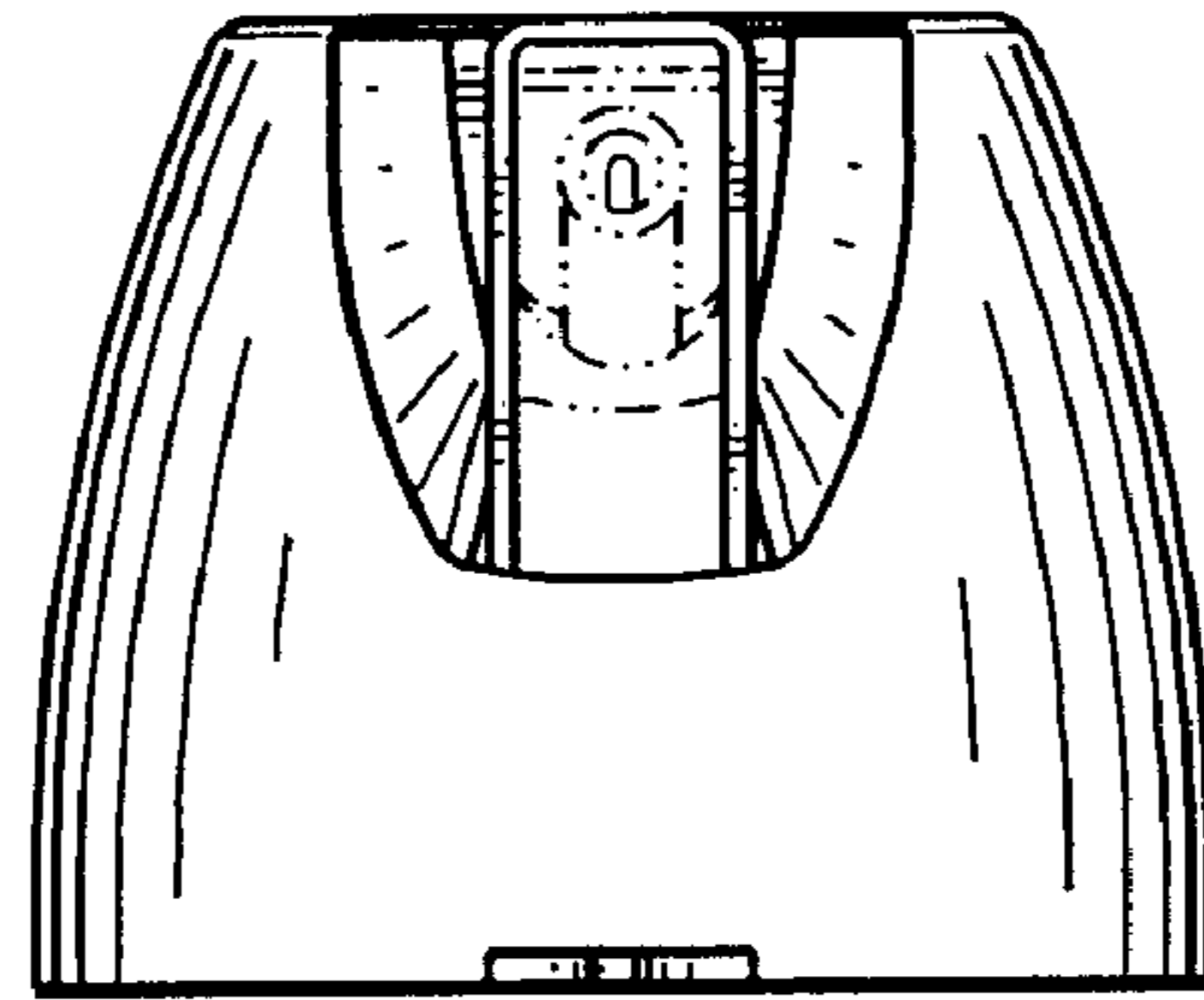


FIG. 8

FIG. 9

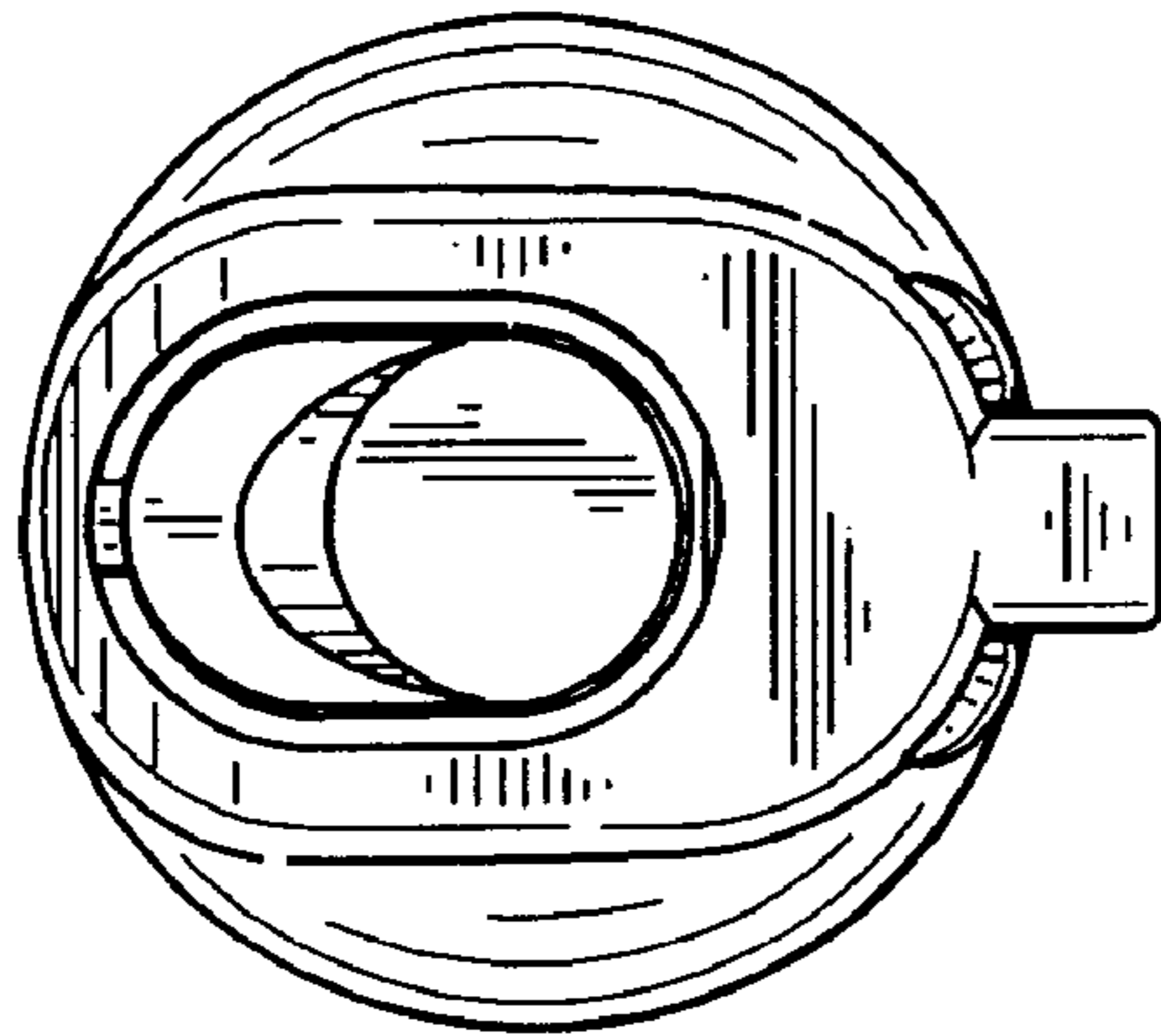


FIG. 10

