



US00D510266S

(12) **United States Design Patent** (10) **Patent No.:** **US D510,266 S**
Walsh et al. (45) **Date of Patent:** **** Oct. 4, 2005**

(54) **SPOUT**

(75) Inventors: **Michael J. Walsh**, Chesterfield, MO (US); **Edward A. Raleigh**, Lodi, WI (US); **Timothy J. Bierman**, Sun Prairie, WI (US); **Scott G. Manke**, Sun Prairie, WI (US)

(73) Assignee: **Masterchem Industries, LLC**, Imperial, MO (US)

(**) Term: **14 Years**

(21) Appl. No.: **29/186,983**

(22) Filed: **Jul. 25, 2003**

(51) **LOC (8) Cl.** **09-07**

(52) **U.S. Cl.** **D9/447; D9/435**

(58) **Field of Search** D9/435, 447, 436; D32/54, 53; 220/694, 695, 697, 698, 733, 570; D7/589, 316, 303; D10/46.2; 222/109, 111

4,014,465 A 3/1977 Ritter
 4,078,700 A 3/1978 Hidding
 D249,646 S 9/1978 Ritter
 4,125,210 A 11/1978 Embree
 D254,482 S * 3/1980 Bell D9/435
 4,225,064 A 9/1980 Westcott
 4,235,348 A 11/1980 Watson
 4,240,568 A 12/1980 Pool
 D258,563 S 3/1981 Romagnoli
 4,491,234 A 1/1985 Wilcock
 4,619,372 A 10/1986 McFarland
 D288,535 S 3/1987 Bozich
 4,669,640 A 6/1987 Ando et al.
 D292,490 S 10/1987 Kowollik et al.
 4,702,395 A 10/1987 Nitsch
 4,736,874 A 4/1988 Durant
 4,771,501 A 9/1988 Leiter
 4,799,306 A 1/1989 Collins et al.
 D302,526 S 8/1989 Ritter
 4,911,319 A 3/1990 DeJean
 4,941,586 A 7/1990 Tarna

(Continued)

Primary Examiner—Robert M. Spear
Assistant Examiner—Susan Bennett Hattan
 (74) *Attorney, Agent, or Firm*—Foley & Lardner LLP

(56) **References Cited**

U.S. PATENT DOCUMENTS

129,303 A 7/1872 Wright
 2,102,057 A 12/1937 Chamberlain
 2,347,401 A 4/1944 Davey
 4,203,537 A 5/1950 McAlister
 2,763,403 A 9/1956 Livingstone
 2,889,079 A 6/1959 Livingstone
 D204,171 S 3/1966 Szajna
 3,300,104 A 1/1967 Burt
 3,323,691 A 6/1967 Ruetz
 3,387,749 A 6/1968 Godshalk et al.
 3,463,366 A 8/1969 Spencer
 3,659,758 A 5/1972 Waterman
 3,695,488 A 10/1972 Olsson
 3,833,150 A 9/1974 Visser-Patings
 3,899,107 A 8/1975 Gaal
 3,942,688 A 3/1976 Pryor et al.
 3,972,453 A 8/1976 Kapples
 3,980,213 A 9/1976 Ramsay
 4,009,802 A 3/1977 Hayduchok

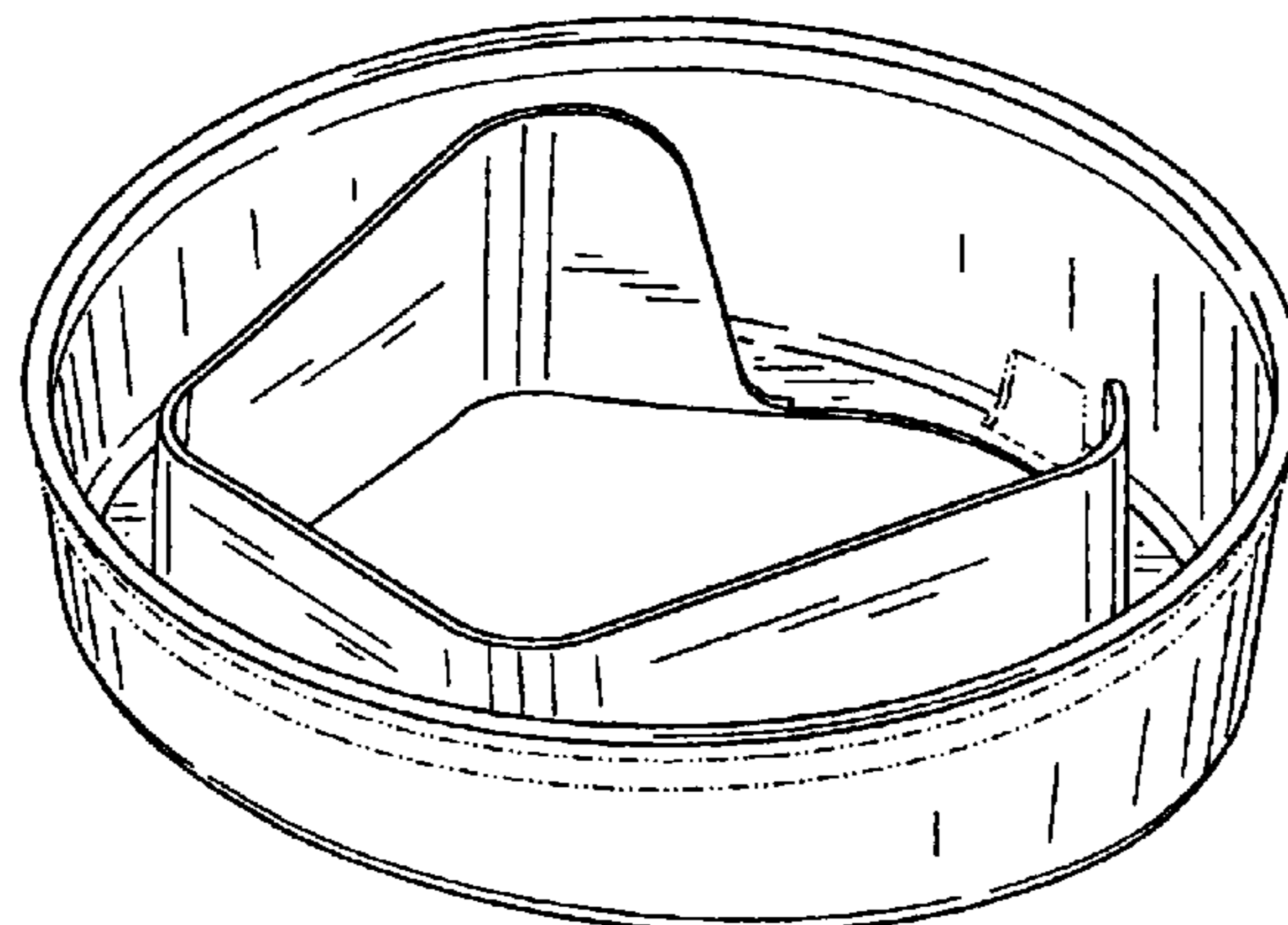
(57) **CLAIM**

We claim the ornamental design for a spout, as shown and described.

DESCRIPTION

FIG. 1 is a perspective view of a spout;
 FIG. 2 is a perspective view of the design of FIG. 1;
 FIG. 3 is a top view of the design of FIG. 1;
 FIG. 4 is a left side view of the design of FIG. 1, the right side view being a mirror image;
 FIG. 5 is a front view of the design of FIG. 1;
 FIG. 6 is a rear view of the design of FIG. 1; and,
 FIG. 7 is a bottom view of the design of FIG. 1.
 The broken lines in the drawings are for illustrative purposes only and form no part of the claimed design.

1 Claim, 4 Drawing Sheets



US D510,266 S

Page 2

U.S. PATENT DOCUMENTS

5,012,960 A	5/1991	Arnold	5,921,448 A	7/1999	Stewart
D321,325 S	11/1991	Petrus	5,927,535 A	7/1999	Goth
D322,221 S	12/1991	Neff	5,941,427 A	8/1999	Speer
D323,115 S	1/1992	Kelsey	5,971,201 A	10/1999	Daw
5,123,576 A	6/1992	Lawrence	D424,440 S	5/2000	Wilkinson et al.
5,158,216 A	10/1992	Viani	D425,792 S	5/2000	Haller
5,195,662 A	3/1993	Neff	6,068,161 A	5/2000	Soehnlén et al.
5,251,788 A	10/1993	Moore	6,085,949 A	7/2000	Zimny et al.
5,269,438 A	12/1993	Kelsey	6,158,632 A	12/2000	Ekkert
D355,854 S	2/1995	Baron et al.	D436,033 S	1/2001	Croft et al.
5,392,969 A	2/1995	Usery	6,189,725 B1	2/2001	Monico
5,435,467 A	7/1995	Ekkert et al.	6,213,338 B1	4/2001	Cogdill
5,443,184 A	8/1995	Broitzman	6,234,364 B1	5/2001	Nybakke et al.
D362,180 S	9/1995	Haines	6,293,692 B1	9/2001	Bowsher et al.
D366,617 S	1/1996	Hotz	6,367,670 B1	4/2002	Warner et al.
5,533,802 A	7/1996	Garganese	D458,844 S *	6/2002	Shea D9/447
5,568,879 A	10/1996	Kovathana	D471,808 S *	3/2003	de Castro Couto D9/435
5,582,315 A	12/1996	Reid	6,530,500 B2	3/2003	Bravo et al.
5,597,090 A	1/1997	Leahy	2002/0195471 A1	12/2002	Nottingham et al.
D379,302 S	5/1997	Rodman	2003/0102339 A1	6/2003	Walsh et al.
5,626,298 A	5/1997	Arnoldy	2003/0102340 A1	6/2003	Walsh et al.
5,810,196 A	9/1998	Lundy	2003/0111489 A1	6/2003	Bravo et al.
5,855,304 A	1/1999	Dean et al.	2003/0121941 A1	7/2003	Walsh et al.
5,890,628 A	4/1999	Simpson et al.			

* cited by examiner

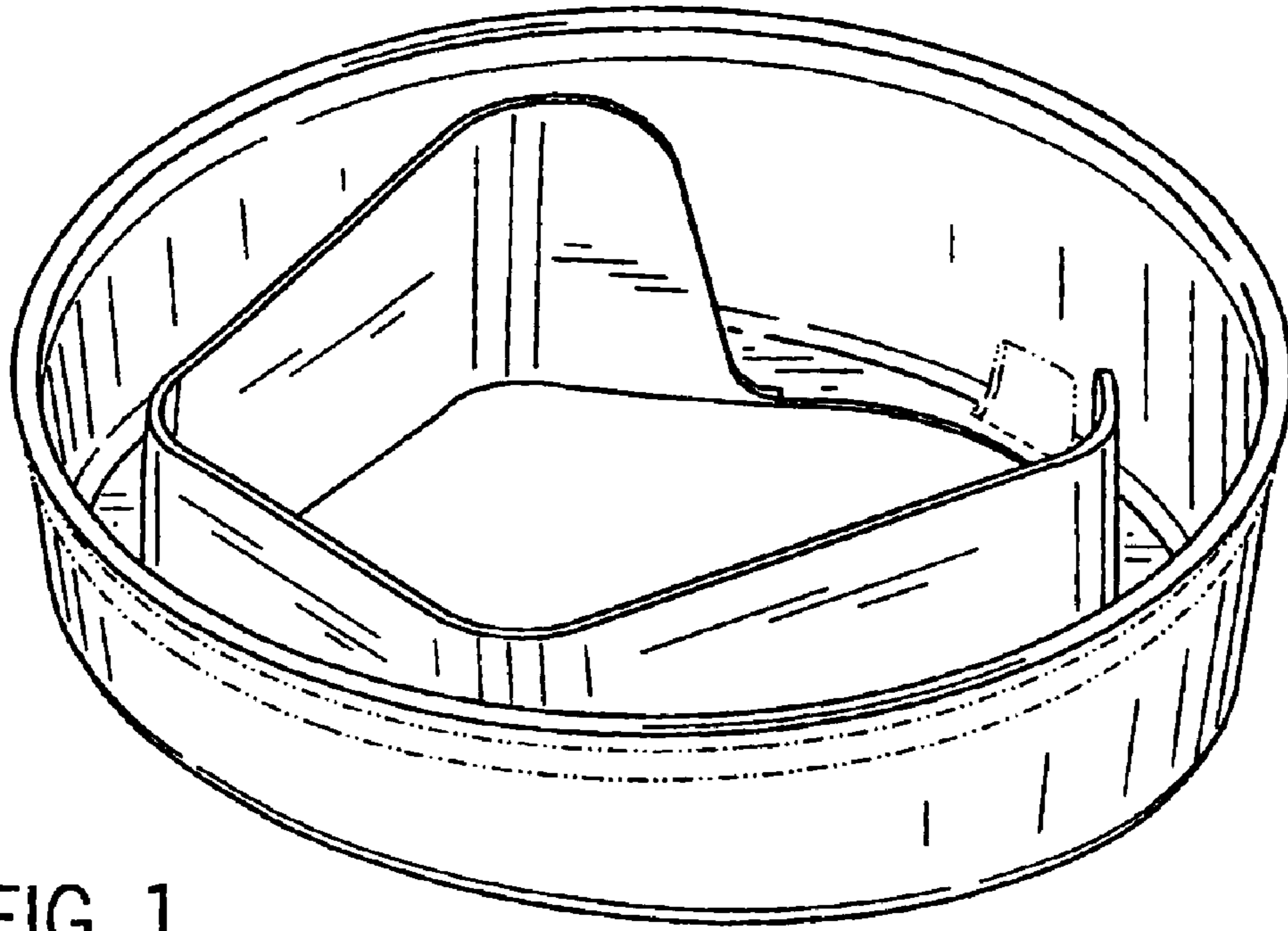


FIG. 1

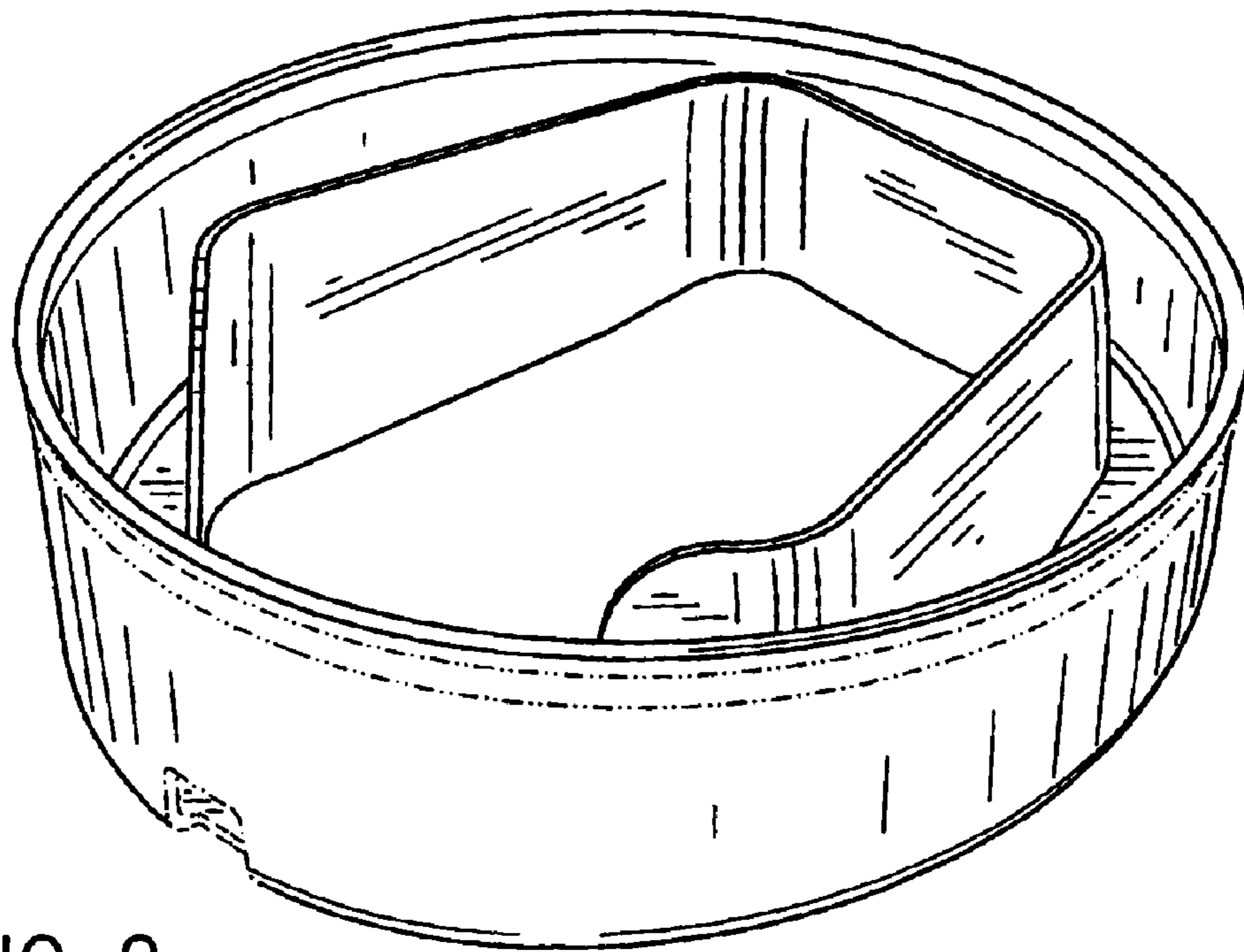


FIG. 2

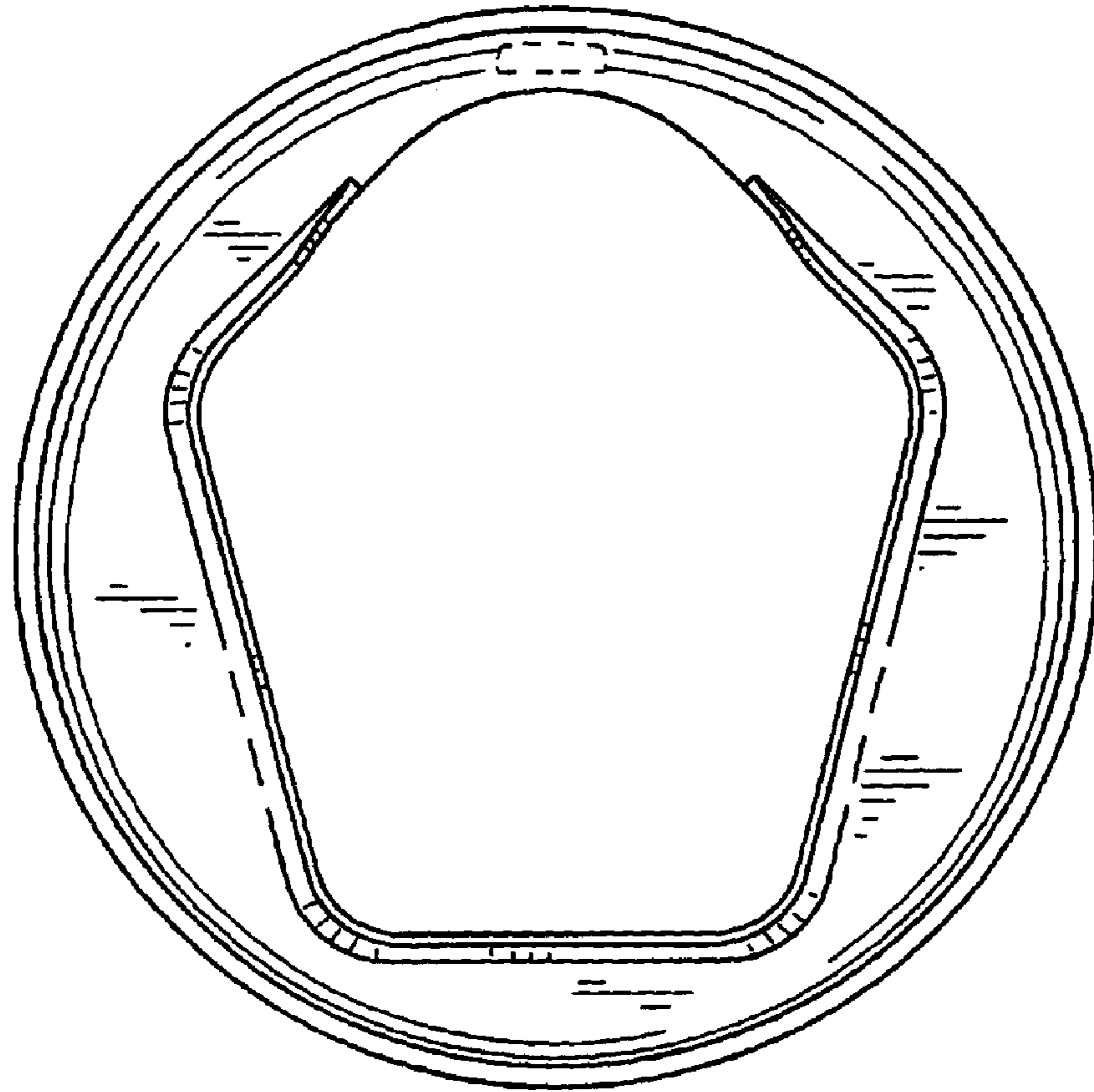


FIG. 3

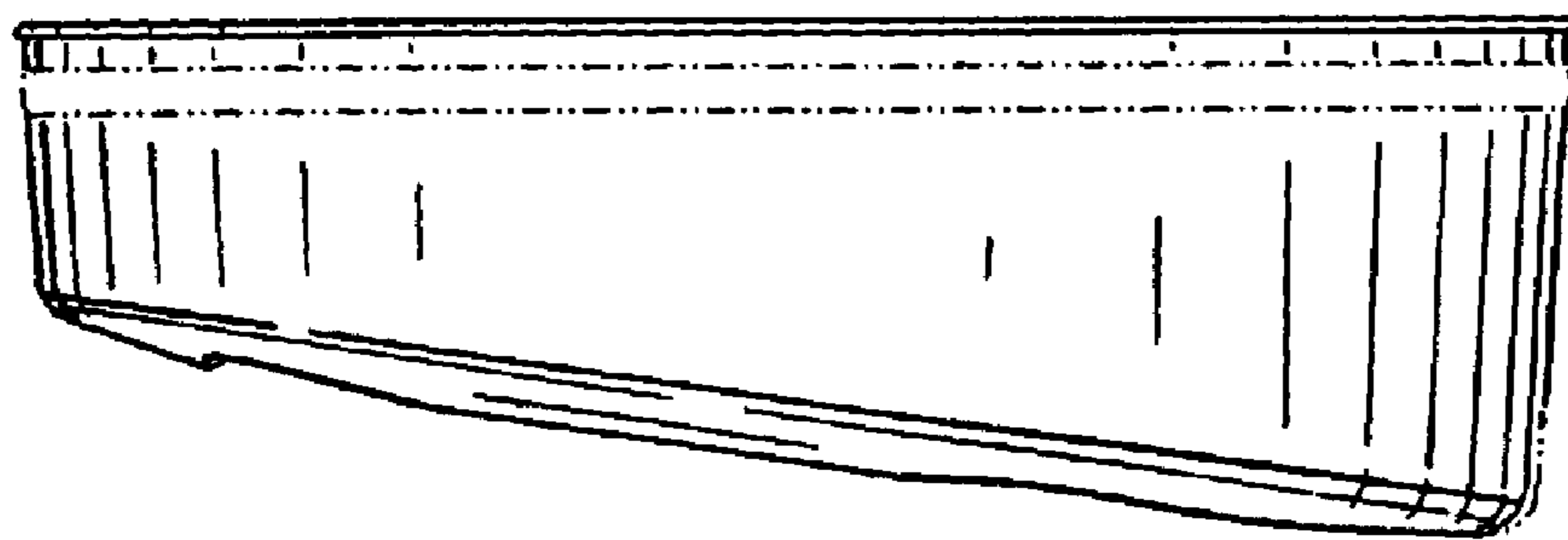


FIG. 4

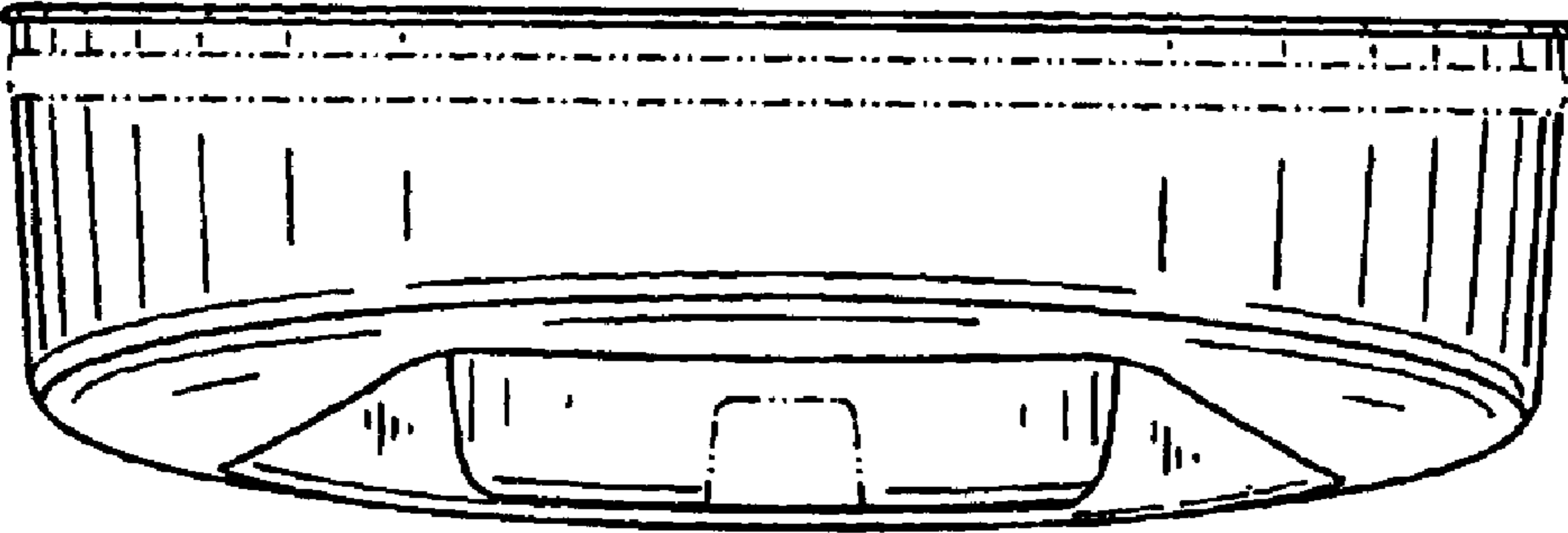


FIG. 5

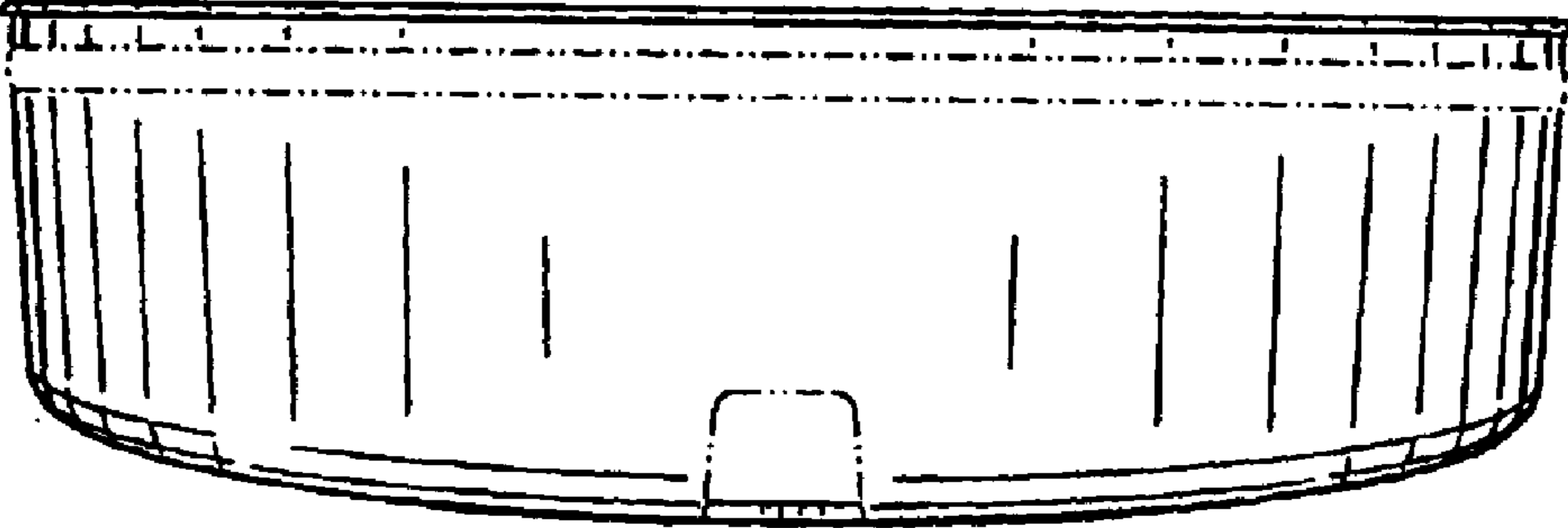


FIG. 6

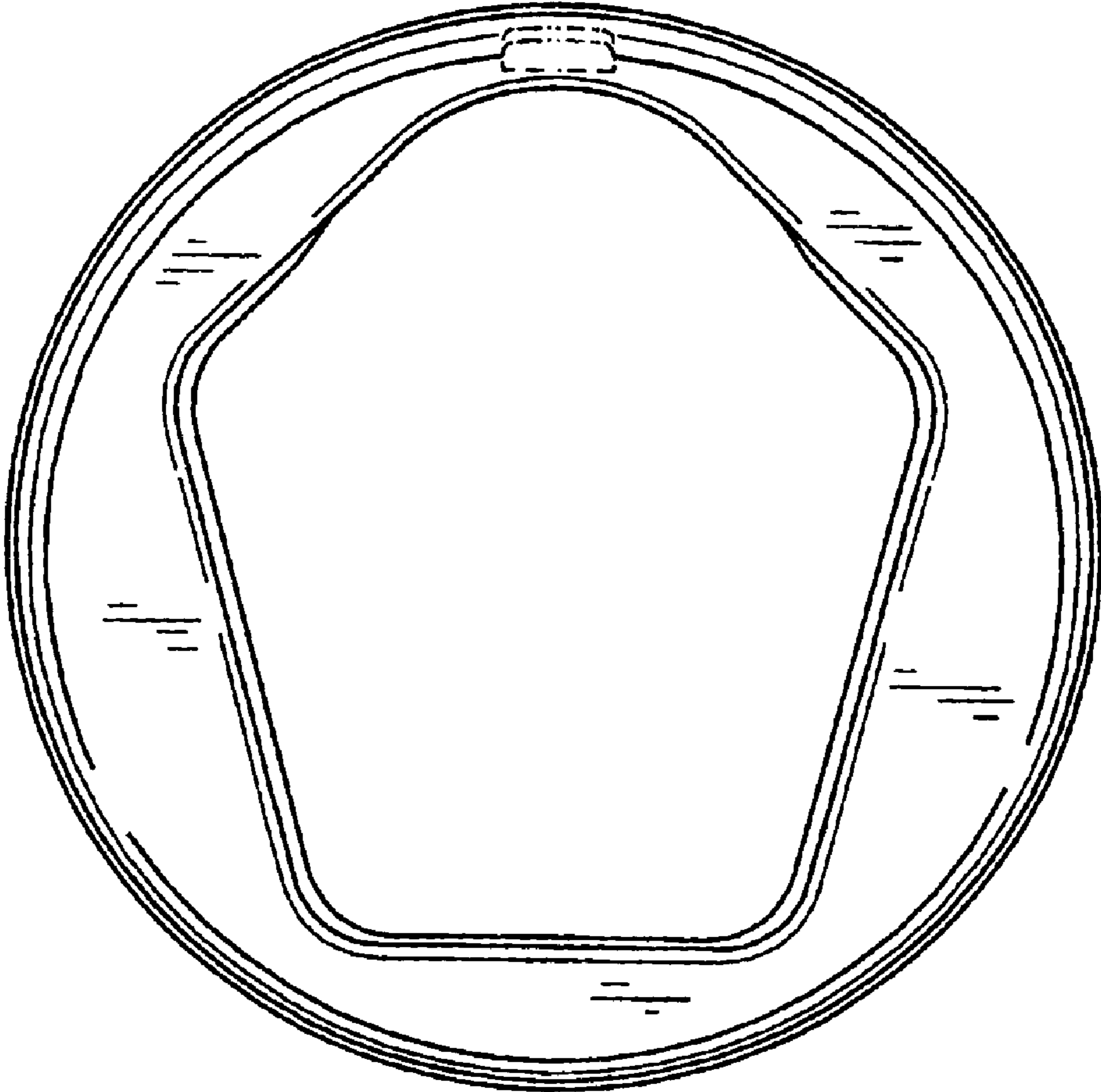


FIG. 7