



US00D510263S

(12) **United States Design Patent**  
**Isono et al.**

(10) **Patent No.: US D510,263 S**  
(45) **Date of Patent: \*\* Oct. 4, 2005**

(54) **PACKAGE**  
(75) Inventors: **Makoto Isono, Ashiya (JP); Nobuyuki Kitamura, Yawata (JP); Motoki Tamura, Takatsuki (JP)**

D349,456 S \* 8/1994 Wilson ..... 206/541  
D353,997 S \* 1/1995 Kashino et al. .... D9/425  
5,390,817 A \* 2/1995 Rosen ..... 220/669  
D430,023 S \* 8/2000 Shurtleff et al. .... D9/425  
D435,443 S \* 12/2000 Maeda et al. .... D9/425  
D440,874 S \* 4/2001 Shurtleff et al. .... D9/425

(73) Assignee: **The Procter & Gamble Company, Cincinnati, OH (US)**

\* cited by examiner

(\*\*) Term: **14 Years**

*Primary Examiner*—Prabhakar Deshmukh  
(74) *Attorney, Agent, or Firm*—Brent M. Peebles; Kim William Zerby; Steven W. Miller

(21) Appl. No.: **29/221,465**

(57) **CLAIM**

(22) Filed: **Jan. 14, 2005**

The ornamental design for a package, as shown and described.

(51) **LOC (8) Cl.** ..... **09-07**

(52) **U.S. Cl.** ..... **D9/425; D9/424; D9/416**

(58) **Field of Search** ..... D9/420–425, 416, D9/414, 430, 431; D7/629, 601; 220/241, 242, 780, 781, 783, 376, 380, 657, 659, 669, 675, 556; 229/406, 407, 938, 939

**DESCRIPTION**

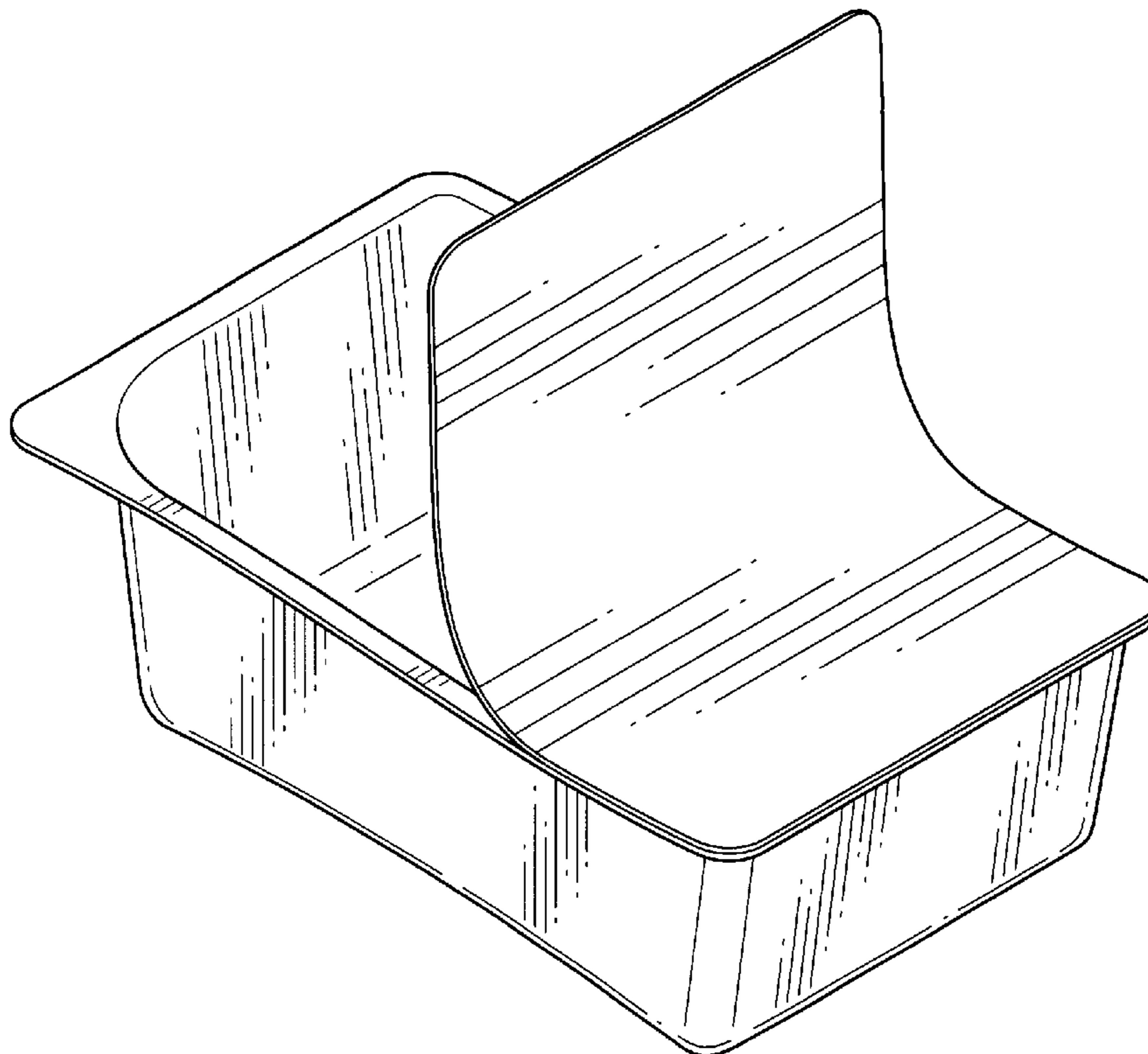
FIG. 1 is a perspective view of a package, embodying our new design;  
FIG. 2 is a front view thereof;  
FIG. 3 is a back view thereof,  
FIG. 4 is a right side view thereof,  
FIG. 5 is a left side view thereof;  
FIG. 6 is a top plan view thereof;  
FIG. 7 is a bottom view thereof; and,  
FIG. 8 is a perspective view thereof, with top cover shown in partially open position.

(56) **References Cited**

**U.S. PATENT DOCUMENTS**

3,154,215 A \* 10/1964 Le Vesconte ..... 206/518  
3,344,974 A \* 10/1967 Bostrom ..... 229/123.1  
D296,191 S \* 6/1988 Yoshida et al. .... D9/425  
4,946,038 A \* 8/1990 Eaton ..... 206/528  
D334,536 S \* 4/1993 Long et al. .... D9/425  
5,236,119 A \* 8/1993 Chu ..... 229/407

**1 Claim, 5 Drawing Sheets**



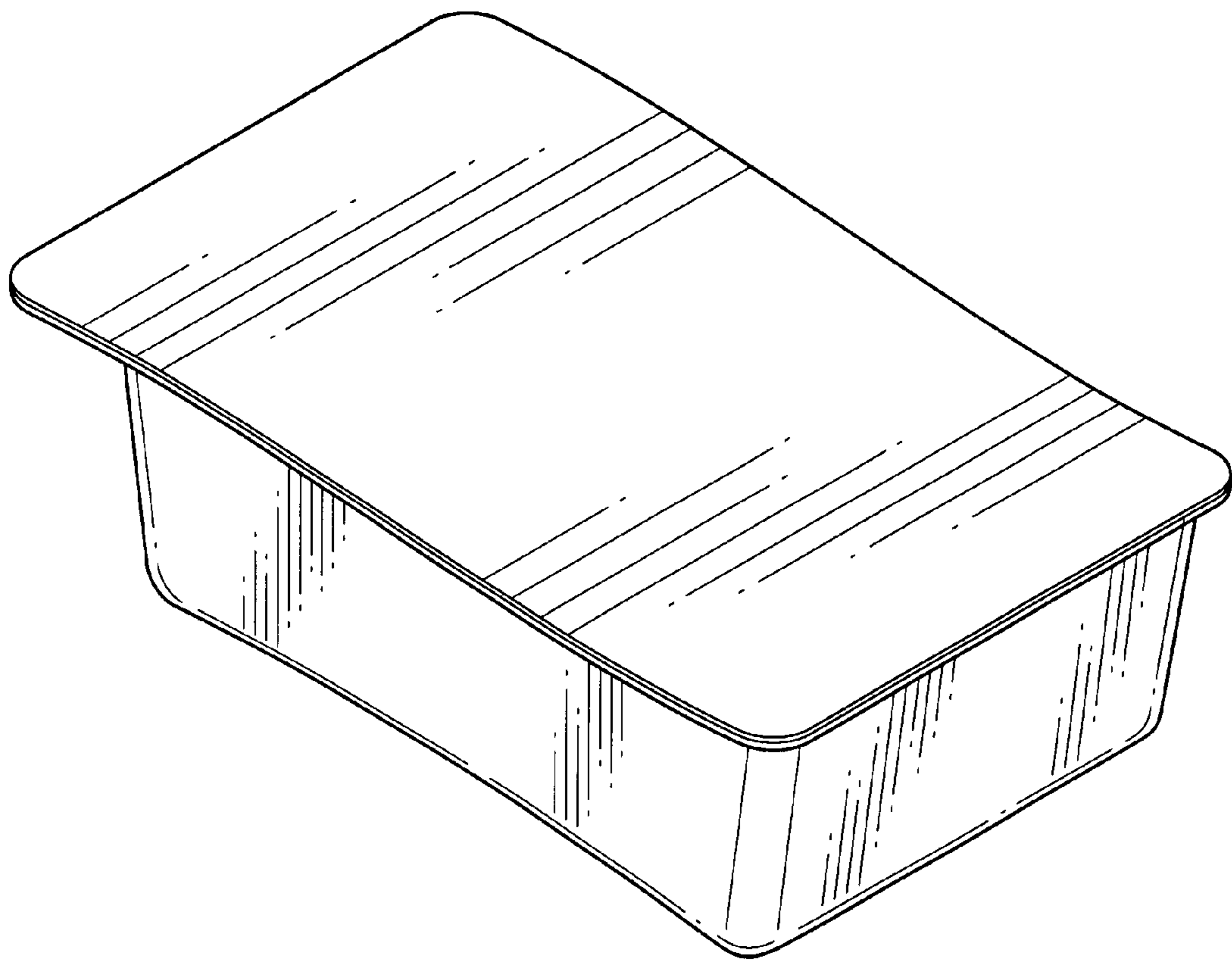


Fig. 1

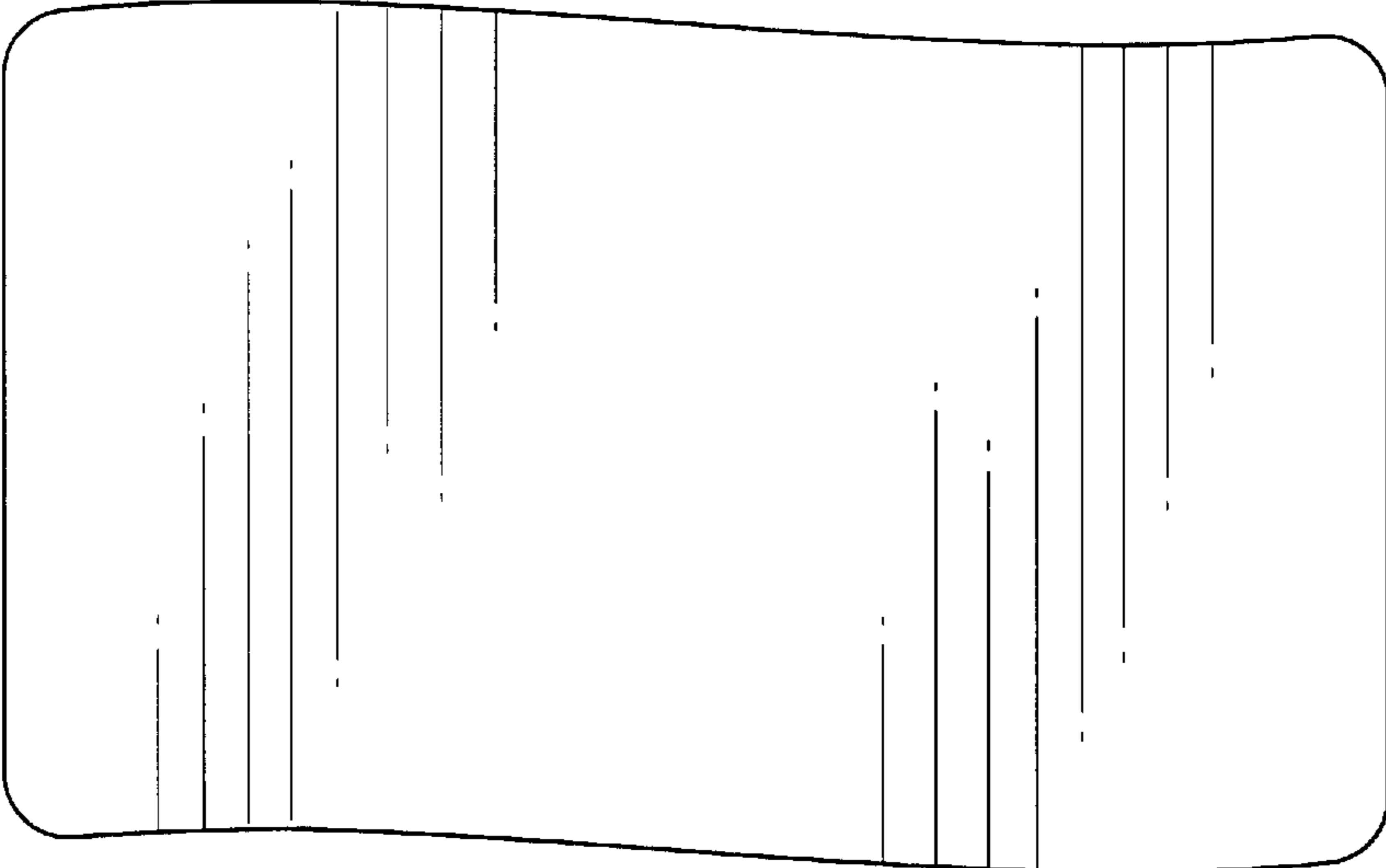


Fig. 2

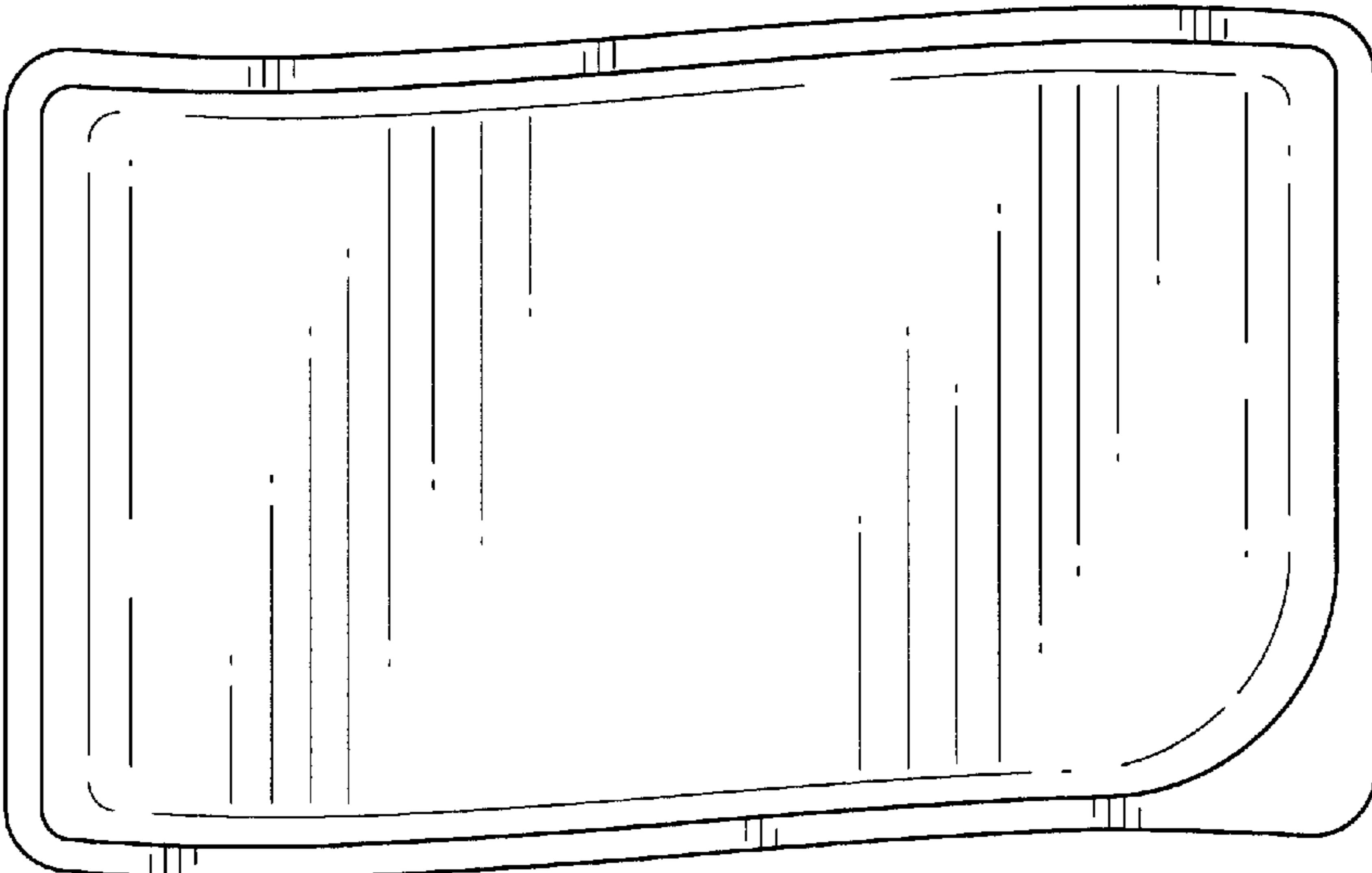


Fig. 3

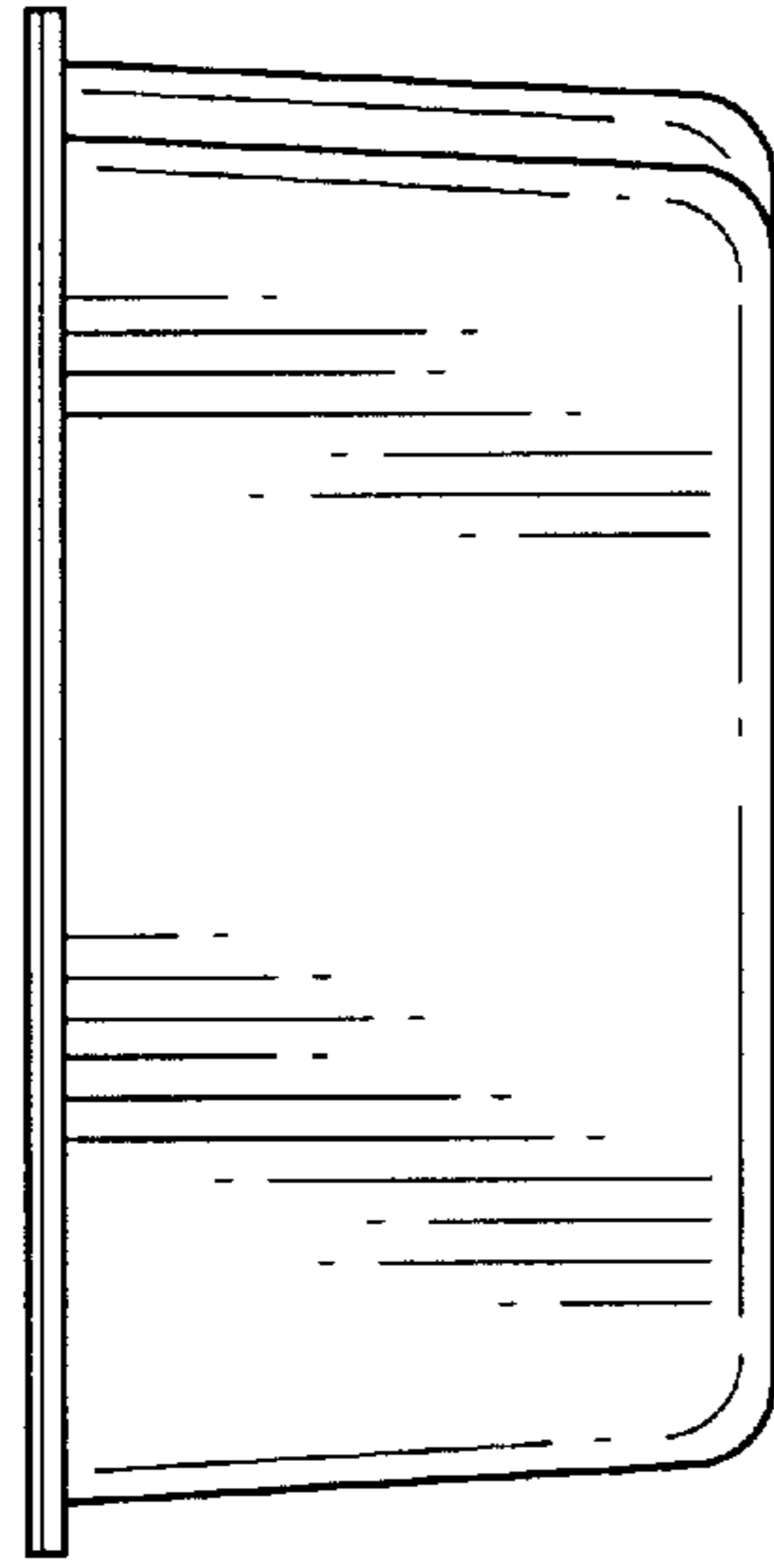


Fig. 4

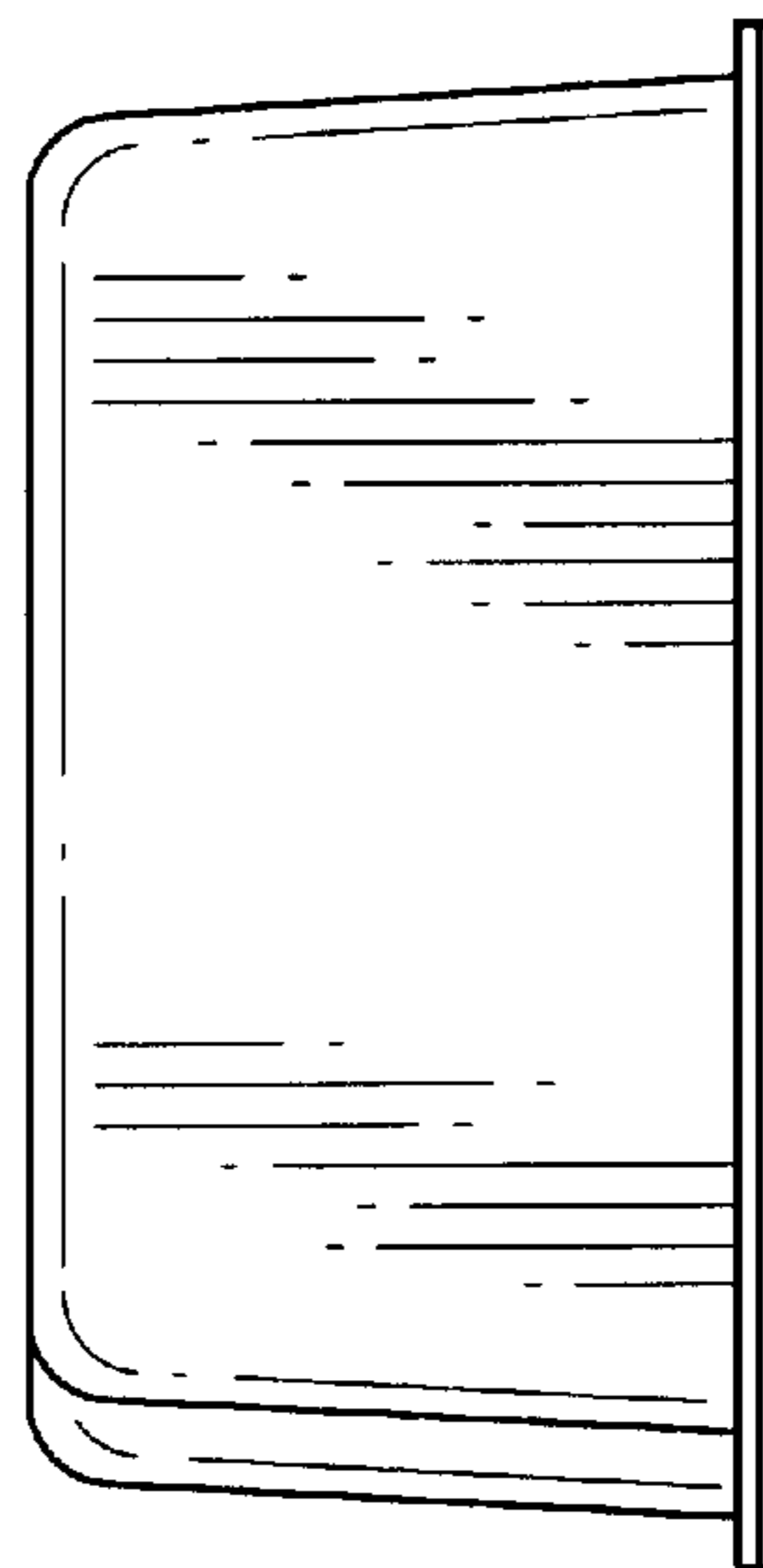


Fig. 5

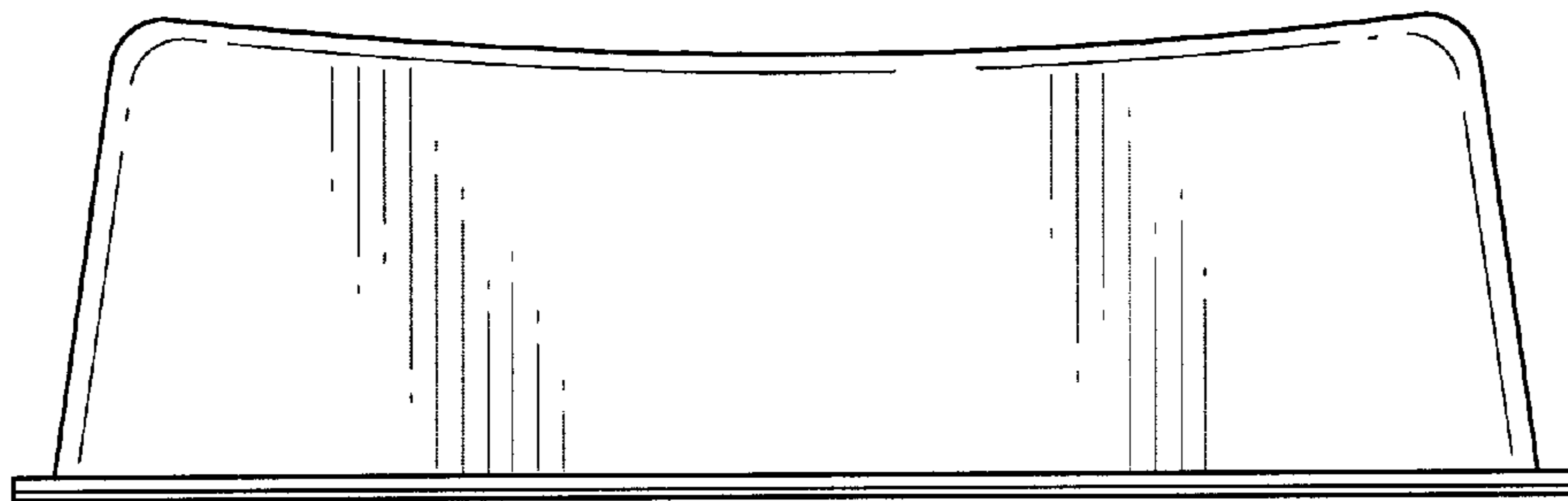


Fig. 6

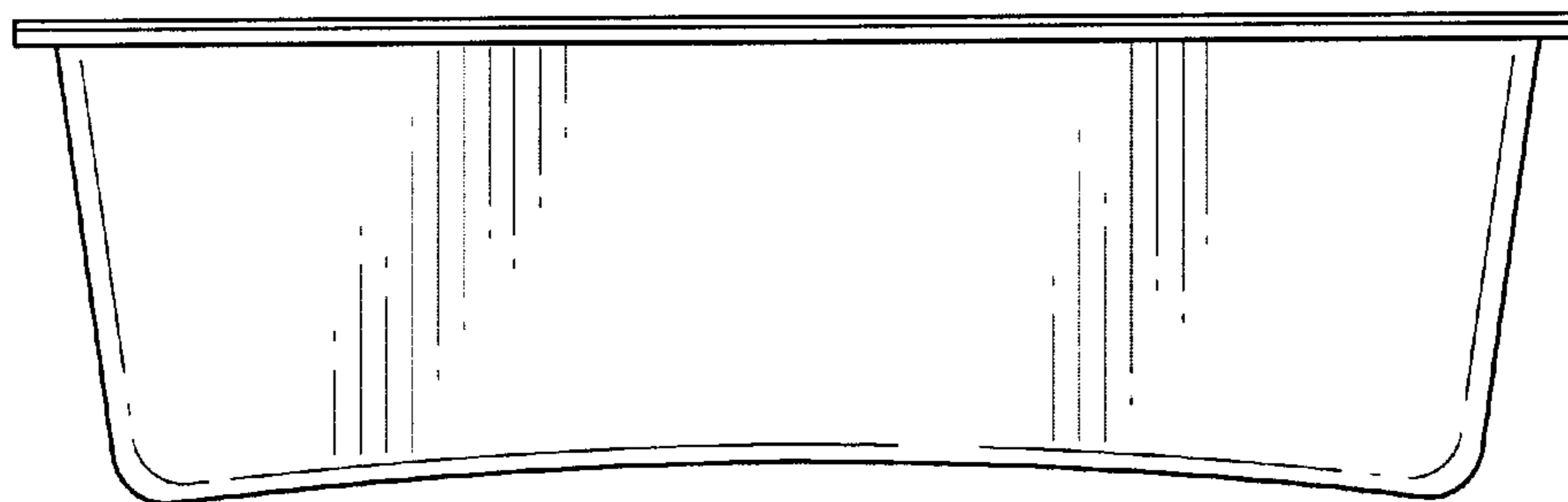


Fig. 7

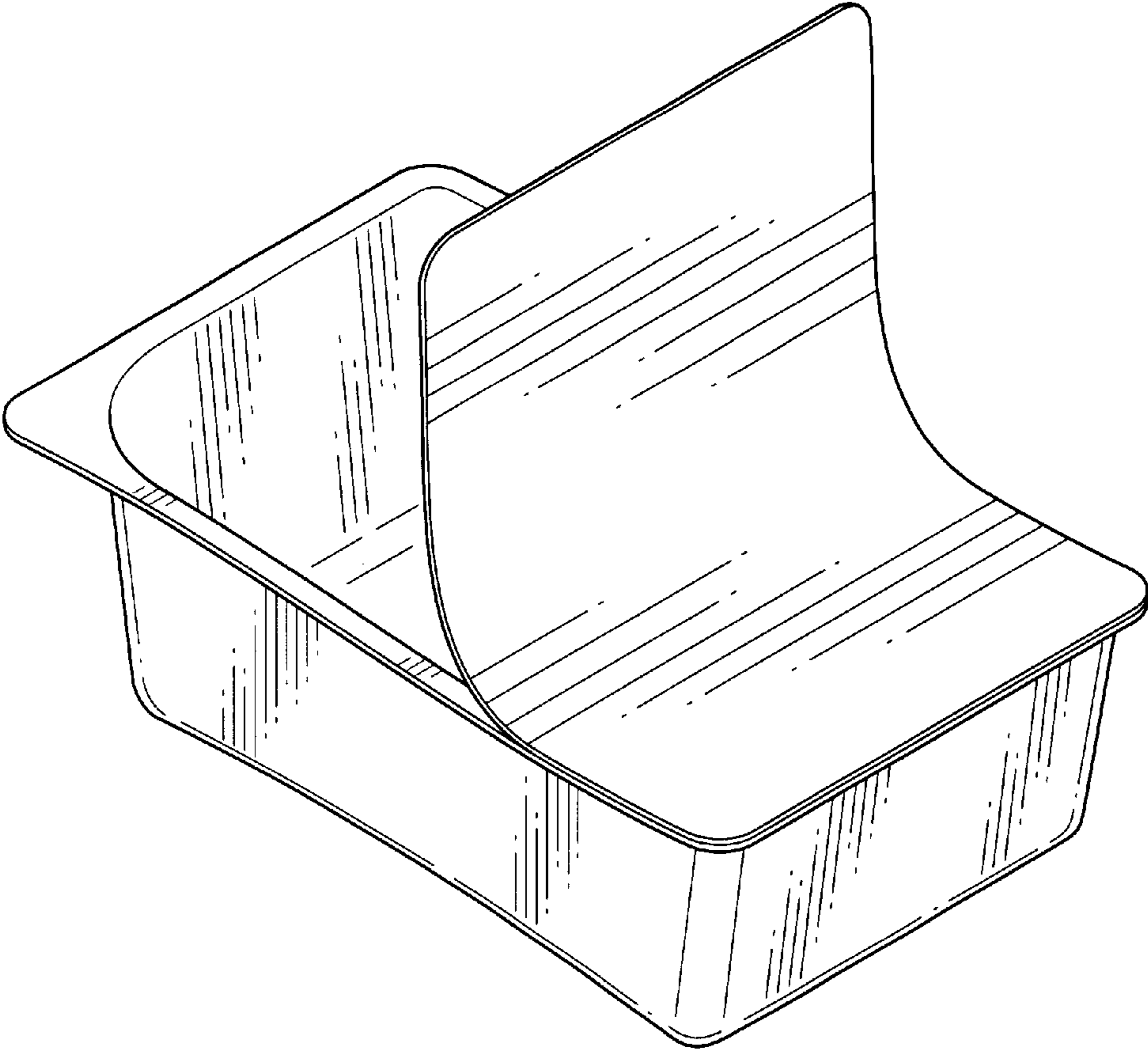


Fig. 8