



US00D510258S

(12) **United States Design Patent**  
**Glass et al.**

(10) **Patent No.: US D510,258 S**  
(45) **Date of Patent: \*\* Oct. 4, 2005**

(54) **HANGER**

D480,583 S 10/2003 Risdall

(75) Inventors: **Peter Glass**, Arroyo Grande, CA (US);  
**Robert Faulk**, Torrance, CA (US)

(73) Assignee: **Virco Mgmt. Corporation**, Torrance,  
CA (US)

(\*\*) Term: **14 Years**

(21) Appl. No.: **29/193,747**

(22) Filed: **Nov. 12, 2003**

(51) **LOC (8) Cl. .... 08-05**

(52) **U.S. Cl. .... D8/373**

(58) **Field of Search** ..... D8/367, 373, 370,  
D8/363; D6/566; 248/205.4, 217.3, 302-303;  
211/70.5, 87.01, 13.1

(56) **References Cited**

**U.S. PATENT DOCUMENTS**

D392,826 S	*	3/1998	Paikos et al. ....	D6/566
5,836,646 A		11/1998	Salehi et al. ....	297/188.04
D406,485 S	*	3/1999	Paikos et al. ....	D6/566
5,961,181 A		10/1999	Salehi et al. ....	297/188.04

**OTHER PUBLICATIONS**

Artco-Bell Corporation, "Furniture to Enhance Education,"  
Catalog, Ergonomics, Uniflex Series, pp. 1, 7, 27, Culver-  
Newlin Inc., 840 Wanamaker Ave., Ontario CA 91761.

\* cited by examiner

*Primary Examiner*—Holly Baynham

(74) *Attorney, Agent, or Firm*—Dehton L. Anderson;  
Sheldon & Mak; Robert M. Hupe

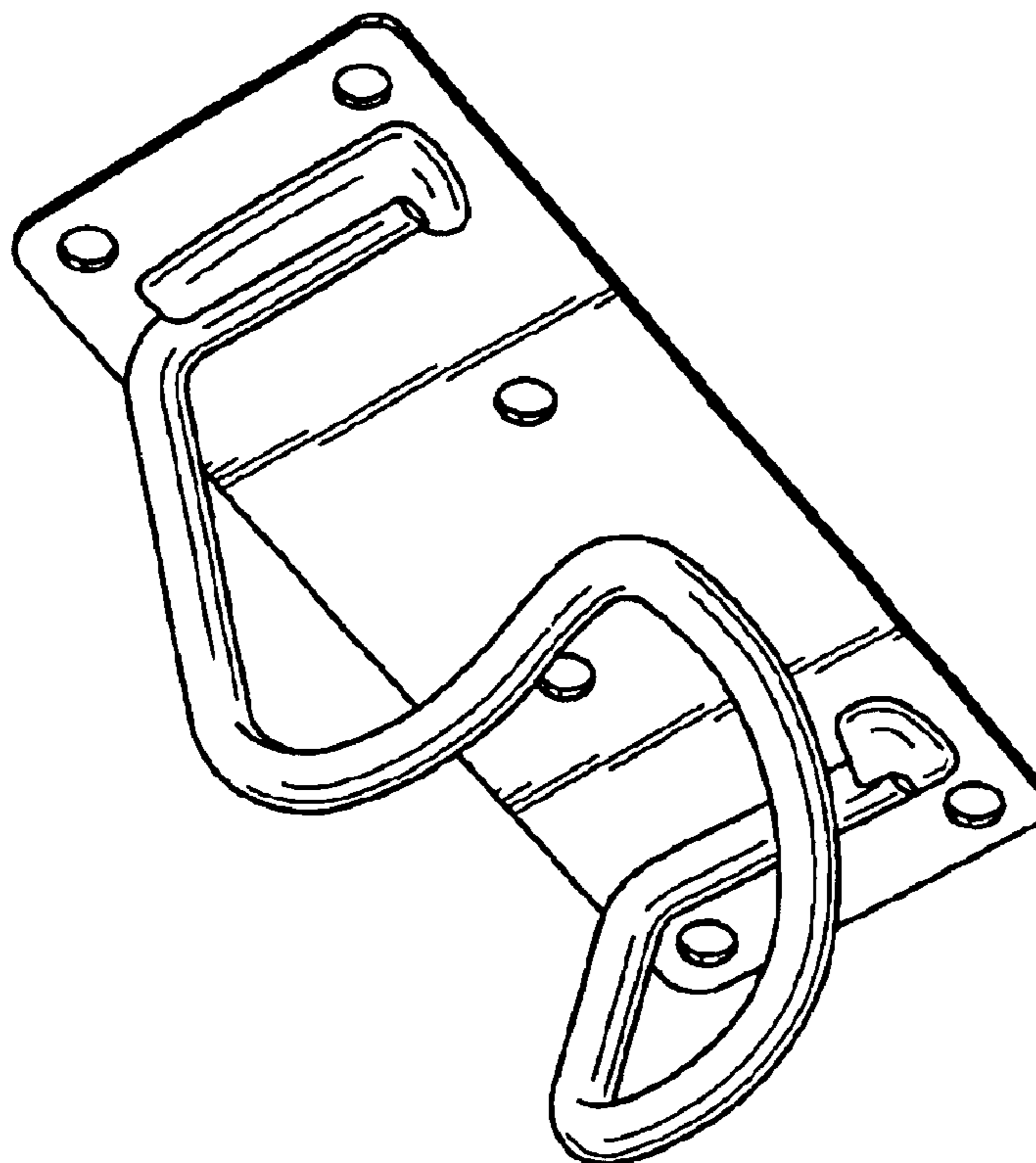
(57) **CLAIM**

The ornamental design for a hanger, as shown and described.

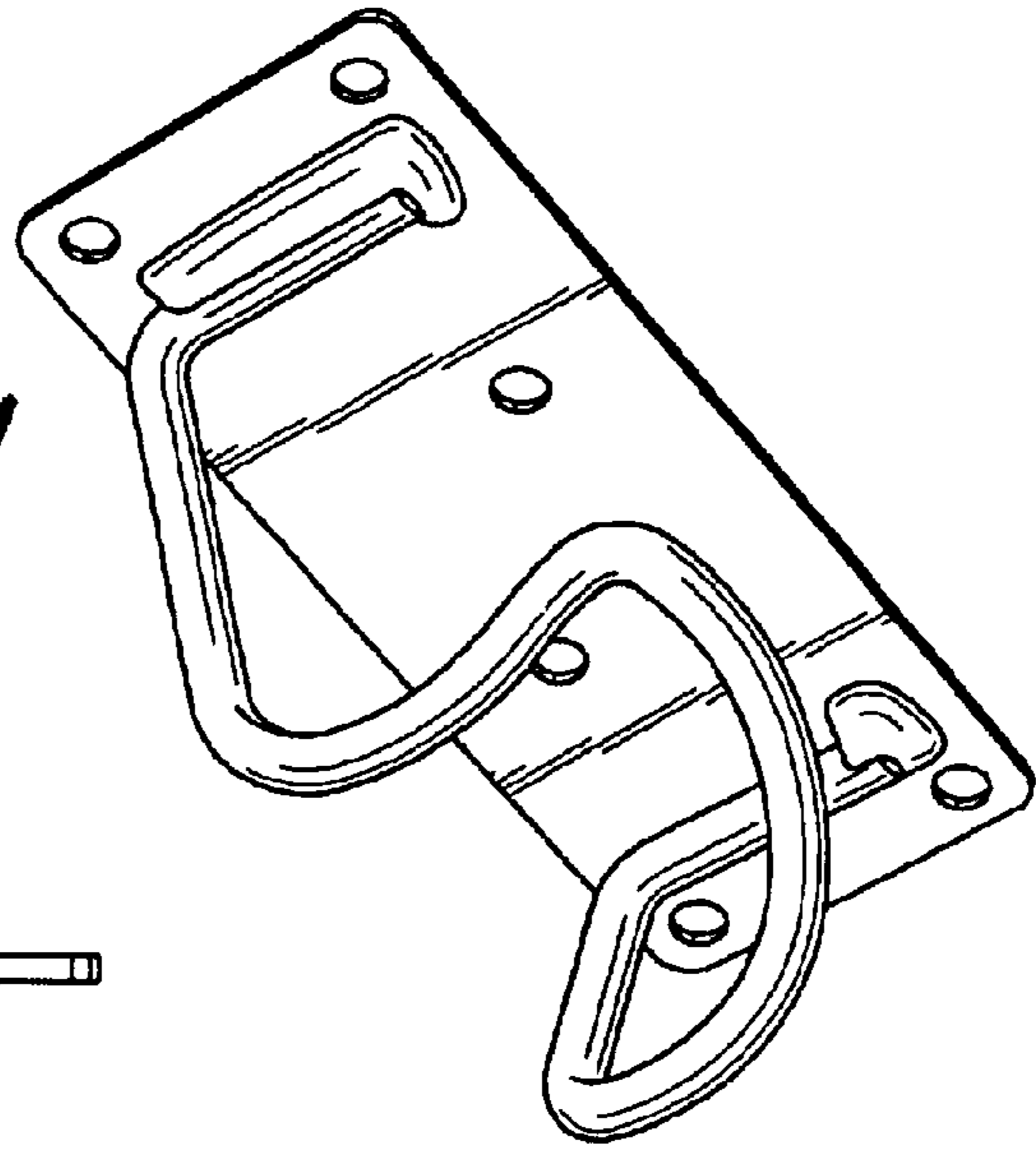
**DESCRIPTION**

FIG. 1 is a perspective view of the hanger of the invention;  
FIG. 2 is a front view of the hanger illustrated in FIG. 1;  
FIG. 3 is a side view of the hanger illustrated in FIG. 1;  
FIG. 4 is a bottom view of the hanger illustrated in FIG. 1;  
FIG. 5 is a top view of the hanger illustrated in FIG. 1; and,  
FIG. 6 is a rear view of the hanger illustrated in FIG. 1.

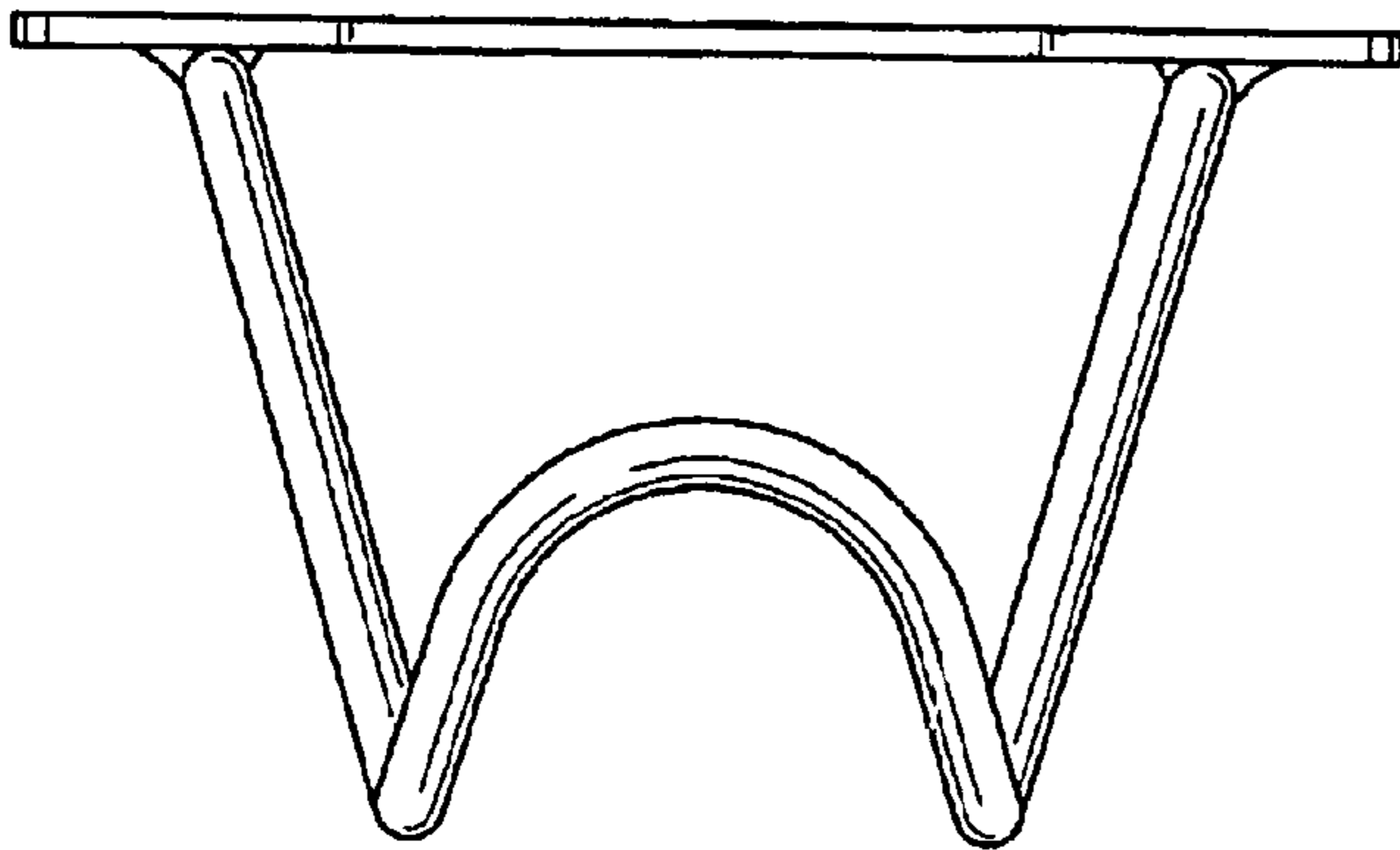
**1 Claim, 2 Drawing Sheets**



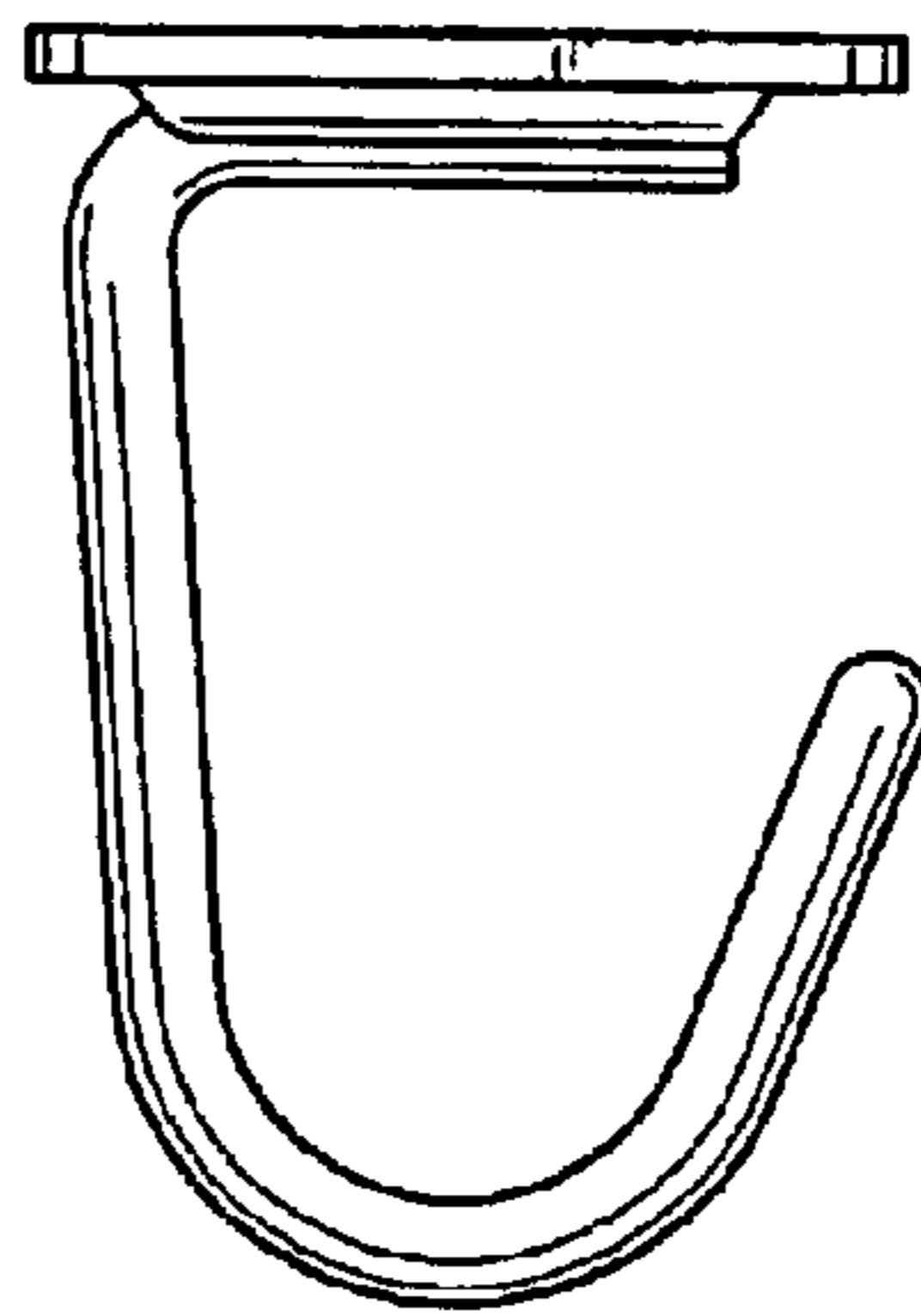
*FIG. 1*



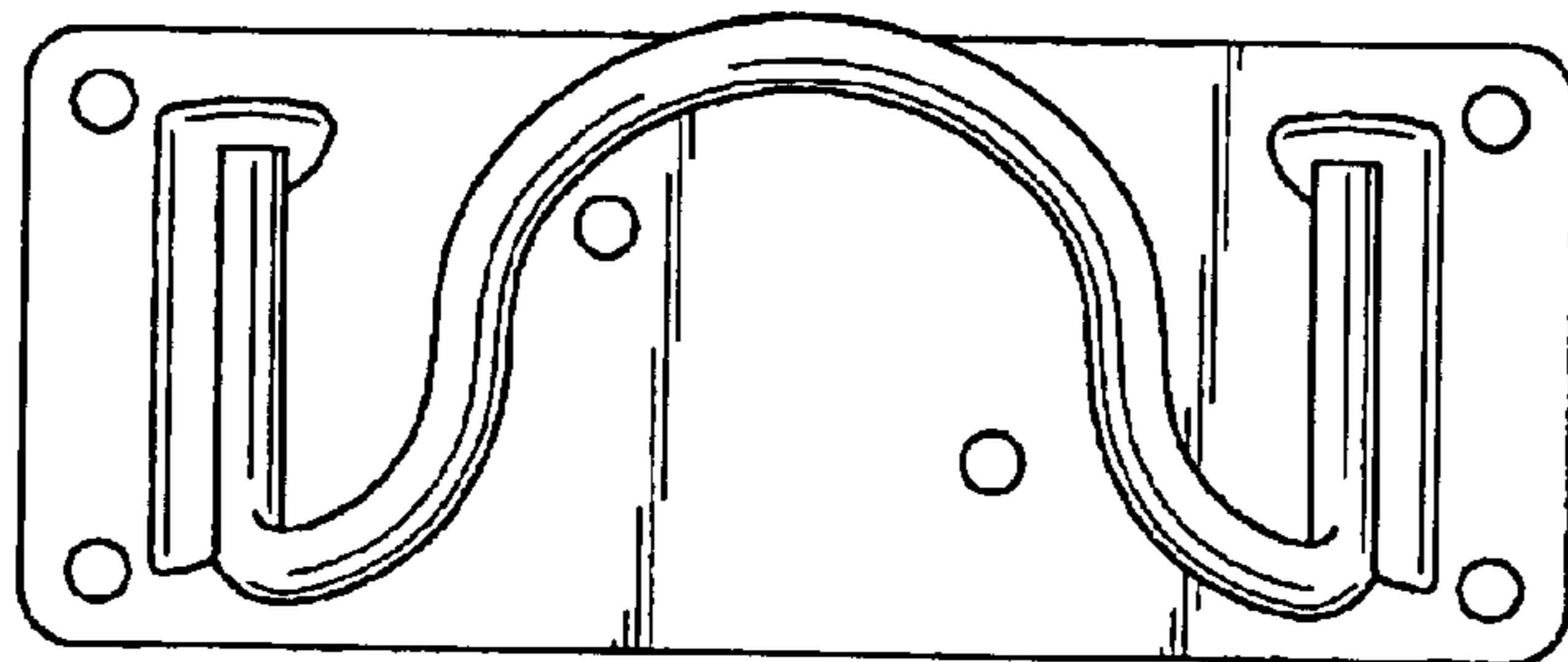
*FIG. 2*

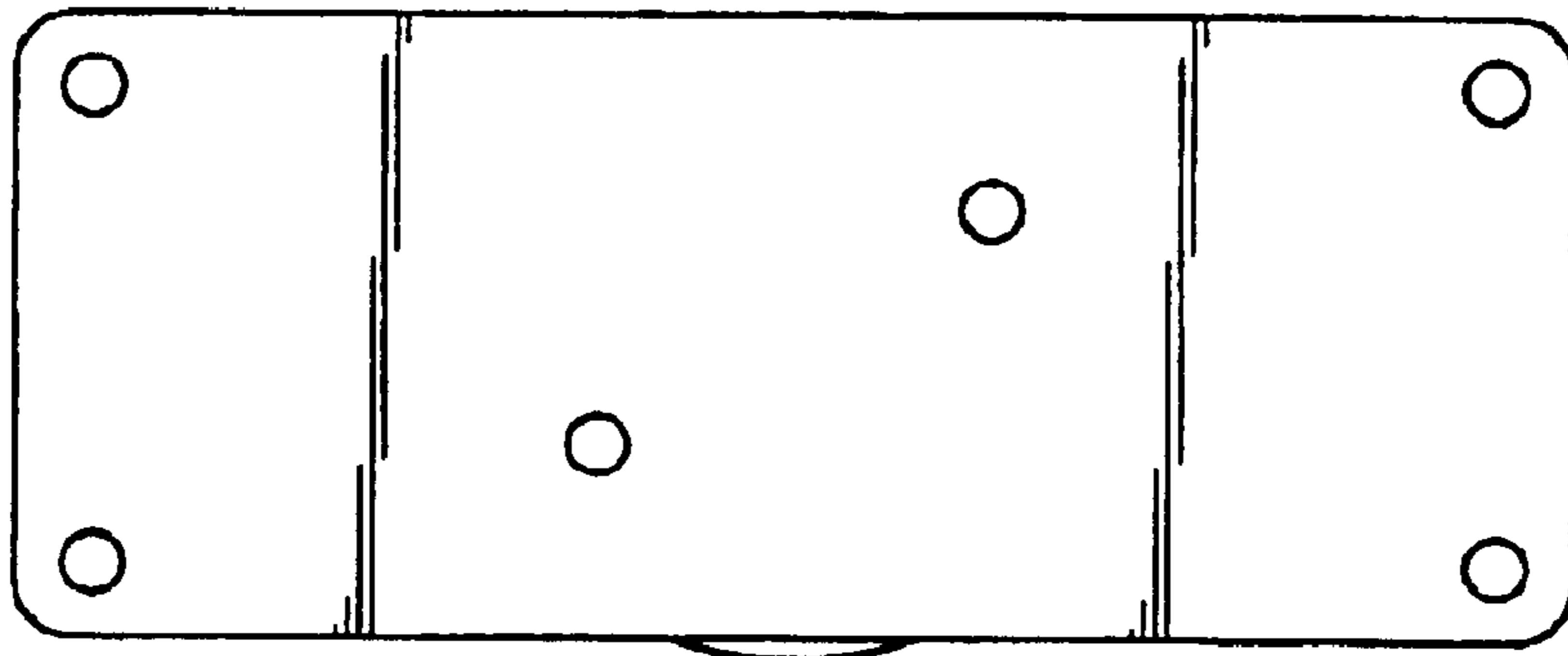


*FIG. 3*

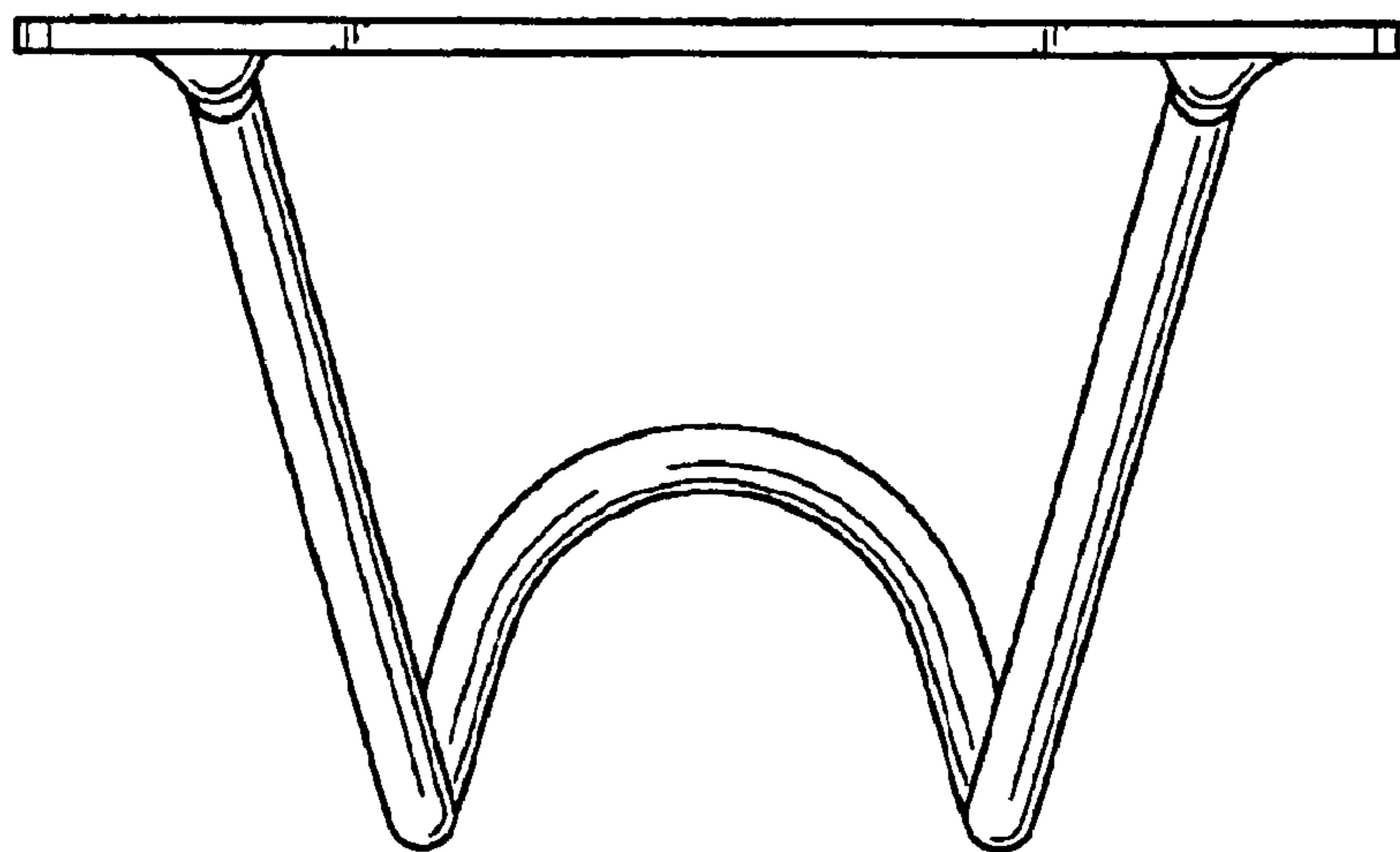


*FIG. 4*





*FIG. 5*



*FIG. 6*