



US00D510257S

(12) **United States Design Patent**  
**Marty et al.**

(10) **Patent No.: US D510,257 S**  
(45) **Date of Patent: \*\* Oct. 4, 2005**

- (54) **RETAINER CLIP**
- (75) Inventors: **Garry Marty**, Fishers, IN (US);  
**Darrell S. Crowe**, Lebanon, IN (US)
- (73) Assignee: **Masco Corporation of Indiana**,  
Indianapolis, IN (US)
- (\*\*) Term: **14 Years**
- (21) Appl. No.: **29/198,522**
- (22) Filed: **Jan. 30, 2004**
- (51) **LOC (8) Cl. .... 08-08**
- (52) **U.S. Cl. .... D8/356**
- (58) **Field of Search .... D8/356, 354, 349,**  
D8/373, 380, 384, 394; 220/23.4; 248/68.1,  
69, 49, 58, 62, 63, 65; 174/71 R; 294/33;  
D7/633; D24/128; D25/99

- D333,421 S \* 2/1993 Patti ..... D8/356
- 6,311,936 B1 \* 11/2001 Herr et al. .... 248/75
- D483,654 S \* 12/2003 Taylor ..... D8/356
- D484,783 S \* 1/2004 Woodhall ..... D8/356
- D487,482 S \* 3/2004 Disher ..... D7/633
- D491,442 S \* 6/2004 Cordero et al. .... D8/354

\* cited by examiner

*Primary Examiner*—Ruth McInroy  
*Assistant Examiner*—Terrence Huang  
(74) *Attorney, Agent, or Firm*—Kwadjo Adusei-Poku;  
Lloyd D. Doigan

(57) **CLAIM**

The ornamental design for a retainer clip, as shown and described.

**DESCRIPTION**

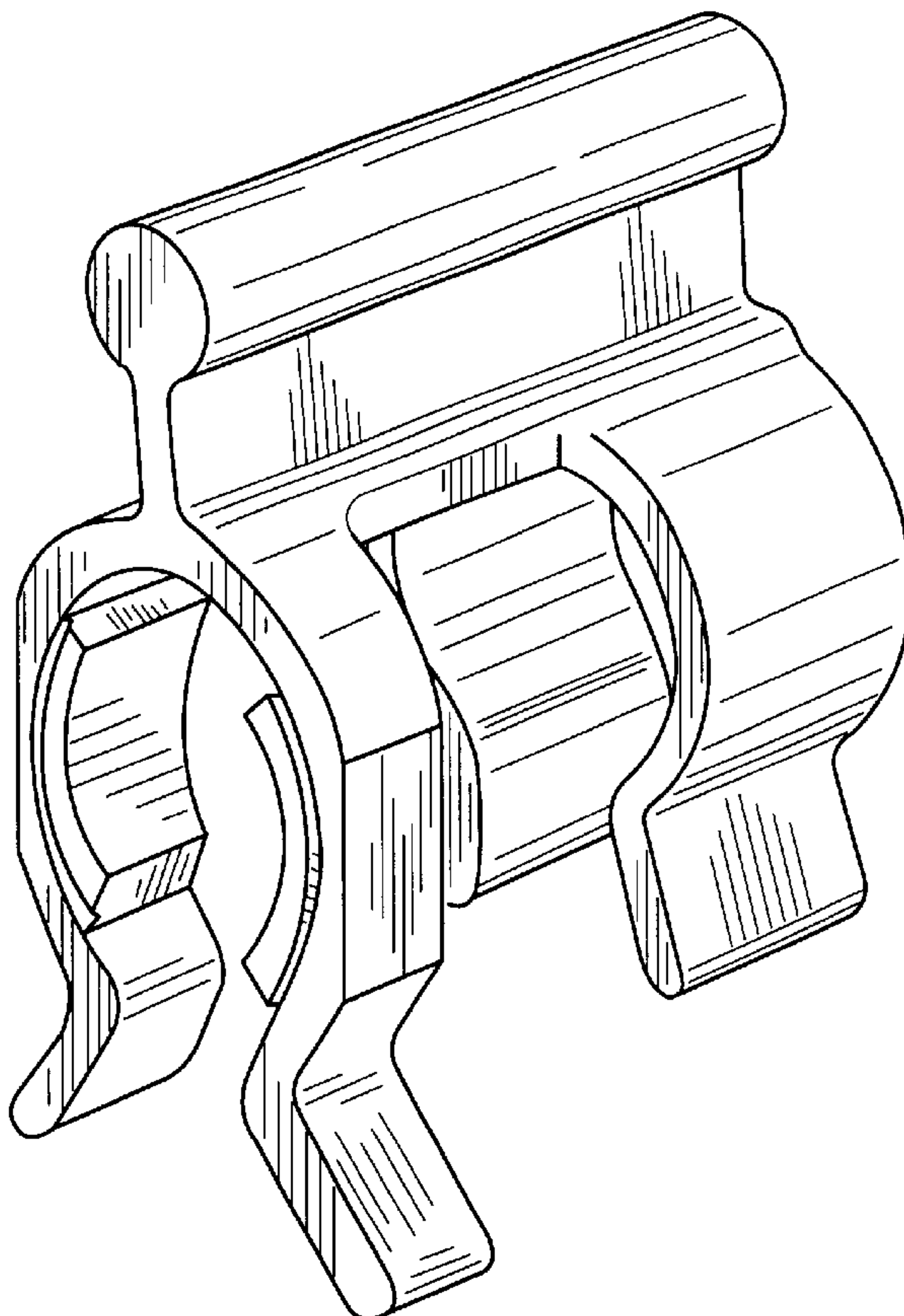
FIG. 1 is a front perspective view of a retainer clip showing our new design;  
FIG. 2 is a top plan view thereof;  
FIG. 3 is a right side elevational view thereof;  
FIG. 4 is a front elevational view thereof;  
FIG. 5 is a left side elevational view thereof;  
FIG. 6 is a rear elevational view thereof; and,  
FIG. 7 is a bottom plan view thereof.

**1 Claim, 4 Drawing Sheets**

(56) **References Cited**

**U.S. PATENT DOCUMENTS**

- 949,243 A \* 2/1910 Murray ..... 174/71 R
- 1,365,065 A \* 1/1921 Sherwood ..... 248/69
- 2,665,867 A \* 1/1954 McDonald ..... 248/68.1
- 3,033,412 A \* 5/1962 Fox ..... 220/23.4
- 4,723,801 A \* 2/1988 Musumeci et al. .... 294/33



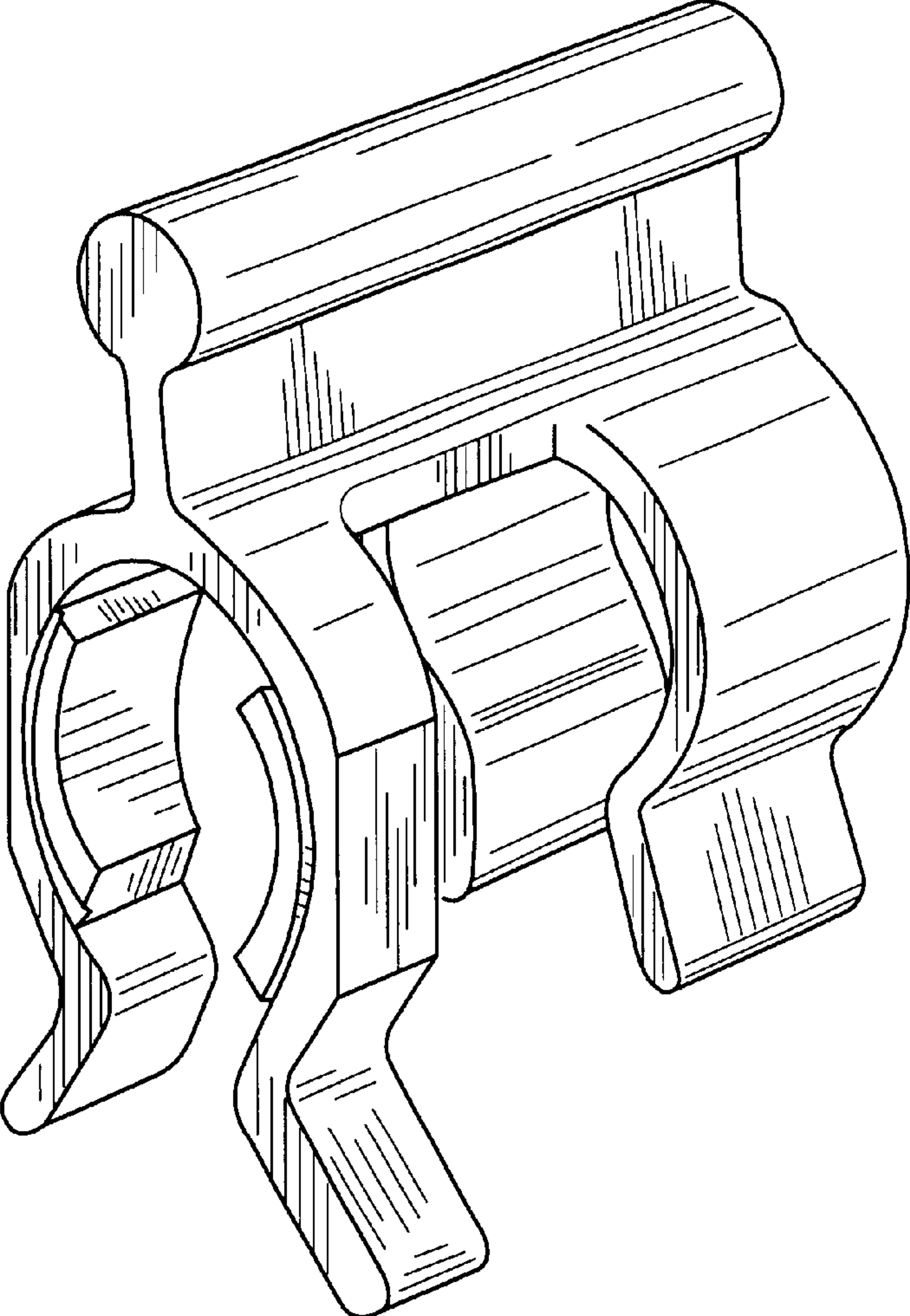


FIG. 1

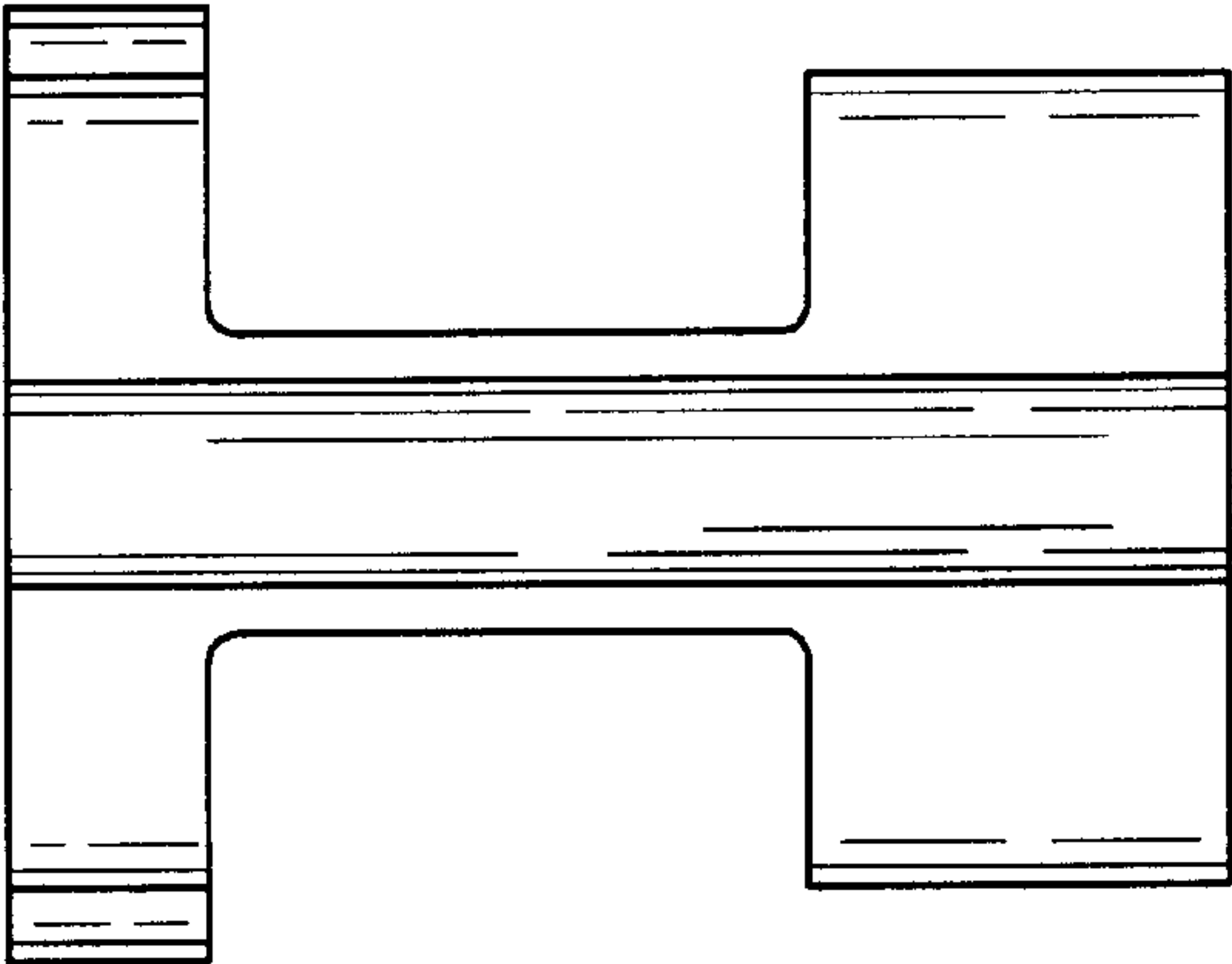
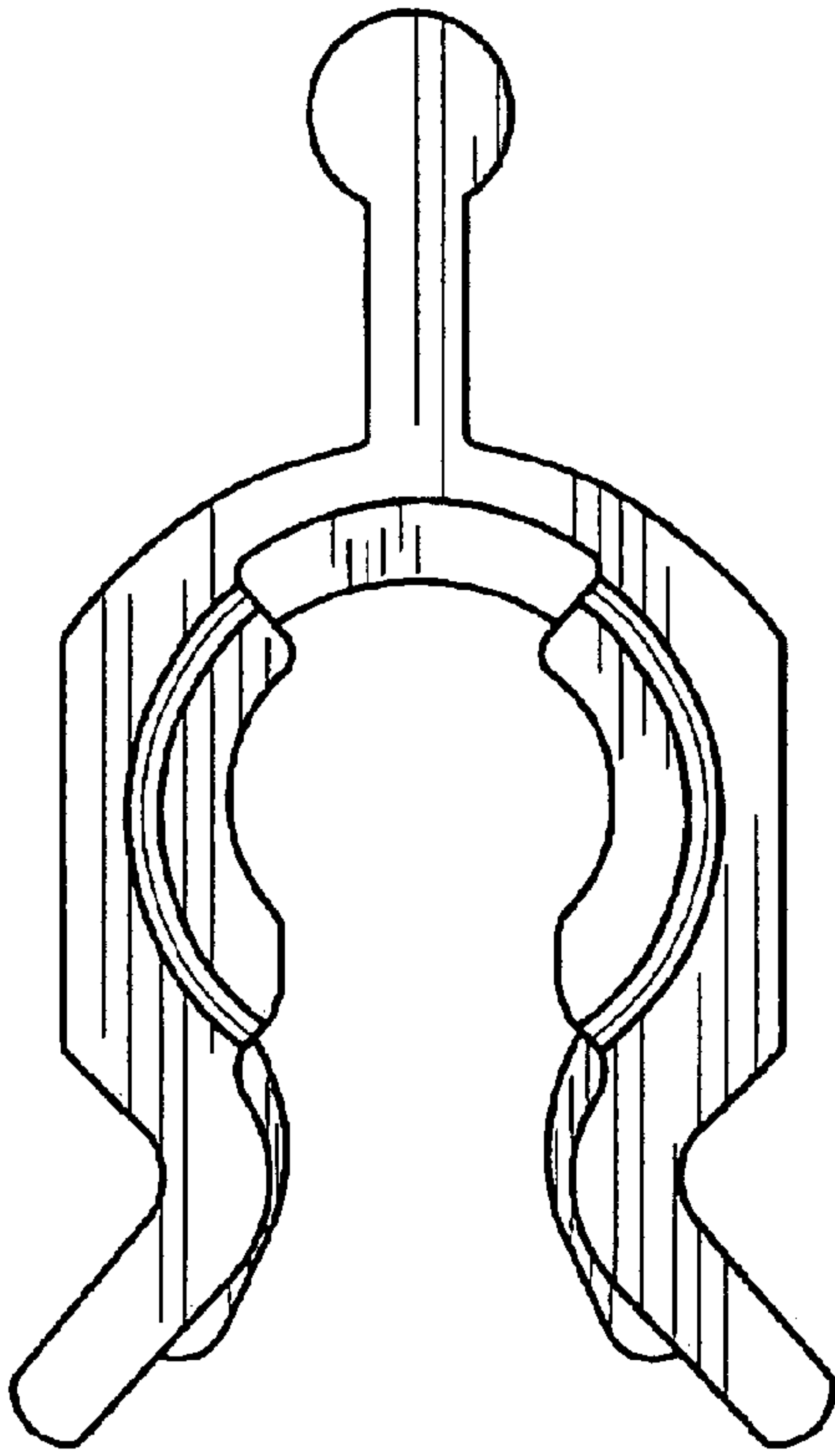
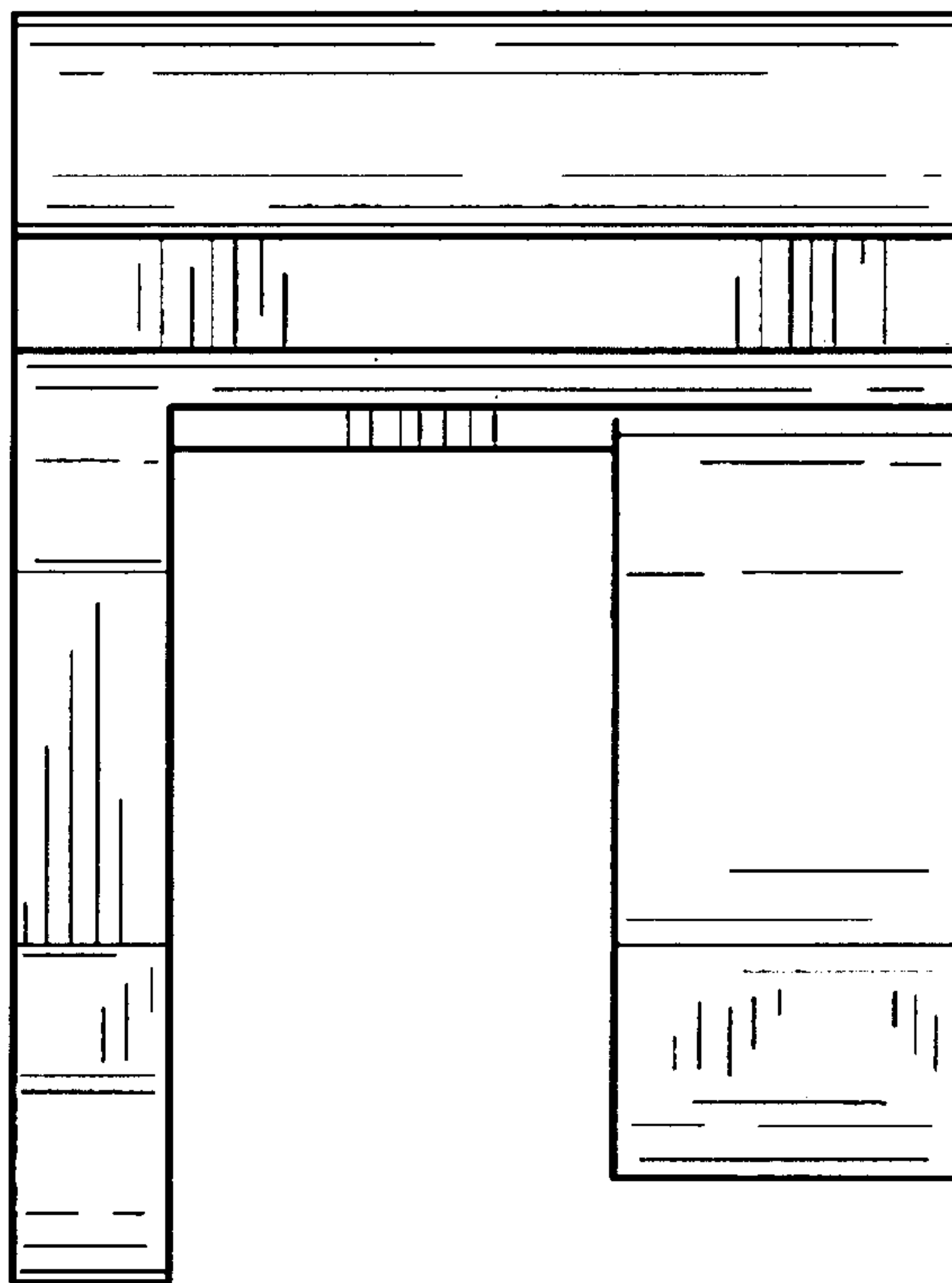


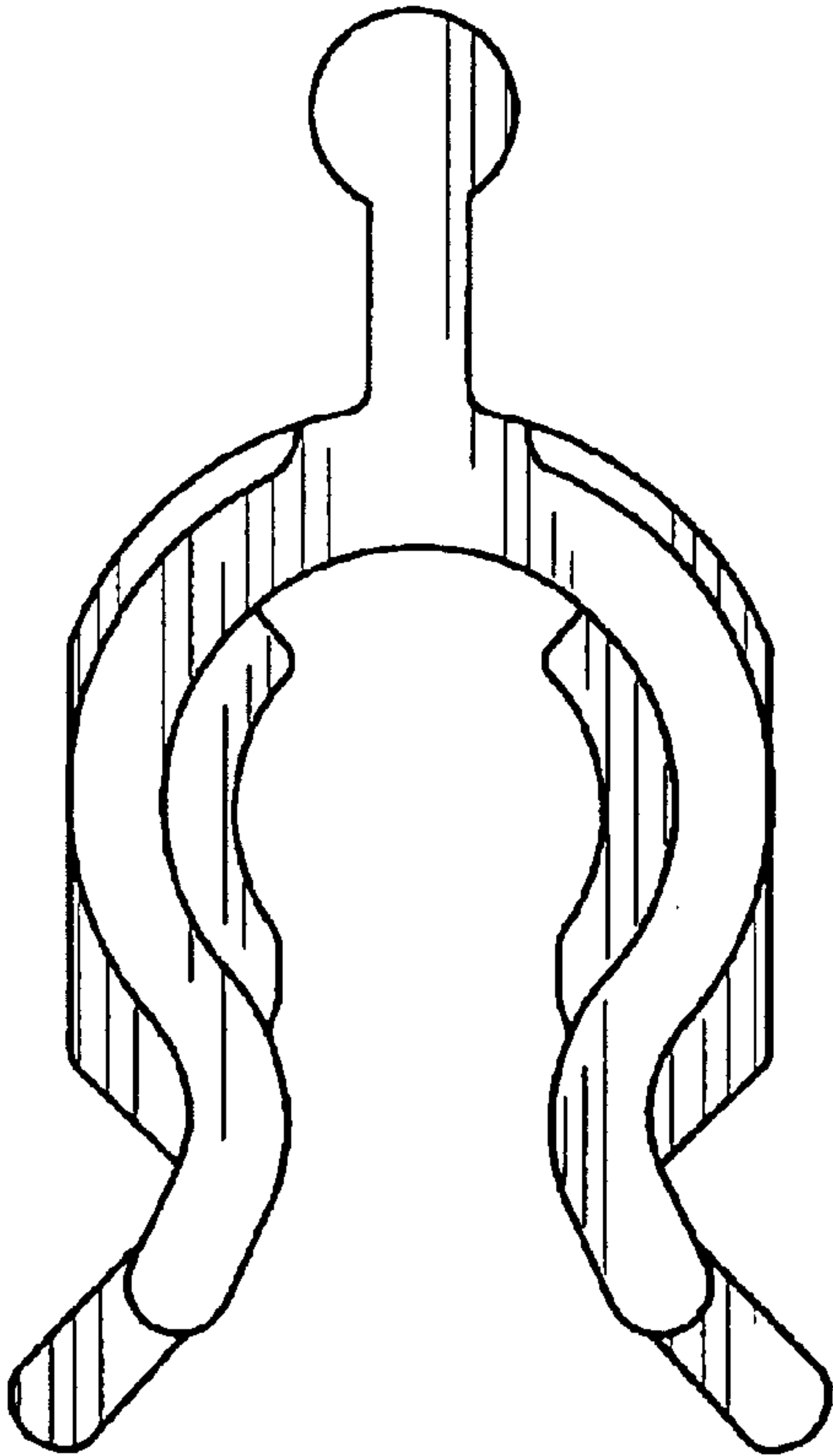
FIG. 2



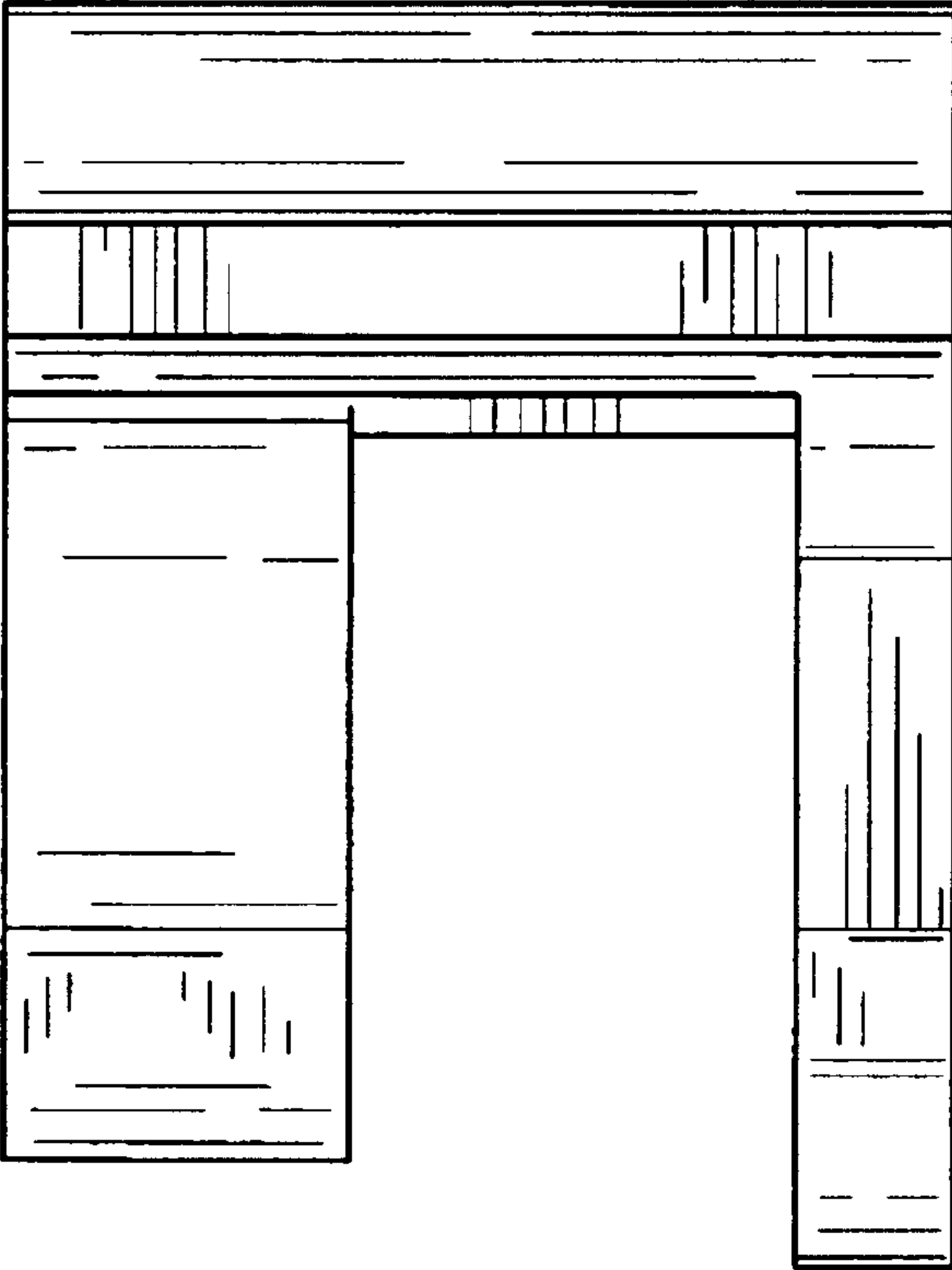
**FIG - 3**



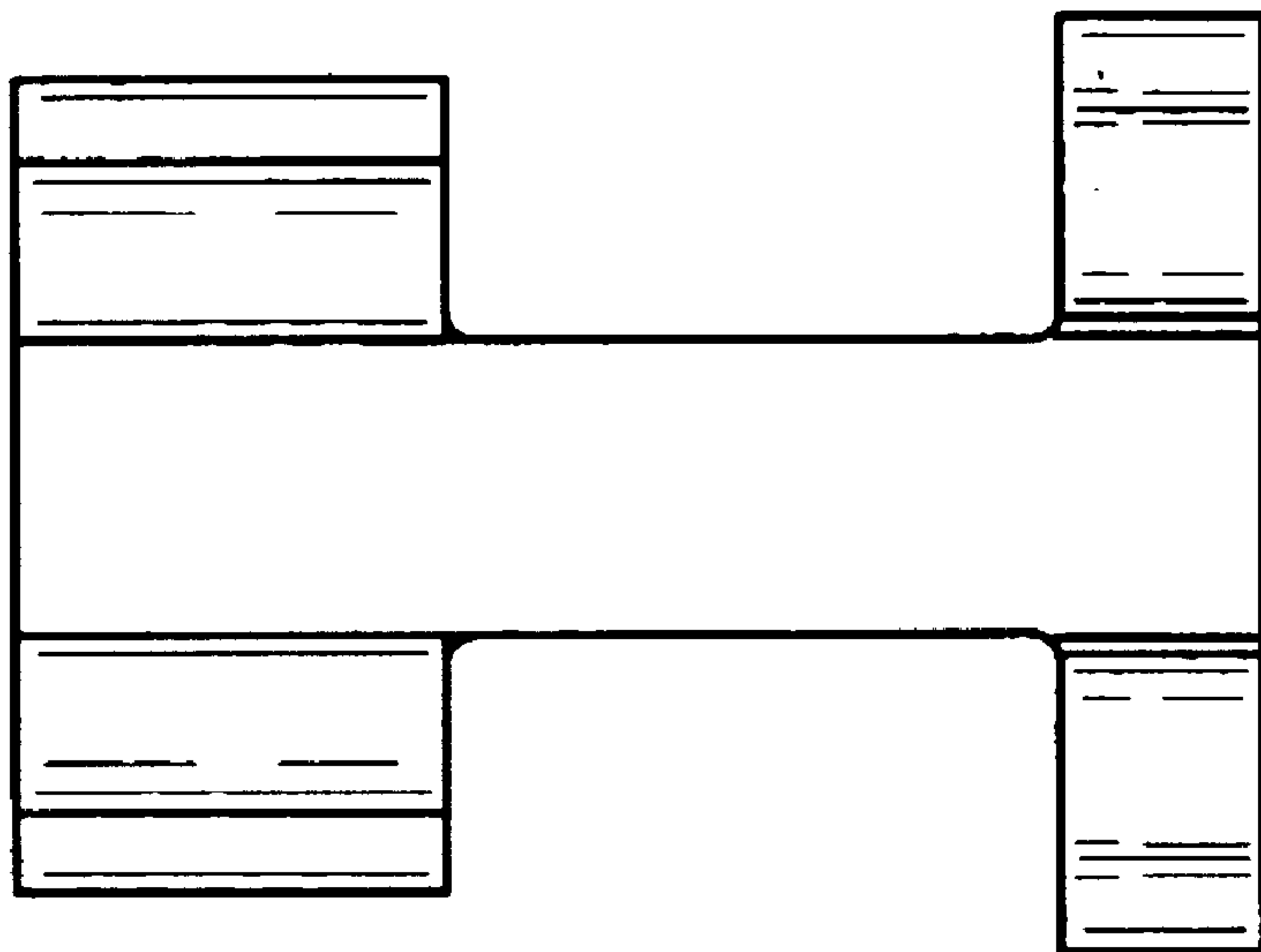
**FIG - 4**



**FIG - 5**



**FIG - 6**



**FIG - 7**