



US00D510255S

(12) **United States Design Patent**
Yamaguchi

(10) **Patent No.:** **US D510,255 S**

(45) **Date of Patent:** **** Oct. 4, 2005**

(54) **HINGE**

D272,597 S * 2/1984 Cascone et al. D8/323
D372,415 S * 8/1996 Guidotti D8/327
6,516,494 B2 * 2/2003 Nakamoto et al. 16/236

(75) Inventor: **Koshi Yamaguchi**, Gunma (JP)

(73) Assignee: **Sugatsune Kogyo Co., Ltd.**, Tokyo (JP)

(**) Term: **14 Years**

* cited by examiner

Primary Examiner—Gary D. Watson
Assistant Examiner—T. Chase Nelson
(74) *Attorney, Agent, or Firm*—Osha Liang LLP

(21) Appl. No.: **29/195,448**

(22) Filed: **Dec. 11, 2003**

(57) **CLAIM**

The ornamental design for a hinge, as shown and described.

(30) **Foreign Application Priority Data**

Jun. 13, 2003 (JP) 2003-016755

DESCRIPTION

(51) **LOC (8) Cl.** **08-06**

(52) **U.S. Cl.** **D8/329**

(58) **Field of Search** D8/323, 324, 325,
D8/326, 327, 328, 329, 349, 354, 356;
16/234–237, 239, 241, 245–246, 249, 254,
261–262, 265, 272, 277, 307, 319, 335,
339, 342, 379, 381–383, 384, 385, 386,
387, 388, 389, 221, DIG. 13, DIG. 40,
DIG. 43; 4/236, 237, 238, 239, 240; D23/303;
248/200, 221.11, 300, 309.1, 317; D7/334,
337, 402

FIG. 1 shows a front view of the design of the invention.
FIG. 2 shows a right side view of the design of the invention.
FIG. 3 shows a left side view of the design of the invention.
FIG. 4 shows a top plan view of the design of the invention.
FIG. 5 shows a bottom view of the design of the invention.
FIG. 6 shows a rear view of the design of the invention.
FIG. 7 shows a perspective view of the design of the invention; and,
FIG. 8 shows a perspective view of the design in use.

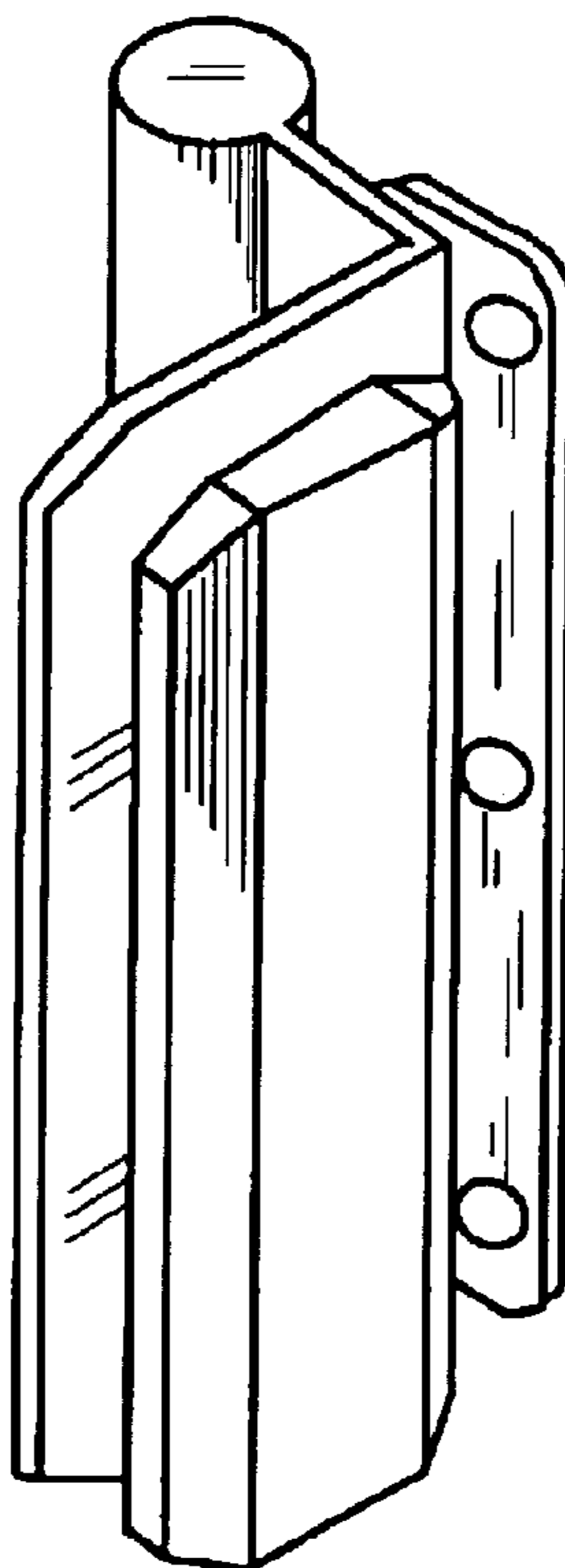
The broken lines show environmental structure, are for illustrative purposes only, and form no part of the claimed design.

(56) **References Cited**

U.S. PATENT DOCUMENTS

D236,797 S * 9/1975 Sanderford et al. D8/329

1 Claim, 5 Drawing Sheets



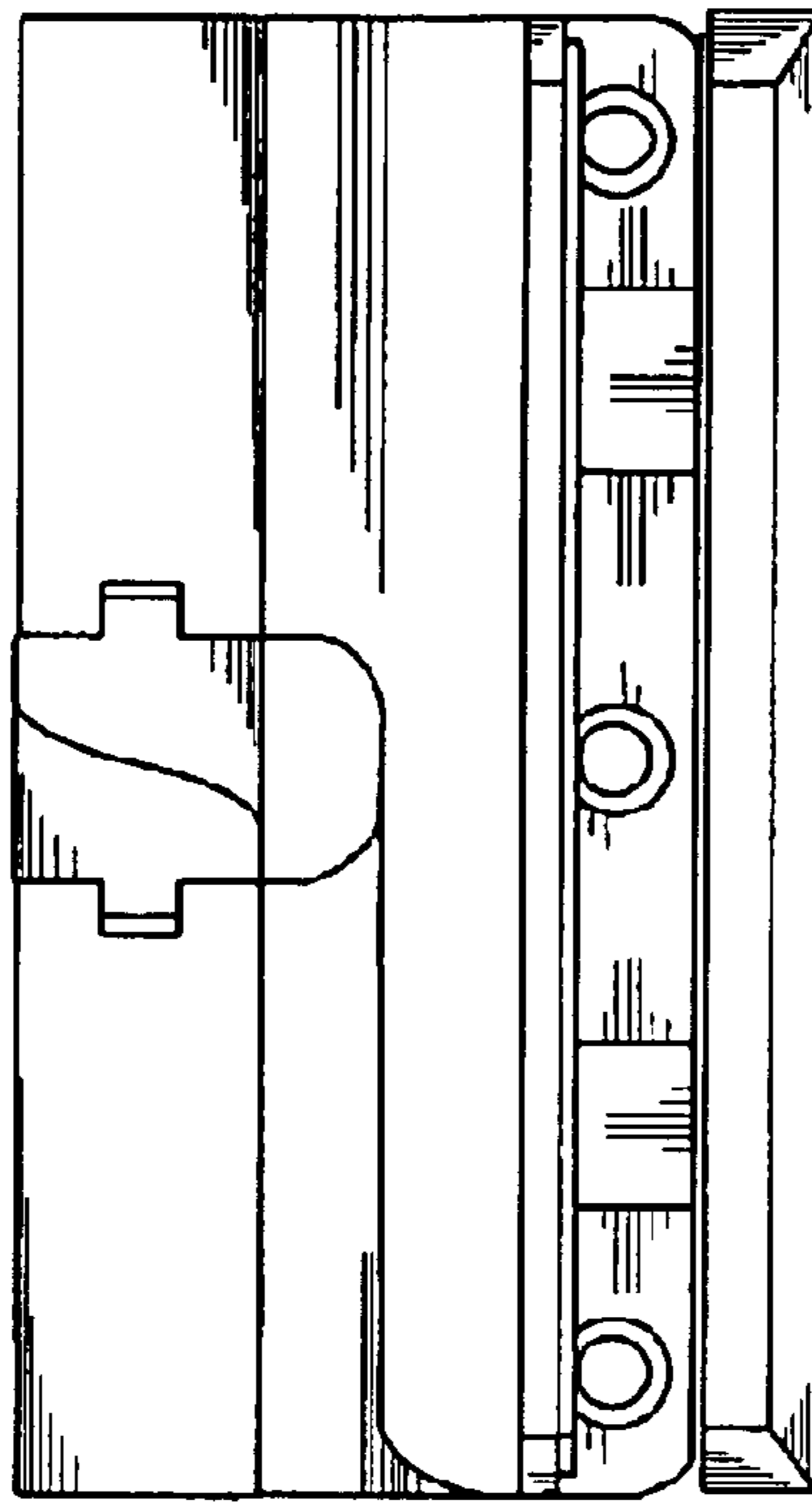


Figure 1

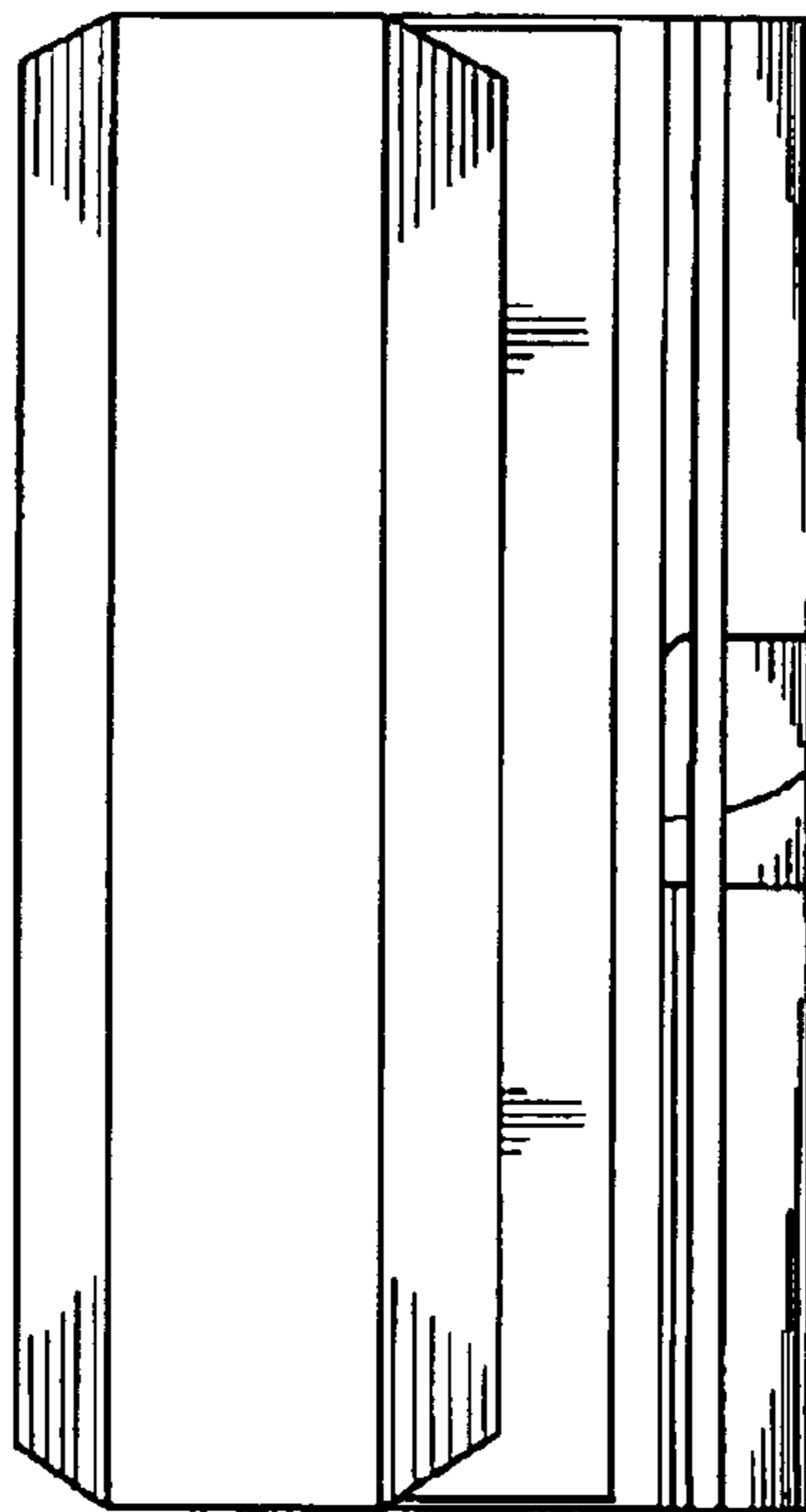


Figure 2

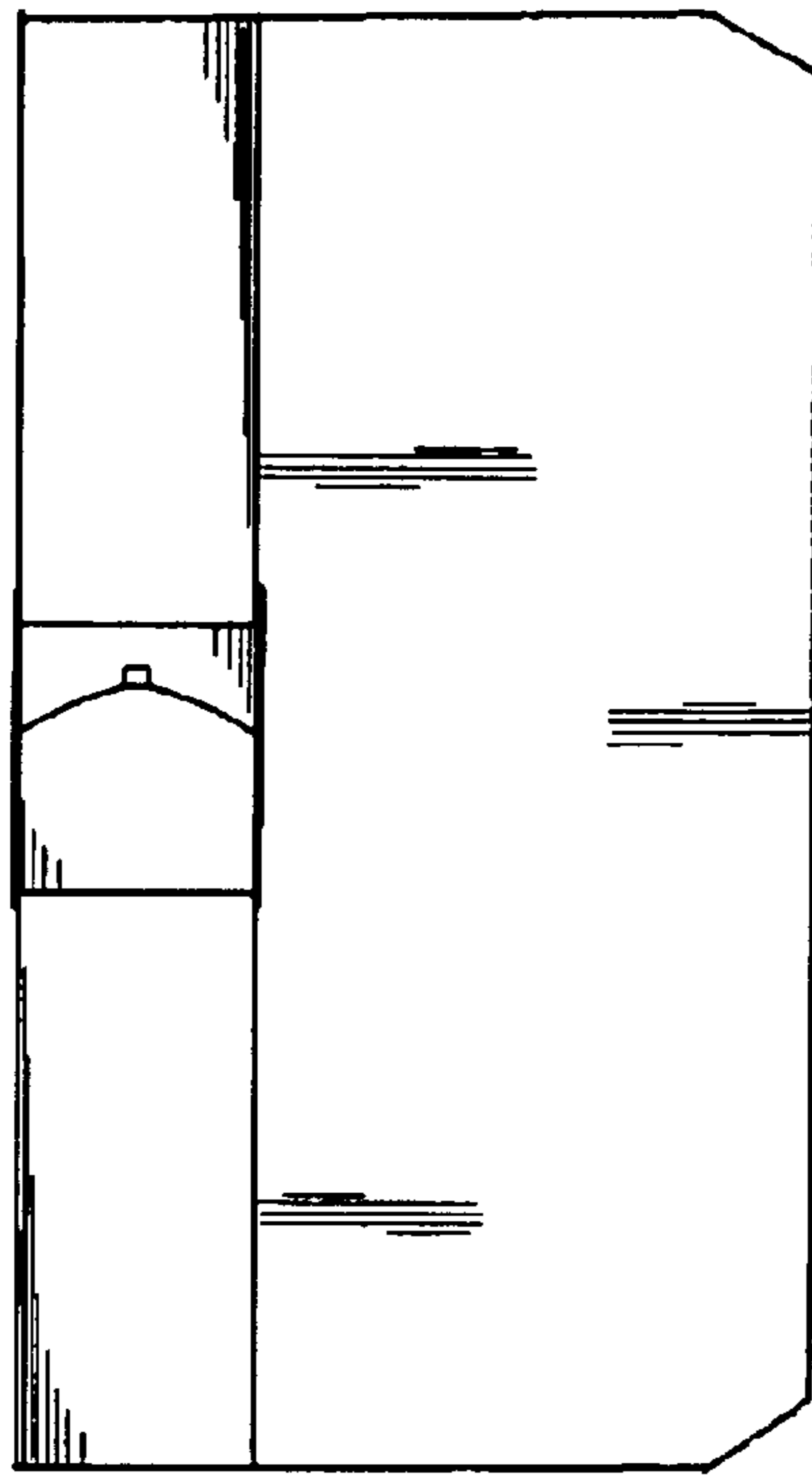


Figure 3

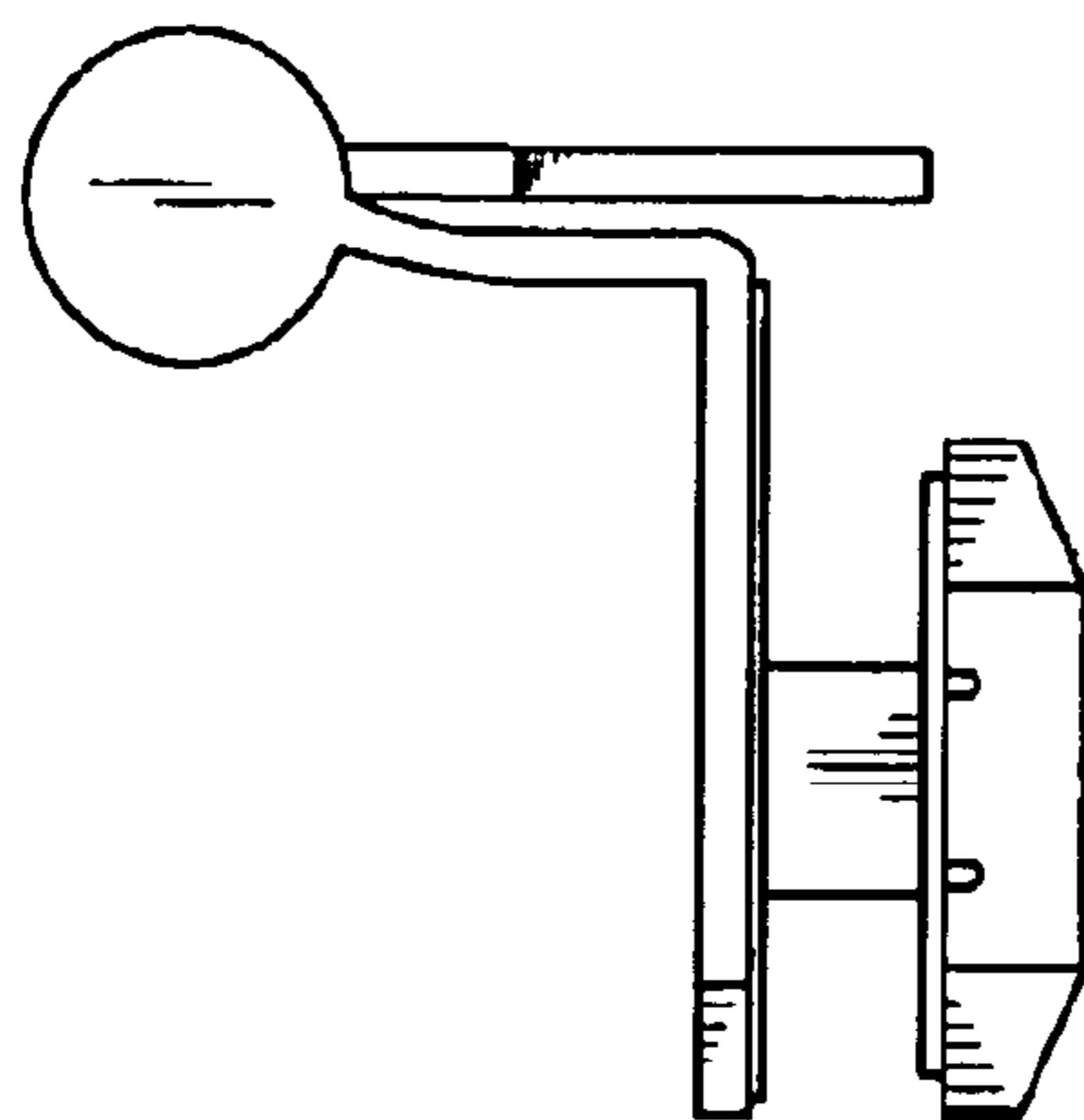


Figure 4

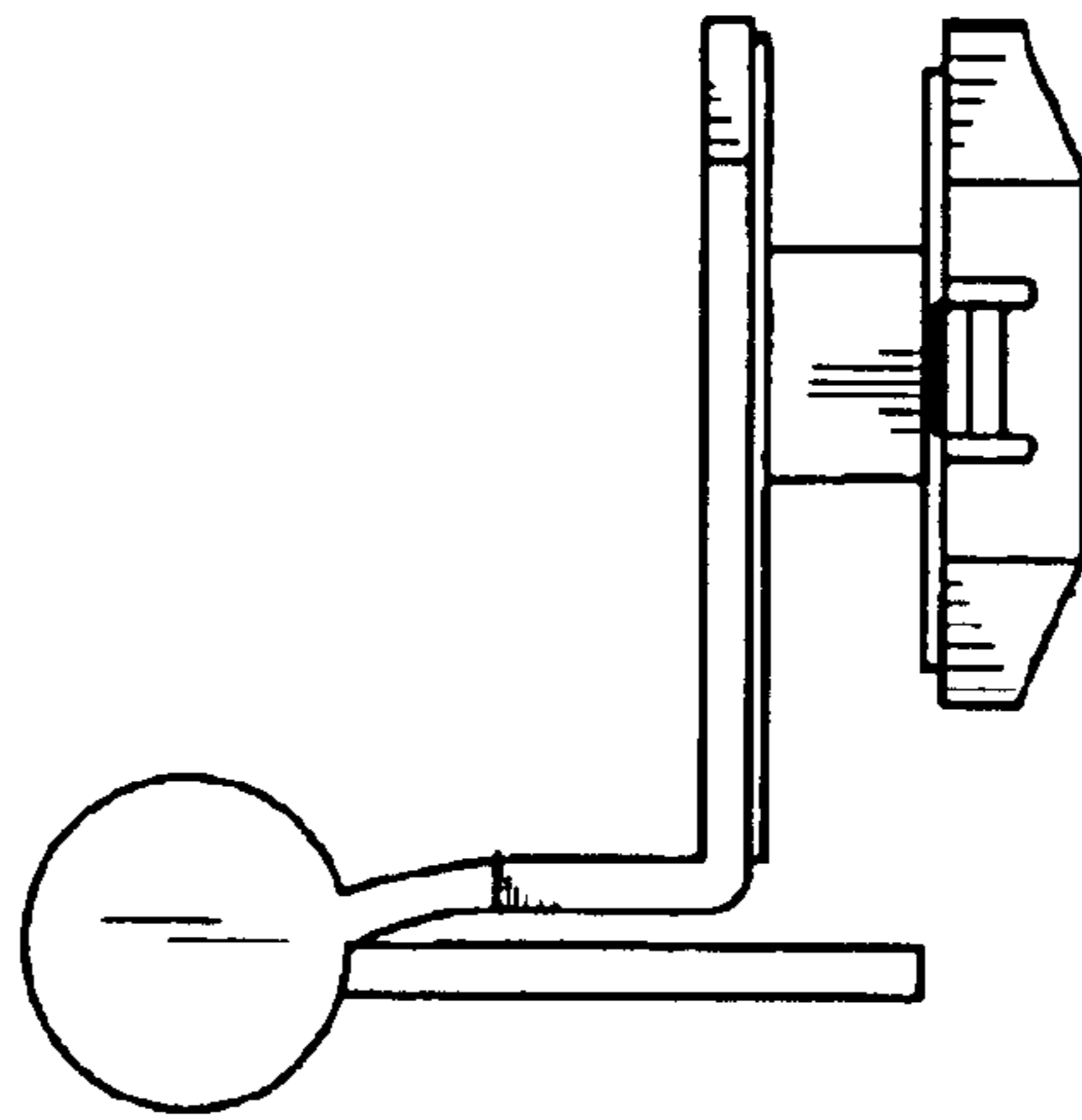


Figure 5

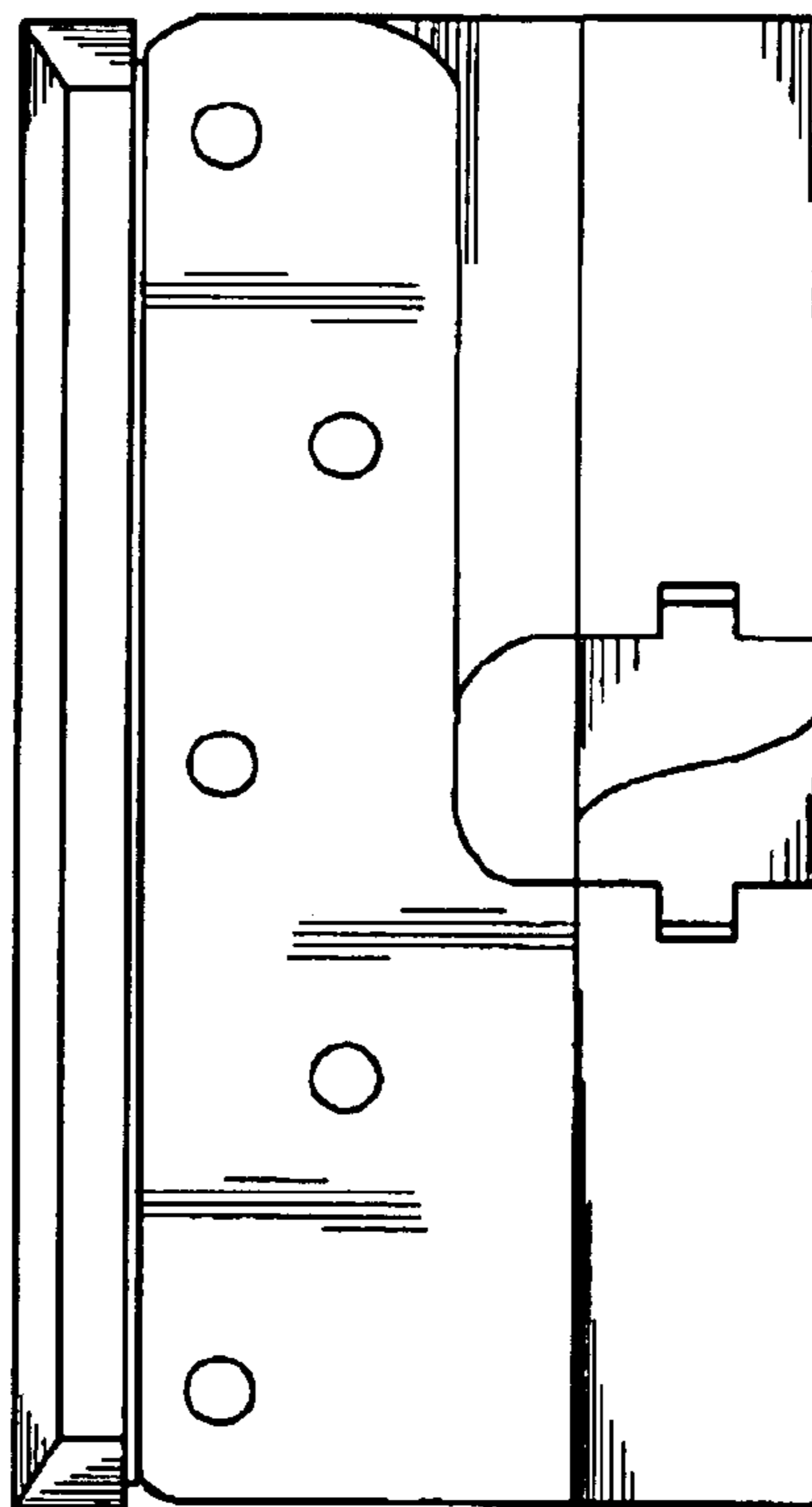


Figure 6

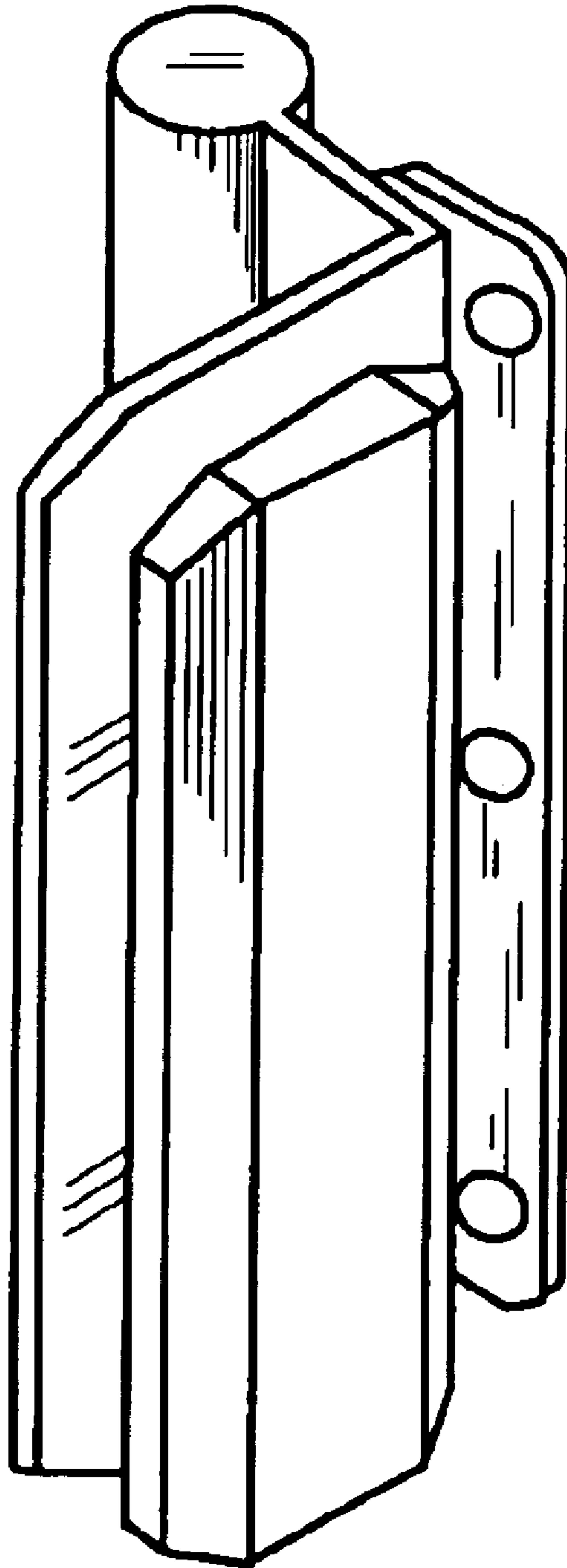


Figure 7

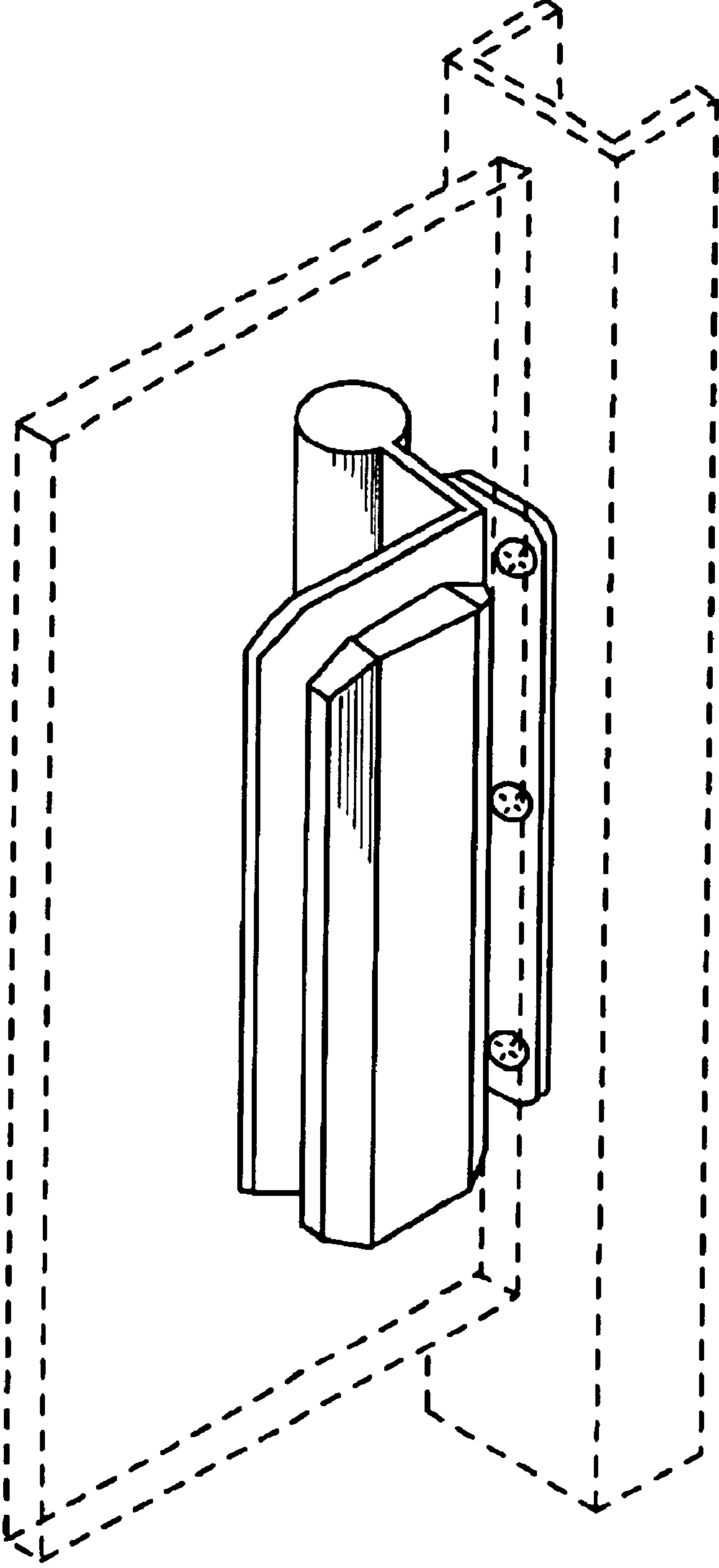


Figure 8