



US00D510253S

(12) **United States Design Patent** (10) **Patent No.:** **US D510,253 S**  
**Twomey** (45) **Date of Patent:** **\*\* Oct. 4, 2005**

(54) **BASE FOR A TOILET SEAT HINGE**

(75) Inventor: **Michael R. Twomey**, Newnan, GA (US)

(73) Assignee: **Bemis Manufacturing Company**, Sheboygan Falls, WI (US)

(\*\*) Term: **14 Years**

(21) Appl. No.: **29/205,320**

(22) Filed: **May 13, 2004**

4,391,001 A	7/1983	Harrison	
4,398,307 A	8/1983	Ginsburg et al.	
4,467,481 A	8/1984	Ginsburg	
4,658,447 A	4/1987	Smith	
4,974,262 A	12/1990	Rosen	
D370,252 S	5/1996	Hulsebus	
D372,415 S	8/1996	Guidotti	
D377,306 S	1/1997	Decker	
D481,924 S	11/2003	Hulsebus	
6,826,803 B2 *	12/2004	Twomey	16/387
D500,441 S *	1/2005	Senn	D8/323
2003/0145429 A1	8/2003	Twomey	

\* cited by examiner

**Related U.S. Application Data**

(63) Continuation of application No. 29/170,761, filed on Nov. 13, 2002, now Pat. No. Des. 495,233.

(51) **LOC (8) Cl.** ..... **08-06**

(52) **U.S. Cl.** ..... **D8/326**

(58) **Field of Search** ..... D8/323, 324, 325, D8/326, 327, 328, 329; 4/236, 237, 238, 239, 240; D23/303; 16/221, 224, 235, 237, 239, 241, 245, 246, 249, 254, 261, 262, 265, 272, 277, 307, 319, 335, 339, 342, 379, 382, 383, 384, 385, 386, 387, 388, 389, DIG. 13, DIG. 40, DIG. 43

(56) **References Cited**

**U.S. PATENT DOCUMENTS**

3,665,552 A	5/1972	Toldo et al.
4,314,382 A	2/1982	Ginsburg et al.

*Primary Examiner*—Gary D. Watson  
*Assistant Examiner*—T. Chase Nelson

(74) *Attorney, Agent, or Firm*—Michael Best & Friedrich LLP

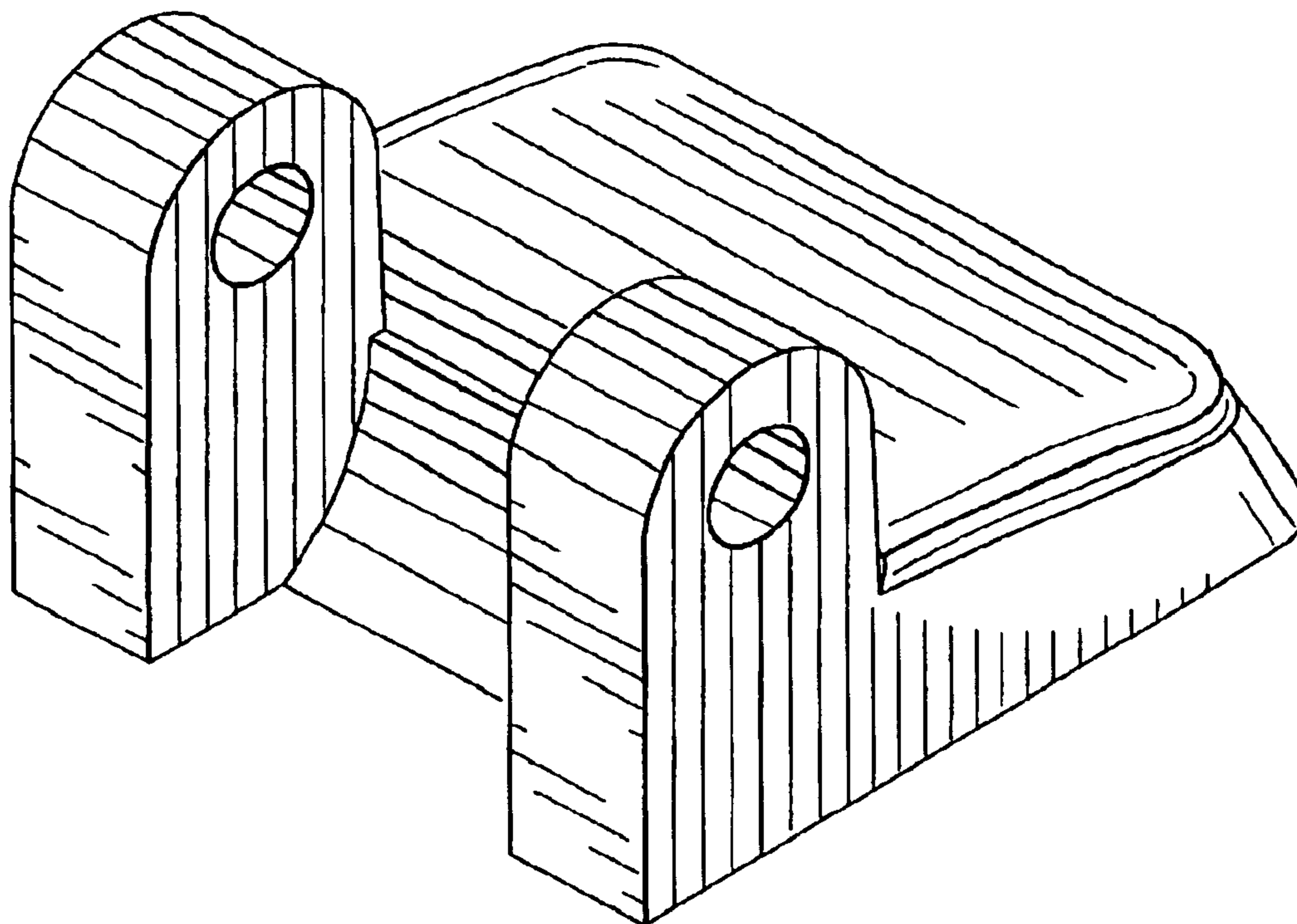
(57) **CLAIM**

The ornamental design for a base for a toilet seat hinge, as shown and described.

**DESCRIPTION**

FIG. 1 is a side perspective view of the base for a toilet seat hinge showing my new design; FIG. 2 is a bottom side perspective view thereof; FIG. 3 is a right side elevational view thereof; FIG. 4 is a left side elevational view thereof; FIG. 5 is a top plan view thereof; and, FIG. 6 is a bottom plan view thereof.

**1 Claim, 2 Drawing Sheets**



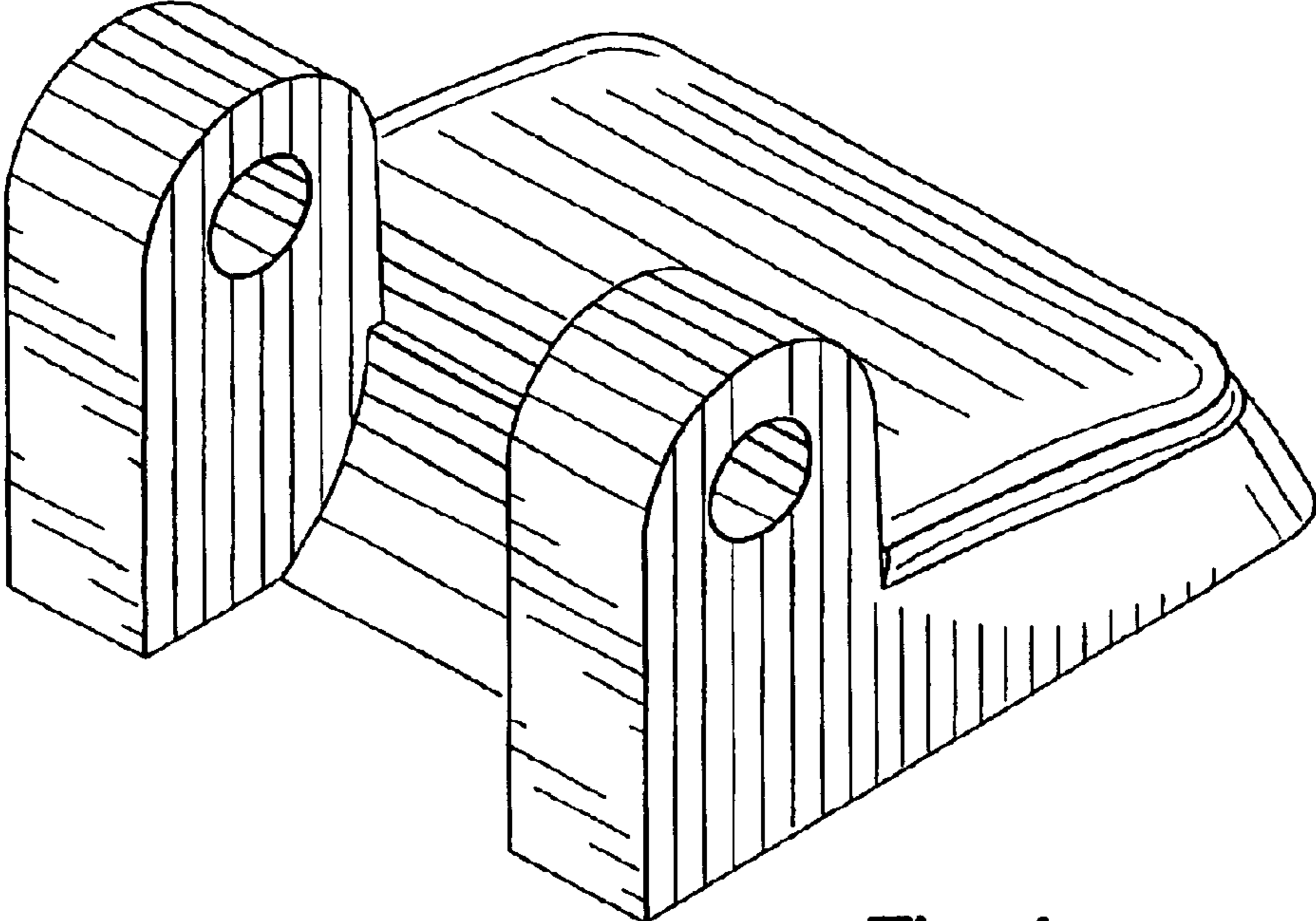


Fig. 1

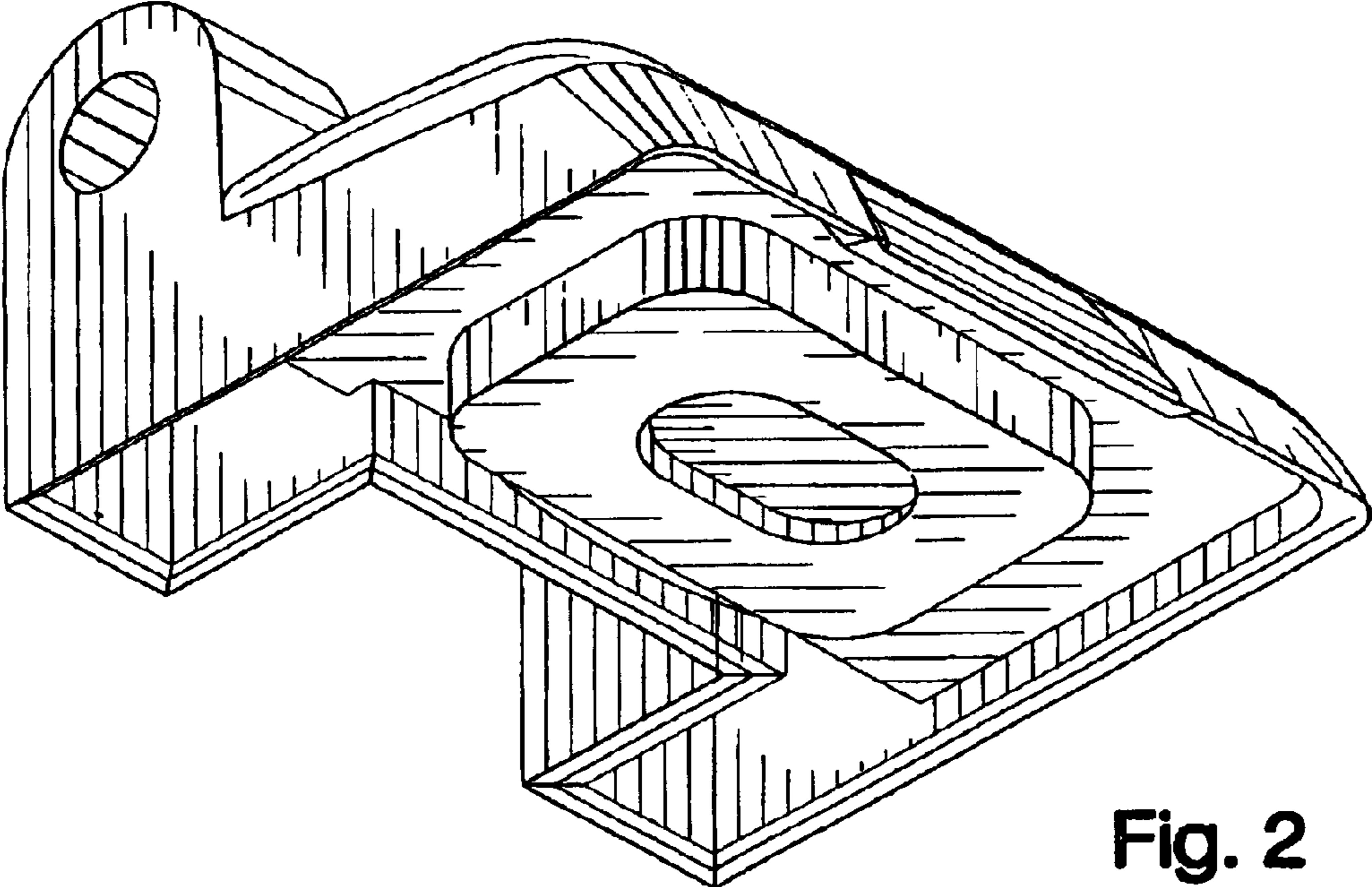


Fig. 2

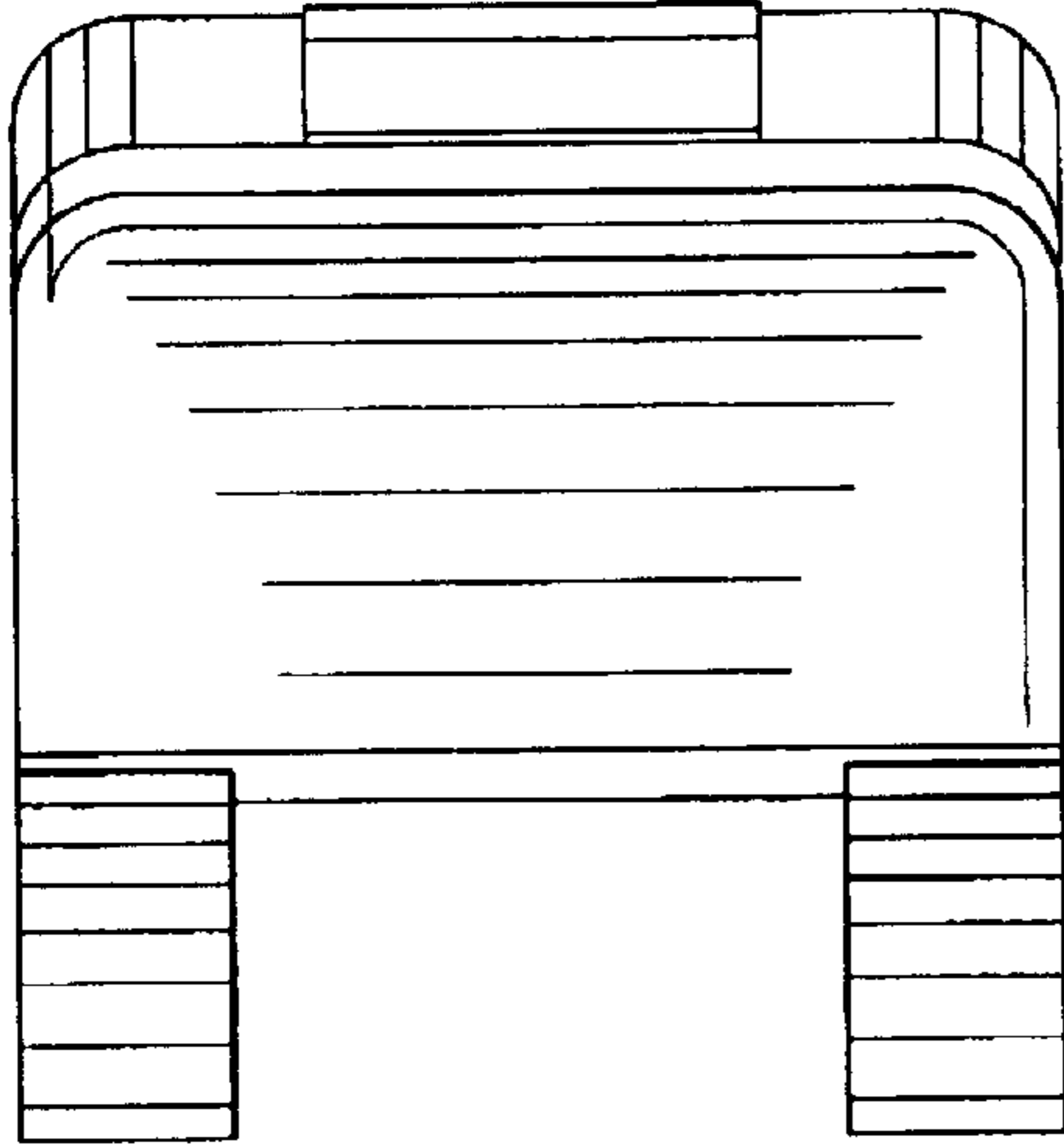


Fig. 5

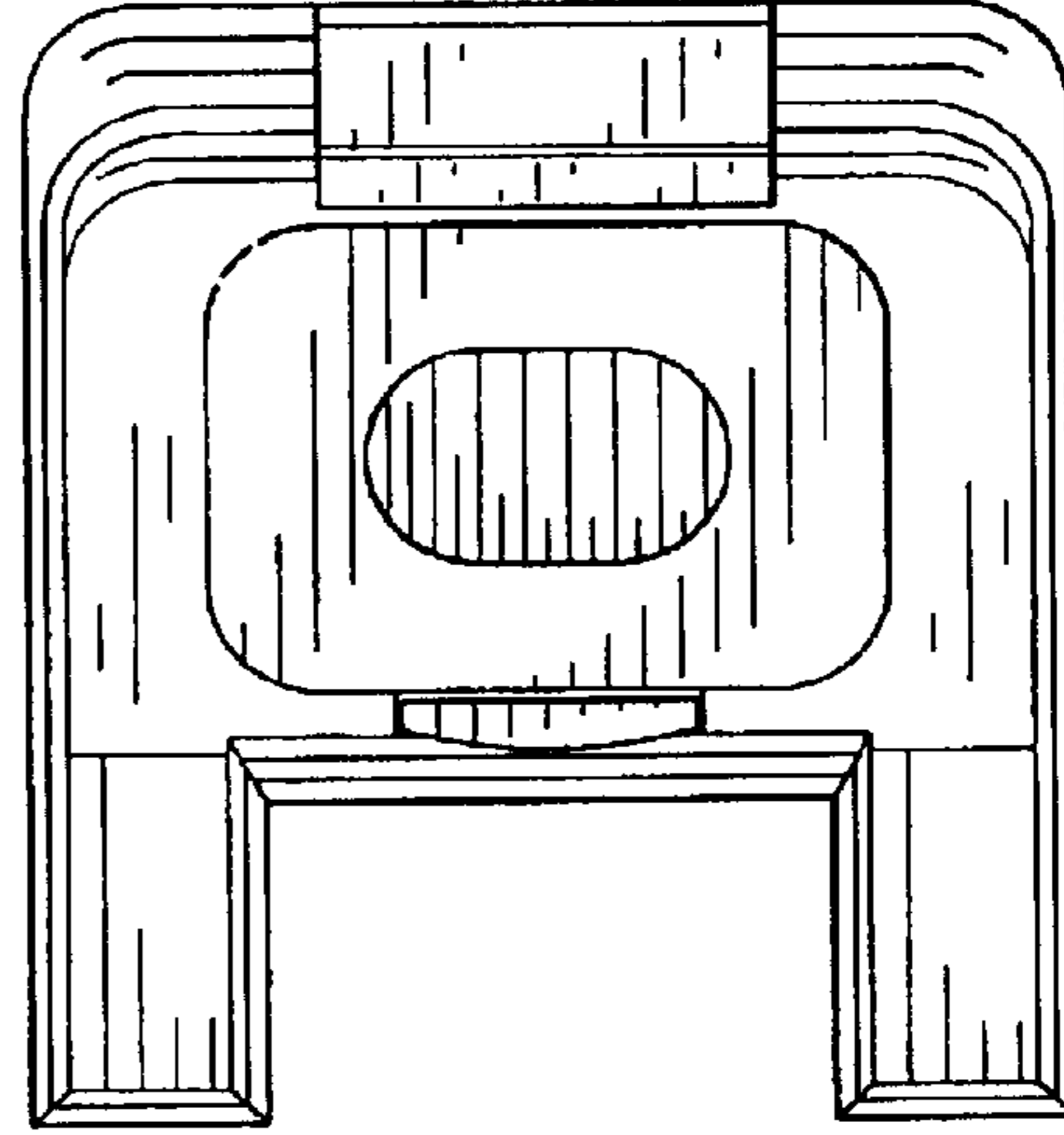


Fig. 6

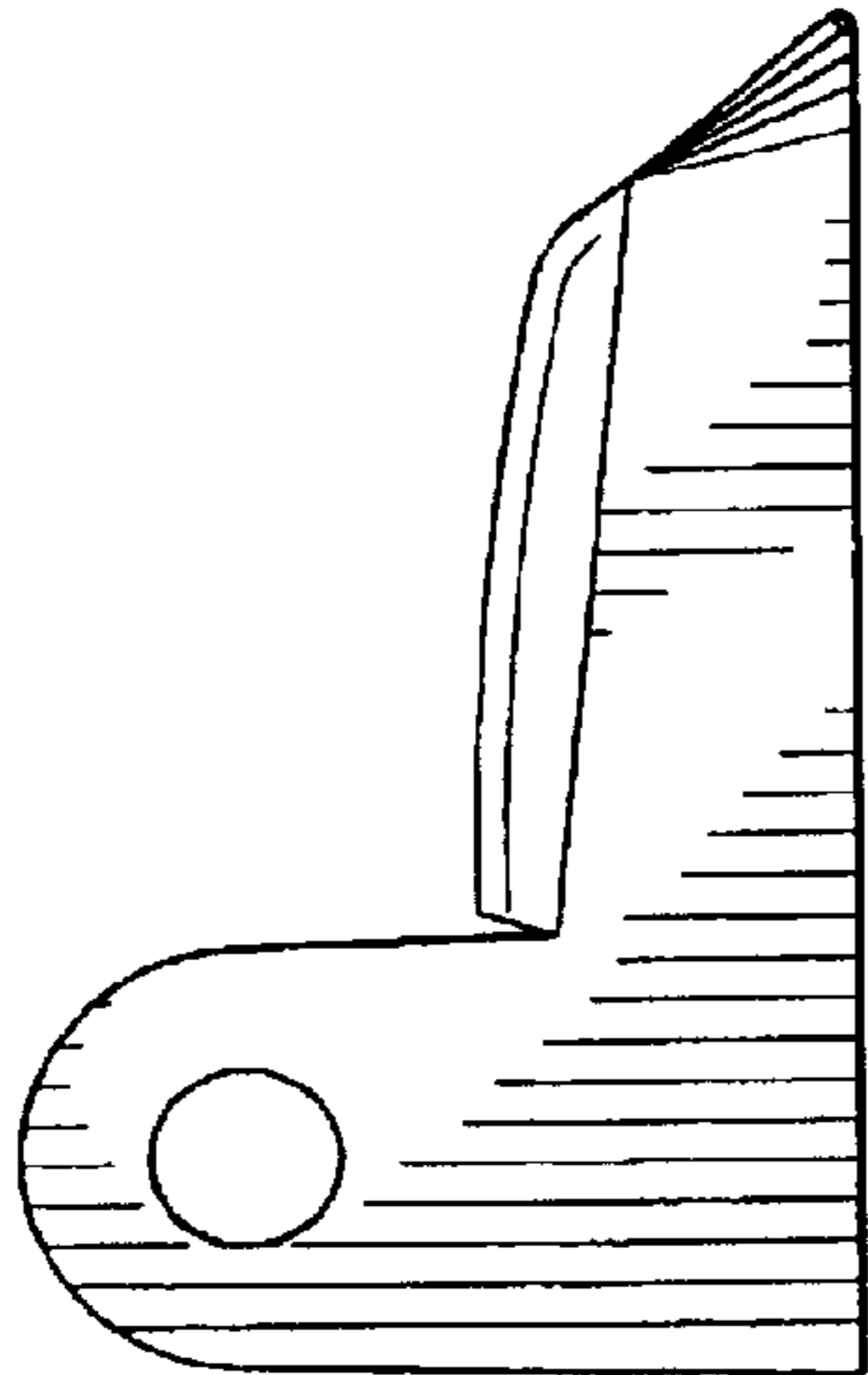


Fig. 3

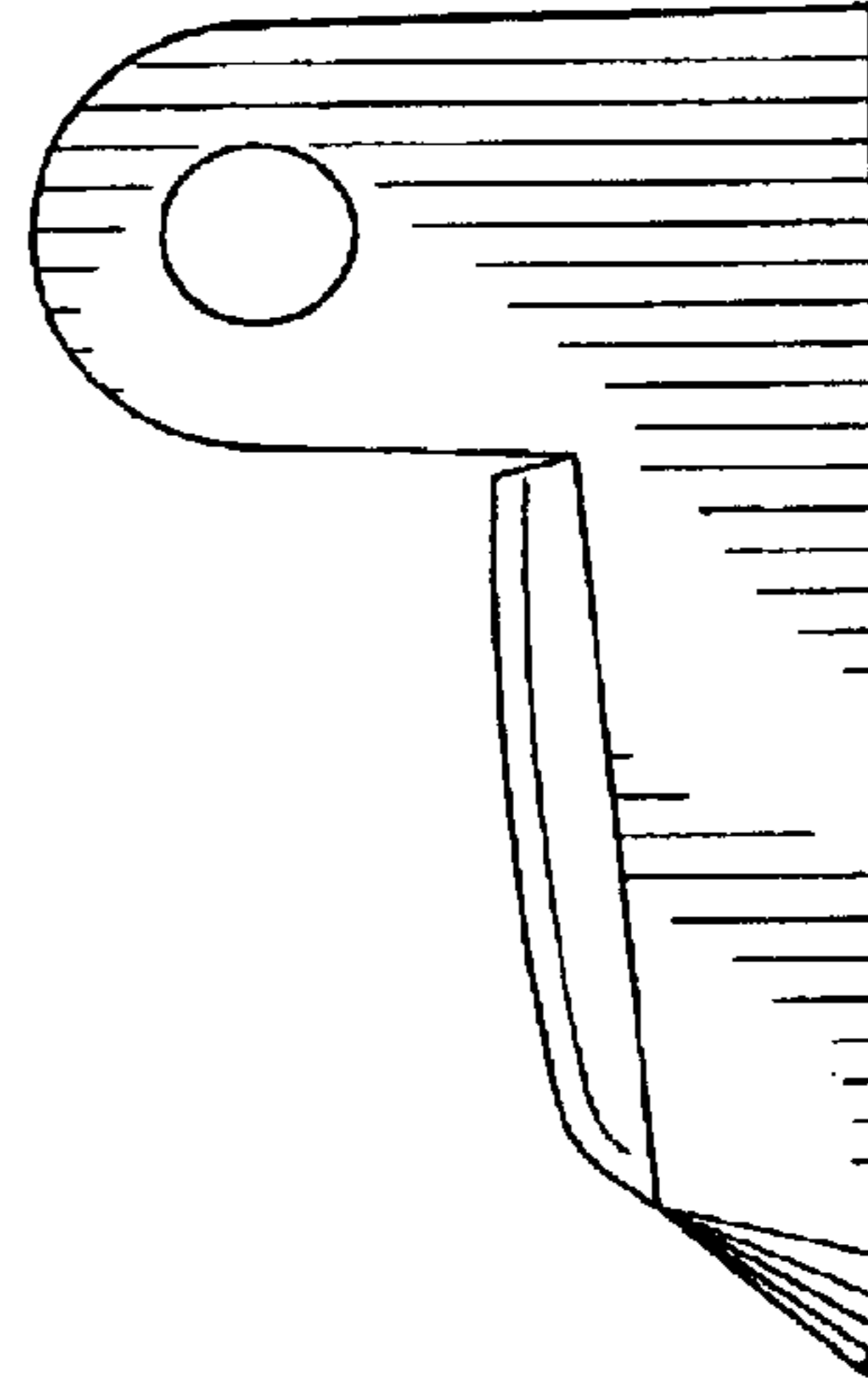


Fig. 4