



US00D510249S

(12) **United States Design Patent** (10) **Patent No.:** **US D510,249 S**  
**Ray** (45) **Date of Patent:** **\*\* Oct. 4, 2005**

(54) **KNIFE HANDLE**

(75) Inventor: **James E. Ray**, Waynesville, NC (US)

(73) Assignee: **Blackhawk Industries Product Group Unlimited LLC**, Norfolk, VA (US)

(\*\*) Term: **14 Years**

(21) Appl. No.: **29/199,245**

(22) Filed: **Feb. 11, 2004**

(51) **LOC (8) Cl.** ..... **08-03**

(52) **U.S. Cl.** ..... **D8/99**

(58) **Field of Search** ..... D8/98, 99, 100, D8/105, 107; D22/118; 30/155, 156, 157, 158, 159, 160, 161, 162

(56) **References Cited**

**U.S. PATENT DOCUMENTS**

D347,375 S	*	5/1994	Sakai	.....	D8/99
D382,189 S	*	8/1997	Viele	.....	D8/99
D385,173 S	*	10/1997	McWillis	.....	D8/99
D399,113 S	*	10/1998	Balolia	.....	D8/99
5,819,414 A	*	10/1998	Marifone	.....	30/160
D422,478 S	*	4/2000	Elishewitz	.....	D8/99
D431,991 S	*	10/2000	Elishewitz	.....	D8/99
D432,386 S	*	10/2000	Elishewitz	.....	D8/99
D435,776 S	*	1/2001	Veltz et al.	.....	D8/99
D447,925 S	*	9/2001	Osborne	.....	D8/107
D464,246 S	*	10/2002	Sloan	.....	D8/99

D473,917 S \* 4/2003 Carter, III ..... D22/118  
2001/0032391 A1 \* 10/2001 Onion ..... 30/161

\* cited by examiner

*Primary Examiner*—Philip S. Hyder

(74) *Attorney, Agent, or Firm*—Bowman Green Hampton & Kelly, PLLC

(57) **CLAIM**

The ornamental design for a knife handle, as shown and described.

**DESCRIPTION**

FIG. 1 is a top perspective view of a knife handle showing my new design, it being understood that the broken line disclosure of a knife blade is for illustrative purposes only and forms no part of the claimed design;

FIG. 2 is a bottom perspective view of my knife handle of FIG. 1;

FIG. 3 is a front side elevation view of my knife handle of FIG. 1;

FIG. 4 is a rear side elevation view of my knife handle of FIG. 1;

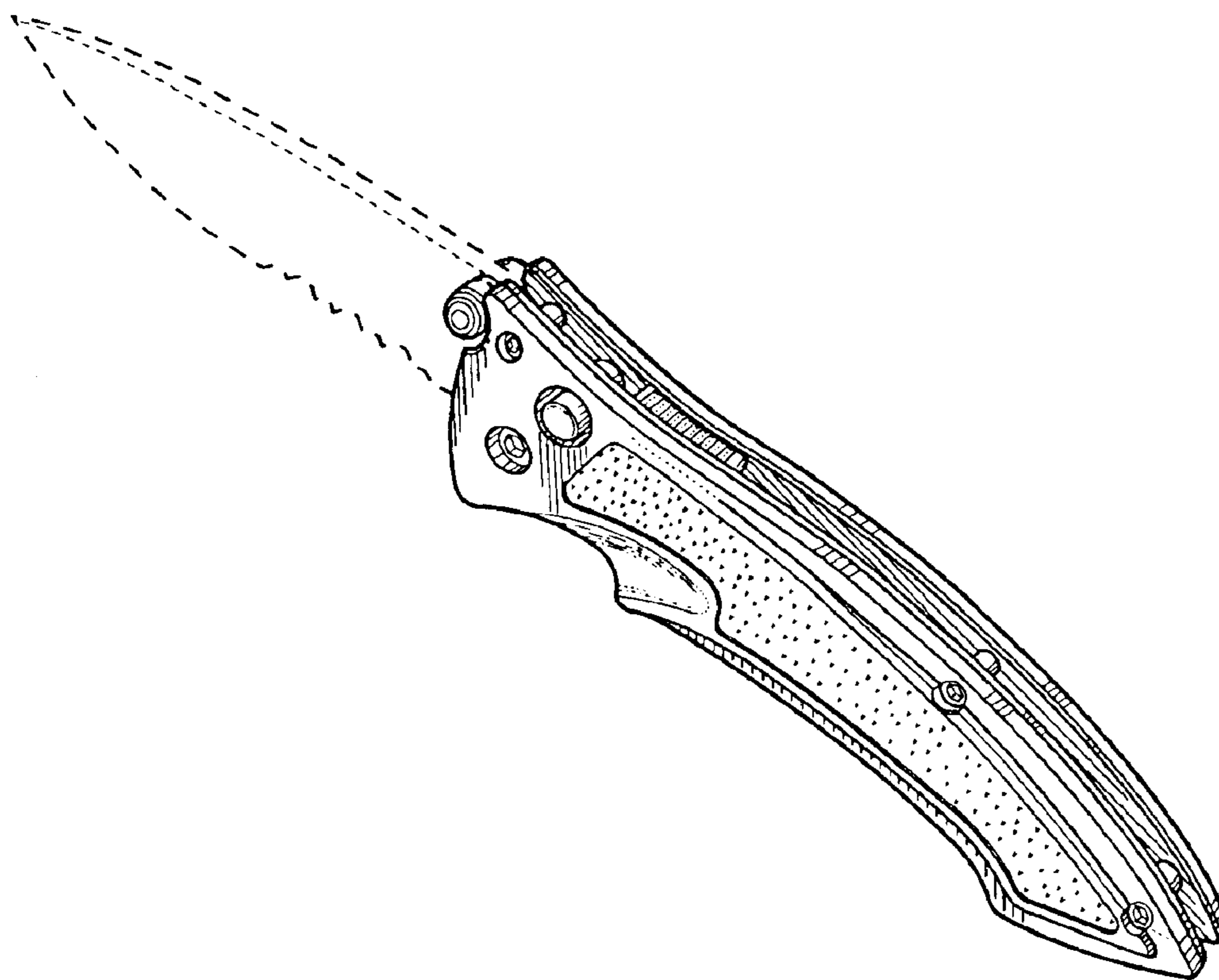
FIG. 5 is a bottom elevation view of my knife handle of FIG. 1;

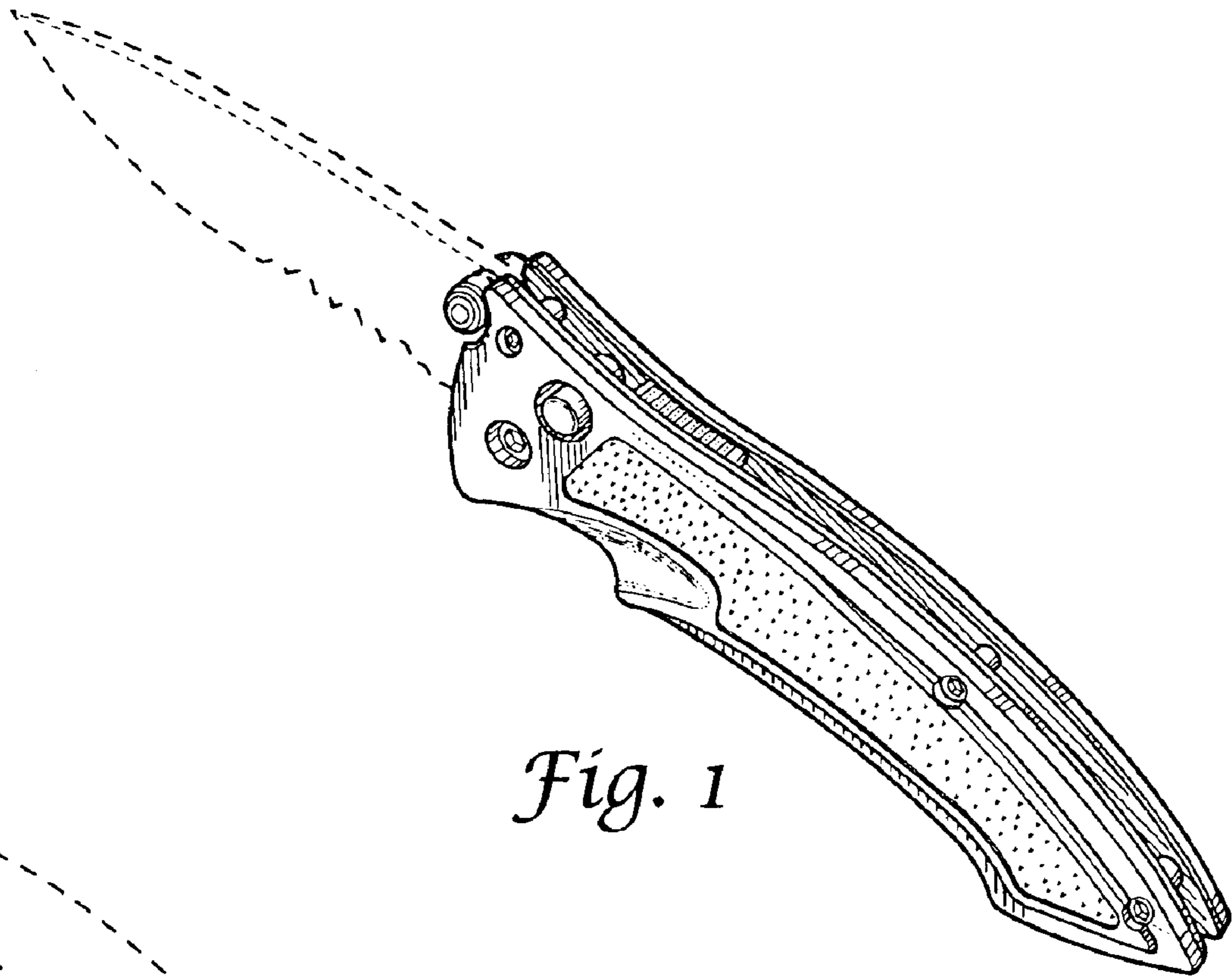
FIG. 6 is a top elevation view of my knife handle of FIG. 1;

FIG. 7 is a top plan view of my knife handle of FIG. 5; and,

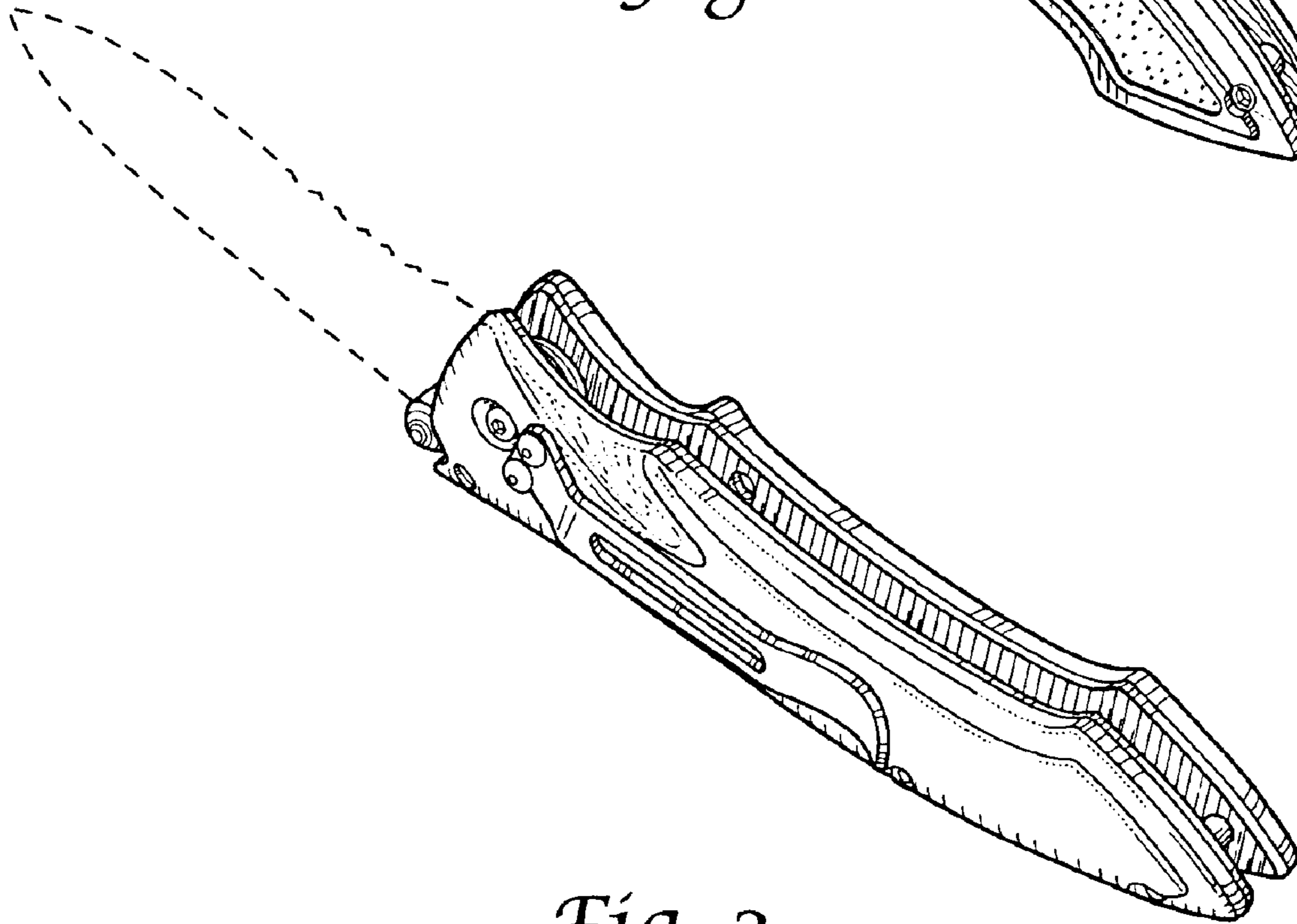
FIG. 8 is a bottom plan view of my knife handle of FIG. 6.

**1 Claim, 3 Drawing Sheets**

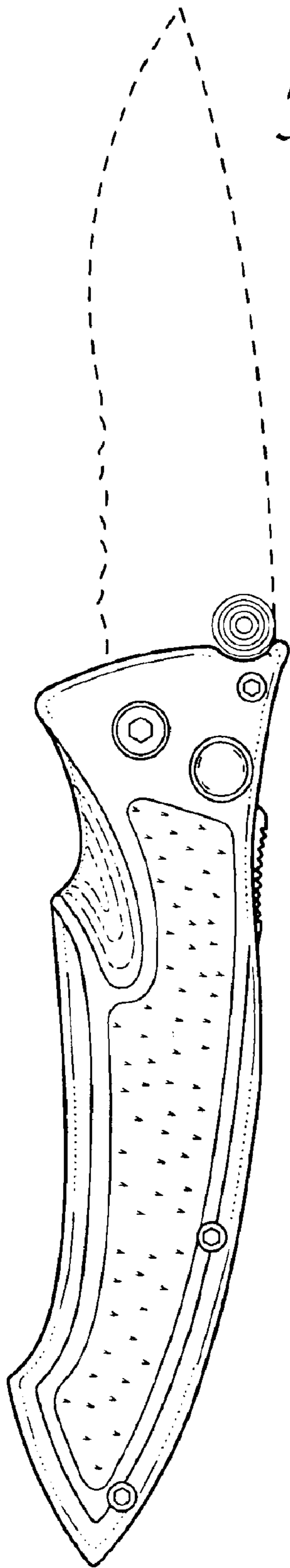




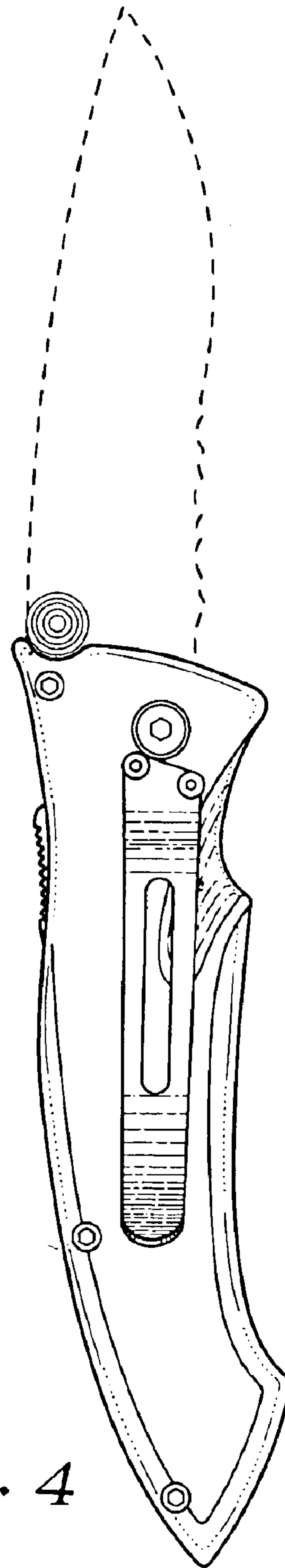
*Fig. 1*



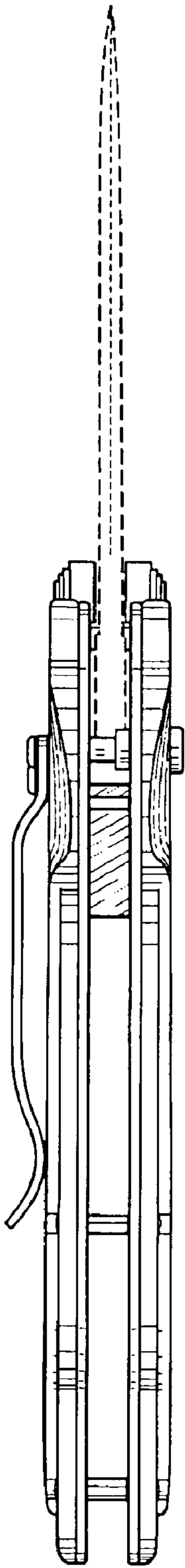
*Fig. 2*



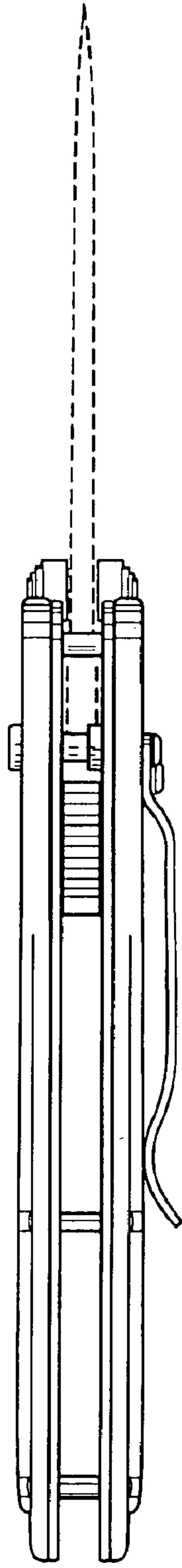
*Fig. 3*



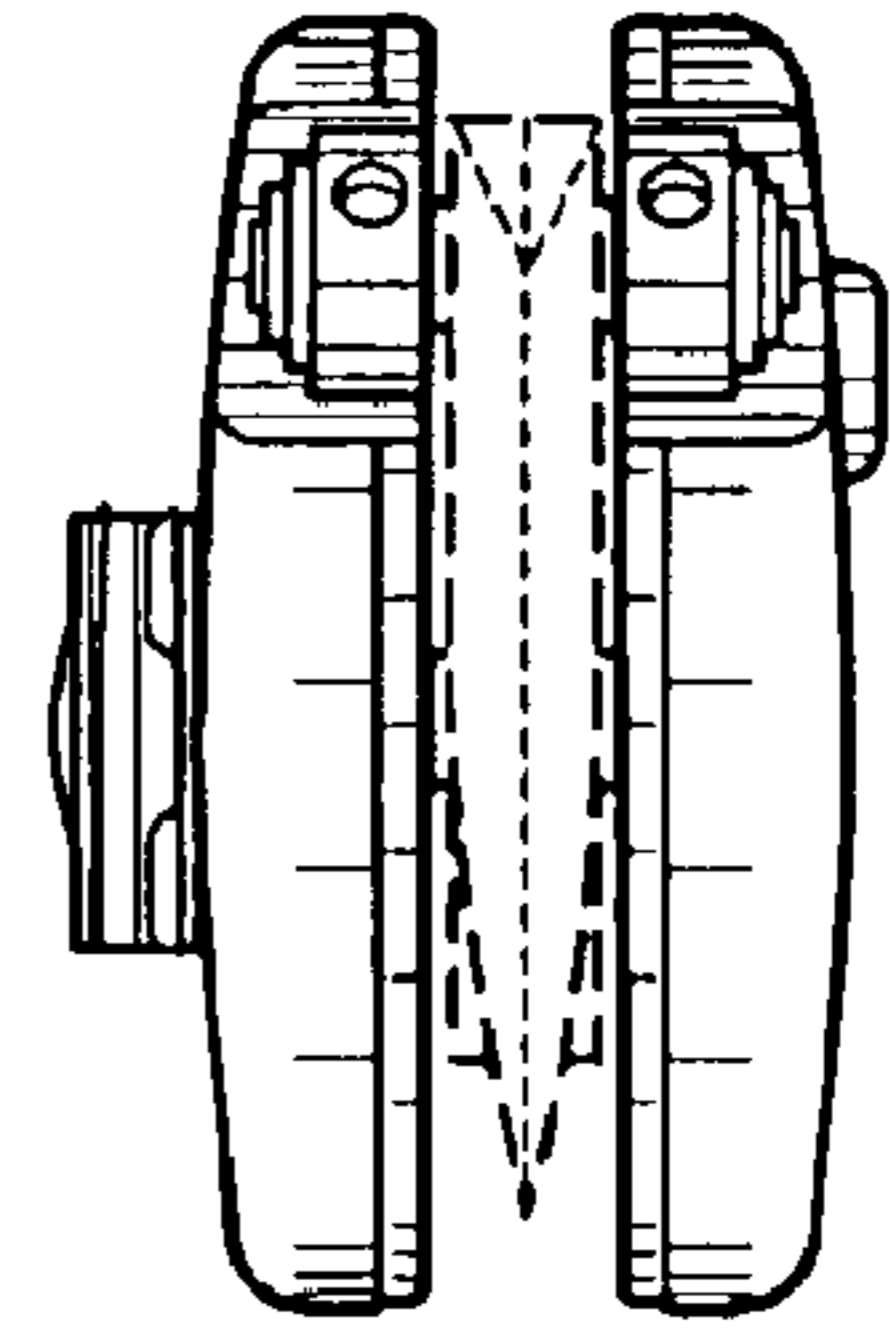
*Fig. 4*



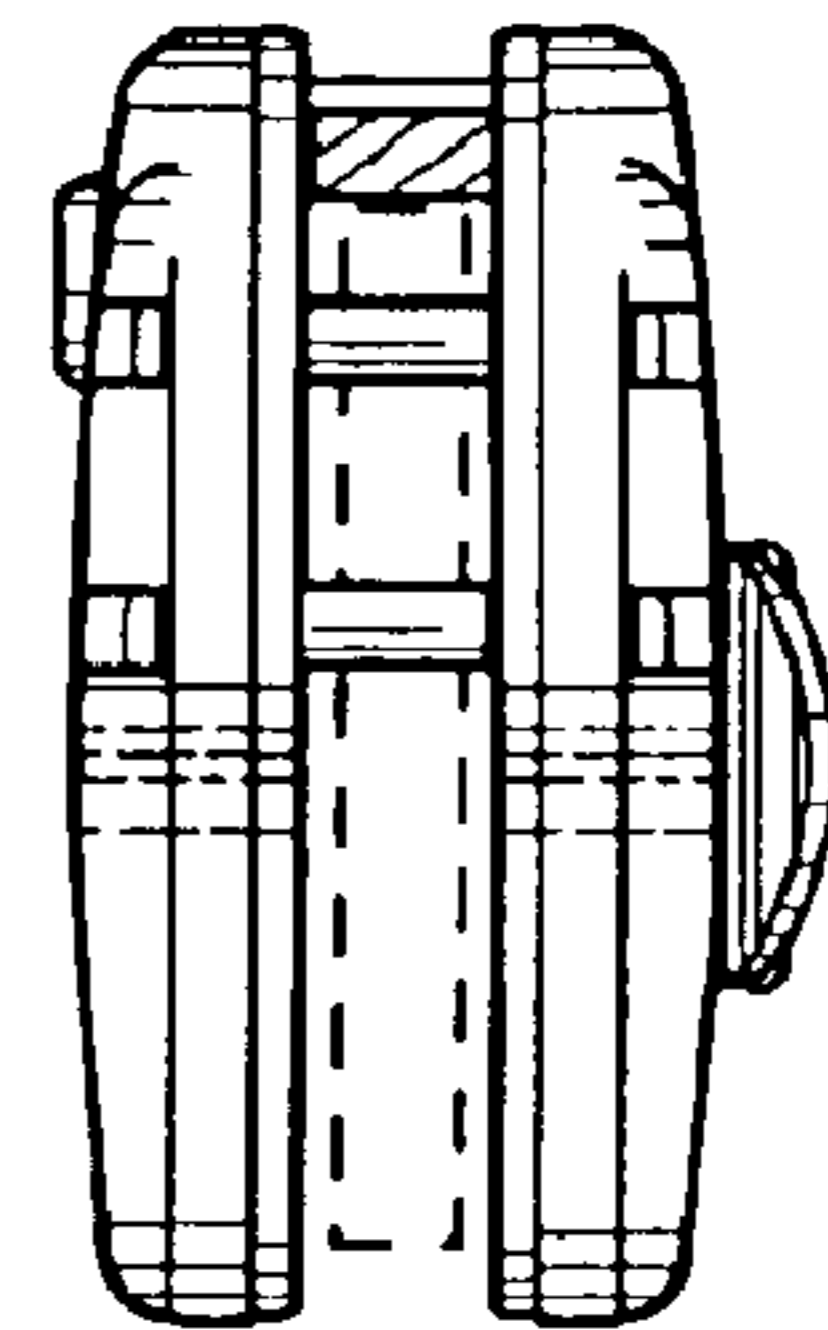
*Fig. 5*



*Fig. 6*



*Fig. 7*



*Fig. 8*