



US00D510246S

(12) **United States Design Patent**  
**Waldron**

(10) **Patent No.:** **US D510,246 S**

(45) **Date of Patent:** **\*\* Oct. 4, 2005**

(54) **ROUTER**

(75) **Inventor:** **Michael Waldron, County Durham (GB)**

(73) **Assignee:** **GMCA Pty Ltd. (AU)**

(\*\*) **Term:** **14 Years**

(21) **Appl. No.:** **29/192,589**

(22) **Filed:** **Oct. 27, 2003**

(51) **LOC (8) Cl. .... 08-01**

(52) **U.S. Cl. .... D8/67**

(58) **Field of Search .... D8/61, 62, 67;**  
144/134.1, 135.2, 136.1, 136.95, 154.5,  
252.1; 409/180, 181, 182; 451/344, 356,  
357

(56) **References Cited**

**U.S. PATENT DOCUMENTS**

- 5,207,253 A \* 5/1993 Hoshino et al. .... 144/136.95
- D340,174 S \* 10/1993 Hoshino et al. .... D8/67
- D349,637 S \* 8/1994 Hoshino et al. .... D8/67
- 5,671,789 A \* 9/1997 Stolzer et al. .... 144/154.5
- D416,460 S \* 11/1999 Bosten et al. .... D8/67

- 5,998,897 A \* 12/1999 Bosten et al. .... 310/89
- 6,182,723 B1 \* 2/2001 Bosten et al. .... 144/154.5
- 6,244,797 B1 \* 6/2001 Wheeler ..... 409/182
- 2003/0007843 A1 \* 1/2003 Cotton et al. .... 409/182

\* cited by examiner

*Primary Examiner*—Jeffrey Asch

*Assistant Examiner*—Elizabeth Albert

(74) *Attorney, Agent, or Firm*—McKee, Voorhees & Sease, P.L.C.

(57) **CLAIM**

The ornamental design for a router, as shown and described.

**DESCRIPTION**

FIG. 1 is a front view of the router.

FIG. 2 is a rear view of the router.

FIG. 3 is a side view of the router.

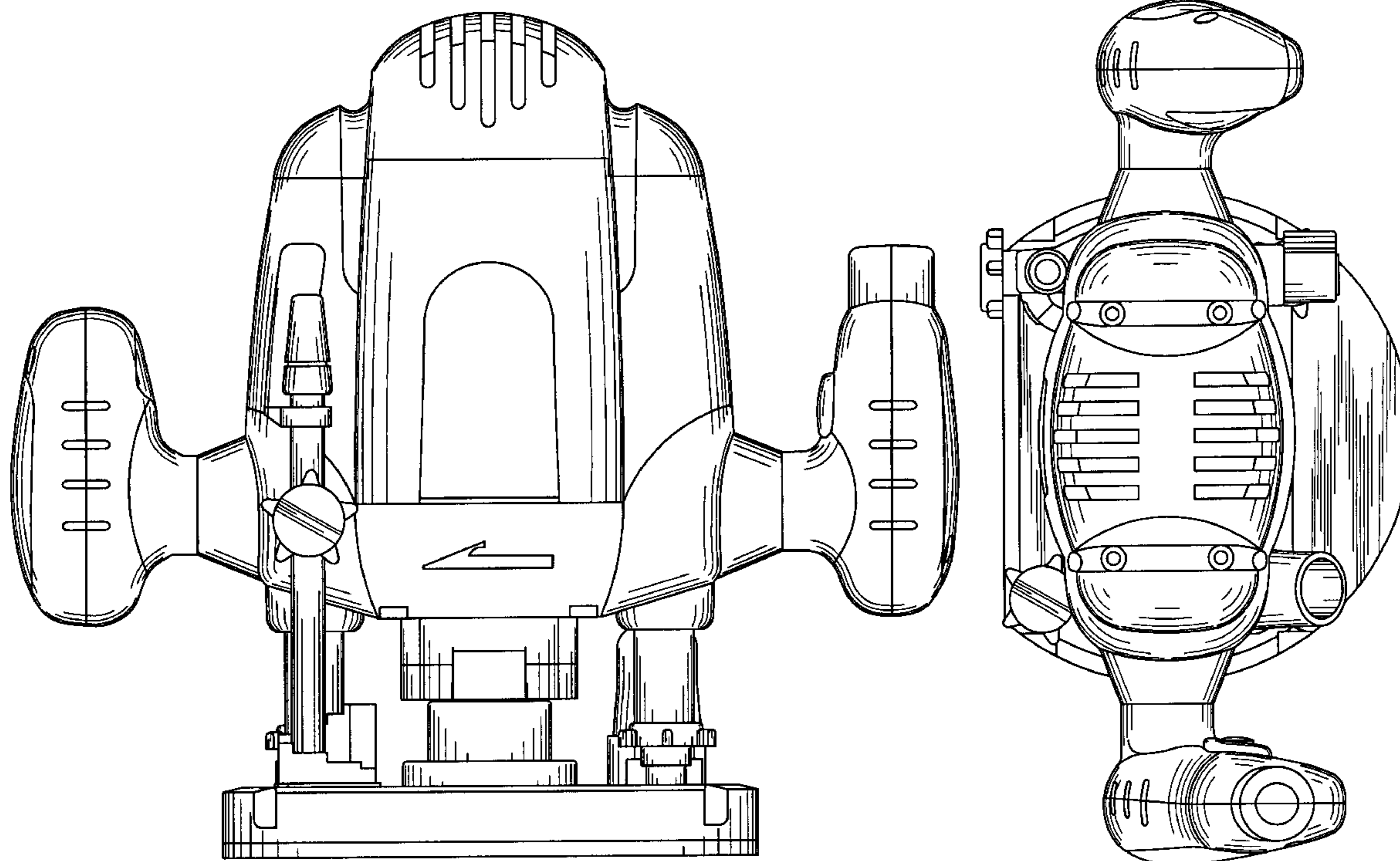
FIG. 4 is an opposite side view of the router.

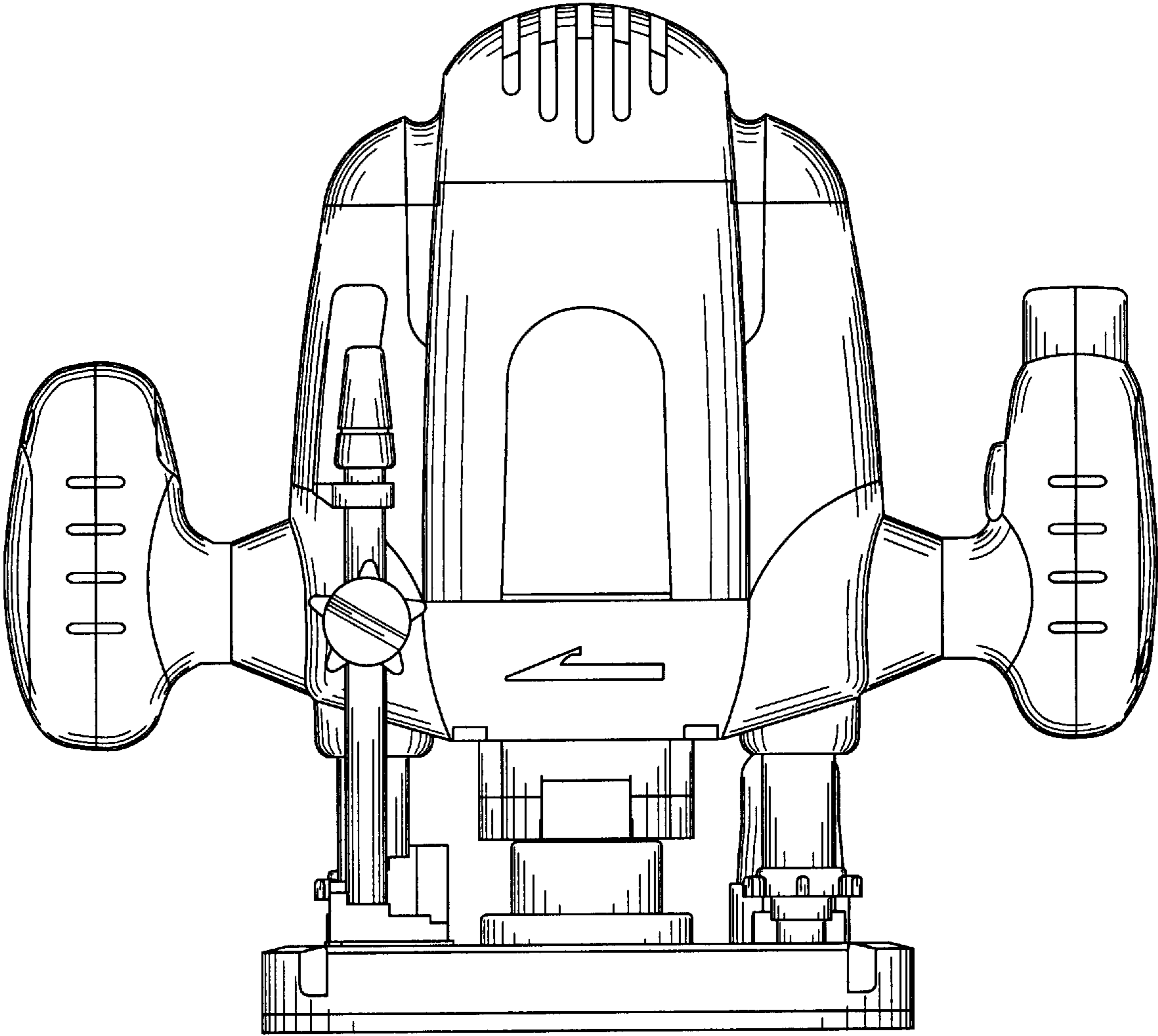
FIG. 5 is a bottom plan view of the router; and,

FIG. 6 is a top plan view of the router.

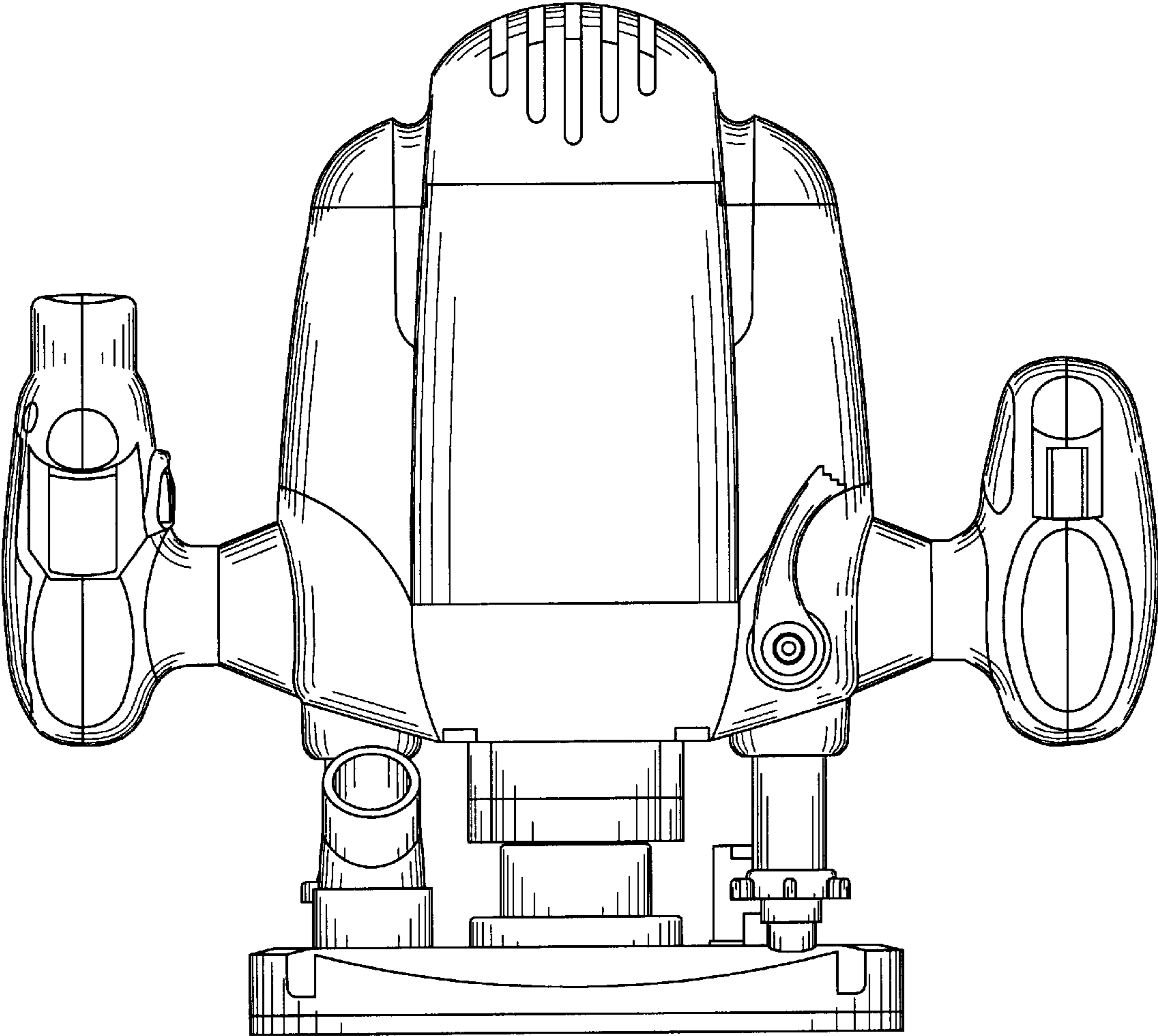
The broken lines showing environment in the drawings are for information purposes only and form no part of the claimed design.

**1 Claim, 6 Drawing Sheets**

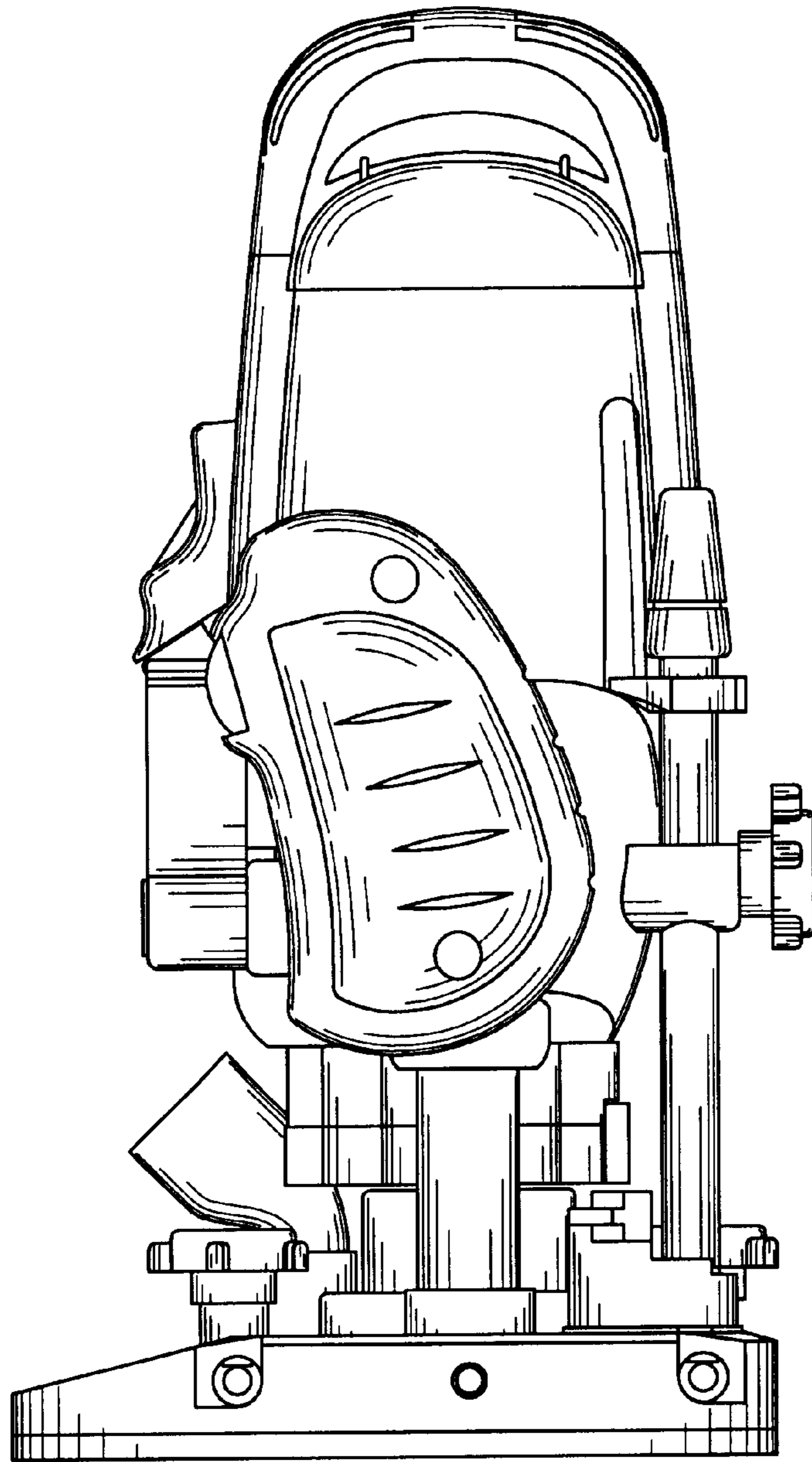




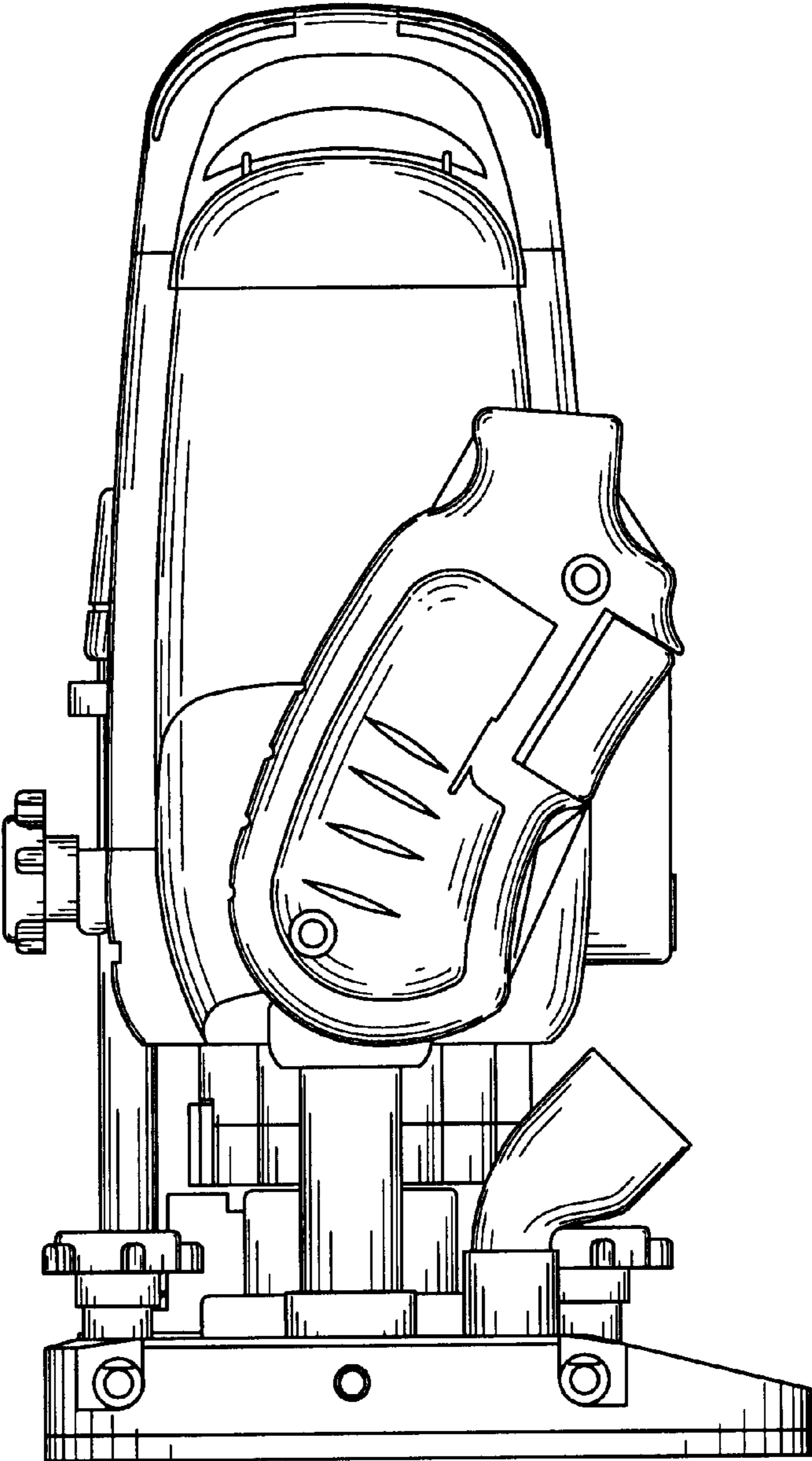
*Fig. 1*



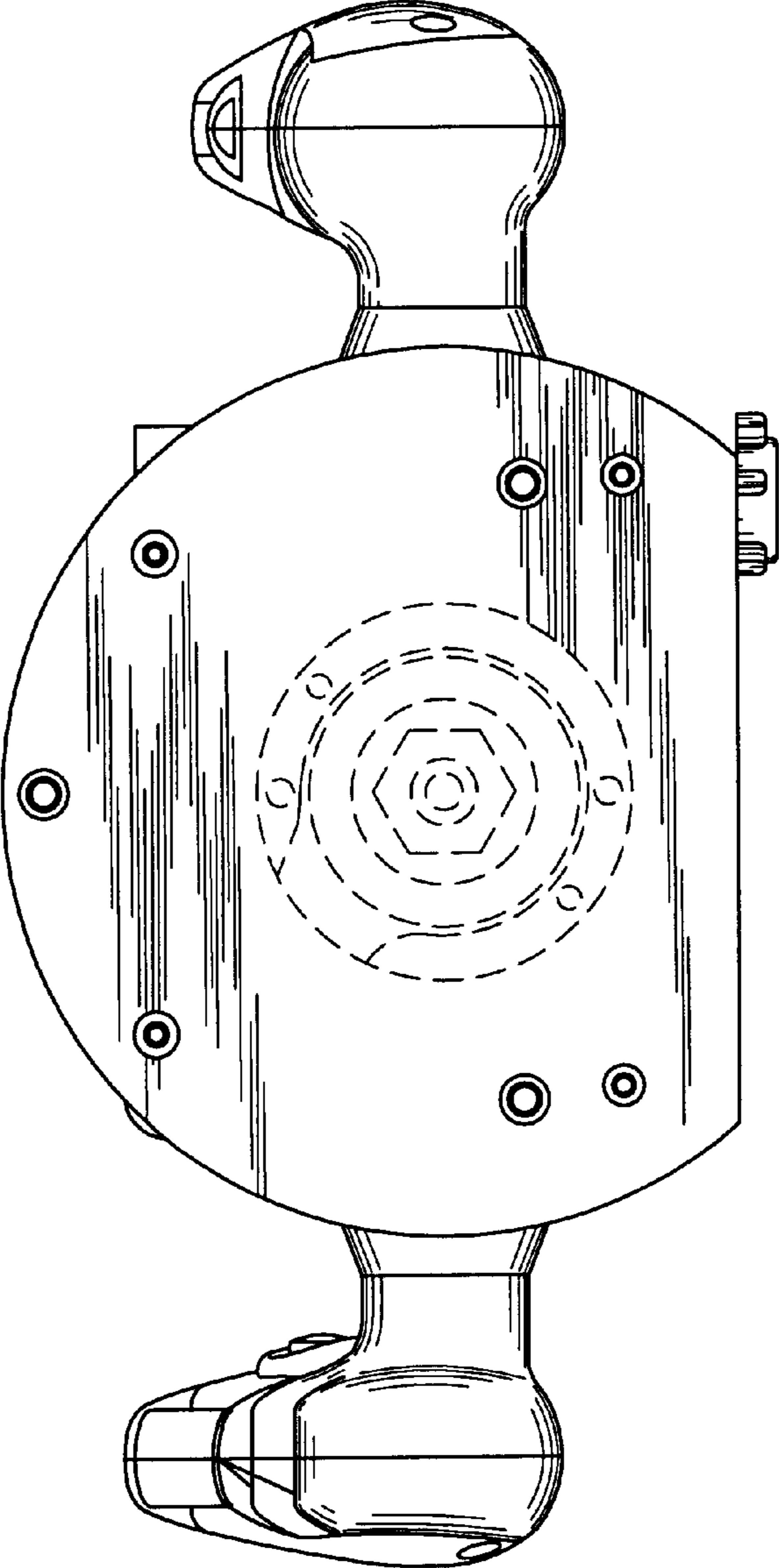
*Fig. 2*



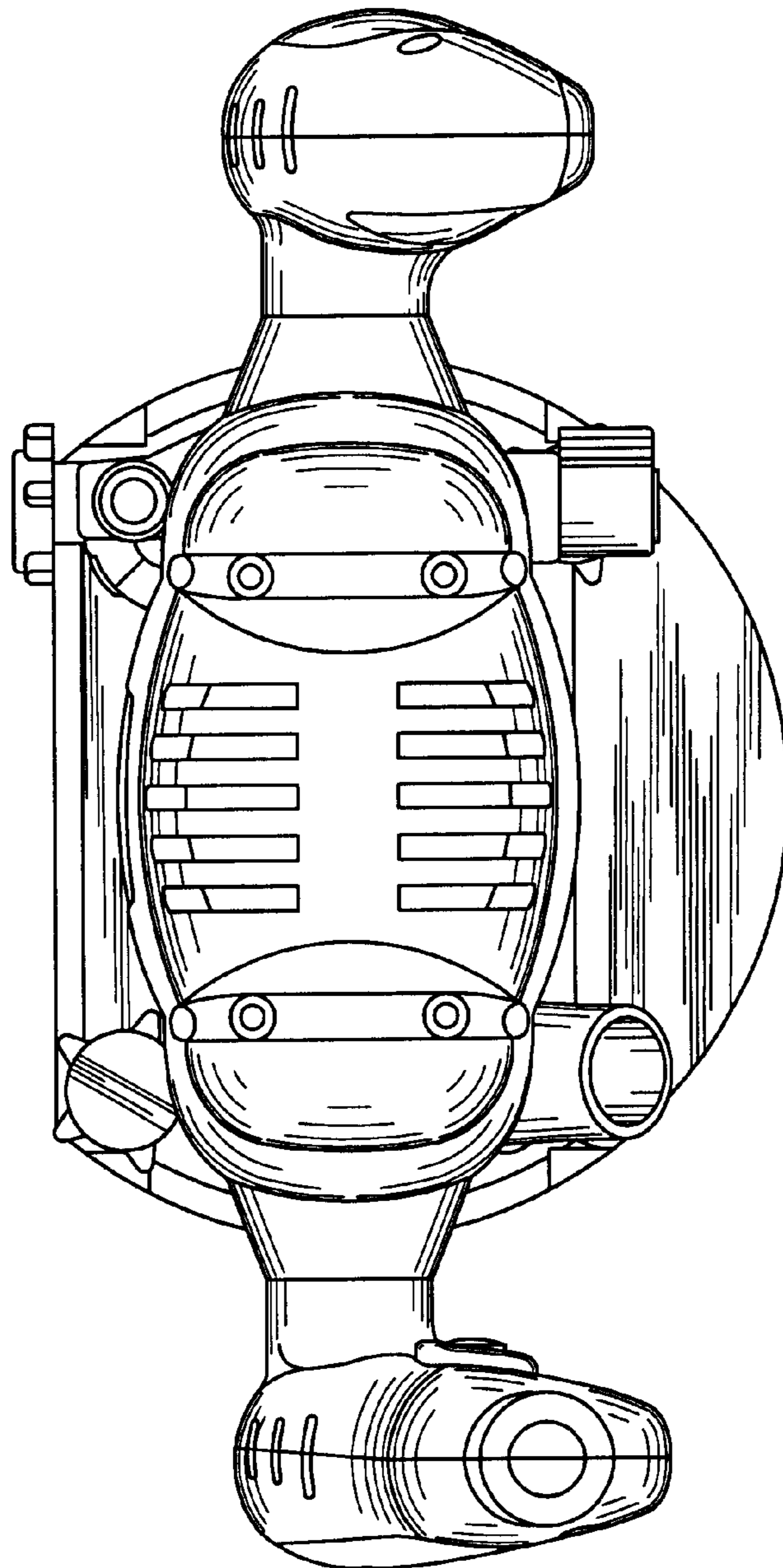
*Fig. 3*



*Fig. 4*



*Fig. 5*



*Fig. 6*