



US00D510243S

(12) **United States Design Patent**
Lee

(10) **Patent No.:** **US D510,243 S**
(45) **Date of Patent:** **** Oct. 4, 2005**

- (54) **GLUE GUN**
- (75) **Inventor:** **Grace Lee, Chia Yi Hsien (TW)**
- (73) **Assignee:** **Homeease Industrial Co., Ltd. (TW)**
- (**) **Term:** **14 Years**
- (21) **Appl. No.:** **29/189,880**
- (22) **Filed:** **Sep. 12, 2003**
- (51) **LOC (8) Cl.** **08-05**
- (52) **U.S. Cl.** **D8/30**
- (58) **Field of Search** D8/14.1, 29.1,
D8/30; 222/146.1, 146.5; 239/390, 397

- D404,622 S * 1/1999 Singleton D8/29.1
- D412,432 S * 8/1999 Bokros D8/30
- 6,170,709 B1 * 1/2001 Huang 222/146.5

* cited by examiner

Primary Examiner—Philip S. Hyder
(74) *Attorney, Agent, or Firm*—Stites & Harbison PLLC;
Marvin Petry

(57) **CLAIM**

The ornamental design for a glue gun, as shown.

DESCRIPTION

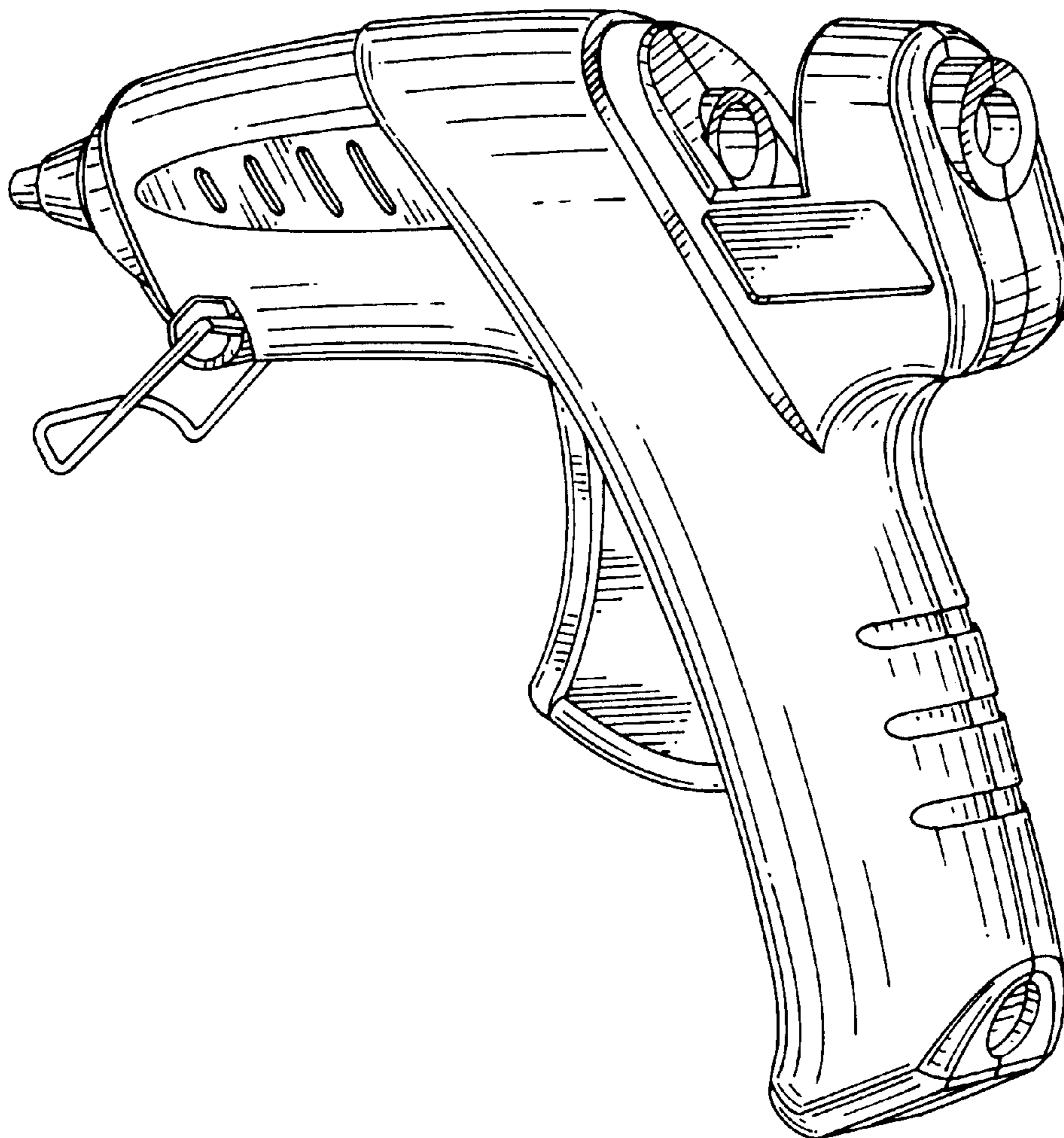
FIG. 1 is a perspective view of the glue gun showing my new design;
FIG. 2 is a right side elevational view thereof;
FIG. 3 is a top plan view thereof;
FIG. 4 is a front elevational view thereof;
FIG. 5 is a bottom plan view thereof;
FIG. 6 is a left side elevational view thereof; and,
FIG. 7 is a rear elevational view thereof.

(56) **References Cited**

U.S. PATENT DOCUMENTS

- D303,612 S * 9/1989 Knispel D8/14.1
- 4,951,846 A * 8/1990 Oster et al. 222/146.5
- D315,852 S * 4/1991 Nusse et al. D8/30
- D316,019 S * 4/1991 Belanger D8/30

1 Claim, 4 Drawing Sheets



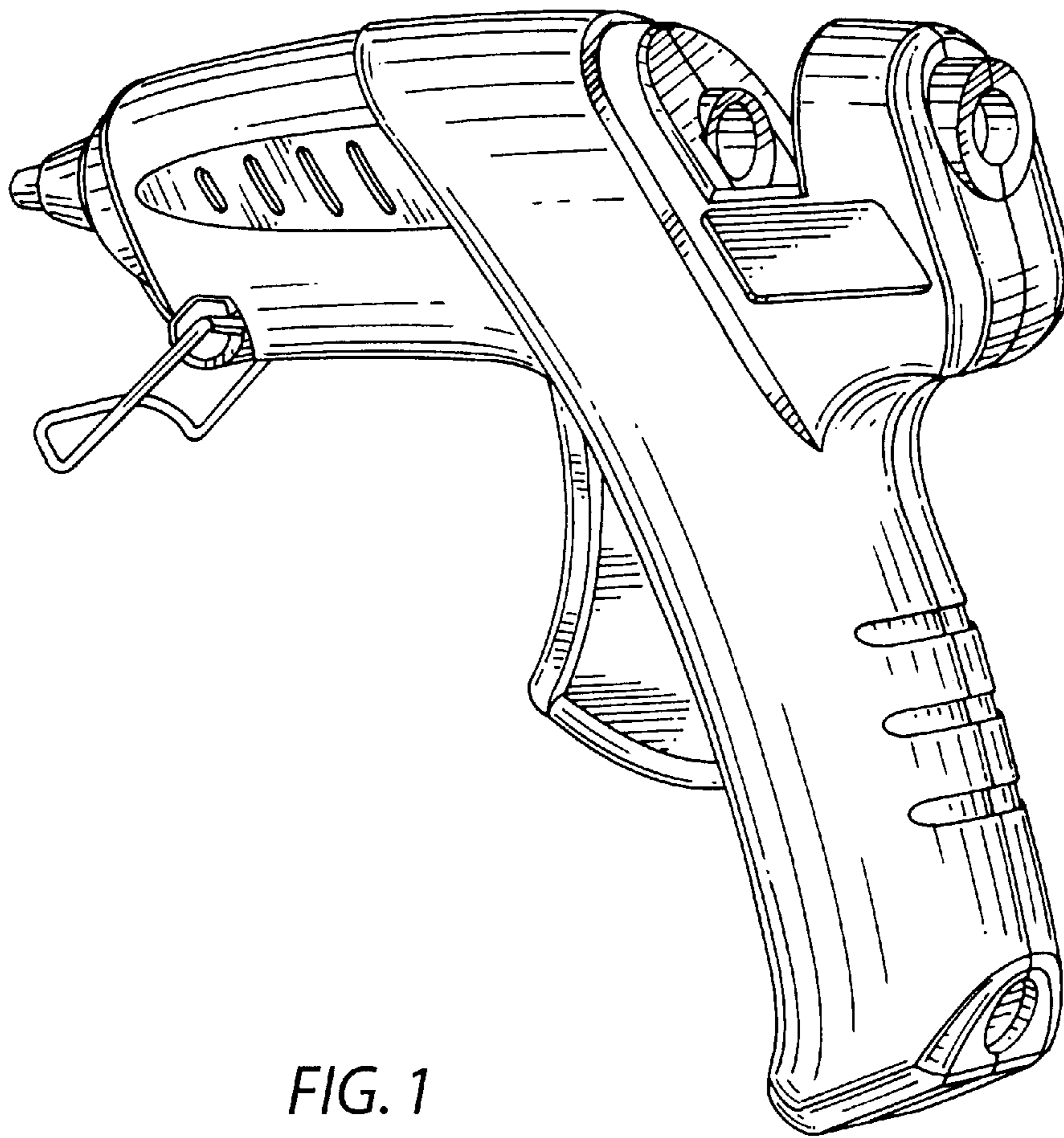


FIG. 1

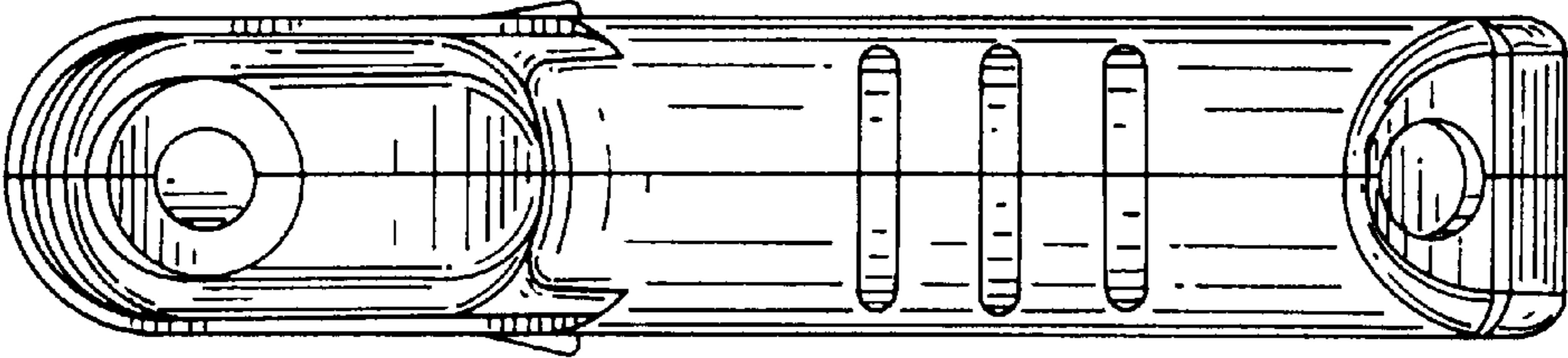


FIG. 2

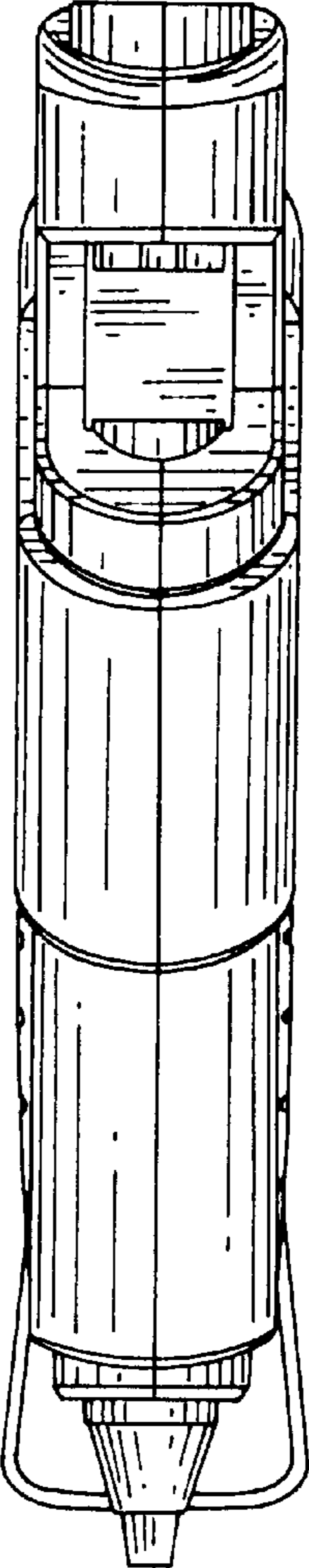


FIG. 3

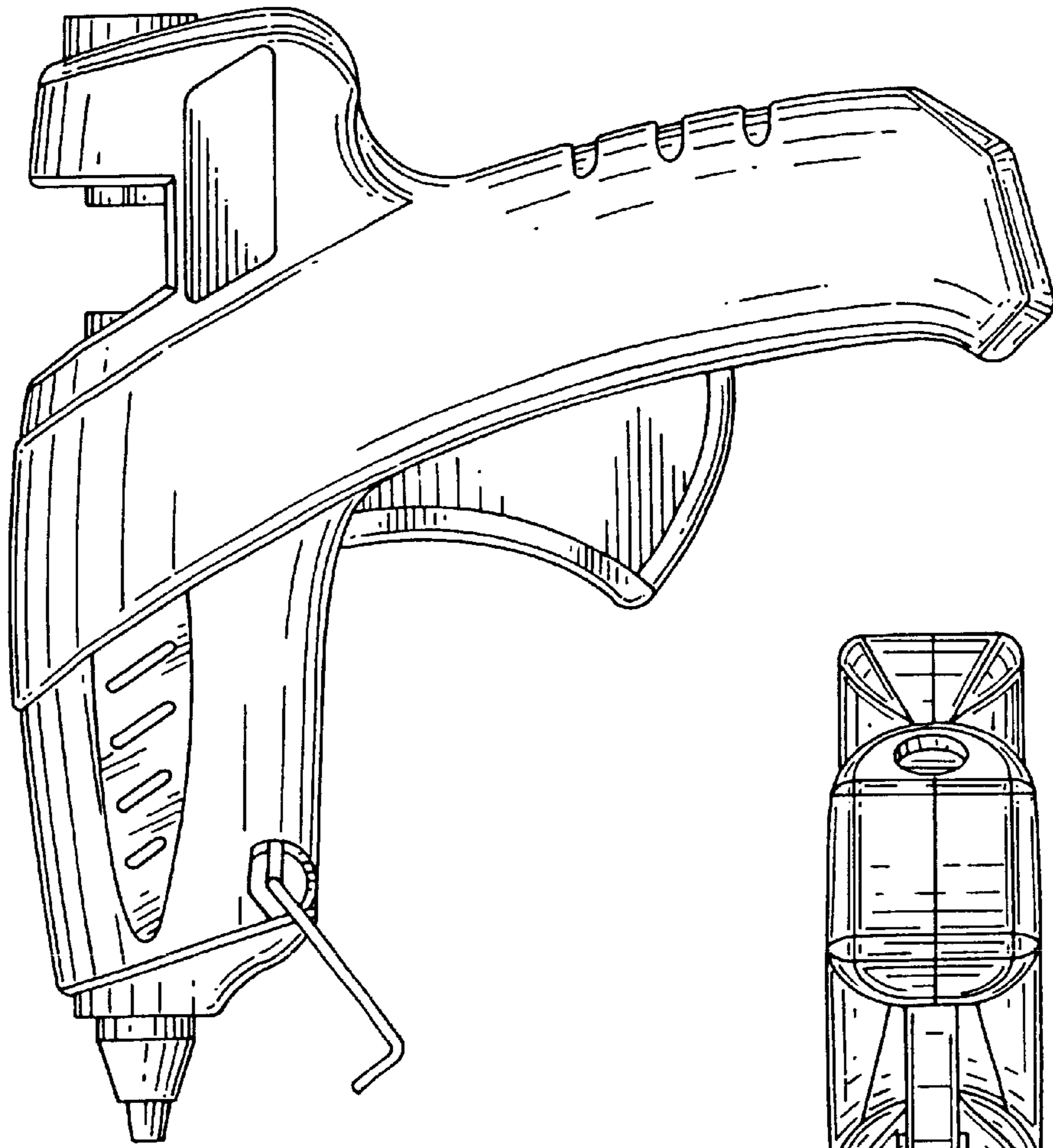


FIG. 4

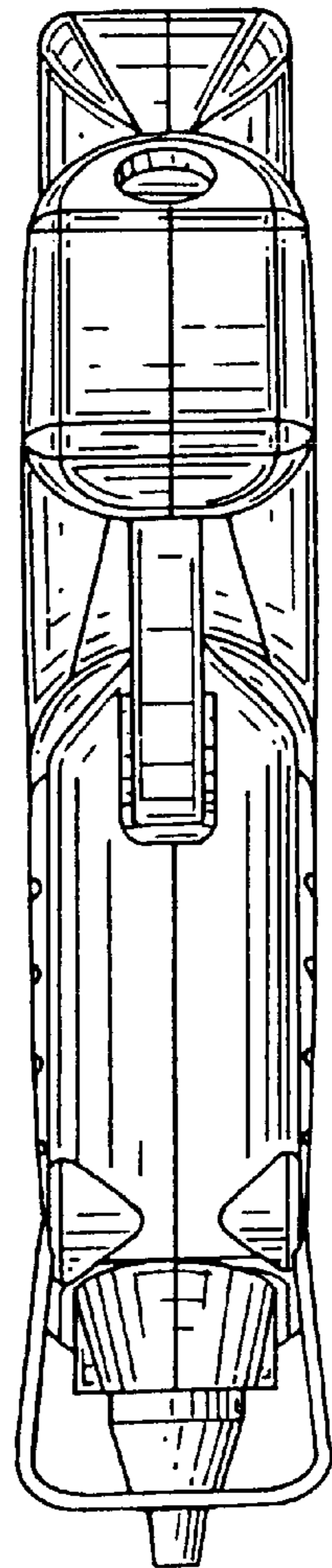


FIG. 5

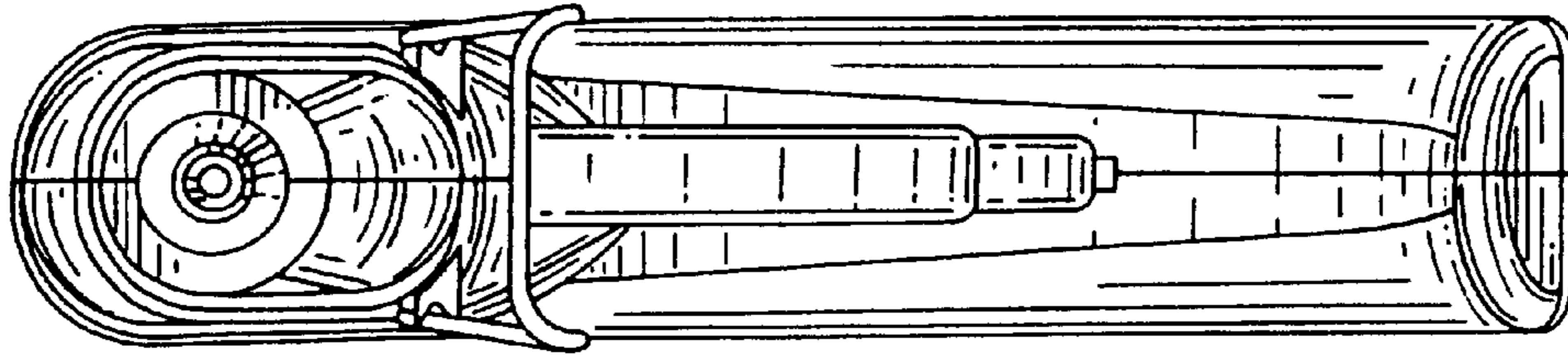


FIG. 6

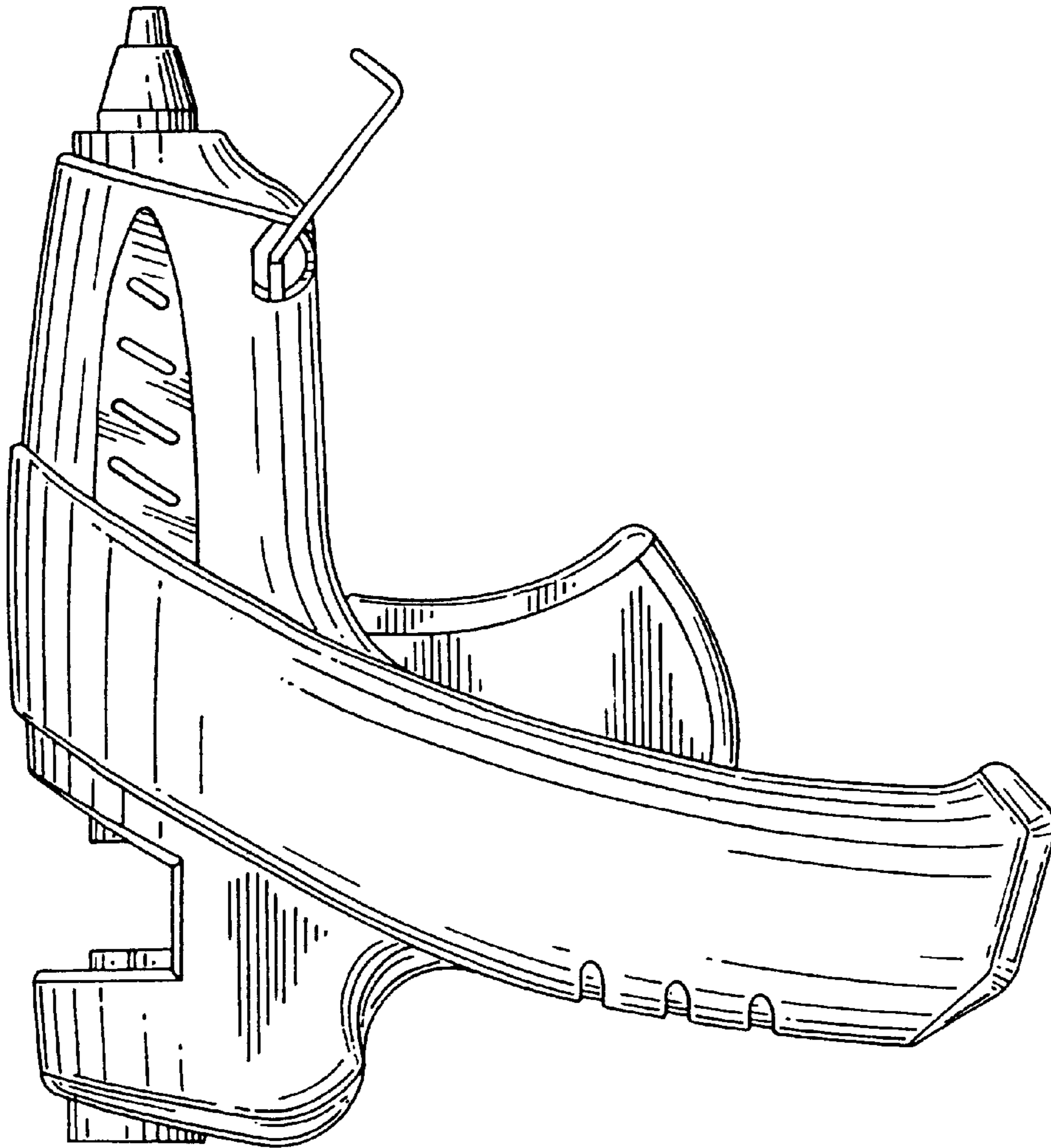


FIG. 7