



US00D510242S

(12) **United States Design Patent**
Chen

(10) **Patent No.:** **US D510,242 S**

(45) **Date of Patent:** **** Oct. 4, 2005**

(54) **GREASE GUN**

D490,671 S * 6/2004 Hung D8/14.1

(76) **Inventor:** **Shang-Hsien Chen**, No. 27, Sec. 3,
Chung-Shan Rd., Tan-Tzu Hsiang,
Taichung Hsien (TW)

* cited by examiner

Primary Examiner—Holly H. Baynham
(74) *Attorney, Agent, or Firm*—Fulwider Patton Lee &
Utecht, LLP

(**) **Term:** **14 Years**

(57) **CLAIM**

(21) **Appl. No.:** **29/206,119**

The ornamental design for grease gun, as shown and described.

(22) **Filed:** **May 26, 2004**

DESCRIPTION

(51) **LOC (8) Cl.** **08-05**

FIG. 1 is a perspective view of grease gun showing my new design;

(52) **U.S. Cl.** **D8/14.1**

FIG. 2 is a front elevational view thereof;

(58) **Field of Search** D8/14.1, 29.1;

FIG. 3 is a rear elevational view thereof;

222/262

FIG. 4 is a left side elevational view thereof;

(56) **References Cited**

FIG. 5 is a right side elevational view thereof;

U.S. PATENT DOCUMENTS

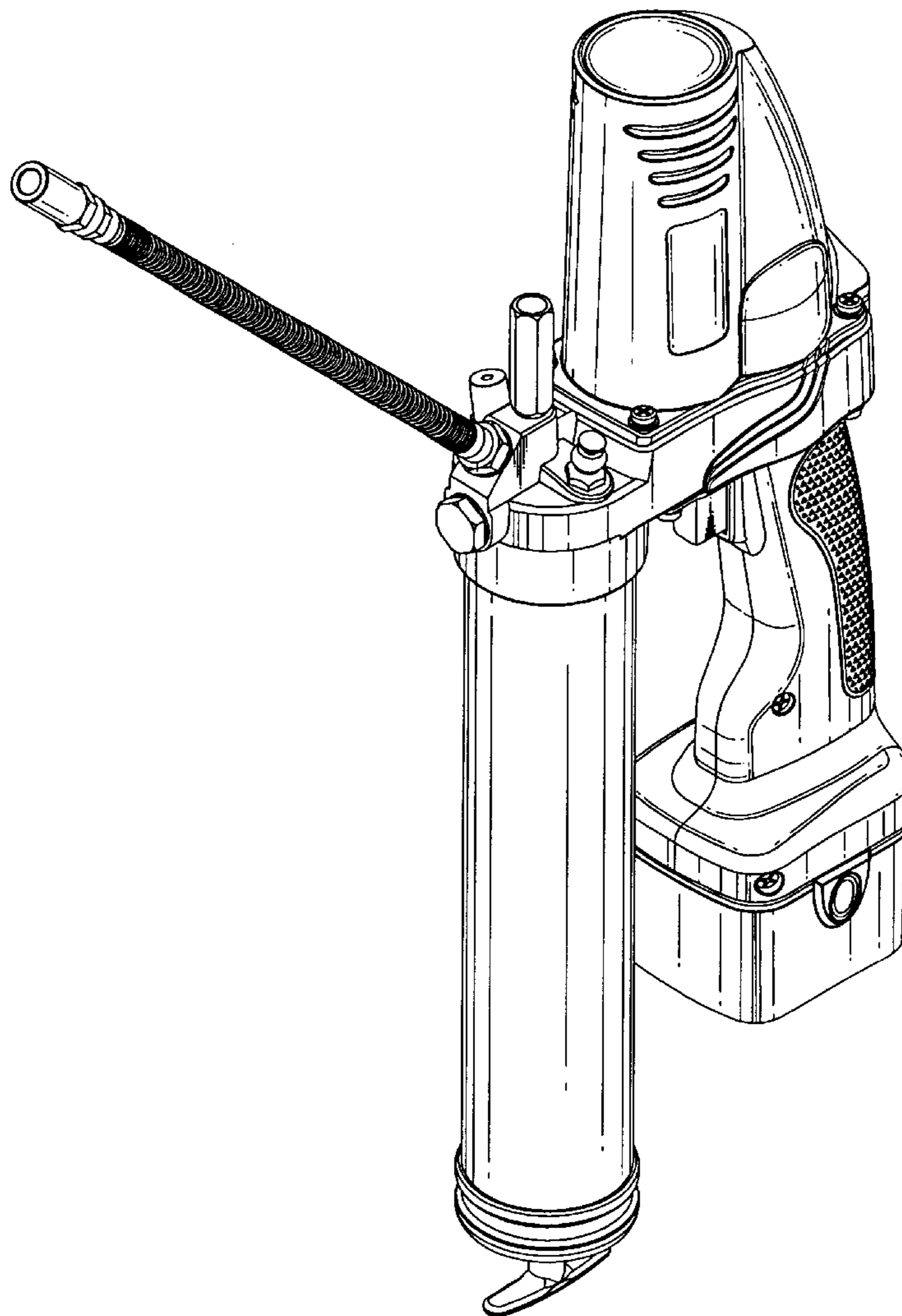
FIG. 6 is a top plan view thereof; and,

D409,059 S * 5/1999 Wilson et al. D8/14.1

FIG. 7 is a bottom plan view thereof.

D427,864 S * 7/2000 Kowalchik et al. D8/14.1

1 Claim, 7 Drawing Sheets



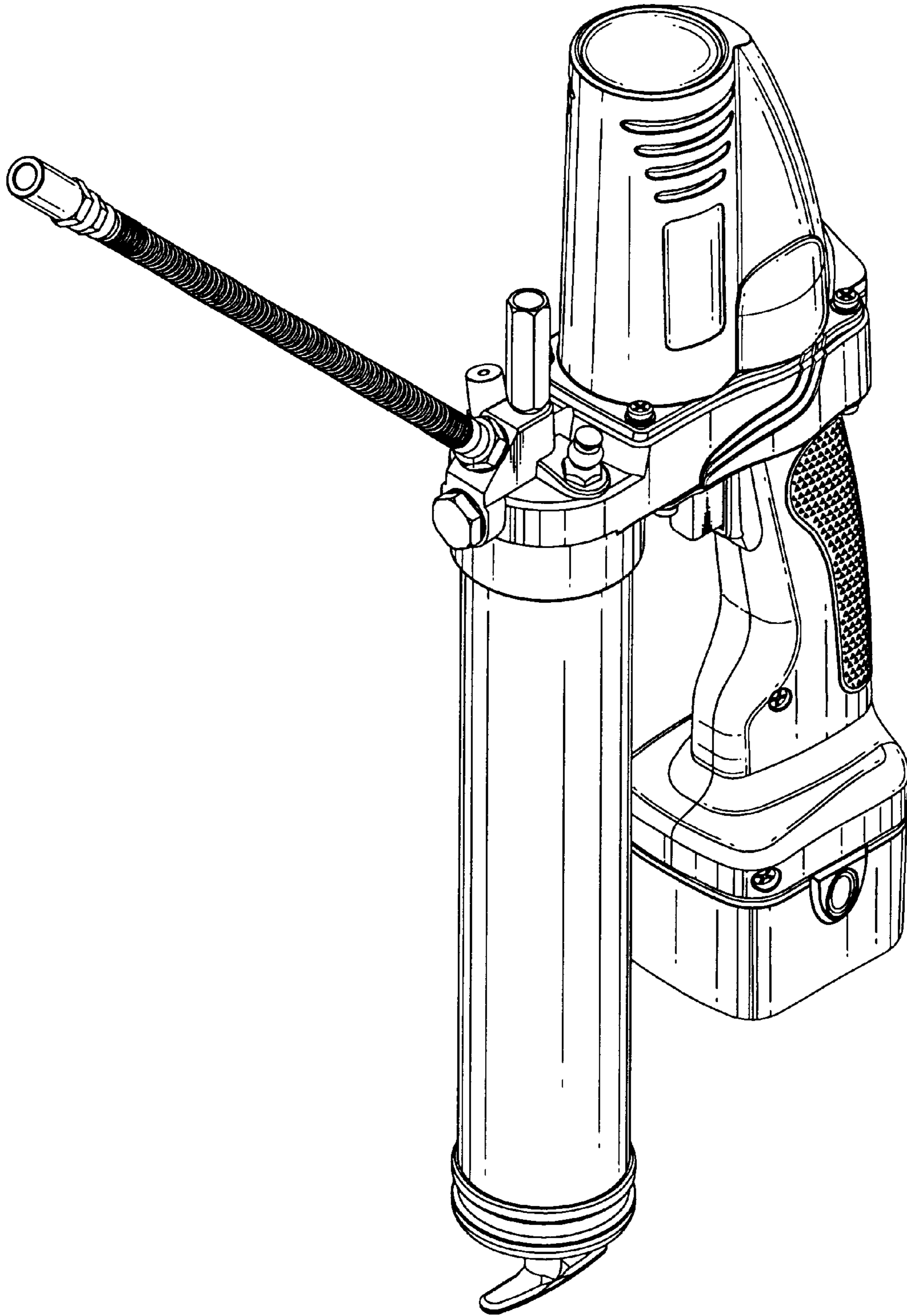


FIG. 1

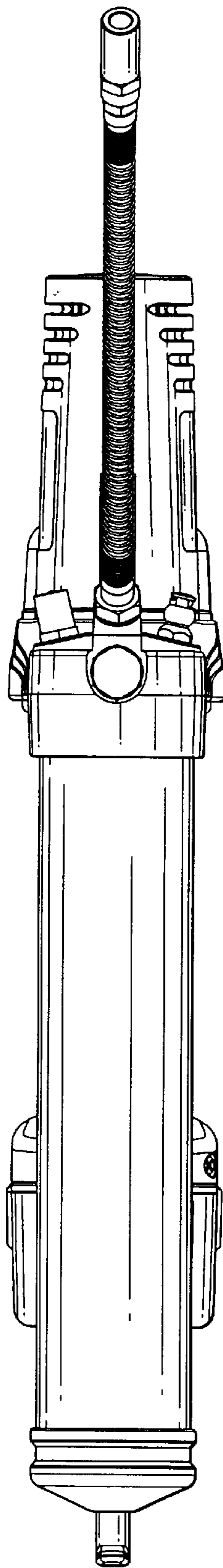


FIG. 2

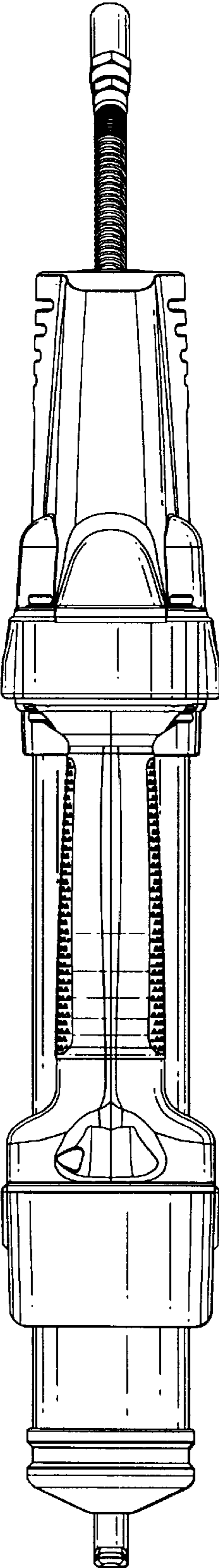


FIG. 3

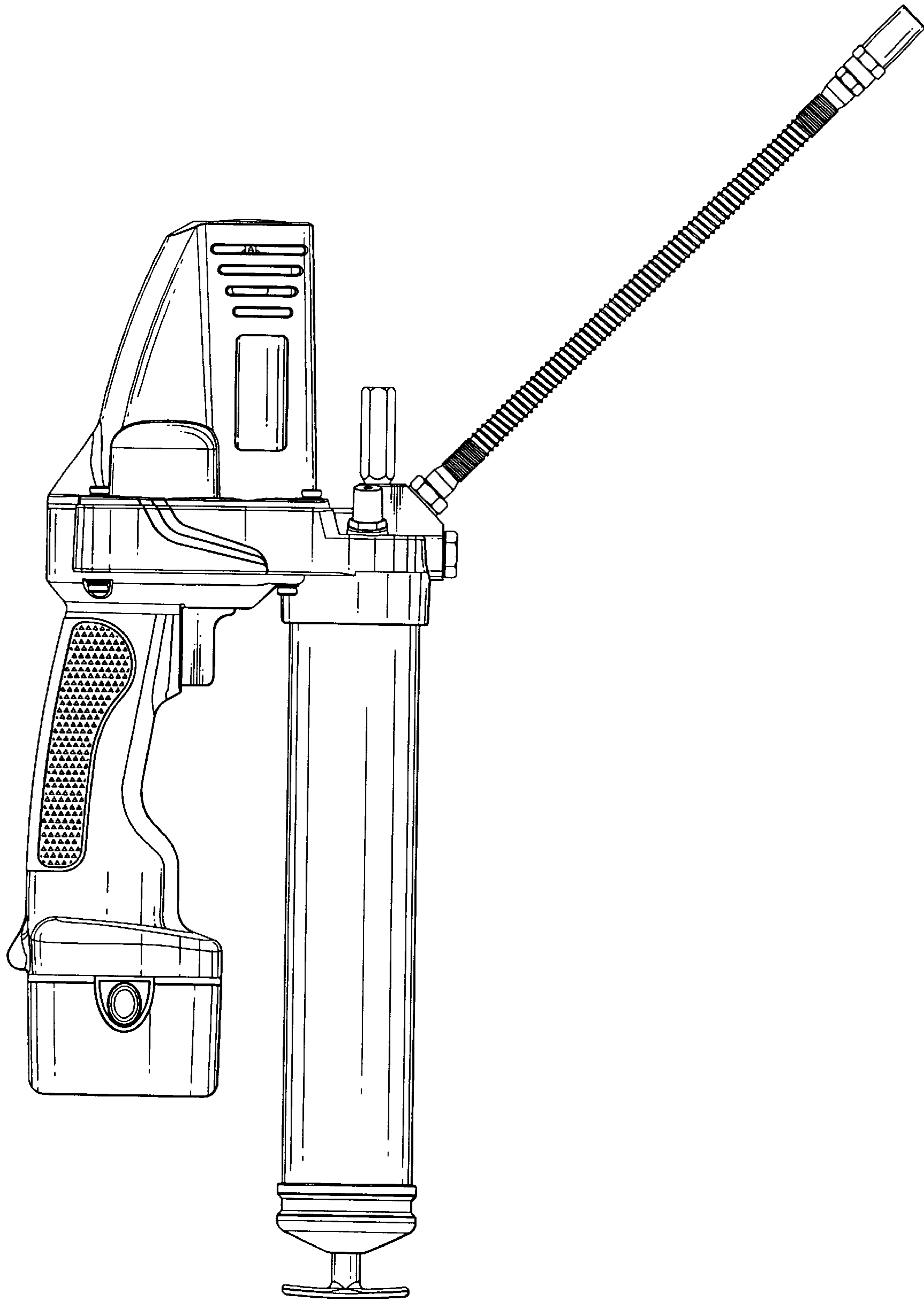


FIG. 4

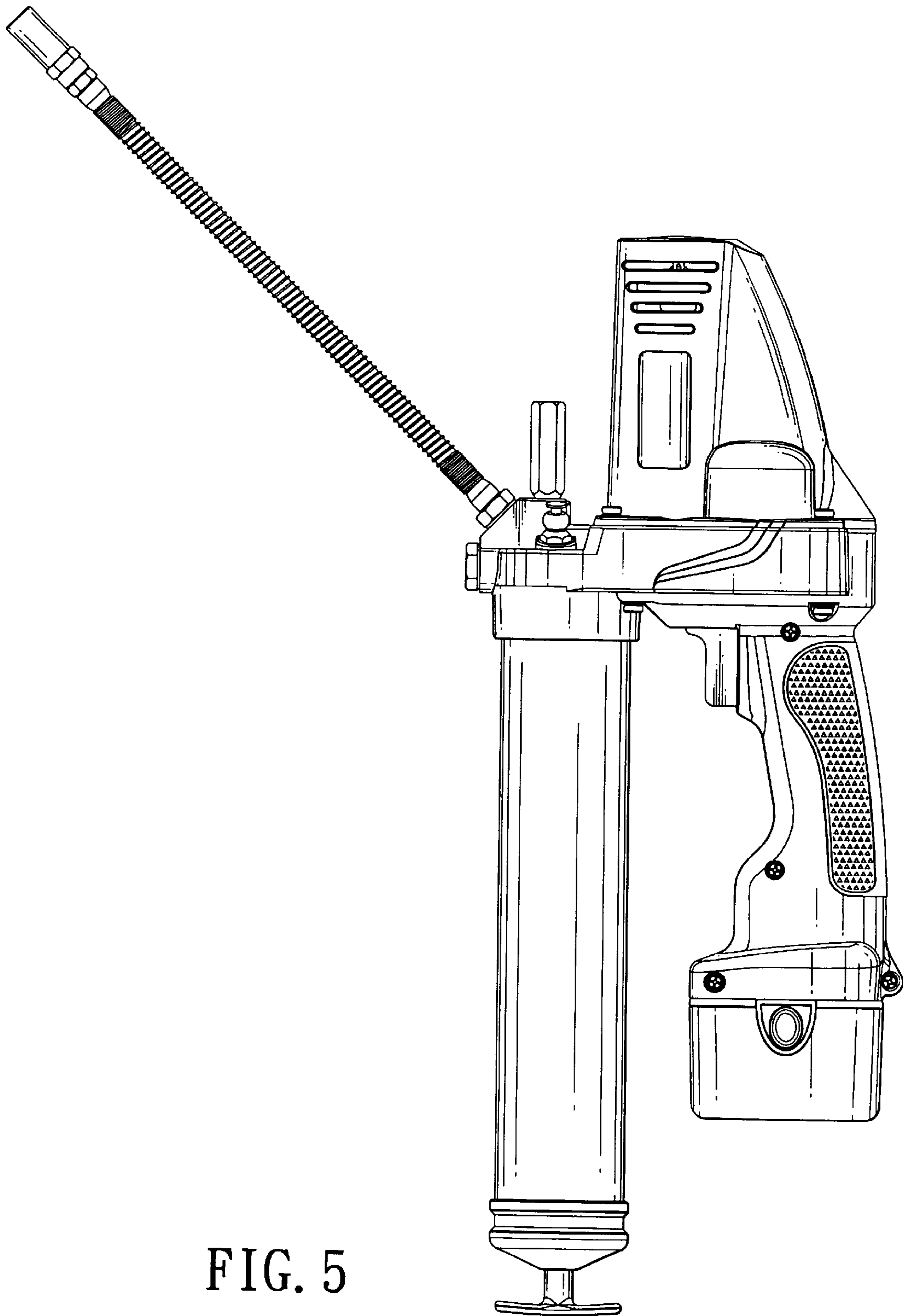


FIG. 5

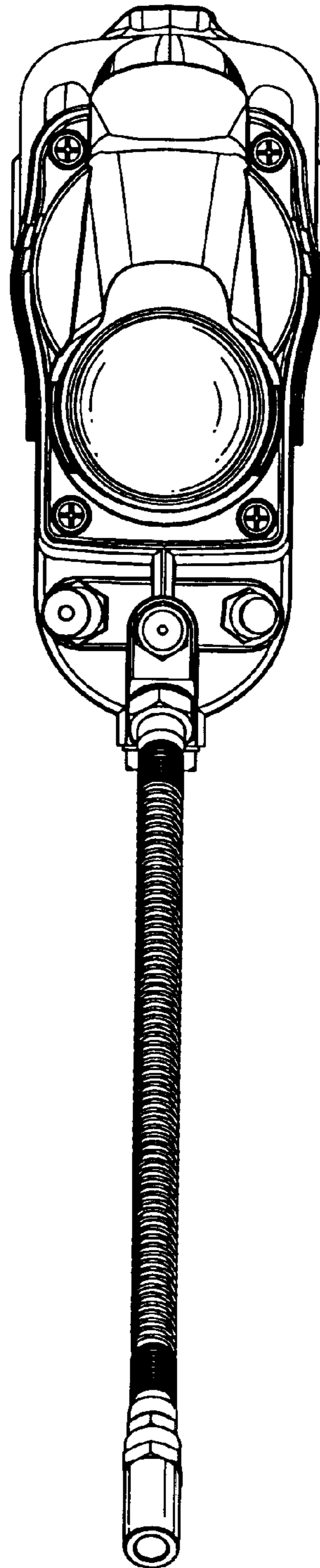


FIG. 6

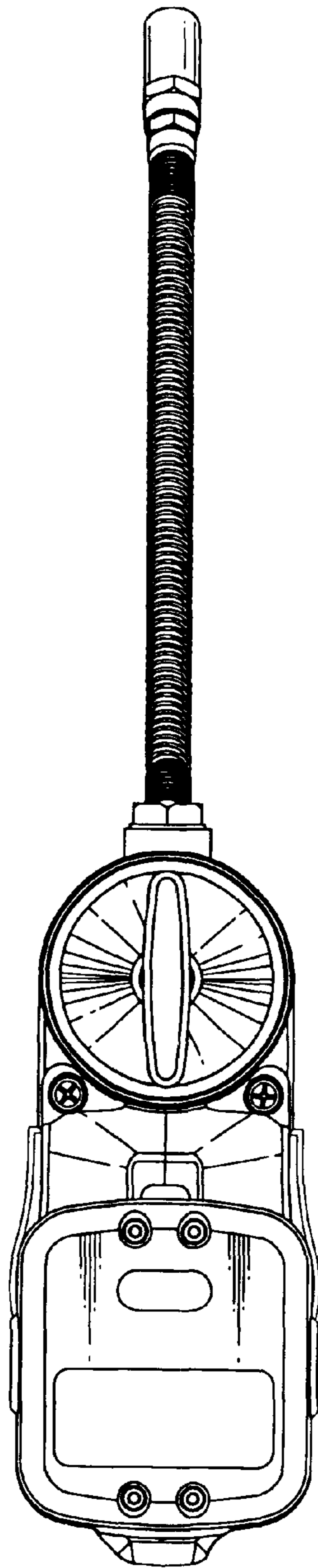


FIG. 7