



US00D510238S

(12) **United States Design Patent**
Yen

(10) **Patent No.:** **US D510,238 S**

(45) **Date of Patent:** **** Oct. 4, 2005**

(54) **MAIN MACHINE OF JUICE EXTRACTOR**

D473,099 S * 4/2003 Yamamoto et al. D7/378

(76) **Inventor:** **Jen Yen Yen**, 235 Chung-Ho Box 8-24,
Taipei (TW)

* cited by examiner

Primary Examiner—Terry A. Wallace

(**) **Term:** **14 Years**

(57) **CLAIM**

(21) **Appl. No.:** **29/200,985**

The ornamental design for a main machine of juice extractor,
as shown and described.

(22) **Filed:** **Mar. 9, 2004**

DESCRIPTION

(51) **LOC (8) Cl.** **31-00**

(52) **U.S. Cl.** **D7/665; D7/378**

(58) **Field of Search** D7/665, 666, 376–386,
D7/412; 241/101.01, 101.2, 274, 277, 285.1–285.3;
366/129, 130, 197, 207, 219, 221, 241,
254, 341

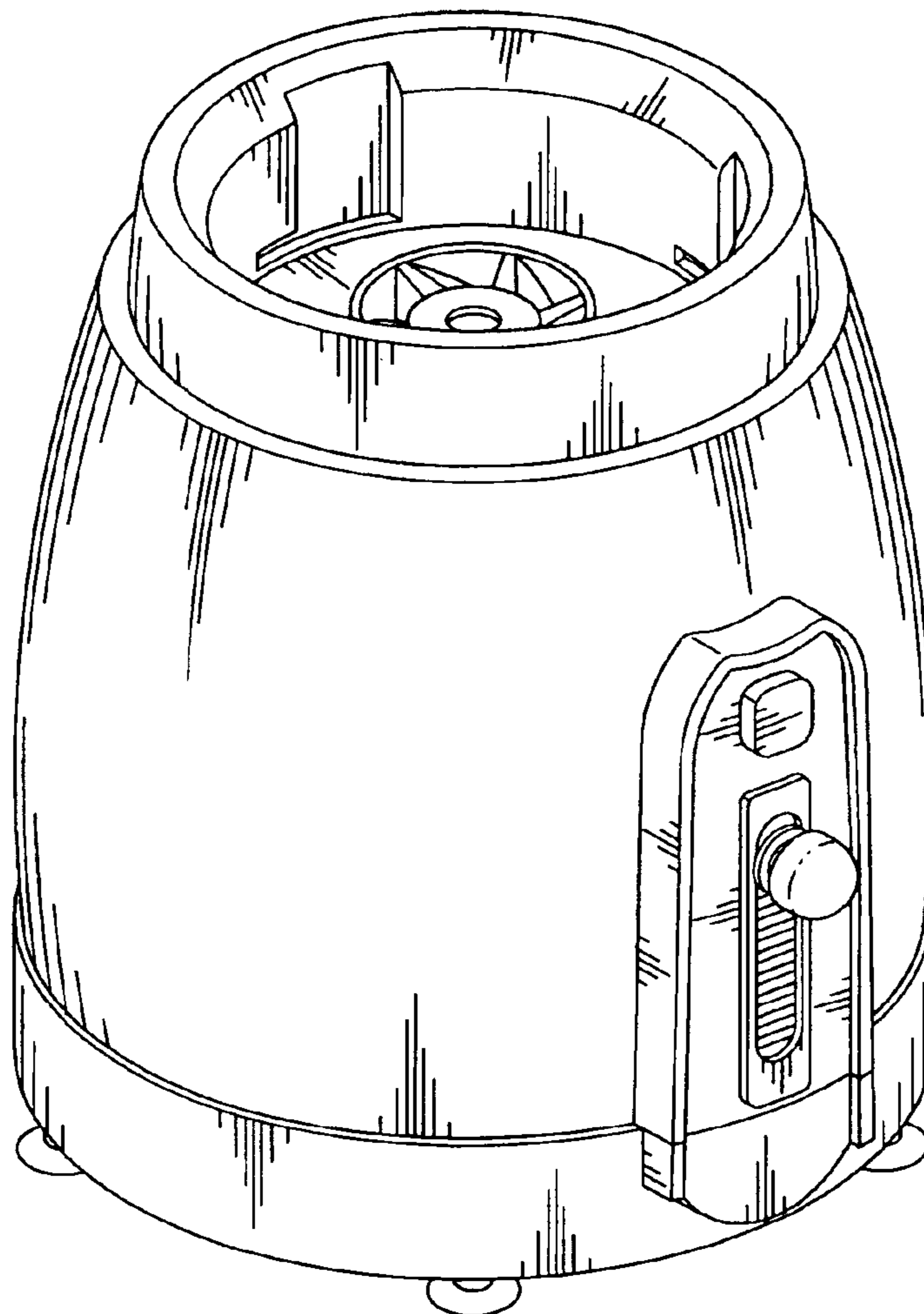
FIG. 1 is a front elevational view thereof.
FIG. 2 is a rear elevational view thereof.
FIG. 3 is a left side view thereof.
FIG. 4 is a right side view thereof.
FIG. 5 is a top plan view thereof.
FIG. 6 is a bottom plan view thereof; and,
FIG. 7 is a perspective view of a main machine of juice
extractor showing my new design.

(56) **References Cited**

U.S. PATENT DOCUMENTS

D412,809 S * 8/1999 Toro et al. D7/378
D448,967 S * 10/2001 Planca et al. D7/378

1 Claim, 4 Drawing Sheets



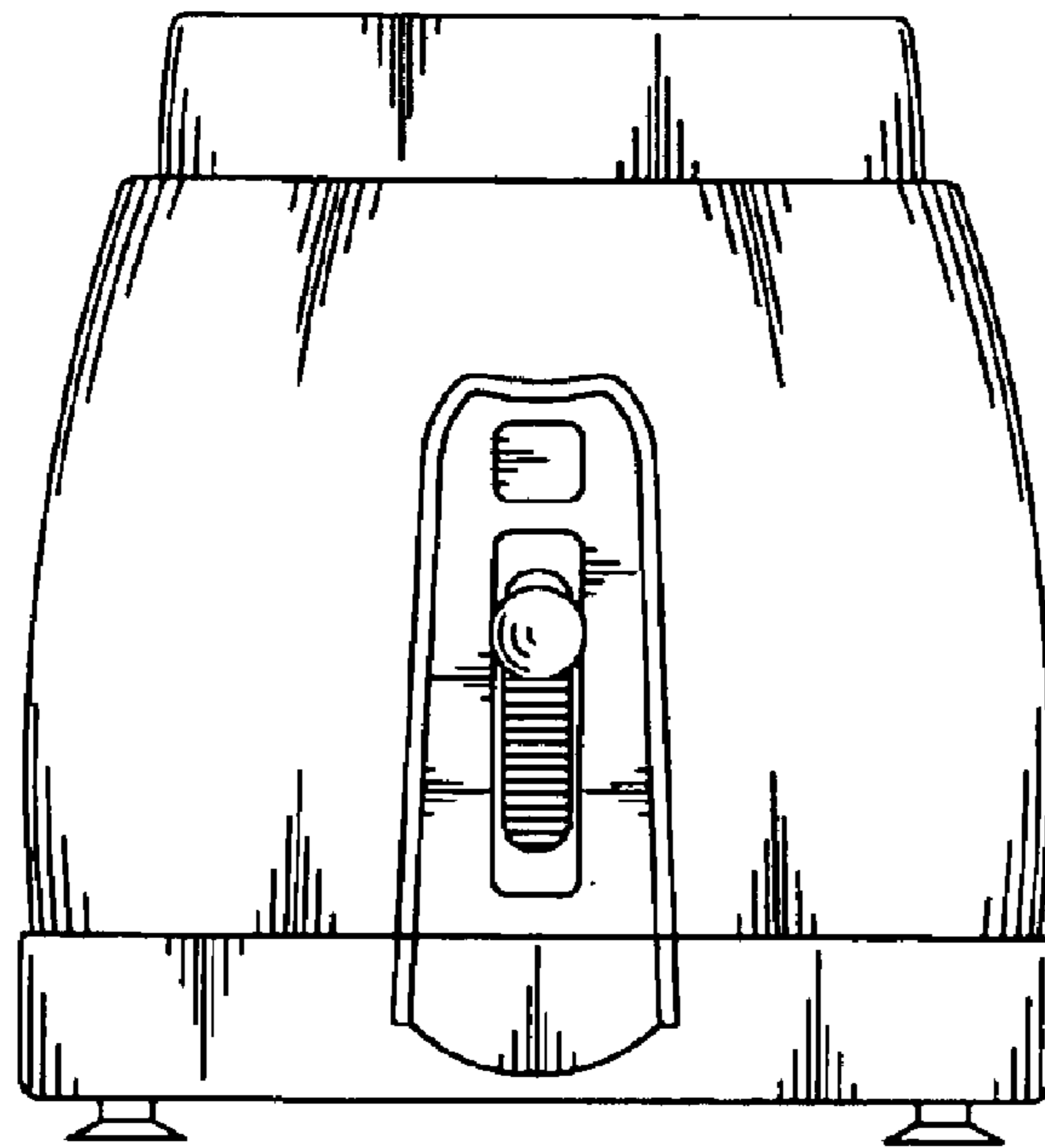


Fig. 1

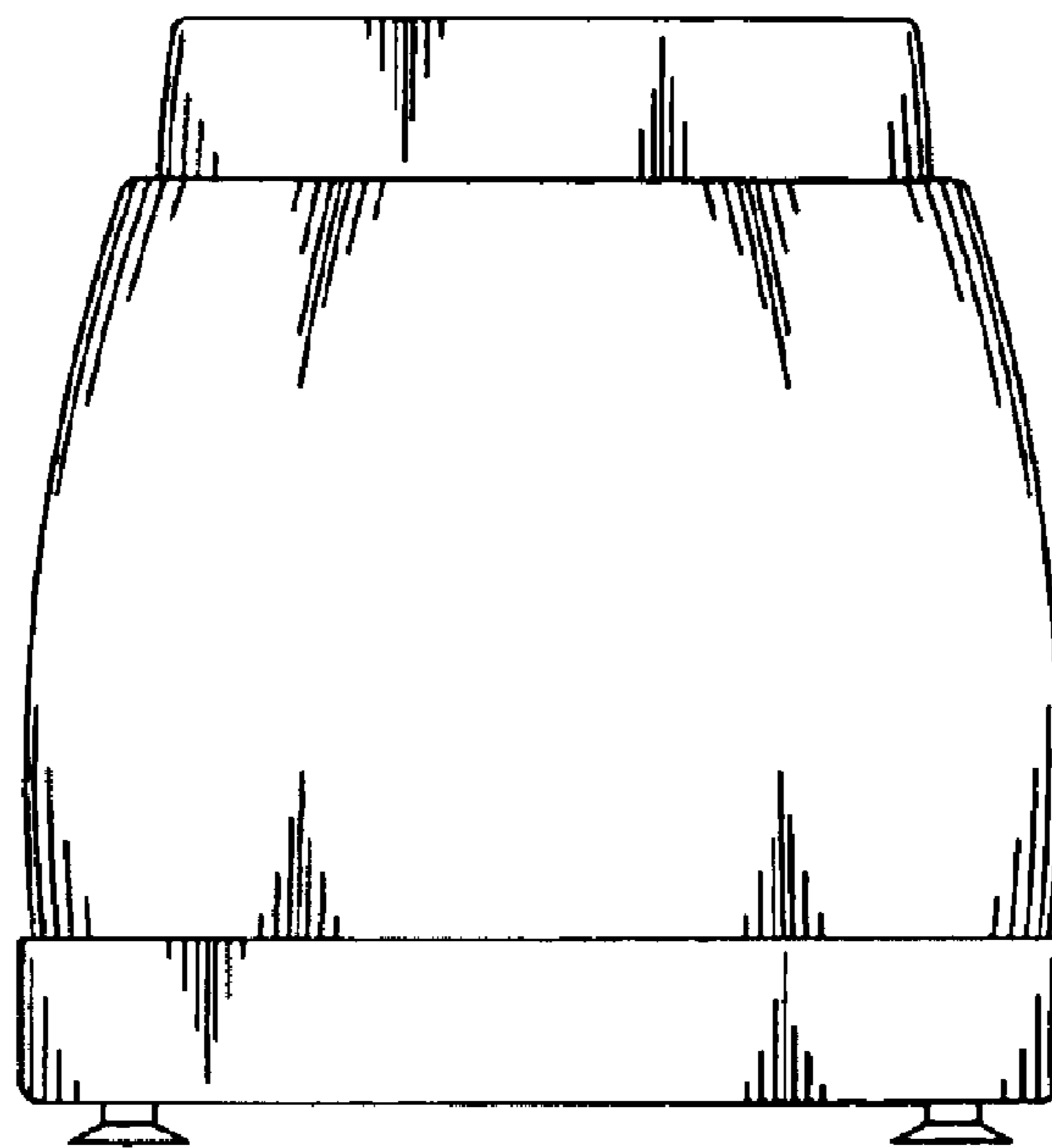


Fig. 2

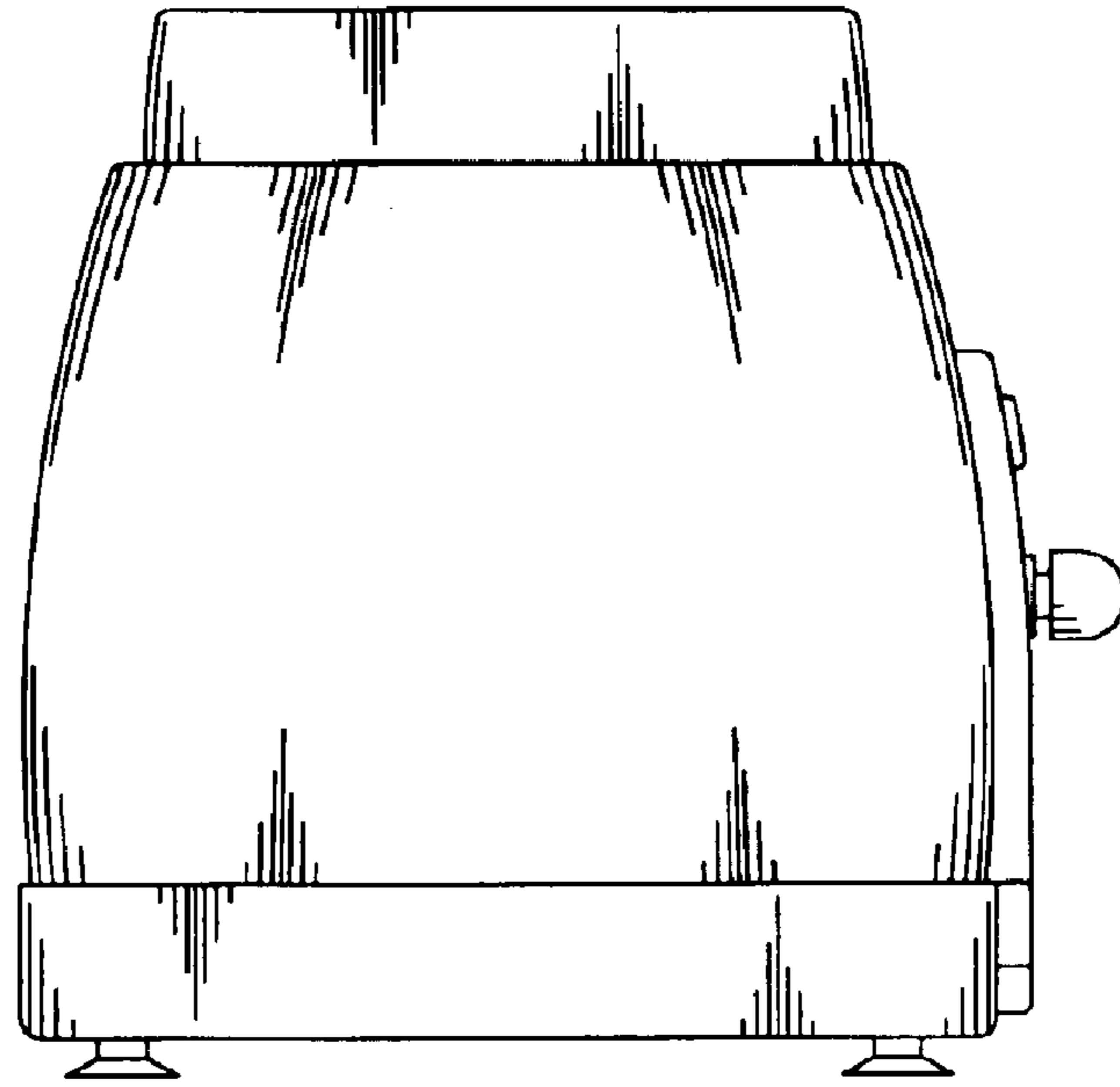


Fig. 3

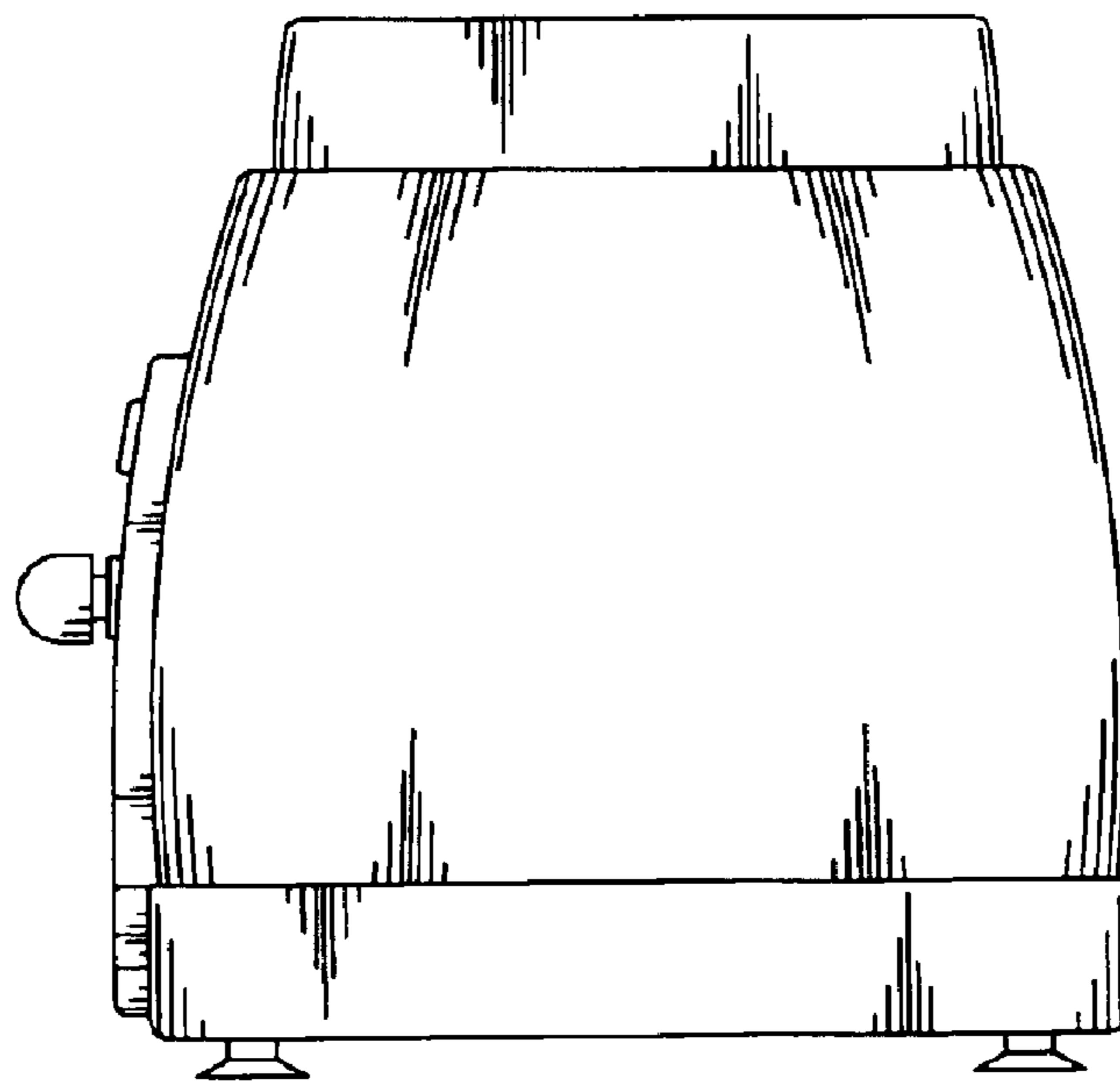


Fig. 4

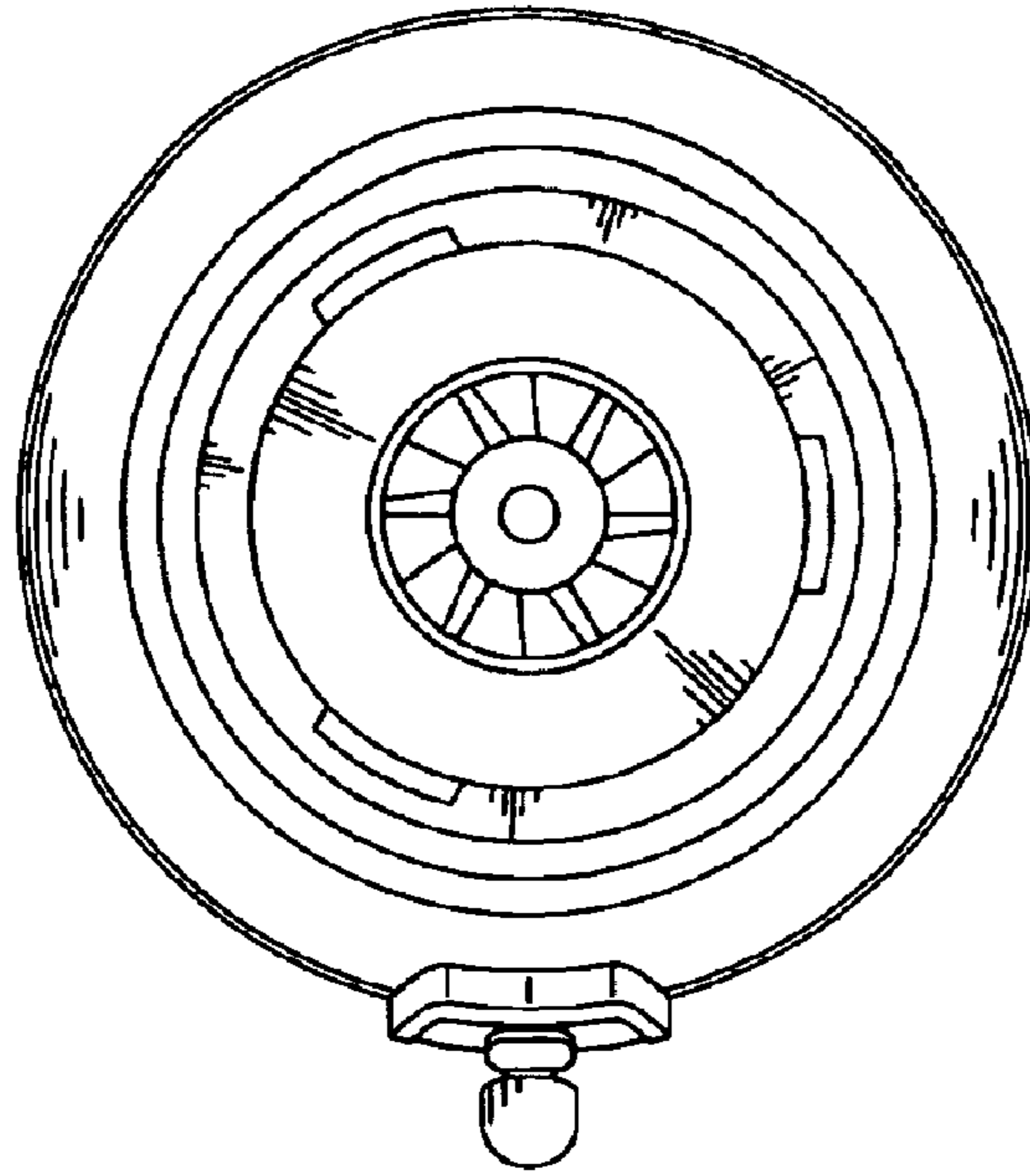


Fig. 5

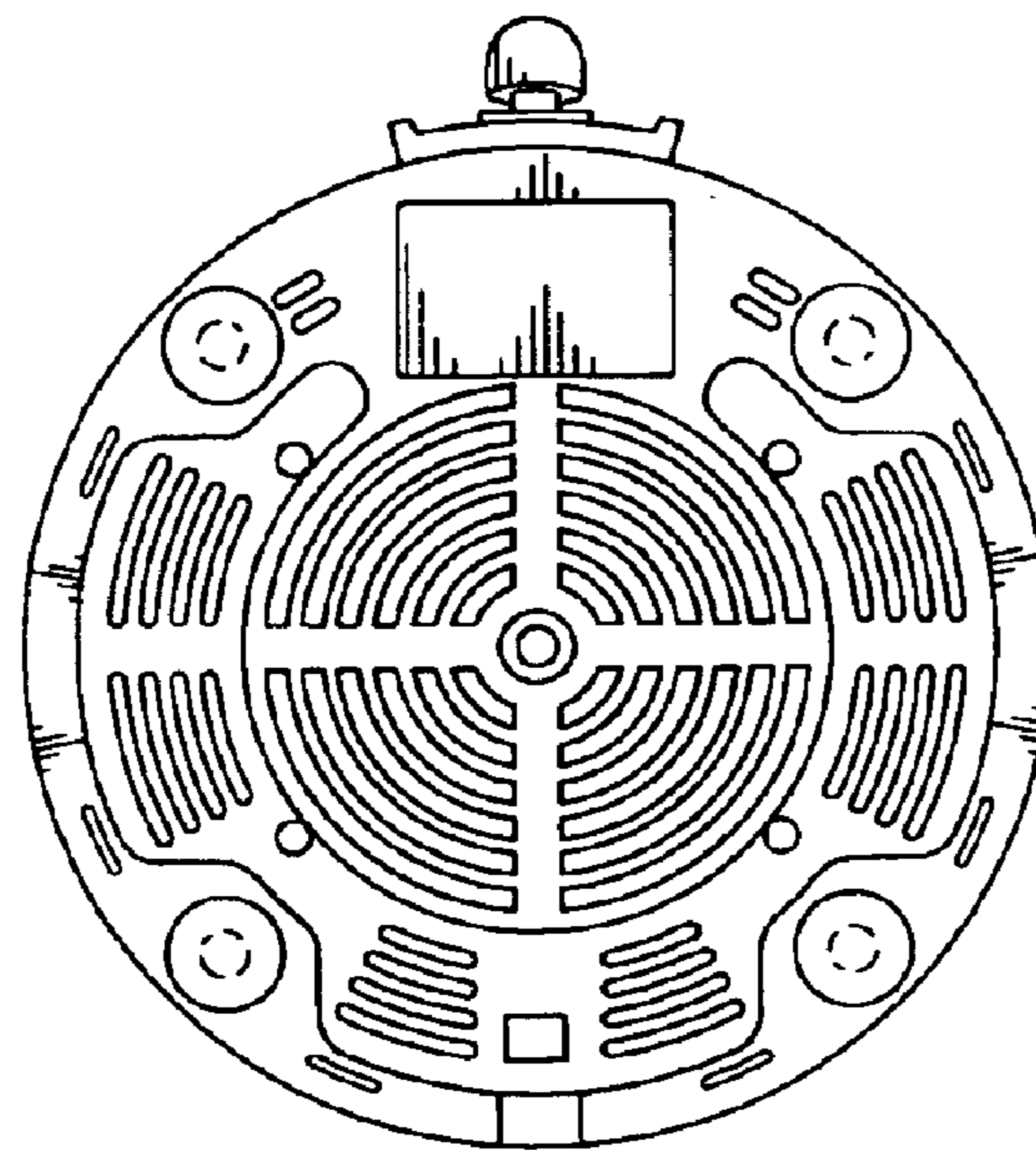


Fig. 6

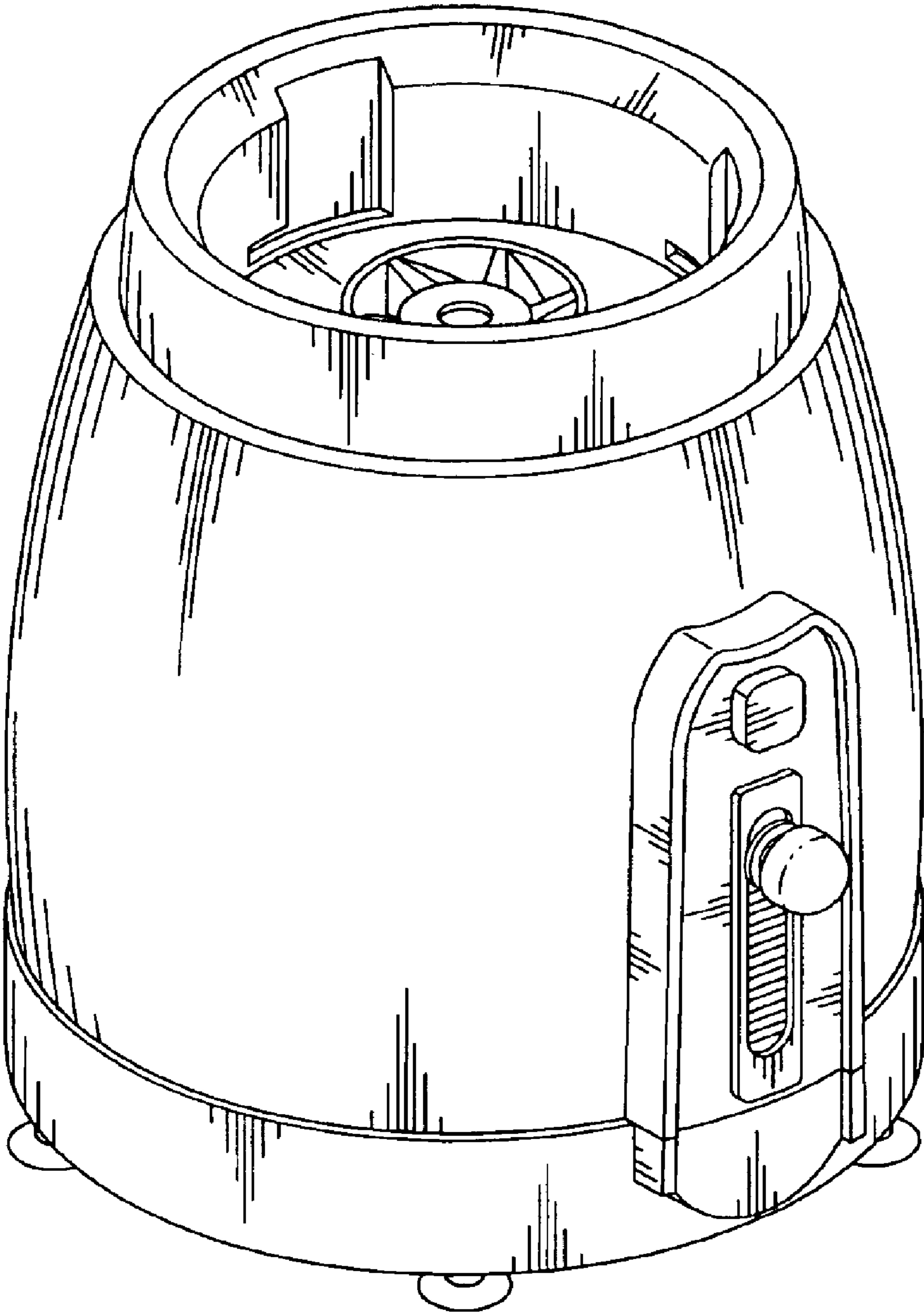


Fig. 7