



US00D510236S

(12) **United States Design Patent** (10) **Patent No.:** **US D510,236 S**  
**Norris et al.** (45) **Date of Patent:** **\*\* Oct. 4, 2005**

(54) **BEVERAGEWARE**  
 (75) Inventors: **Daniel A. Norris**, Williamsville, NY  
 (US); **Ron Lapsker**, Maple (CA)  
 (73) Assignee: **Prosoft International, Inc.**, St. Michael  
 (BB)  
 (\*\*) Term: **14 Years**  
 (21) Appl. No.: **29/210,106**  
 (22) Filed: **Jul. 27, 2004**

2,747,387 A 5/1956 Sweem  
 D196,598 S 10/1963 Lewis  
 3,189,937 A 6/1965 Sciortino  
 D236,936 S 9/1975 Achenbach  
 D243,816 S 3/1977 Achenbach  
 D246,882 S 1/1978 Thrush  
 D250,314 S 11/1978 Elliott et al.  
 D277,821 S 3/1985 Nestrock  
 D287,322 S 12/1986 Martin  
 D290,568 S 6/1987 Feltman et al.  
 4,765,465 A 8/1988 Yamada et al.  
 D304,889 S 12/1989 Stymeist  
 D321,626 S 11/1991 Kouts  
 D337,526 S 7/1993 Teo  
 D347,763 S 6/1994 Kleckauskas et al.  
 D354,657 S \* 1/1995 Kramer ..... D7/511  
 D359,196 S 6/1995 Nichols  
 D362,369 S 9/1995 Bridges  
 D363,415 S 10/1995 Carlson  
 D369,277 S 4/1996 Lin  
 D376,731 S 12/1996 Lin

**Related U.S. Application Data**

(62) Division of application No. 29/197,275, filed on Jan. 13,  
 2004.  
 (51) **LOC (8) Cl.** ..... **07-01**  
 (52) **U.S. Cl.** ..... **D7/536; D7/532**  
 (58) **Field of Search** ..... D7/509, 533, 536,  
 D7/532, 523, 510, 511, 394; 220/710.5,  
 719, 729, 713, 212, 23.86, 703, 737, 592.1;  
 215/396, 398; 206/215, 527; 229/400; 294/31.2,  
 33; 248/346.1, 205; D23/332

**References Cited**

**U.S. PATENT DOCUMENTS**

D29,252 S 8/1898 Bogert  
 D69,175 S 1/1926 Fisher  
 D70,476 S 6/1926 Heisey  
 D73,031 S 7/1927 Heisey  
 D94,000 S 12/1934 Sebring  
 D96,566 S 8/1935 Straus  
 2,028,566 A 1/1936 Seipel et al.  
 D108,220 S 2/1938 Shapiro  
 D108,957 S 3/1938 Kelly  
 D112,799 S 1/1939 Watson  
 D118,650 S 1/1940 Sawyer  
 D120,226 S 4/1940 Lundy  
 D124,317 S 12/1940 Lundy  
 D155,289 S 9/1949 Hoople  
 D170,409 S 9/1953 Hare  
 2,717,619 A 9/1955 Whitman

(Continued)

*Primary Examiner*—M. N. Pandozzi  
 (74) *Attorney, Agent, or Firm*—Hodgson Russ LLP

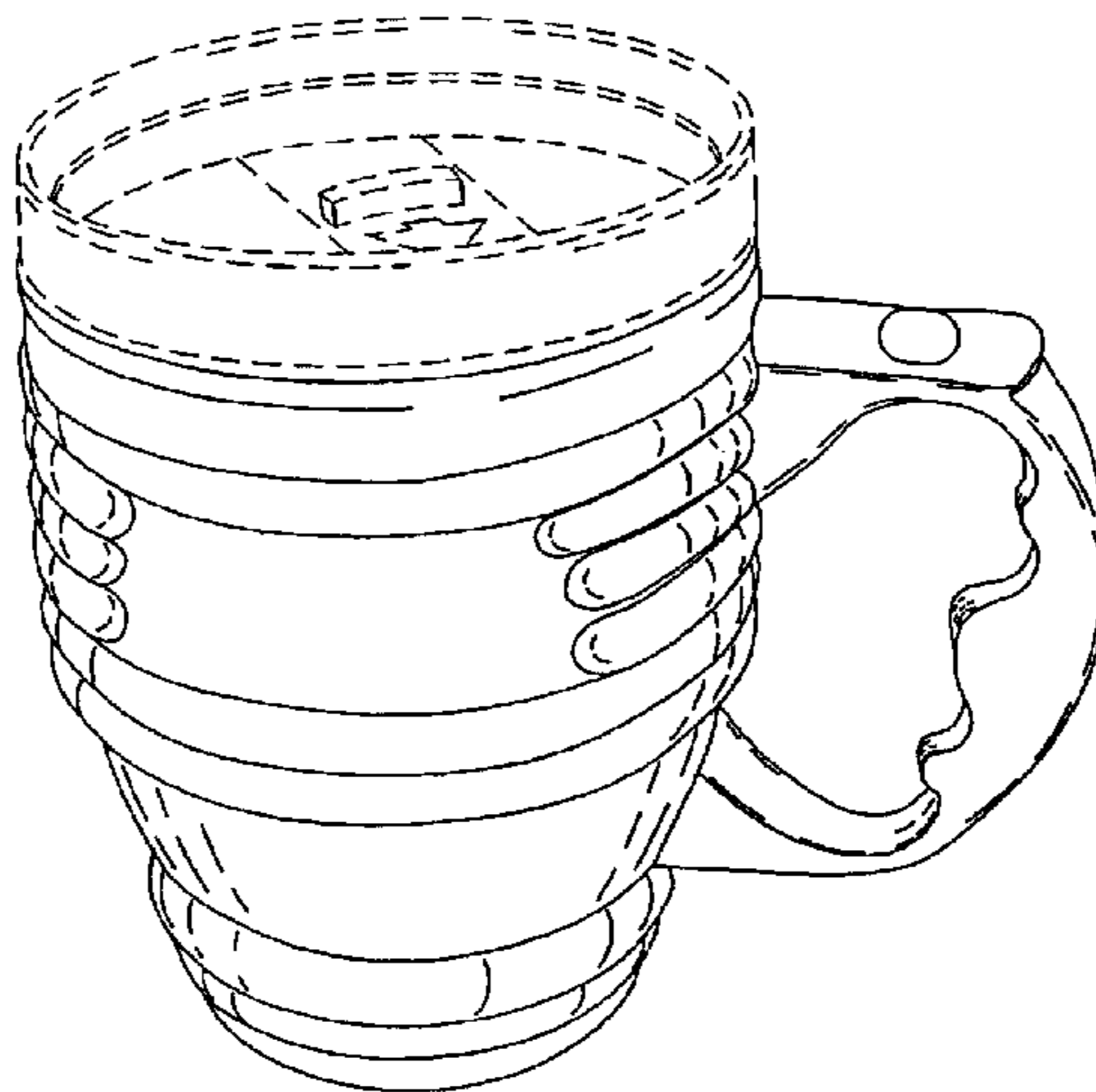
(57) **CLAIM**

The ornamental design for beverageware, as shown and described.

**DESCRIPTION**

FIG. 1 is a perspective view of beverageware showing our new design;  
 FIG. 2 is a right-hand side elevational view thereof, the left-hand side view thereof being a mirror image of the side shown;  
 FIG. 3 is a rear elevational view thereof;  
 FIG. 4 is a front elevational view thereof;  
 FIG. 5 is a bottom plan view thereof; and,  
 FIG. 6 is a top plan view thereof.  
 The broken lines in the drawings are for illustrative purposes only and form no part of the claimed design.

**1 Claim, 3 Drawing Sheets**



# US D510,236 S

Page 2

## U.S. PATENT DOCUMENTS

D380,348 S	7/1997	Burns et al.	D442,436 S	5/2001	Kleckauskas et al.
D387,619 S	12/1997	Gross et al.	D444,673 S	* 7/2001	Lin ..... D7/510
D388,509 S	12/1997	Hsiao	D445,001 S	7/2001	Lin
D397,905 S	9/1998	Hsu	D451,762 S	12/2001	Tessmer
D397,912 S	9/1998	Goessling, Jr.	D456,214 S	4/2002	Wyche
D398,815 S	9/1998	Hatsumoto et al.	D457,395 S	5/2002	Gluck
D400,401 S	11/1998	Lynd	D458,082 S	6/2002	Gluck
D406,011 S	2/1999	Hatsumoto et al.	D460,324 S	7/2002	Norris et al.
D407,946 S	4/1999	Brewer et al.	D460,661 S	7/2002	Norris et al.
D408,220 S	4/1999	Chomik	D462,579 S	9/2002	Janky
D409,441 S	5/1999	Stephenson	D462,875 S	9/2002	Norris et al.
D410,174 S	5/1999	Sheu	6,450,363 B1	9/2002	Lin
D412,088 S	7/1999	Otake	D467,124 S	12/2002	Janky
D416,757 S	11/1999	Ginuntoli	D468,588 S	1/2003	Norris et al.
D417,591 S	12/1999	Roehrig	6,527,137 B1	3/2003	Kleckauskas et al.
D418,013 S	* 12/1999	Fujii ..... D7/510	D472,425 S	4/2003	Hurlbut et al.
D422,842 S	4/2000	Freed	D476,528 S	7/2003	Janky et al.
D424,878 S	5/2000	Freed	D479,669 S	9/2003	Norris et al.
D425,758 S	5/2000	Freed	D479,670 S	9/2003	Webb
D426,109 S	6/2000	Freed	D479,671 S	9/2003	Gluck
D426,750 S	6/2000	Madden-Askew	D480,916 S	10/2003	Norris et al.
6,076,699 A	* 6/2000	Seager et al. .... 220/710.5	D480,917 S	10/2003	Holsinger et al.
D427,489 S	* 7/2000	Henry ..... D7/536	D480,918 S	10/2003	Belton et al.
D427,853 S	7/2000	Kohlhase	D480,919 S	10/2003	Bin
D431,159 S	9/2000	Otake	D481,590 S	11/2003	Lin
D432,359 S	10/2000	Madden-Askew	D481,591 S	11/2003	Lin
D433,277 S	11/2000	Copeland	D482,237 S	11/2003	Wellner
D435,195 S	12/2000	Joergensen	D482,572 S	11/2003	Mountain
D436,294 S	1/2001	Marck	D484,359 S	* 12/2003	Rohe ..... D7/394
D437,185 S	2/2001	Freed	D488,028 S	* 4/2004	Janky et al. .... D7/536
D439,473 S	3/2001	Lin	D497,515 S	* 10/2004	Bydalek ..... D7/394
D442,029 S	5/2001	Otake			

\* cited by examiner

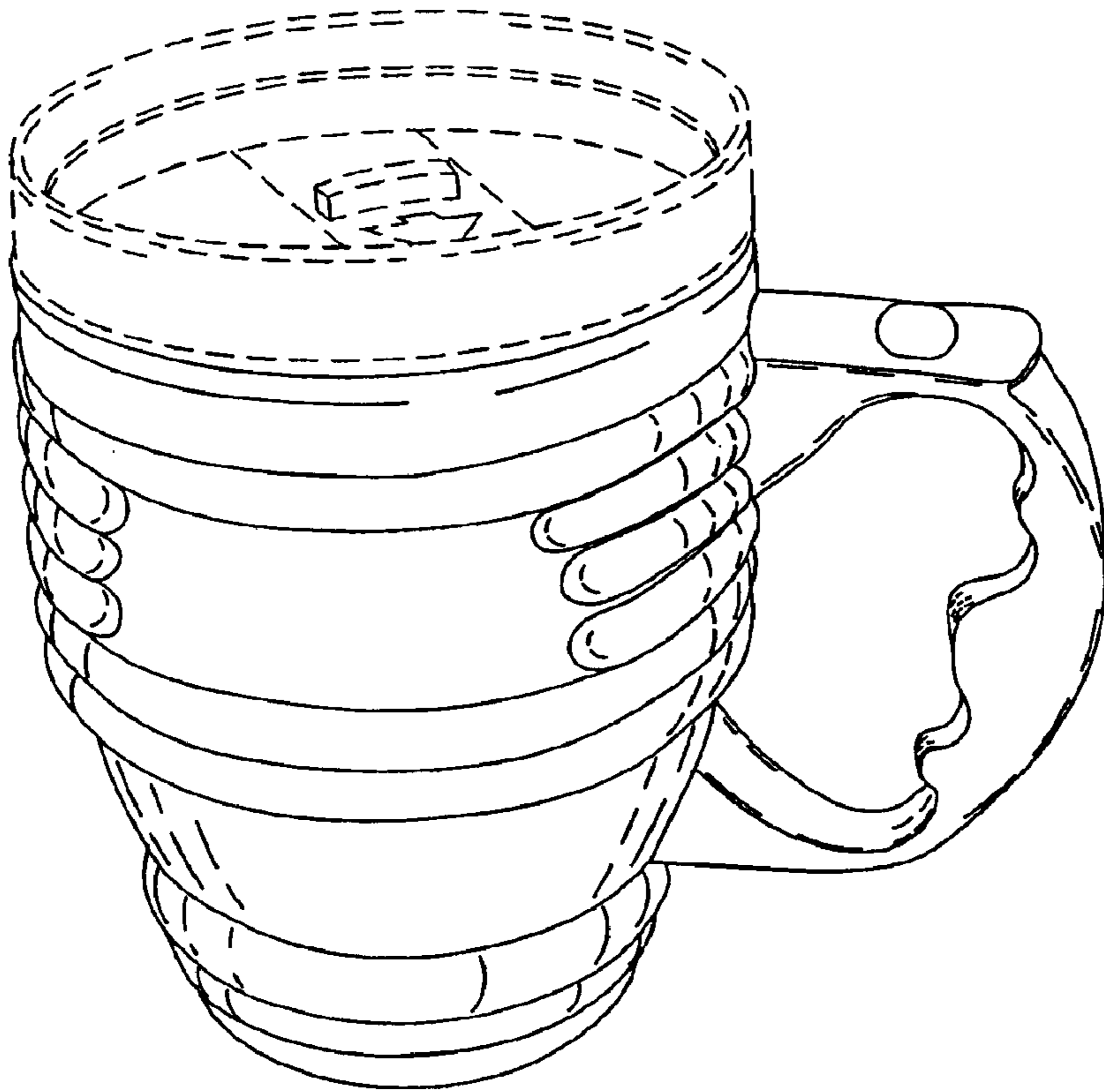


Fig. 1

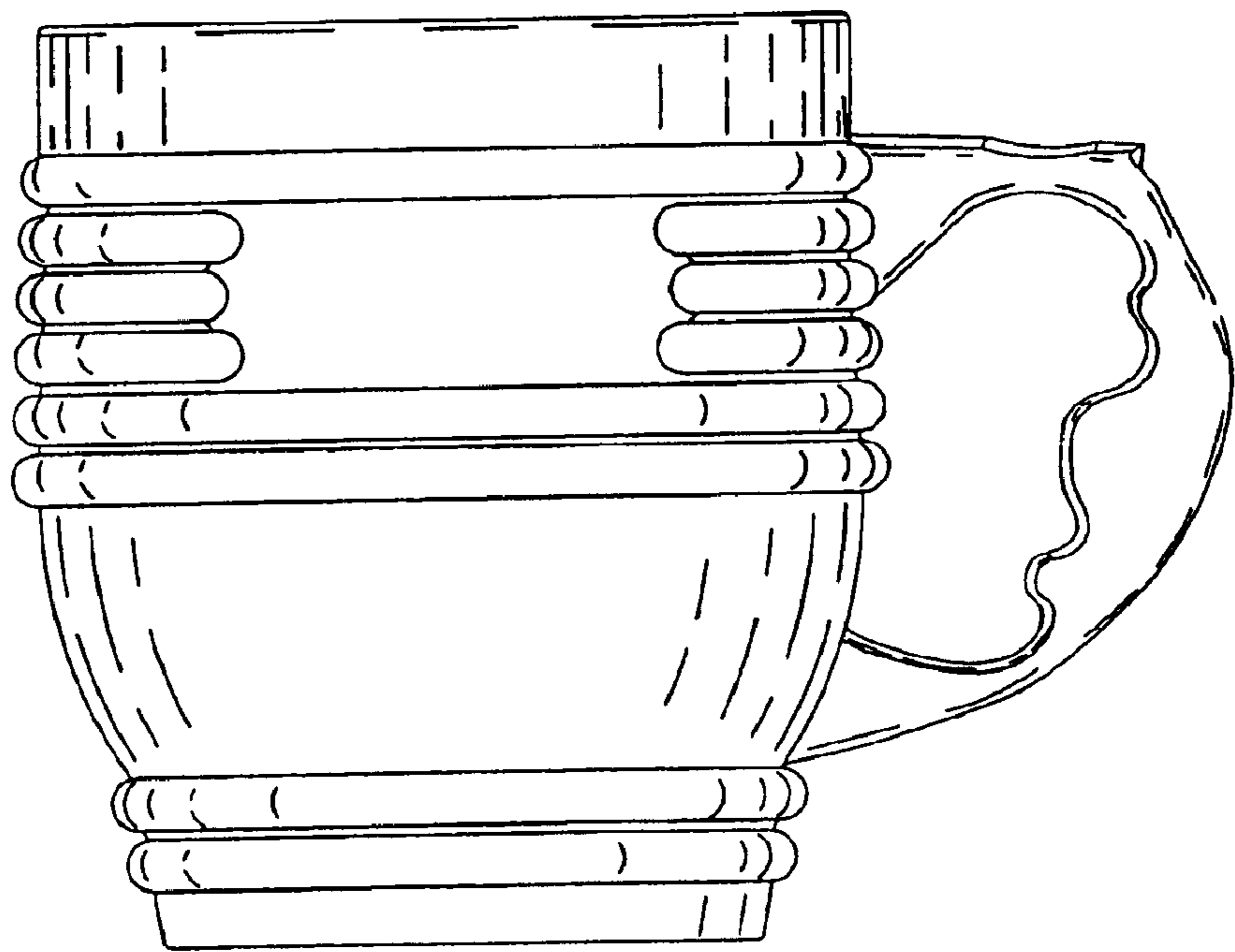


Fig. 2

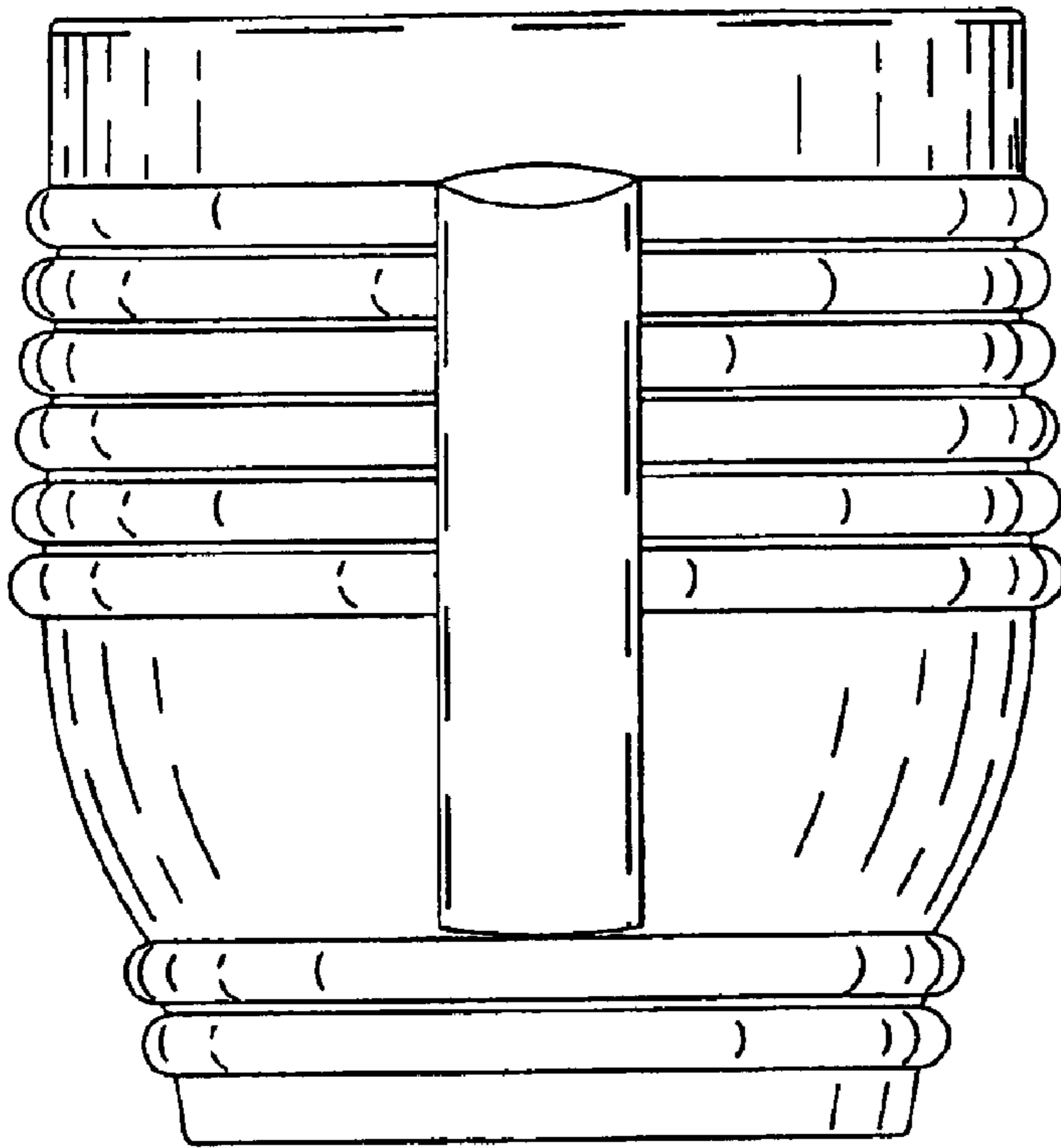


Fig. 3

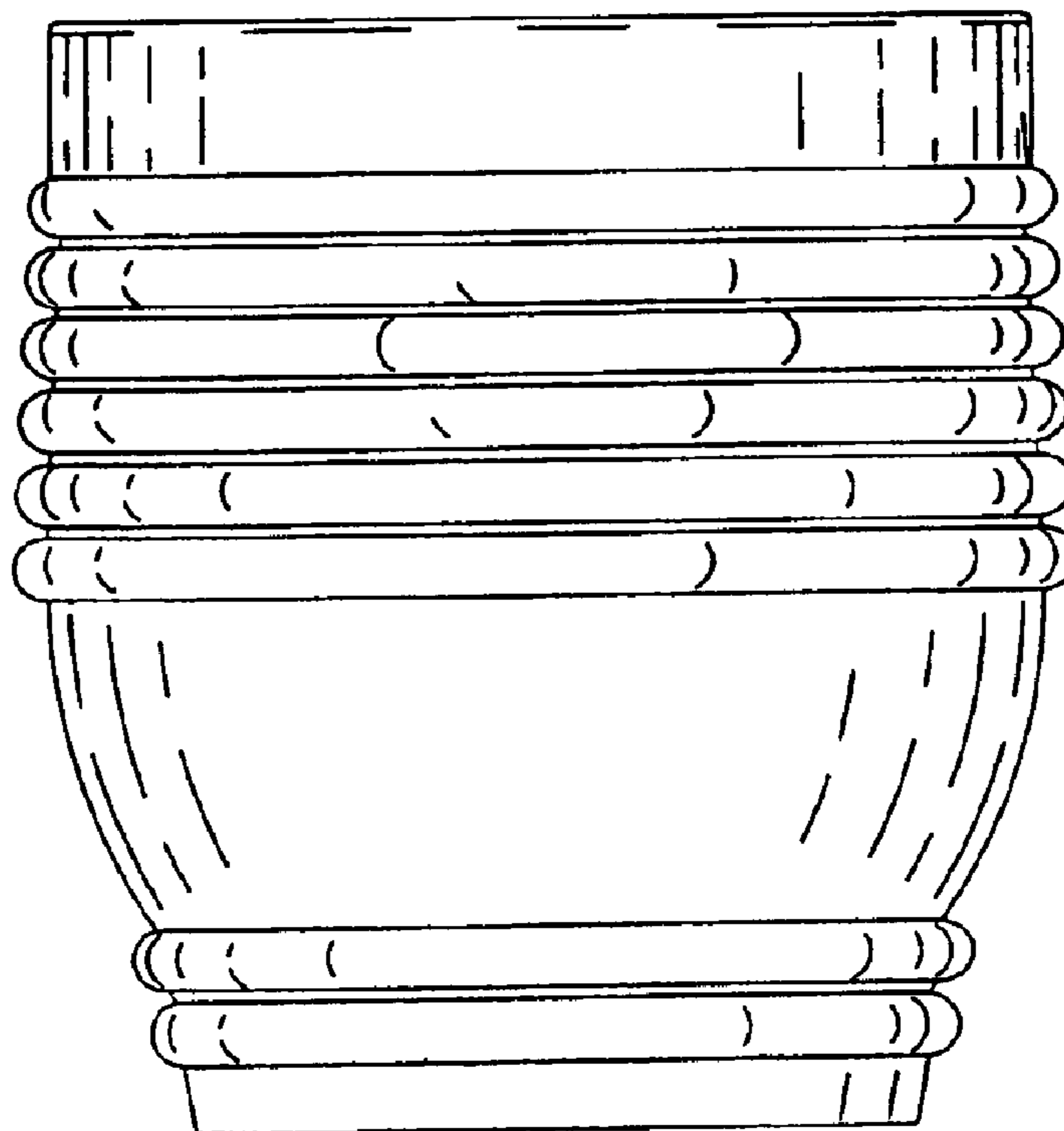


Fig. 4

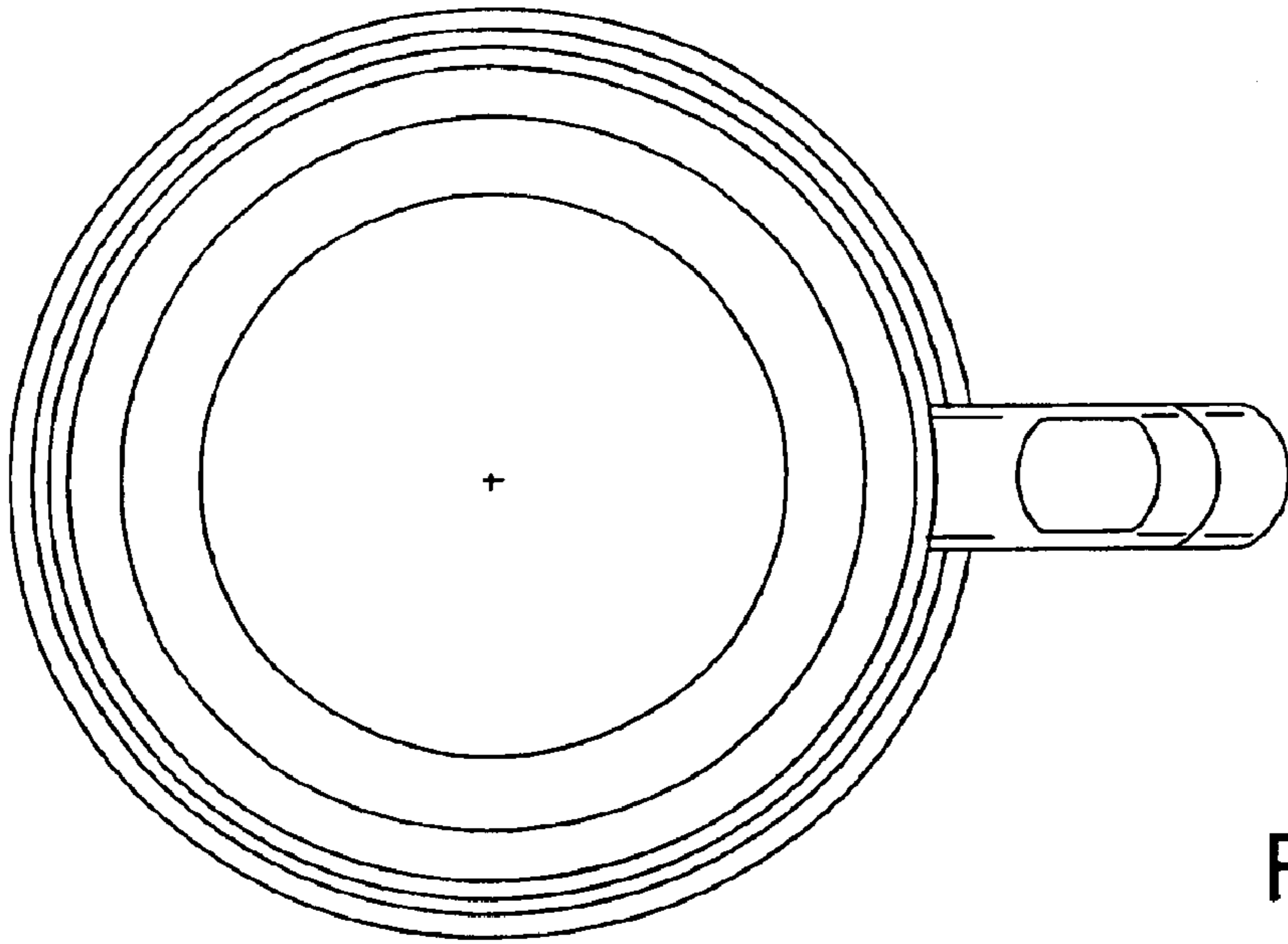


Fig. 5

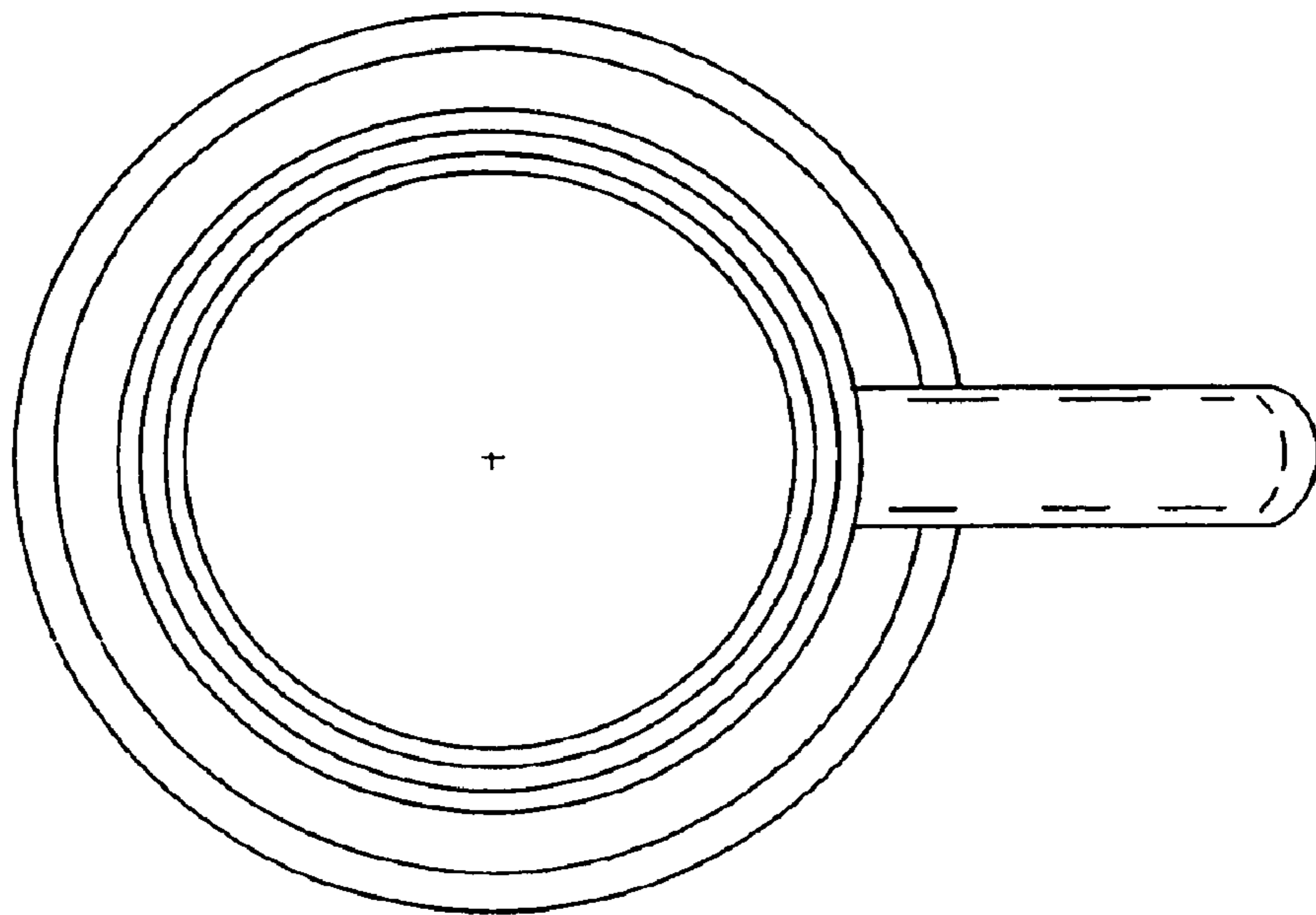


Fig. 6