



US00D510234S

(12) **United States Design Patent** (10) **Patent No.:** **US D510,234 S**
Schuler et al. (45) **Date of Patent:** **** Oct. 4, 2005**

(54) **TUMBLER**
(75) Inventors: **Daniel Schuler**, Chicago, IL (US);
Peter Schmidt, Chicago, IL (US)
(73) Assignee: **Thermos L.L.C.**, Rolling Meadows, IL (US)
(**) Term: **14 Years**
(21) Appl. No.: **29/213,479**

D477,185 S * 7/2003 Janky D7/511
D479,437 S * 9/2003 Gluck D7/523
D479,949 S * 9/2003 Janky D7/511
D480,267 S * 10/2003 Freed et al. D7/510
D480,918 S * 10/2003 Belton et al. D7/533
D484,743 S * 1/2004 Furlong D7/510
D486,996 S * 2/2004 Karp D7/510
D490,272 S * 5/2004 Rohe D7/510
D490,651 S * 6/2004 Cintron et al. D7/509
D492,157 S * 6/2004 Bodum D7/510
D492,546 S * 7/2004 Bodum D7/510
D499,608 S * 12/2004 Cintron D7/510

(22) Filed: **Sep. 17, 2004**
(51) **LOC (8) Cl.** **07-01**
(52) **U.S. Cl.** **D7/509; D7/532; D7/529**
(58) **Field of Search** D7/533, 523, 532,
D7/509, 510, 511, 525, 529; D9/530, 537,
540, 551, 542; 206/520, 217; 220/704,
703, 710.5, 630, 23.87, 715, 714, 705;
215/12.1, 13.1, 377, 384, 398, 387, DIG. 7

* cited by examiner
Primary Examiner—M. N. Pandozzi
(74) *Attorney, Agent, or Firm*—Wood, Phillips, Katz, Clark
& Mortimer

(57) **CLAIM**

The ornamental design of a tumbler, as shown and described.

(56) **References Cited**
U.S. PATENT DOCUMENTS
D282,232 S * 1/1986 Bussell D7/509
D425,758 S * 5/2000 Freed D7/533
D433,876 S * 11/2000 Freed D7/532
D436,296 S * 1/2001 Freed D7/523
D454,756 S * 3/2002 Janky et al. D7/510
D457,395 S * 5/2002 Gluck D7/510
D457,396 S * 5/2002 Janky et al. D7/510
D460,894 S * 7/2002 Ziegenfus et al. D7/523
D464,849 S * 10/2002 Norris et al. D7/523
D467,122 S * 12/2002 Janky D7/510
D467,124 S * 12/2002 Janky D7/533
D469,308 S * 1/2003 Janky D7/510
D469,309 S * 1/2003 Janky D7/510
D470,772 S * 2/2003 Egger D9/537
D472,101 S * 3/2003 Janky D7/532
D475,891 S * 6/2003 Bin D7/510
D477,183 S * 7/2003 Janky D7/509

DESCRIPTION

FIG. 1 is a perspective view of our tumbler design taken from above and to one side;
FIG. 2 is a front elevation view of our tumbler design;
FIG. 3 is a rear elevation view of our tumbler design;
FIG. 4 is a side elevation view of our tumbler design taken from left of FIG. 2;
FIG. 5 is a side elevation view of our tumbler design taken from the right of FIG. 2;
FIG. 6 is a top plan view of our tumbler design; and,
FIG. 7 is a bottom view of our tumbler design.
It is to be understood that parts shown in dotted lines form no part of our inventive tumbler design.
The broken lines in the drawings are for illustrative purposes only and form no part of the claimed design.

1 Claim, 4 Drawing Sheets

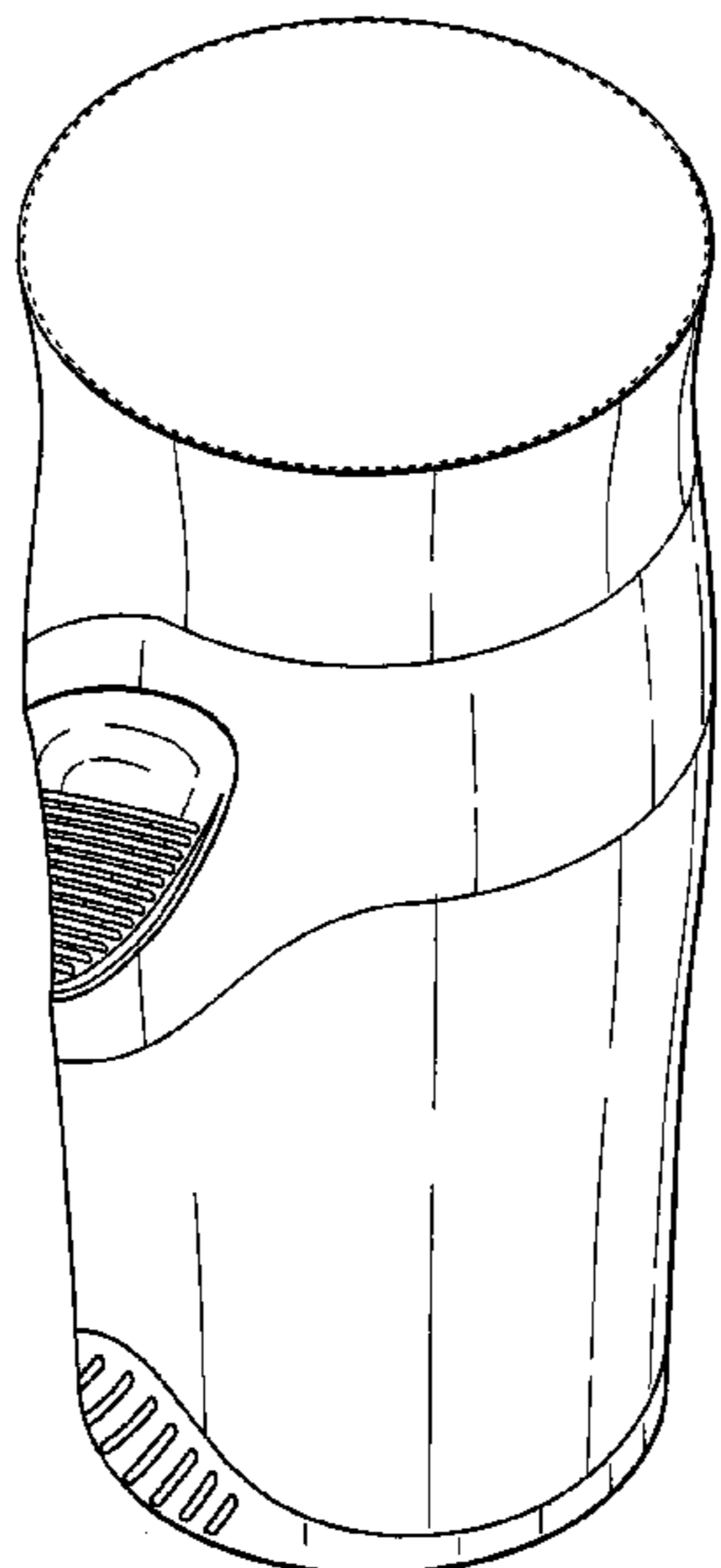


Fig. 1

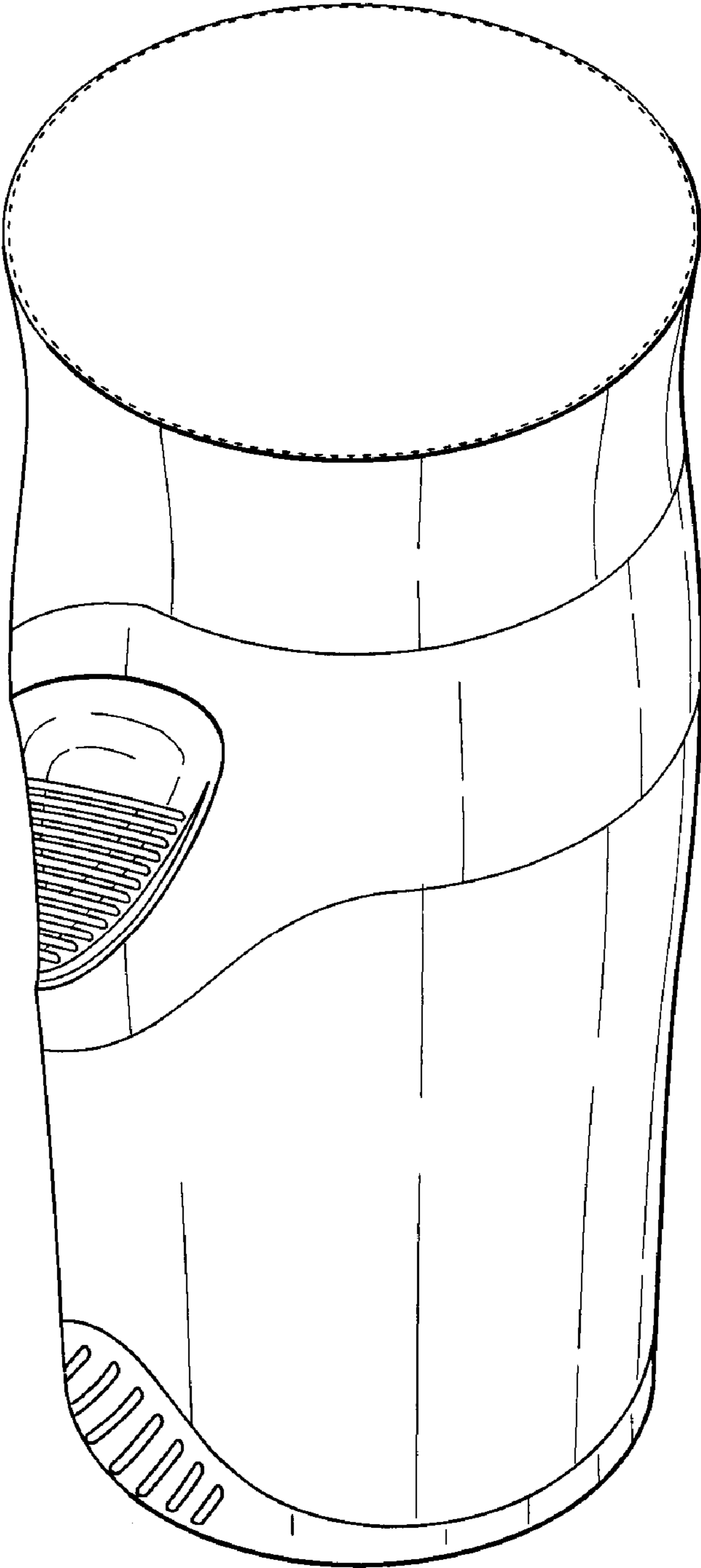


Fig. 2

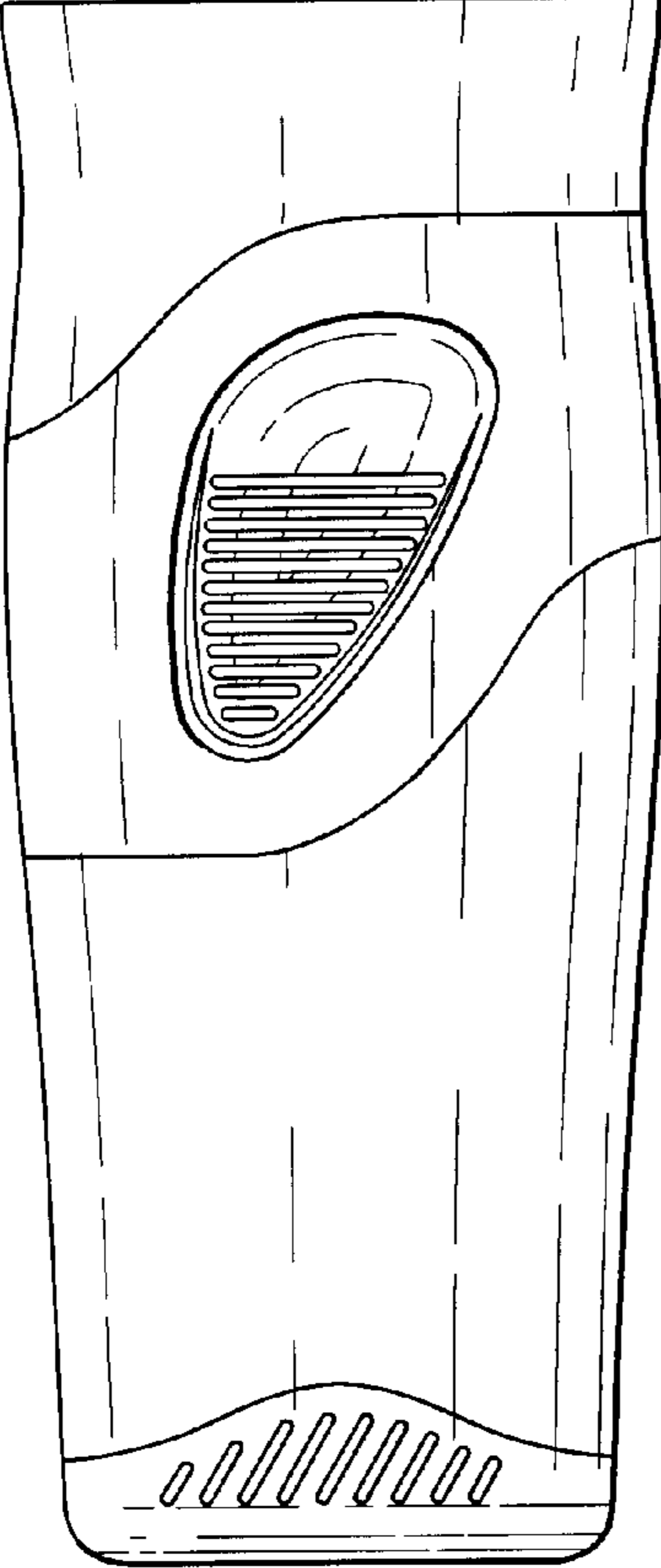


Fig. 3

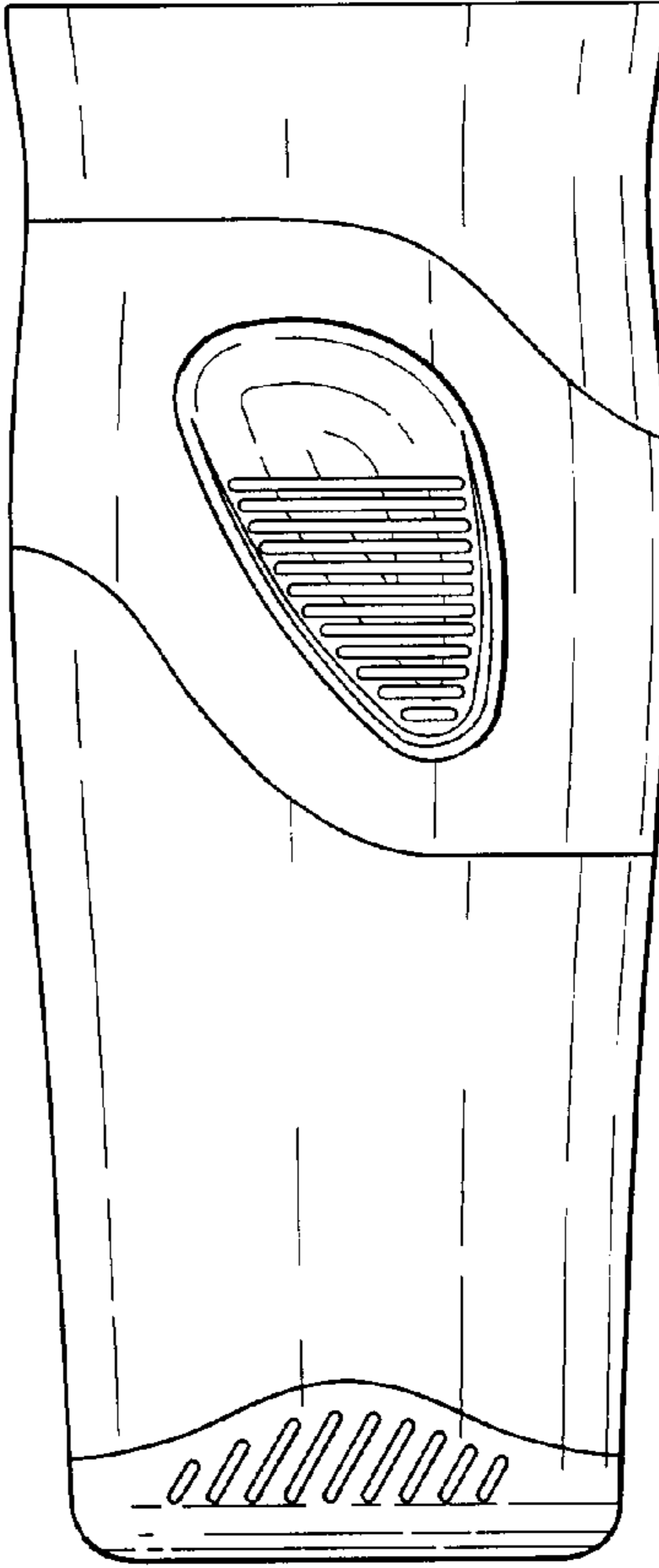


Fig. 4

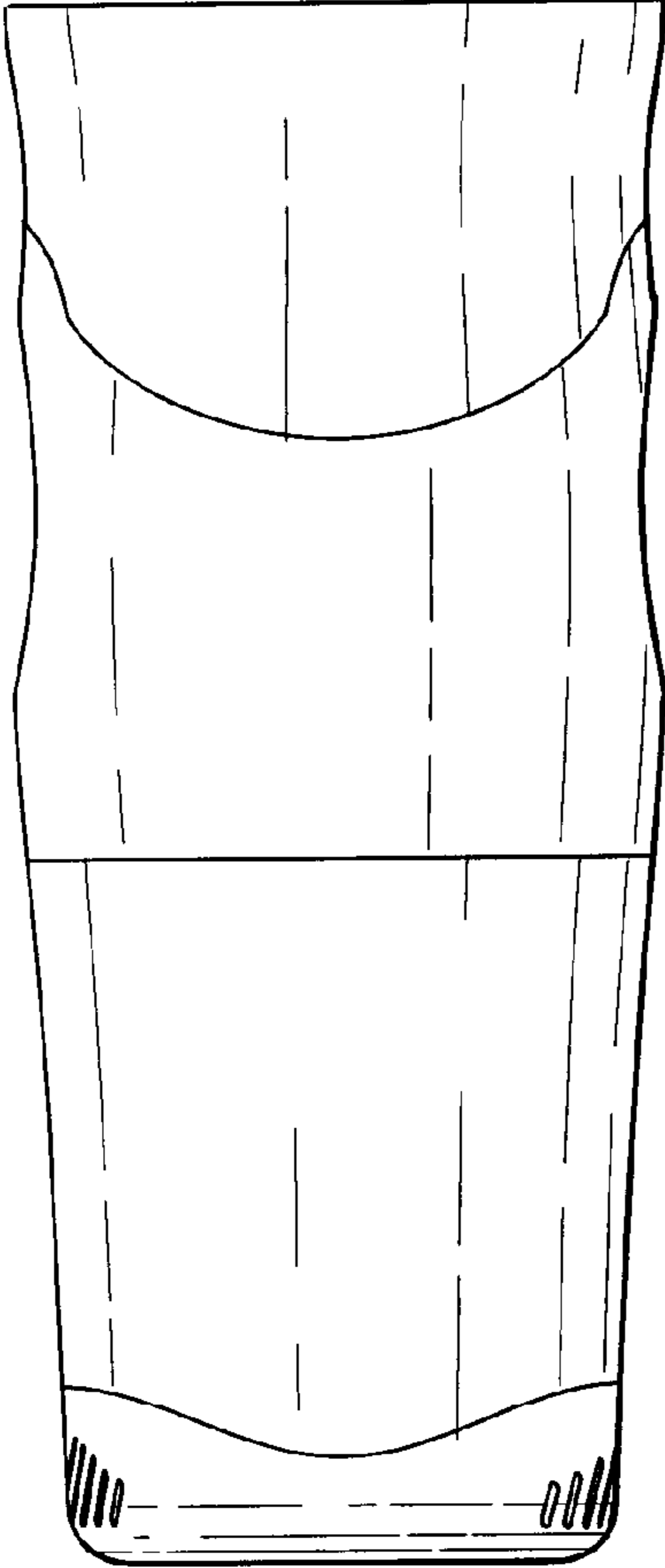


Fig. 5

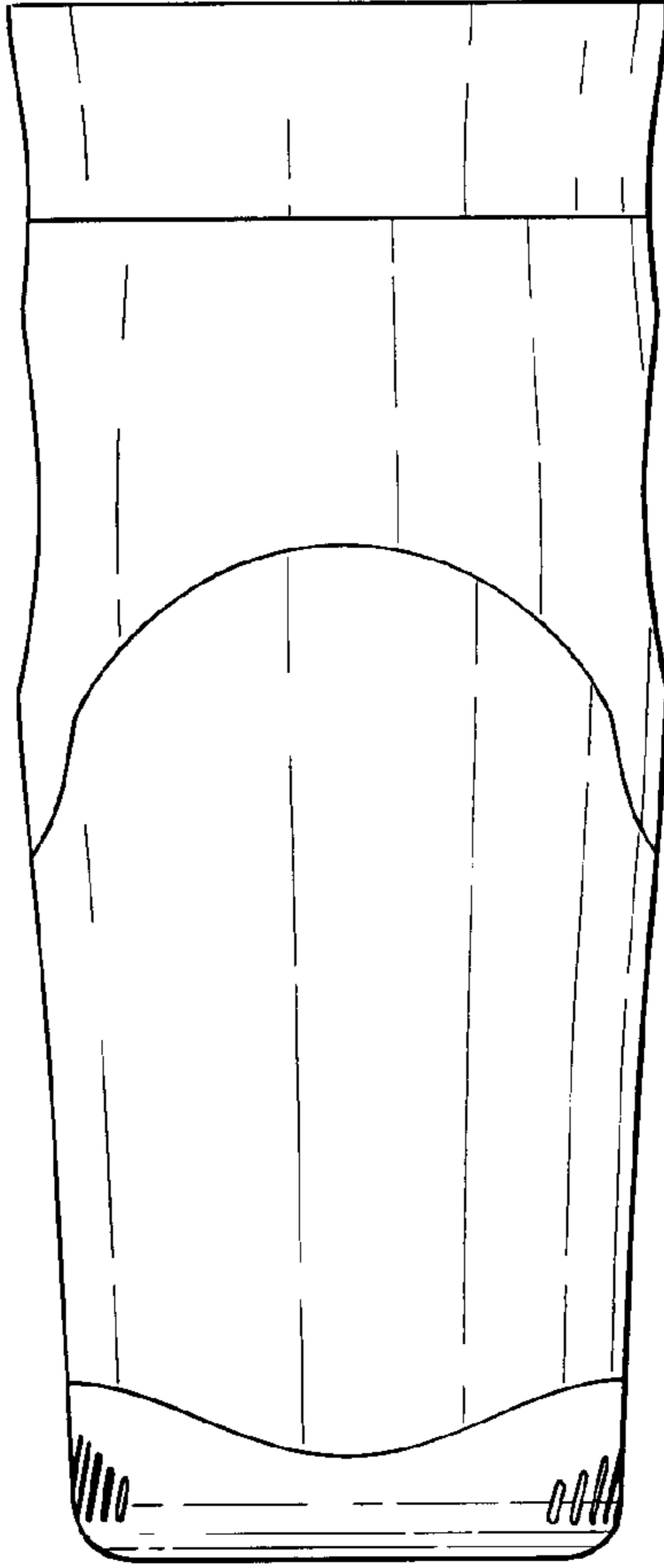


Fig. 6

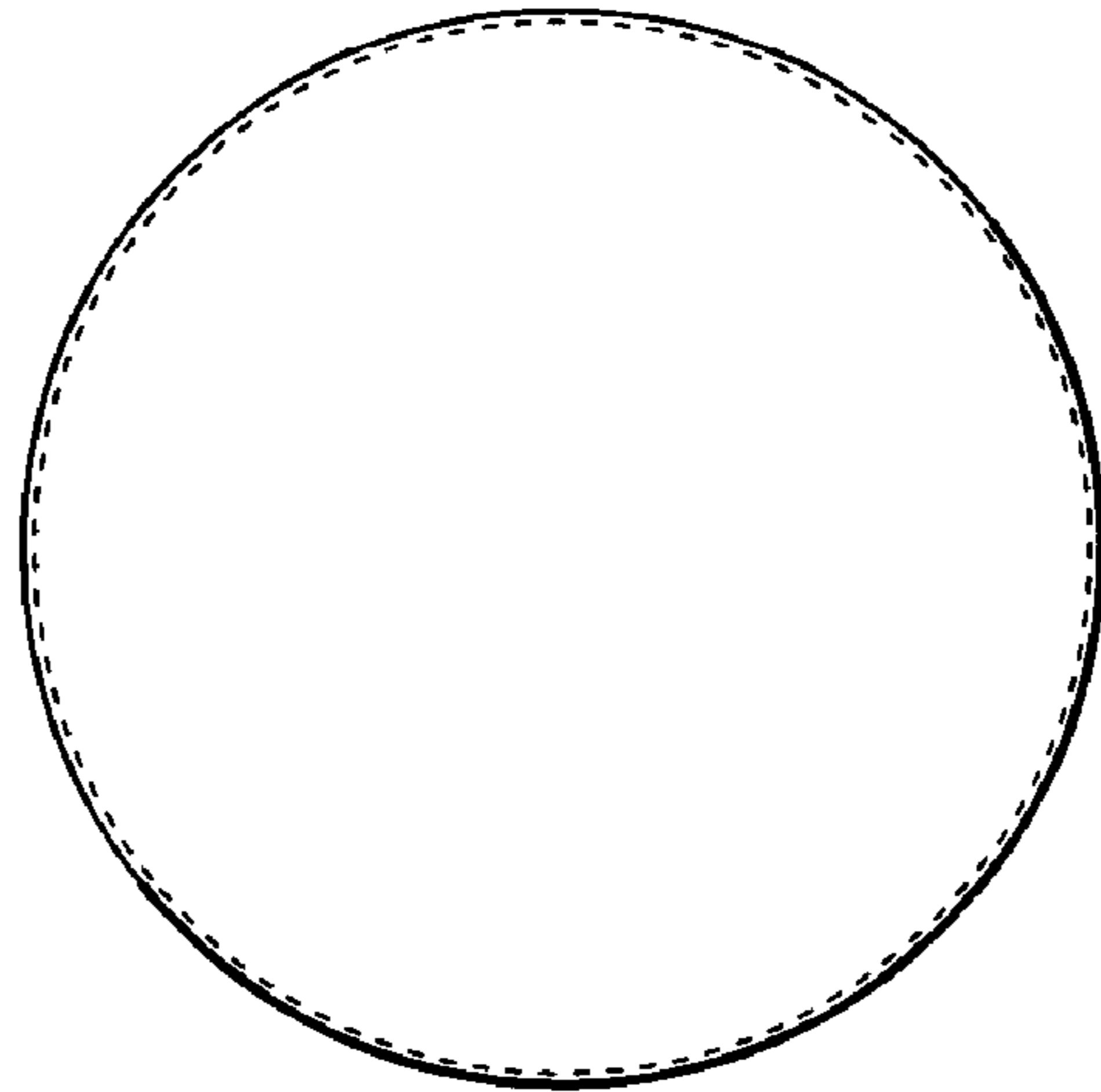


Fig. 7

