



US00D510231S

(12) **United States Design Patent**
Coudurier

(10) **Patent No.:** **US D510,231 S**
(45) **Date of Patent:** **** Oct. 4, 2005**

(54) **HANDLE**

(75) **Inventor:** **Olivier Coudurier**, Marigny Saint
Marcel (FR)

(73) **Assignee:** **Tefal S.A.**, Rumilly (FR)

(**) **Term:** **14 Years**

(21) **Appl. No.:** **29/202,054**

(22) **Filed:** **Mar. 25, 2004**

(30) **Foreign Application Priority Data**

Sep. 25, 2003 (FR) 03 4650

(51) **LOC (8) Cl.** **07-02**

(52) **U.S. Cl.** **D7/393**

(58) **Field of Search** D7/393, 394-395,
D7/354-361; 16/110.1, 430, 431, 436, 441,
444; 220/573.1, 752, 753, 755

(56) **References Cited**

U.S. PATENT DOCUMENTS

D391,444 S * 3/1998 Munari D7/394
D410,817 S * 6/1999 Brunianyn D7/393
D461,092 S * 8/2002 Coudurier D7/393
D461,094 S * 8/2002 Coudurier D7/394

D462,570 S * 9/2002 Munari D7/394
D470,011 S * 2/2003 Munari D7/394
D496,557 S * 9/2004 Munari D7/394

OTHER PUBLICATIONS

U.S. Appl. No. 29/203,173; filed Apr. 9, 2004.

* cited by examiner

Primary Examiner—Ruth McInroy

Assistant Examiner—Terrence Huang

(74) *Attorney, Agent, or Firm*—Fross Zelnick Lehrman &
Zissu, P.C.; David I. Greenbaum, Esq.

(57) **CLAIM**

The ornamental design for a handle, as shown and described.

DESCRIPTION

FIG. 1 is a perspective view of a handle showing the new design;

FIG. 2 is a front view of the handle shown in FIG. 1;

FIG. 3 is a rear view of the handle shown in FIG. 1;

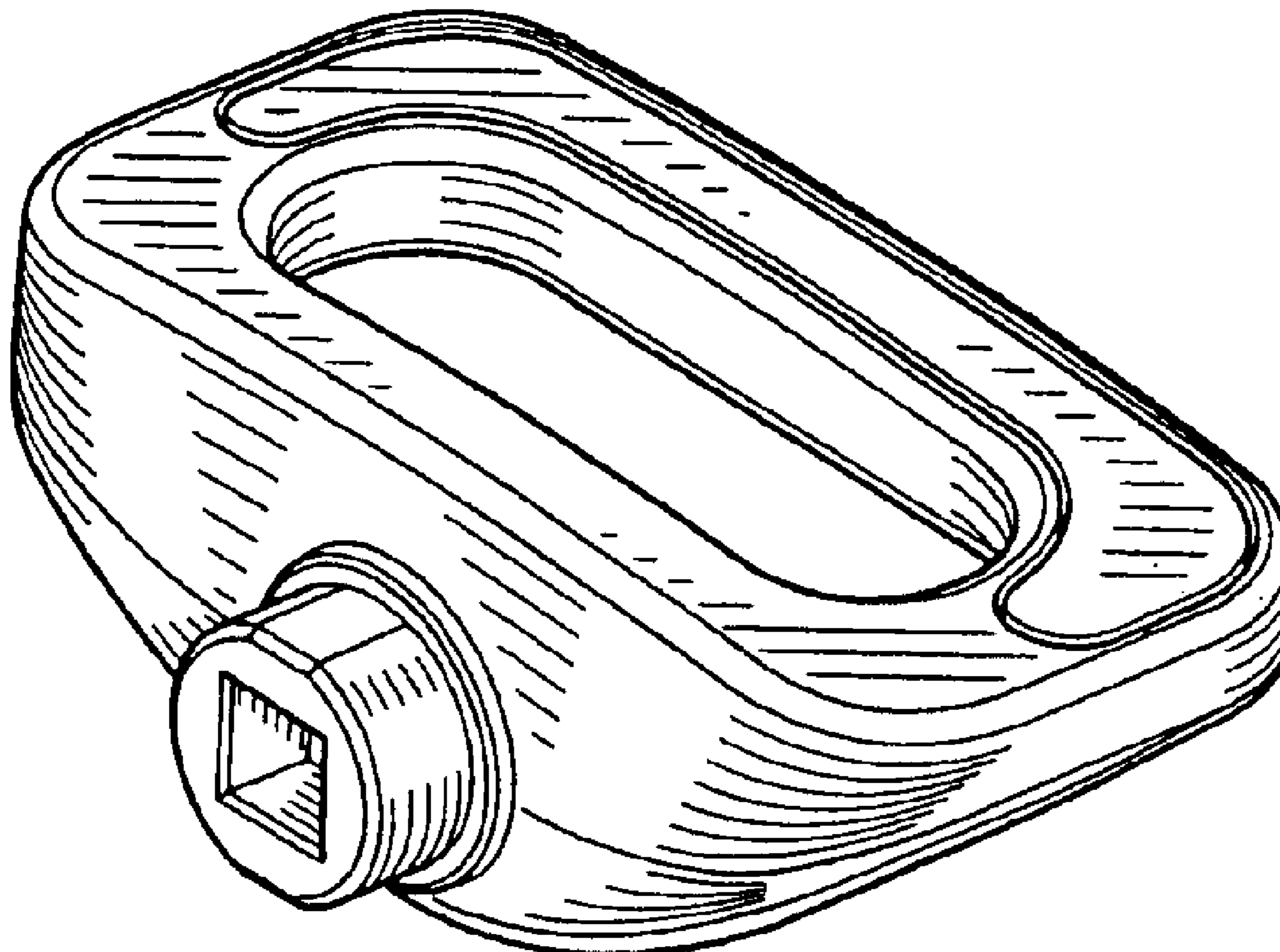
FIG. 4 is a right side view of the handle shown in FIG. 1;

FIG. 5 is a left side view of the handle shown in FIG. 1;

FIG. 6 is a top view of the handle shown in FIG. 1; and,

FIG. 7 is a bottom view of the handle shown in FIG. 1.

1 Claim, 7 Drawing Sheets



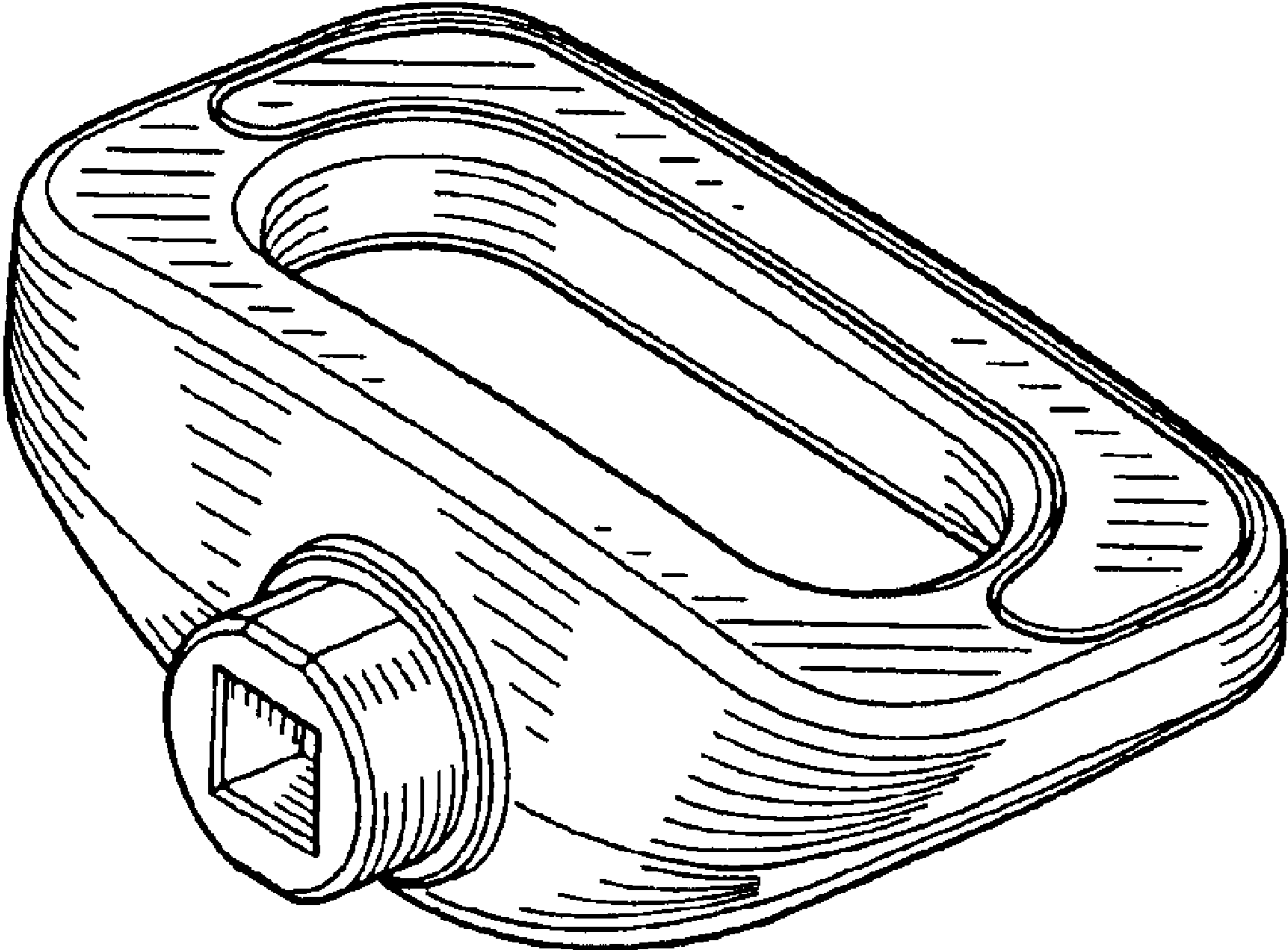


FIGURE 1

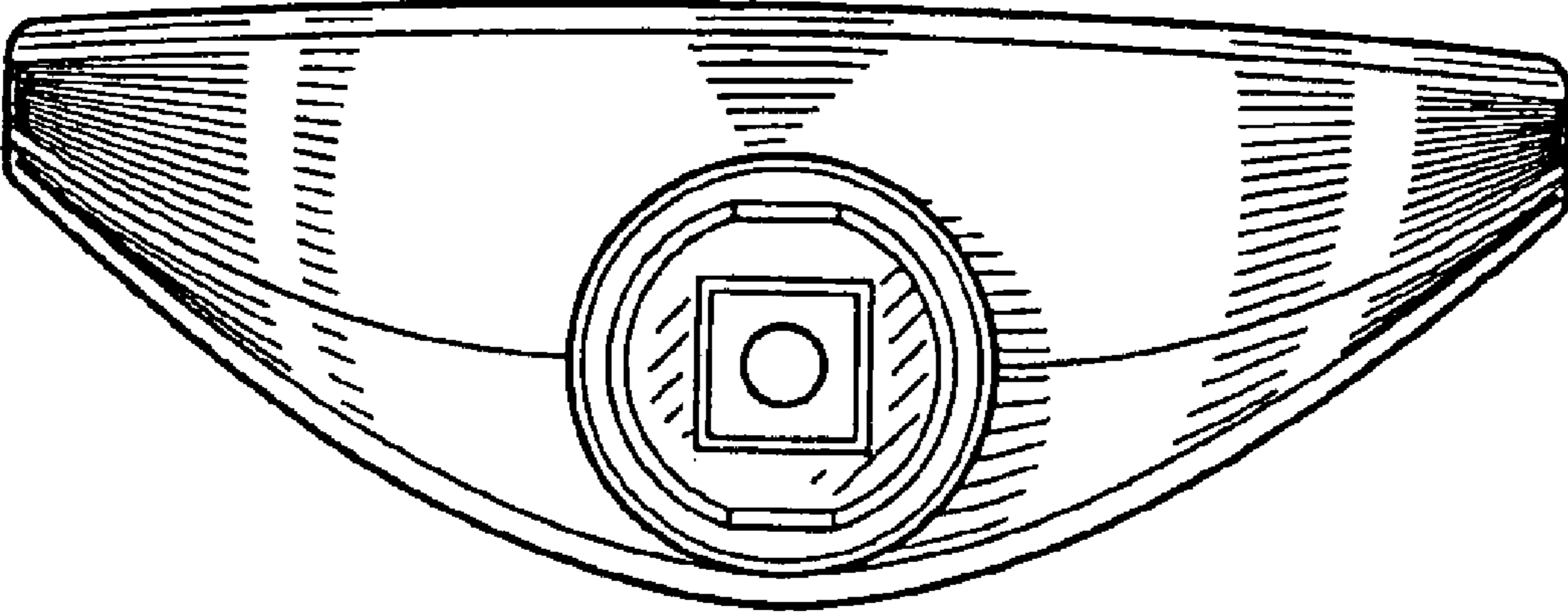


FIGURE 2

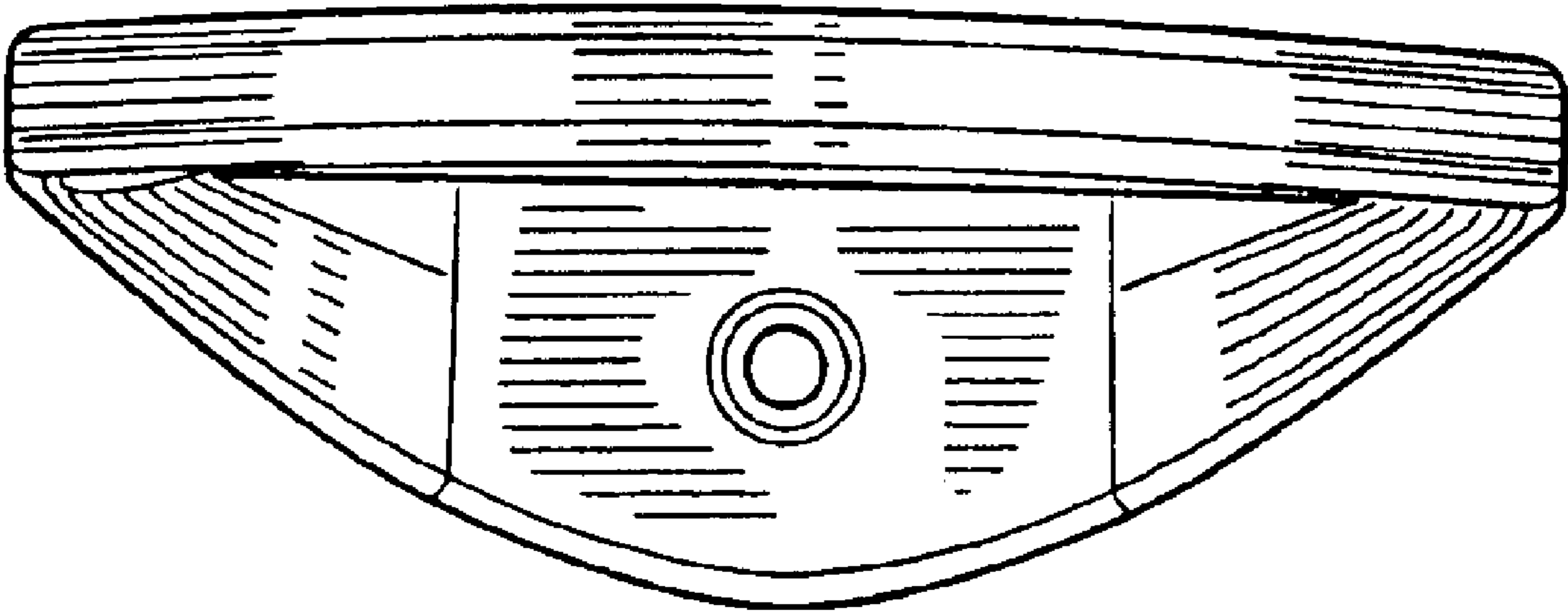


FIGURE 3

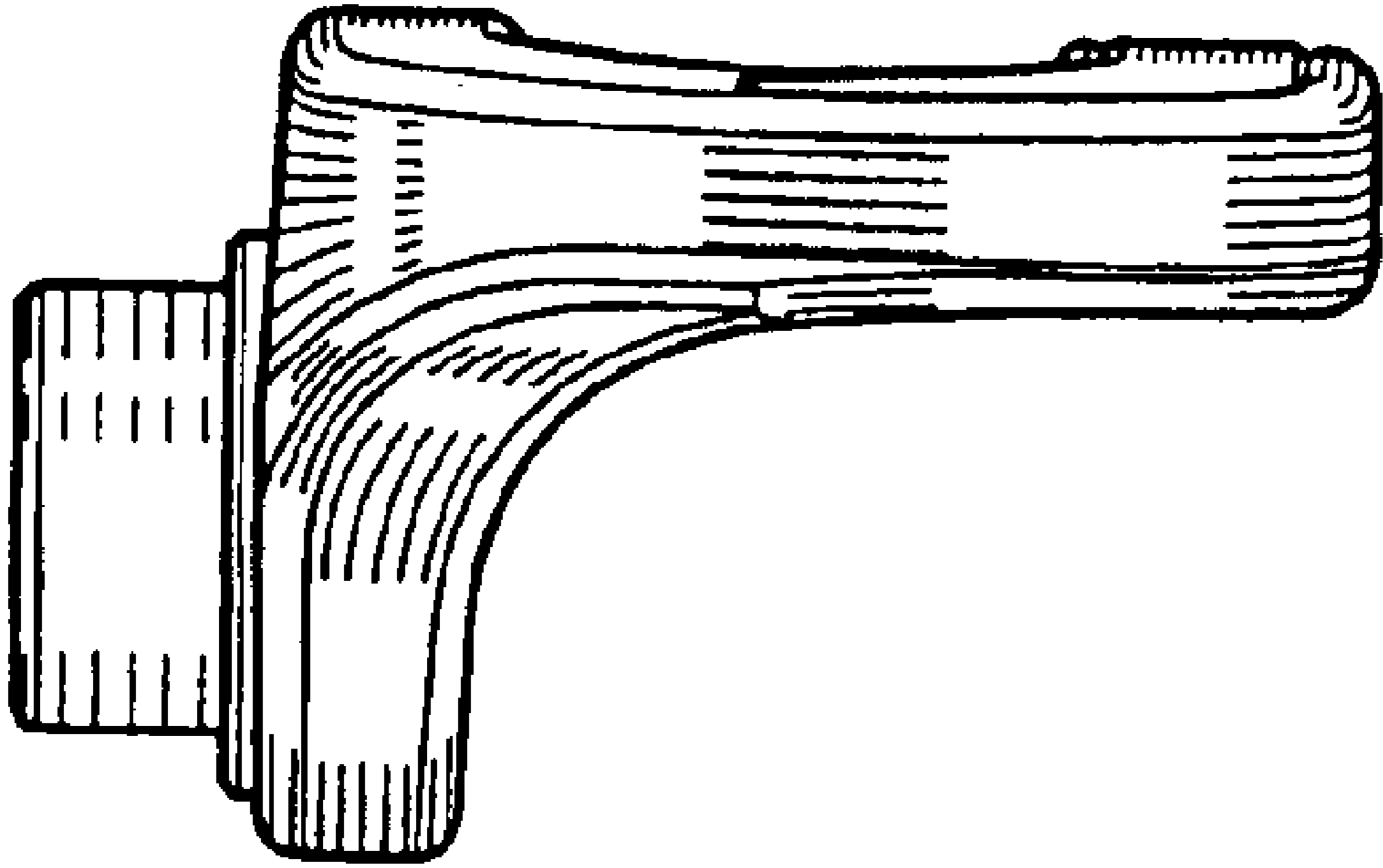


FIGURE 4

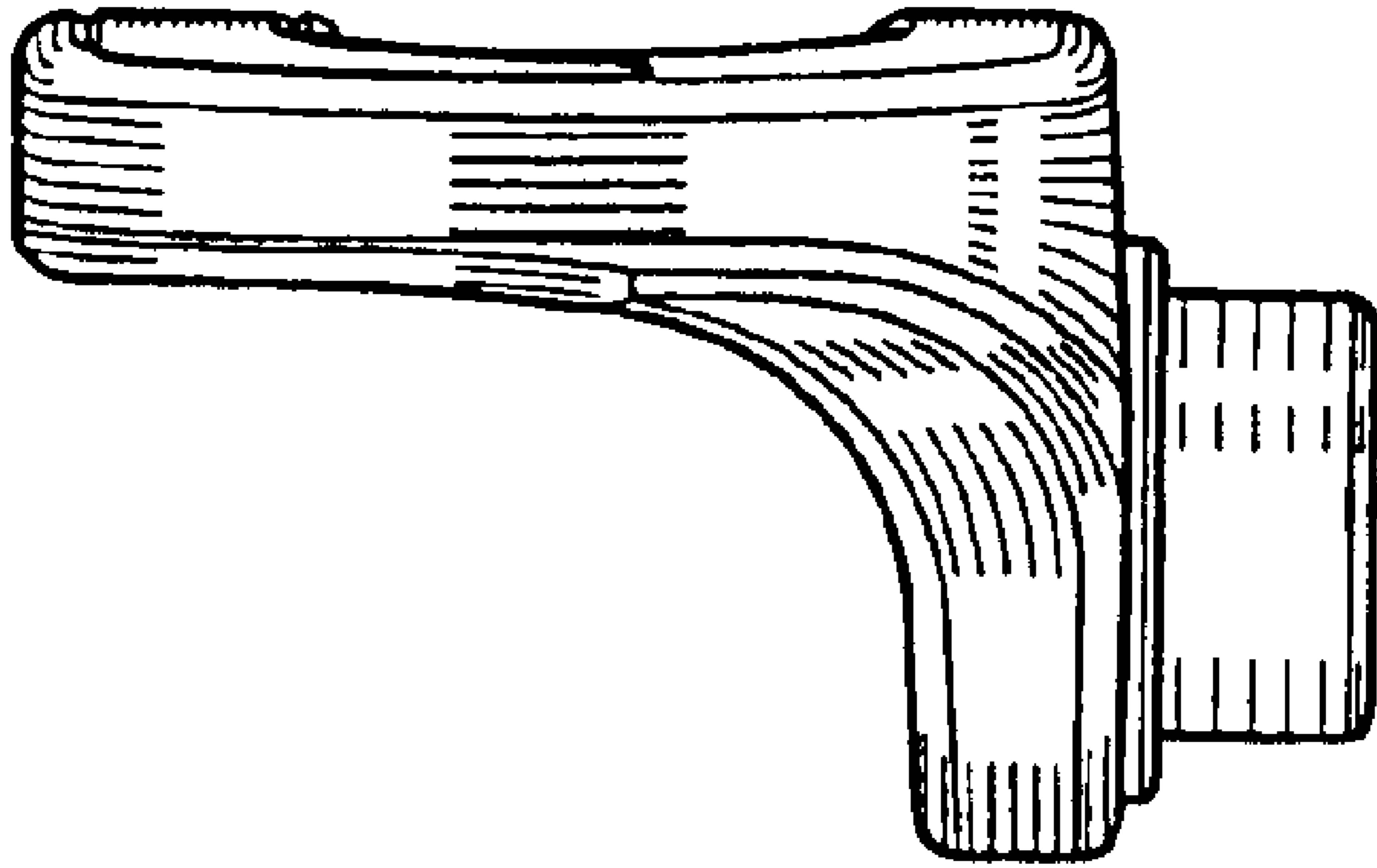


FIGURE 5

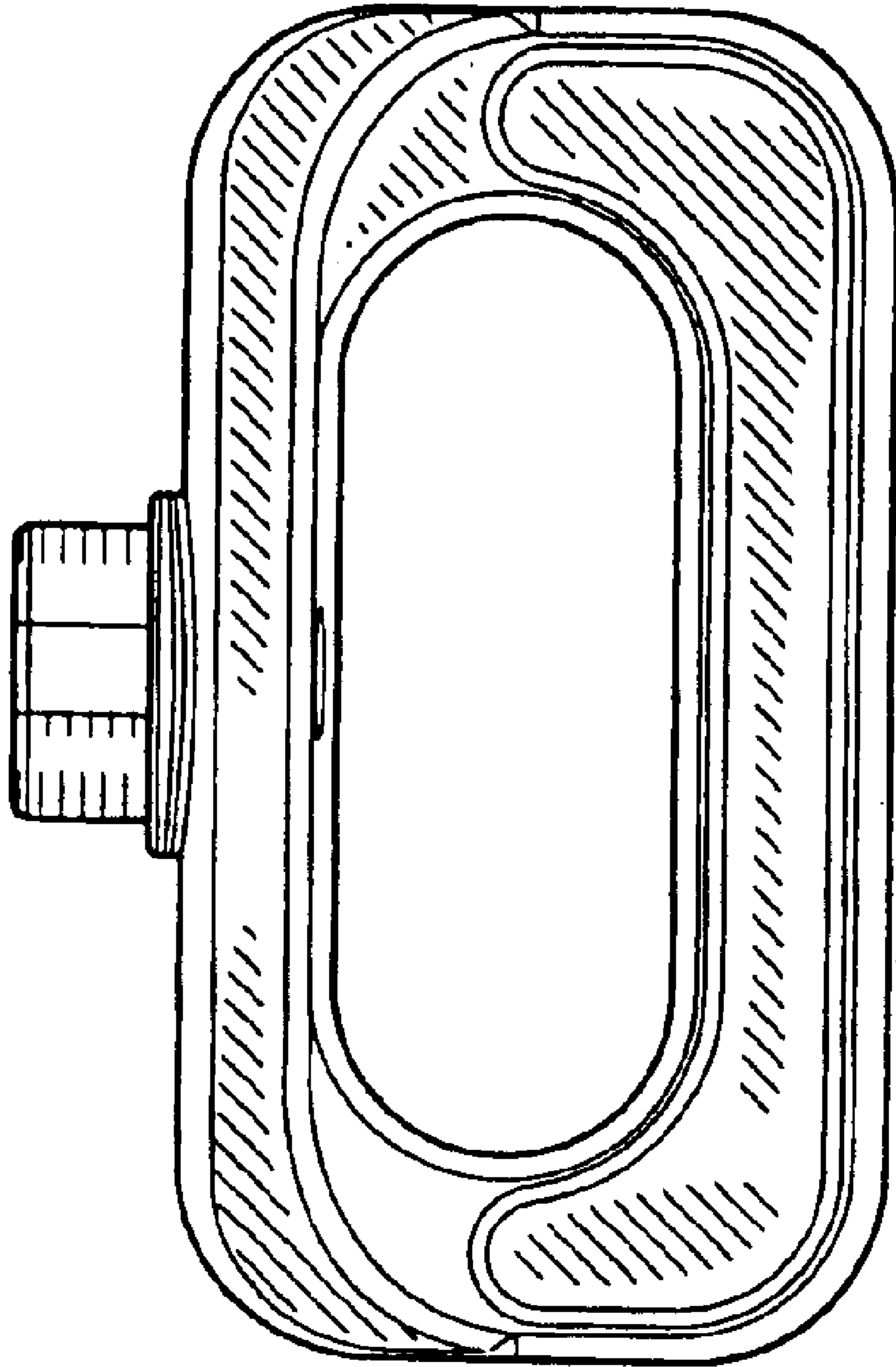


FIGURE 6

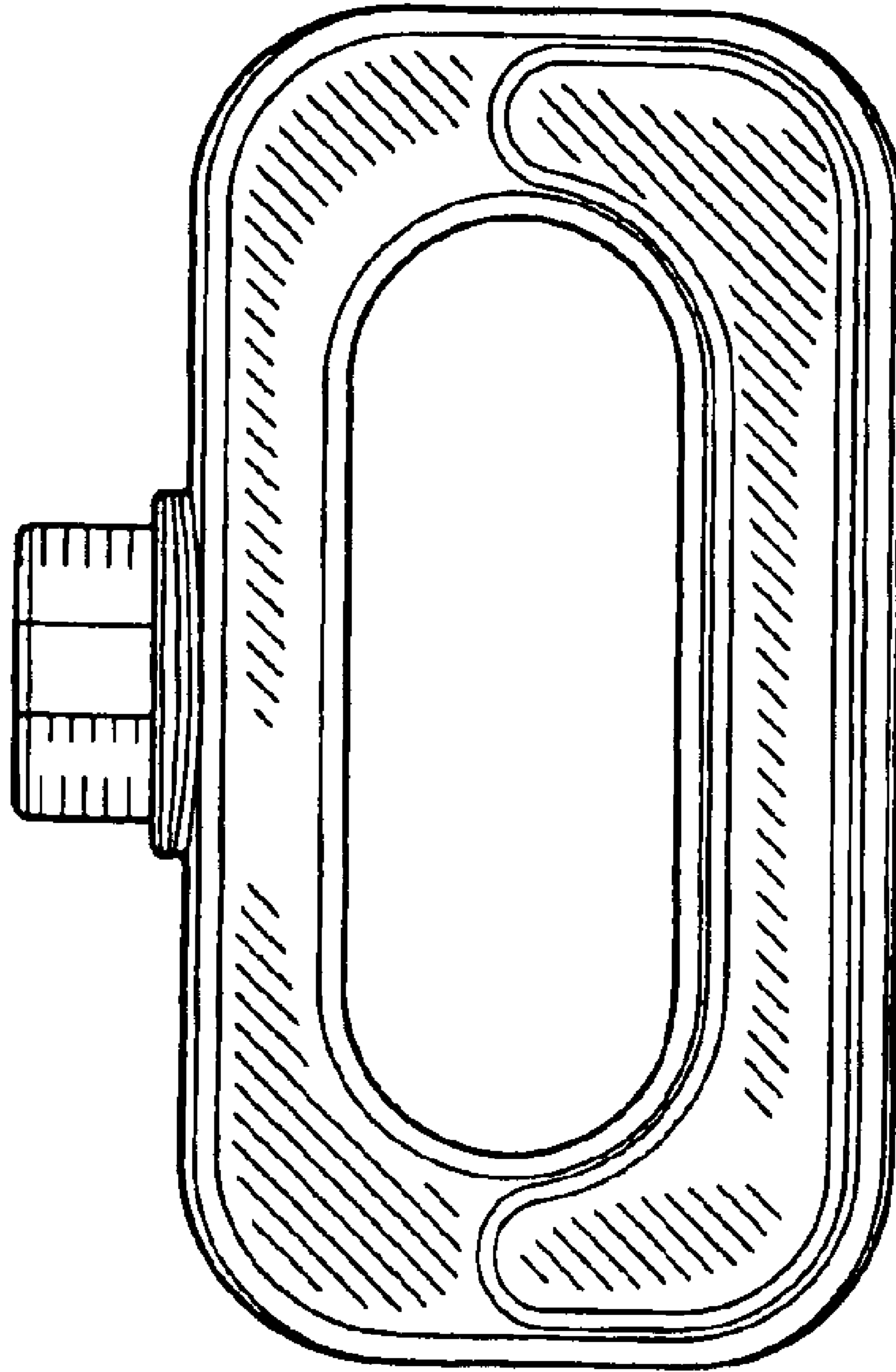


FIGURE 7