

US00D510229S

(12) **United States Design Patent** (10) **Patent No.:** **US D510,229 S**
Bengtson et al. (45) **Date of Patent:** **** Oct. 4, 2005**

(54) **MICROWAVE OVEN**

(75) Inventors: **Alan D. Bengtson**, St. Joseph, MI (US); **Mark W. Baldwin**, St. Joseph, MI (US); **Steve S. Lee**, St. Joseph, MI (US); **Philip M. Thompson**, St. Joseph, MI (US); **Jamian Cobbett**, Portland, OR (US)

(73) Assignee: **Whirlpool Corporation**, Benton Harbor, MI (US)

(**) Term: **14 Years**

(21) Appl. No.: **29/202,377**

(22) Filed: **Mar. 30, 2004**

(51) **LOC (8) Cl.** **07-02**

(52) **U.S. Cl.** **D7/351**

(58) **Field of Search** D7/350.1, 350.3, D7/350.4, 351, 402, 405-406; 126/273 A, 275 R, 275 E, 19 M, 21 R; 219/756-758; 99/DIG. 14

(56) **References Cited**

U.S. PATENT DOCUMENTS

D287,924 S	*	1/1987	Kubo et al.	D7/351
D309,691 S	*	8/1990	Yamagami et al.	D7/351
D310,151 S	*	8/1990	Kubo et al.	D7/351
D318,774 S	*	8/1991	Kubo et al.	D7/351
D339,024 S	*	9/1993	Ichihara et al.	D7/351
D415,650 S	*	10/1999	Hessen et al.	D7/351
D468,578 S	*	1/2003	Fukuda et al.	D7/351
D485,117 S	*	1/2004	Bengtson	D7/351

* cited by examiner

Primary Examiner—Ruth McInroy

(74) *Attorney, Agent, or Firm*—John F. Colligan; Robert O. Rice; Stephen Krefman

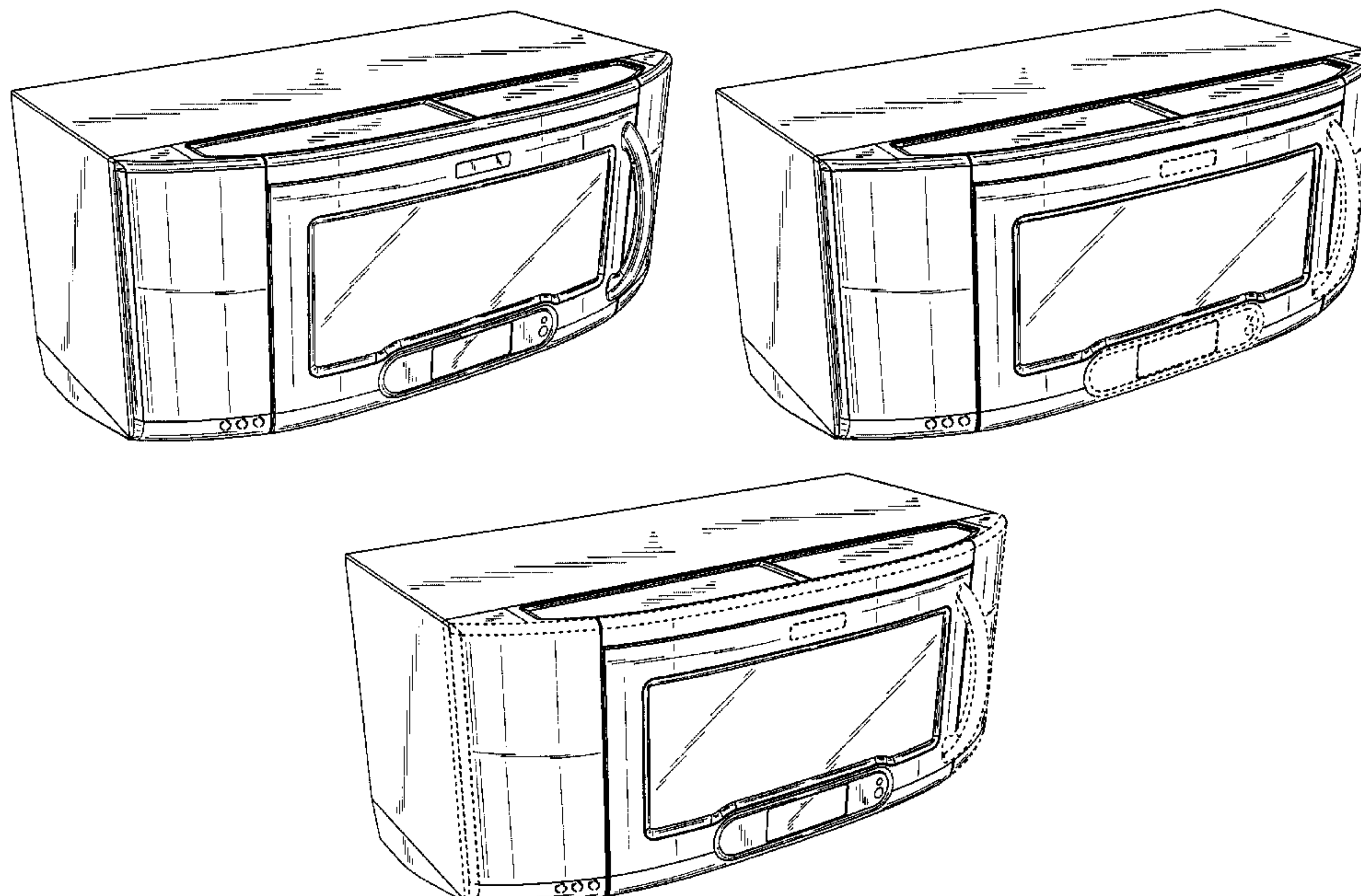
(57) **CLAIM**

The ornamental design for a microwave oven, as shown and described.

DESCRIPTION

FIG. 1 is a right, front perspective view of a microwave oven showing our new design;
 FIG. 2 is a front elevational view thereof;
 FIG. 3 is a left side elevational view thereof;
 FIG. 4 is a right side elevational view thereof;
 FIG. 5 is a top plan view thereof;
 FIG. 6 is a front perspective view of a second embodiment thereof;
 FIG. 7 is a front elevational view of FIG. 6;
 FIG. 8 is a left side elevational view of FIG. 6;
 FIG. 9 is a right side elevational view of FIG. 6;
 FIG. 10 is a top plan view of FIG. 6;
 FIG. 11 is a front perspective view of a third embodiment thereof;
 FIG. 12 is a front elevational view of FIG. 11;
 FIG. 13 is a left side elevational view of FIG. 11;
 FIG. 14 is a right side elevational view of FIG. 11;
 FIG. 15 is a top plan view of FIG. 11;
 FIG. 16 is a front perspective view of a fourth embodiment thereof;
 FIG. 17 is a front elevational view of FIG. 16;
 FIG. 18 is a left side elevational view of FIG. 16;
 FIG. 19 is a right side elevational view of FIG. 16; and,
 FIG. 20 is a top plan view of FIG. 16.
 The details shown in broken lines in FIGS. 6-20 are for illustrative purposes only and form no part of the claimed design.

1 Claim, 16 Drawing Sheets



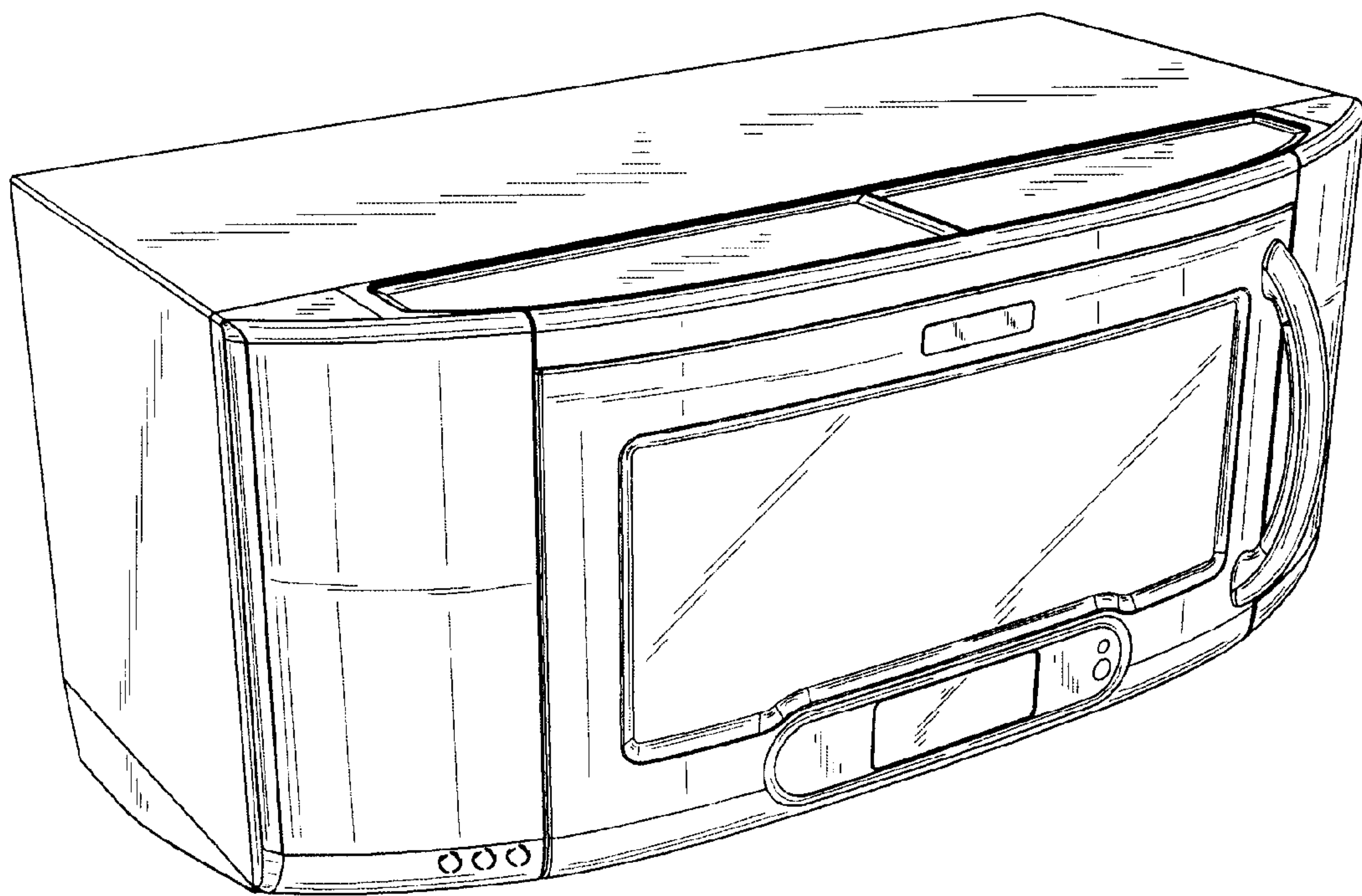


Fig. 1

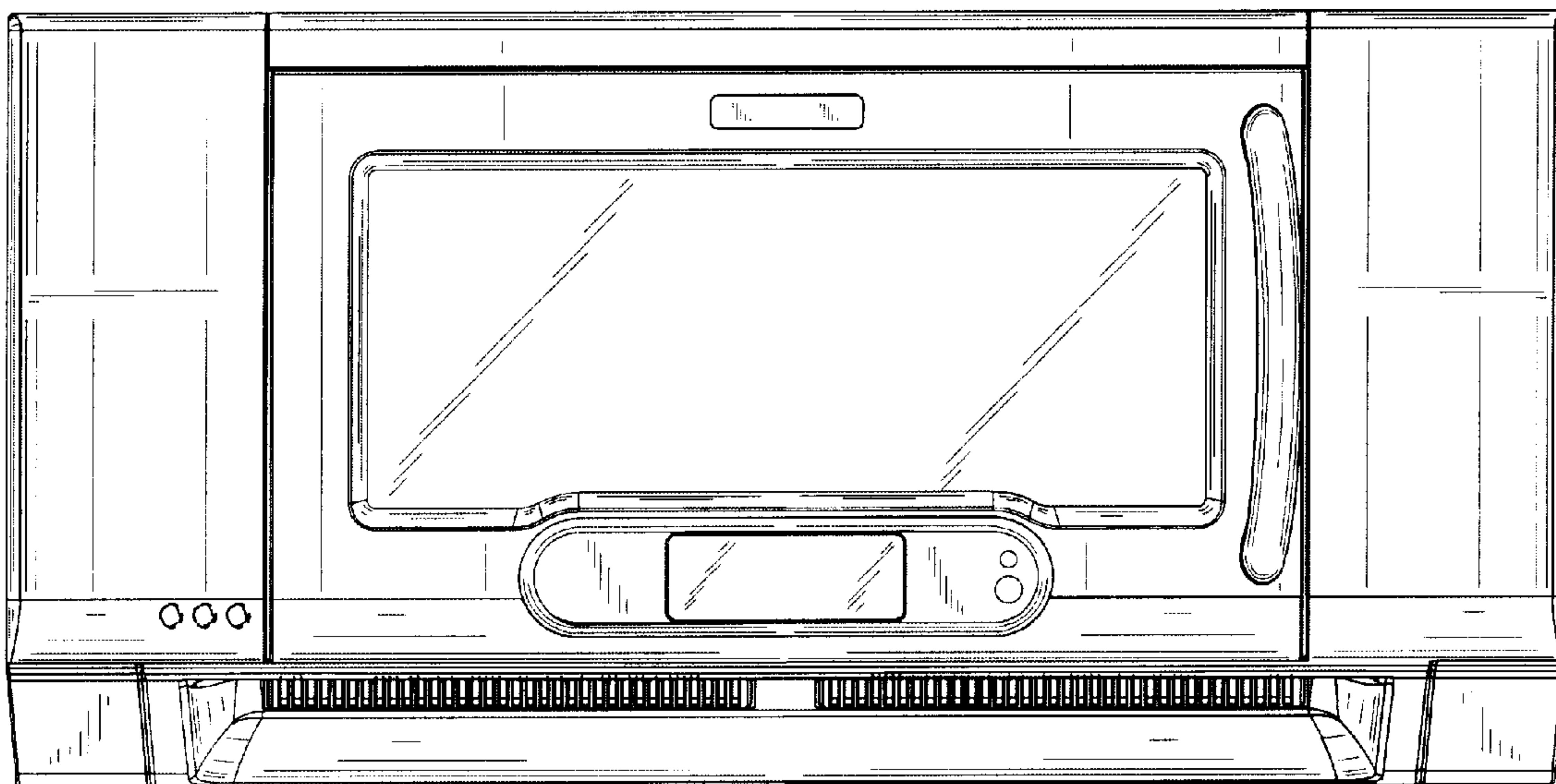


Fig. 2

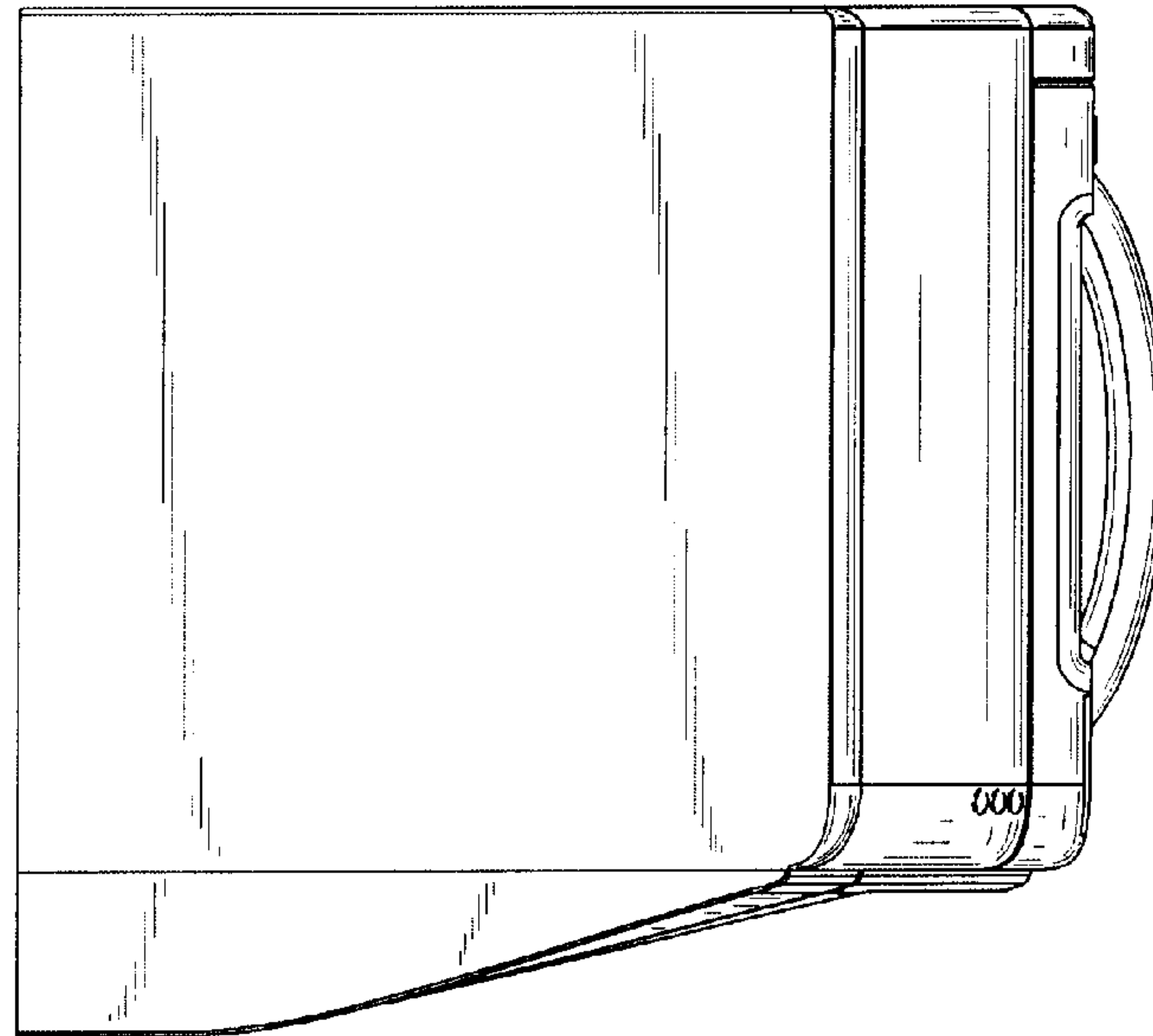


Fig. 3

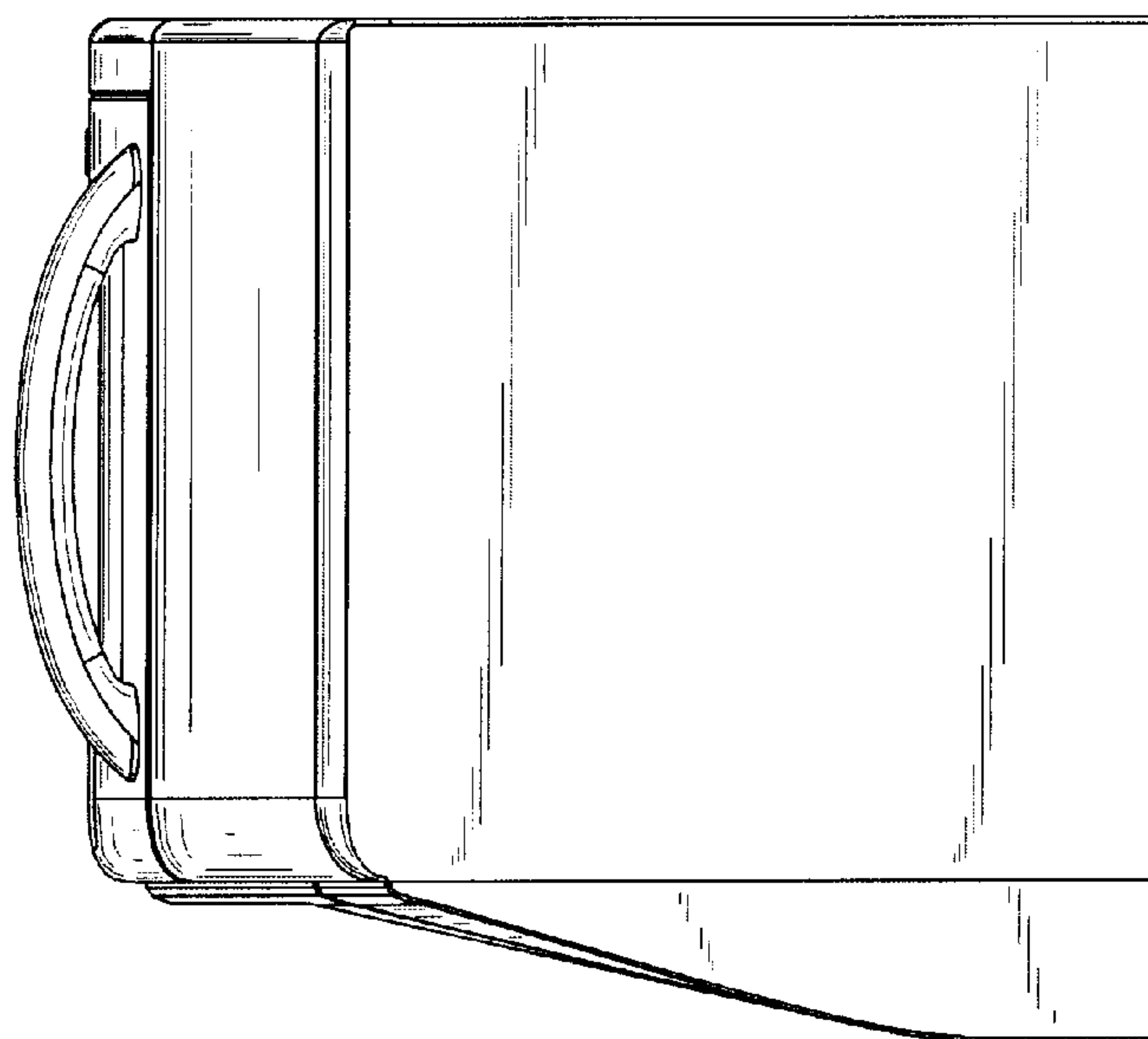


Fig. 4

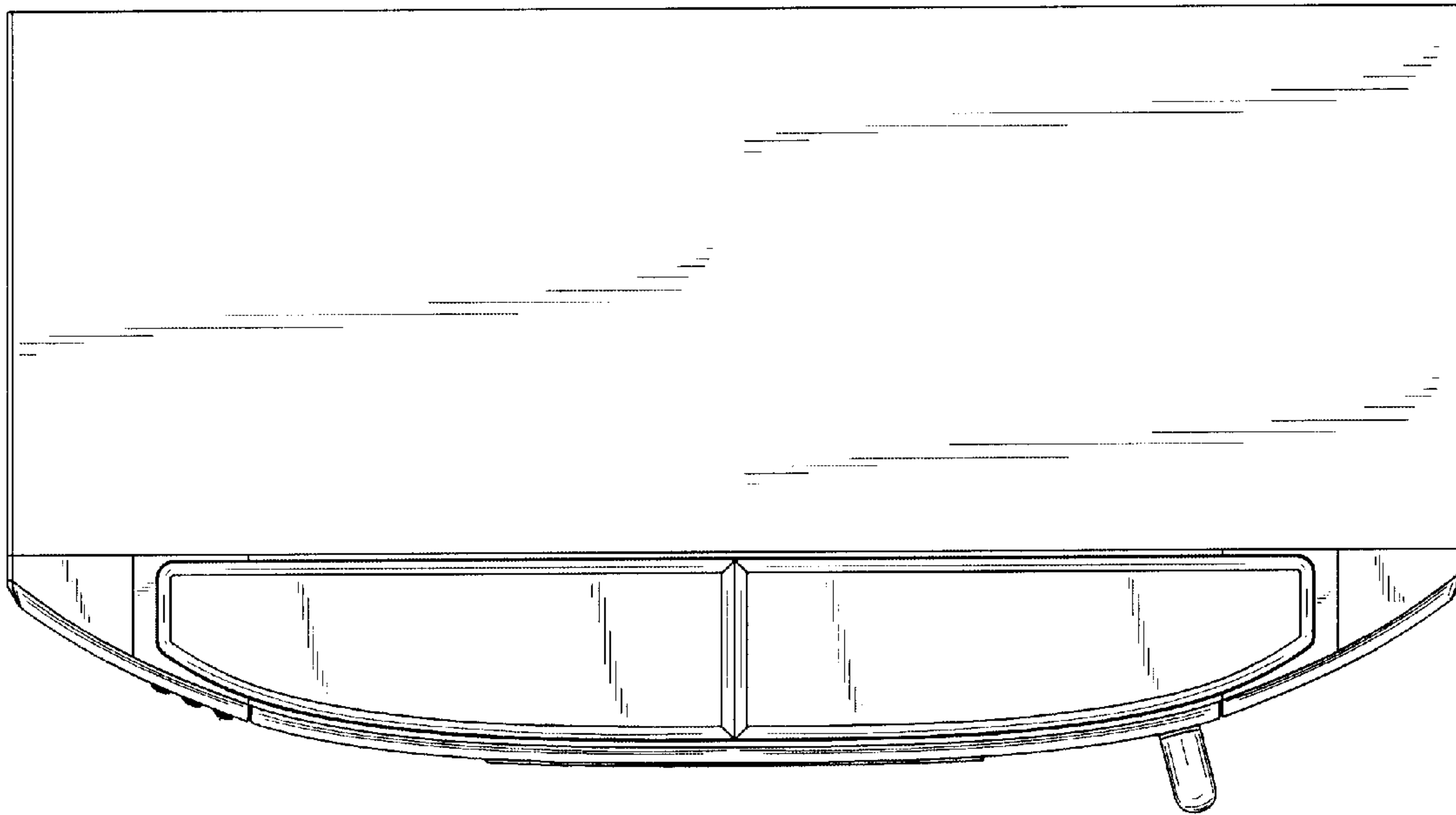


Fig. 5

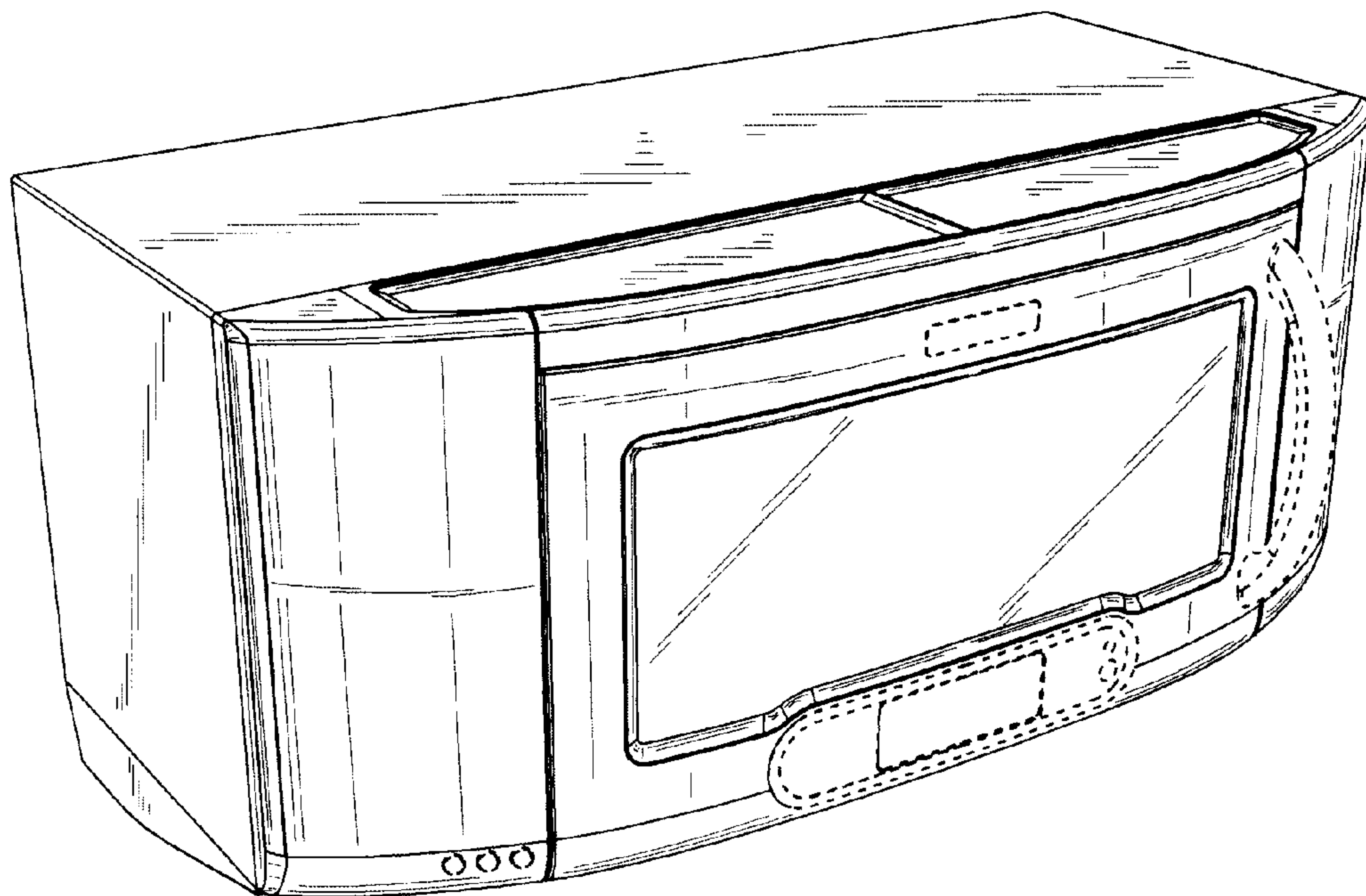


Fig. 6

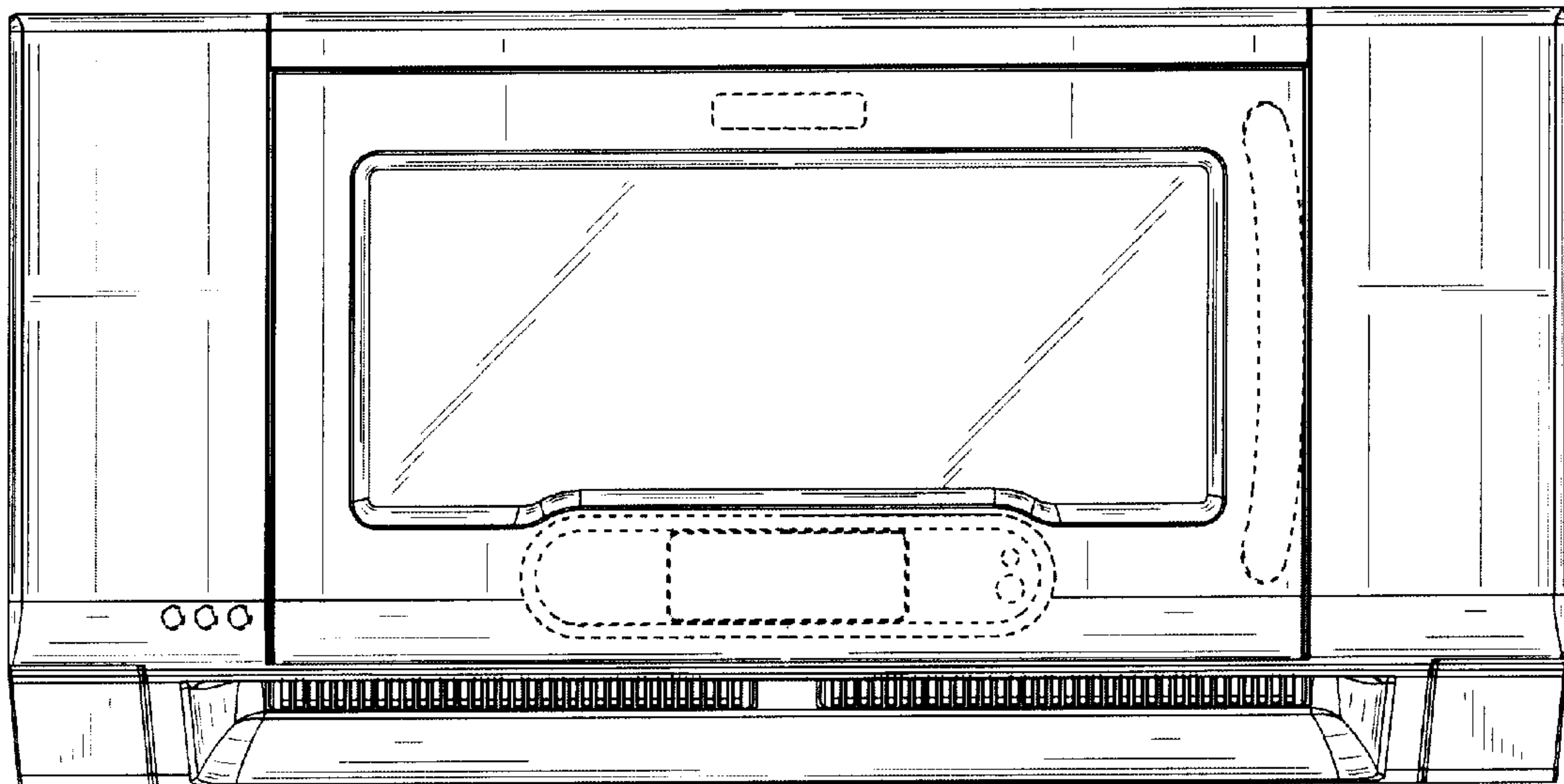


Fig. 7

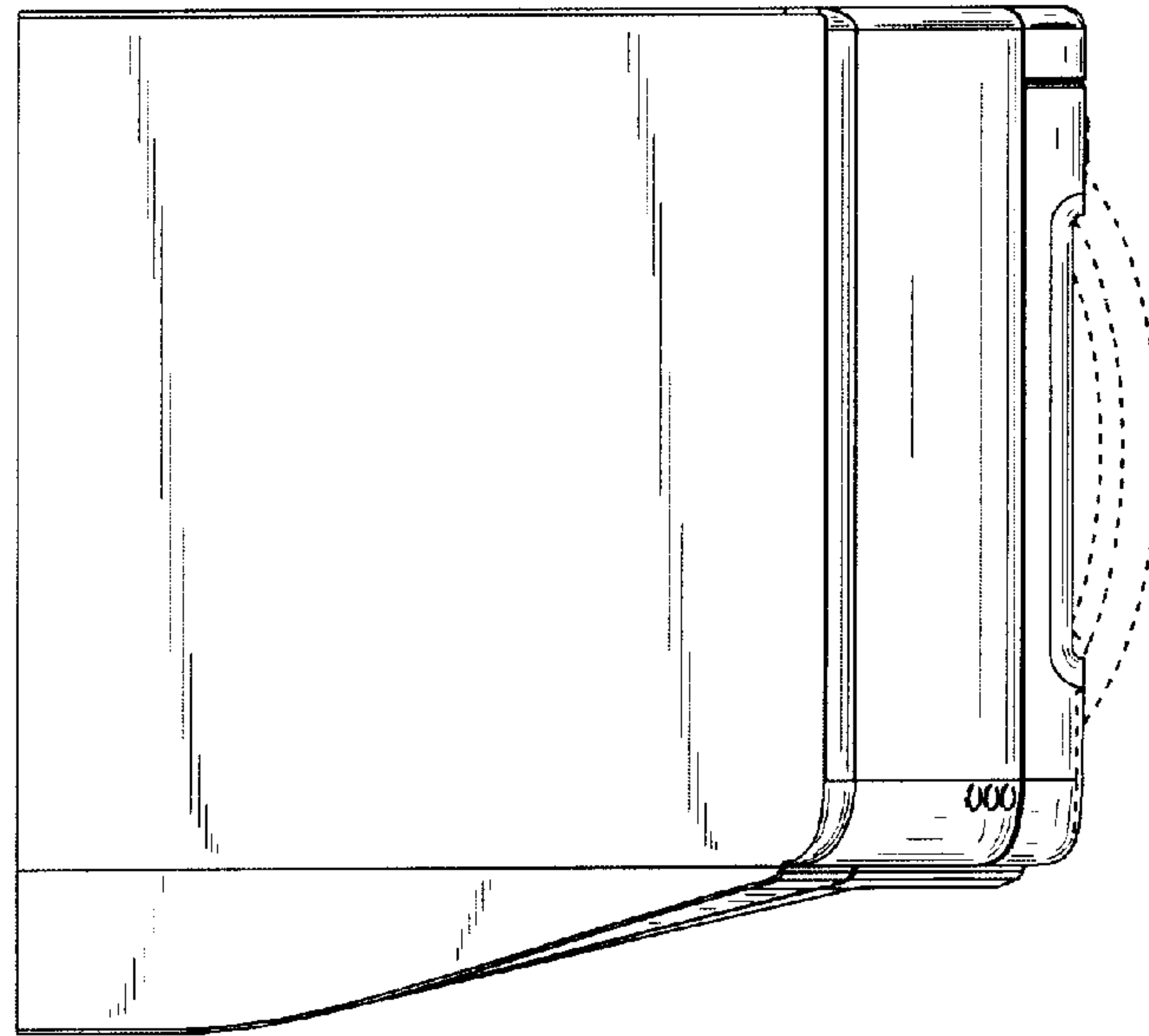


Fig. 8

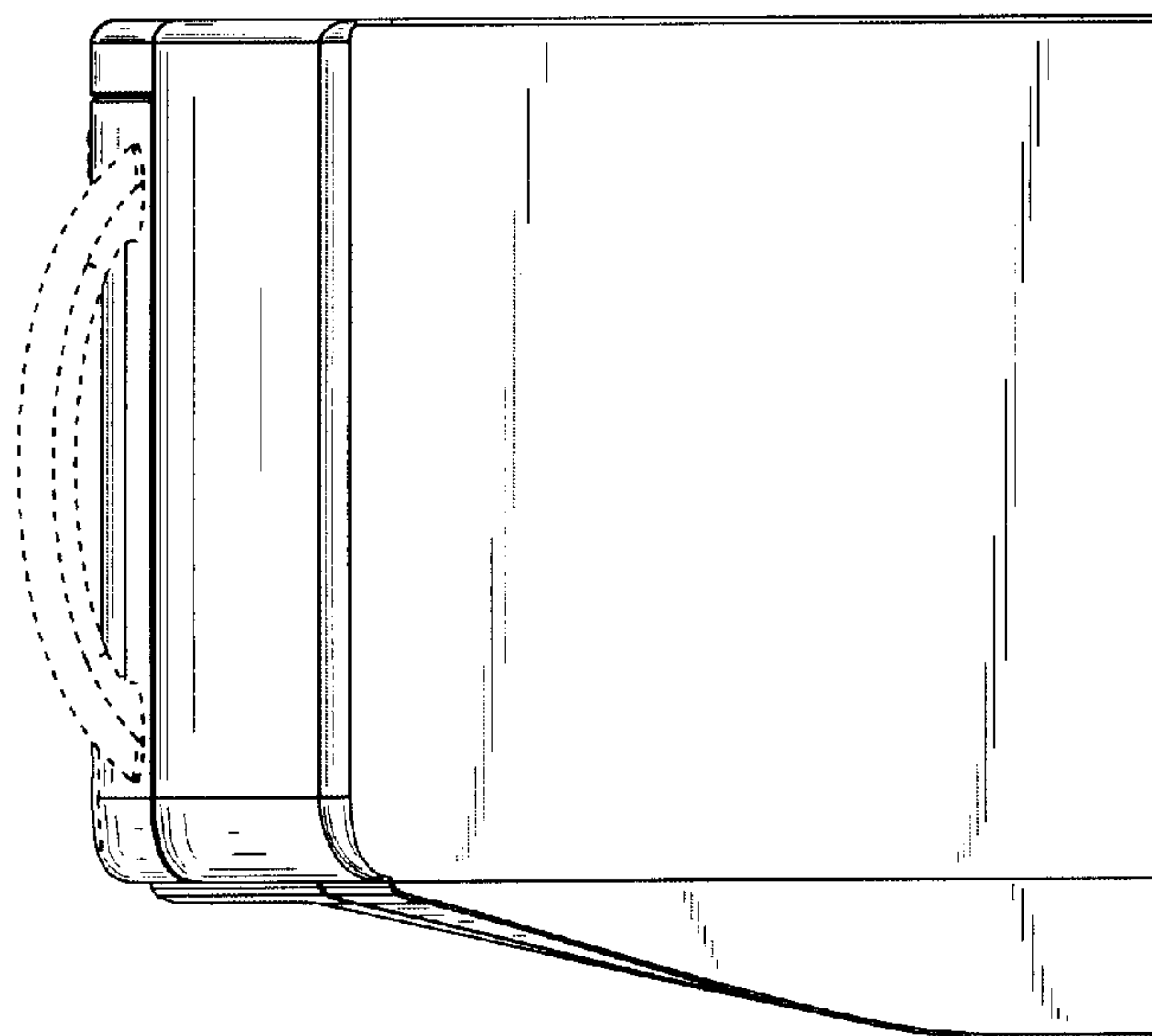


Fig. 9

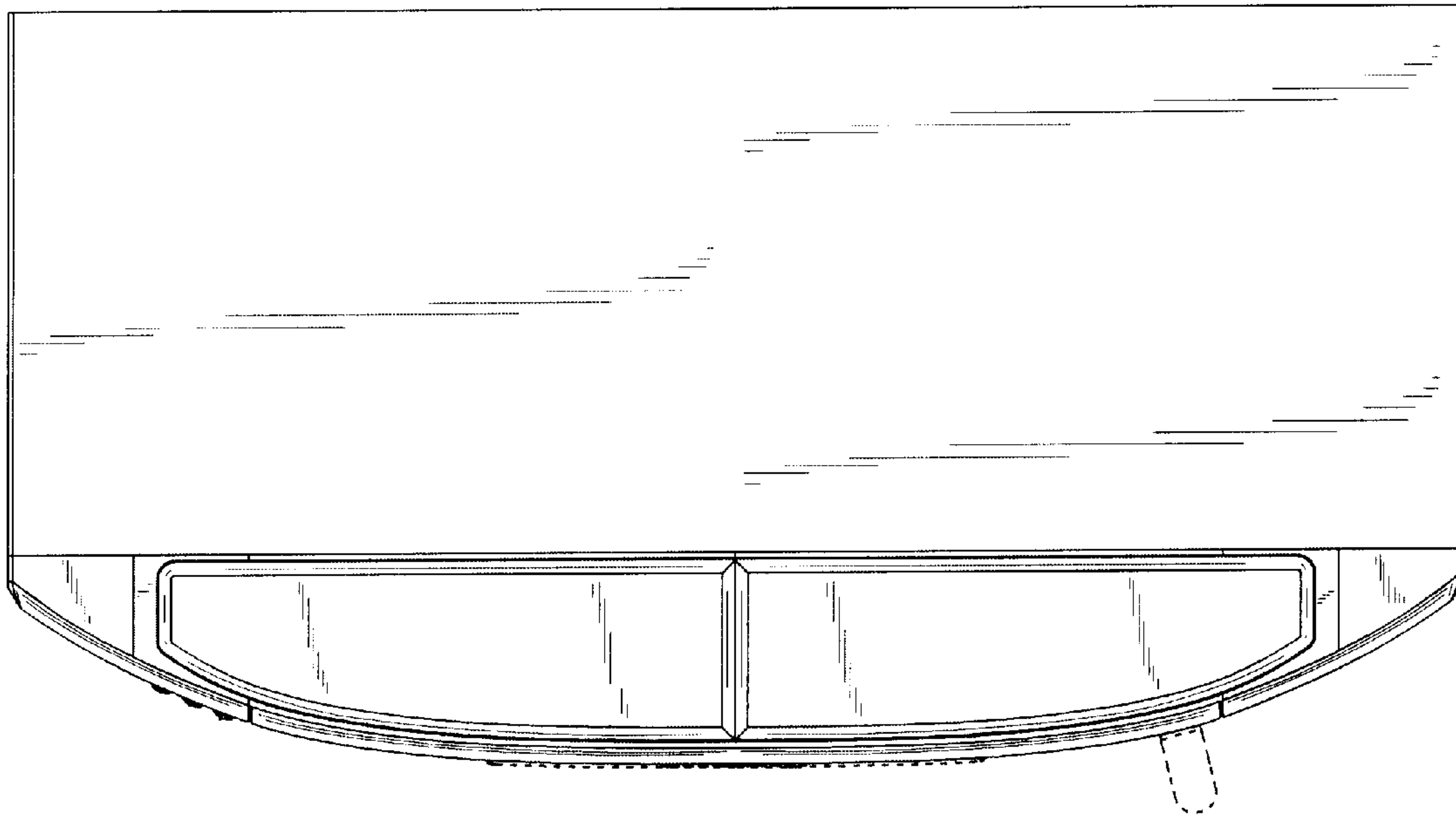


Fig. 10

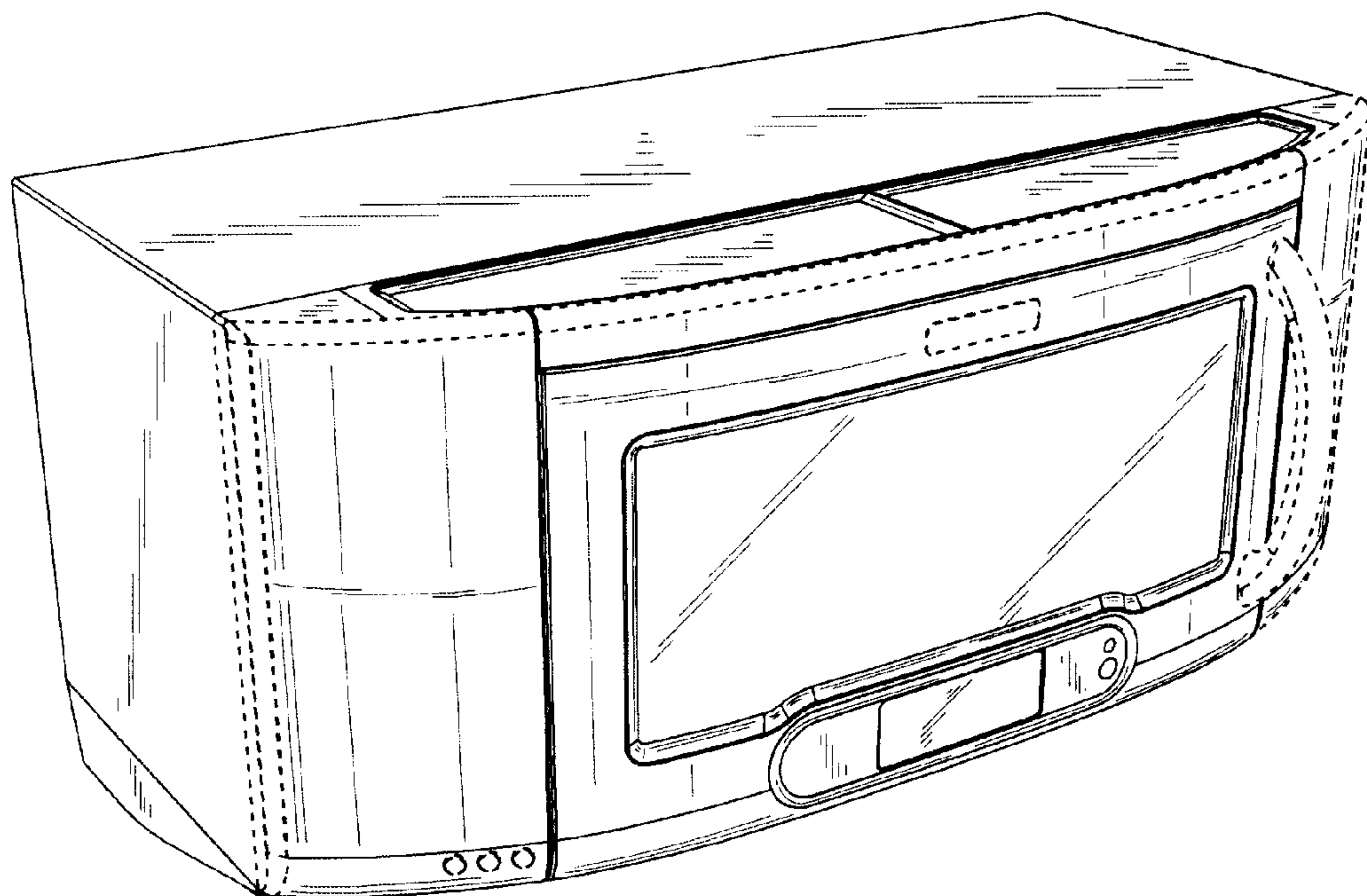


Fig. 11

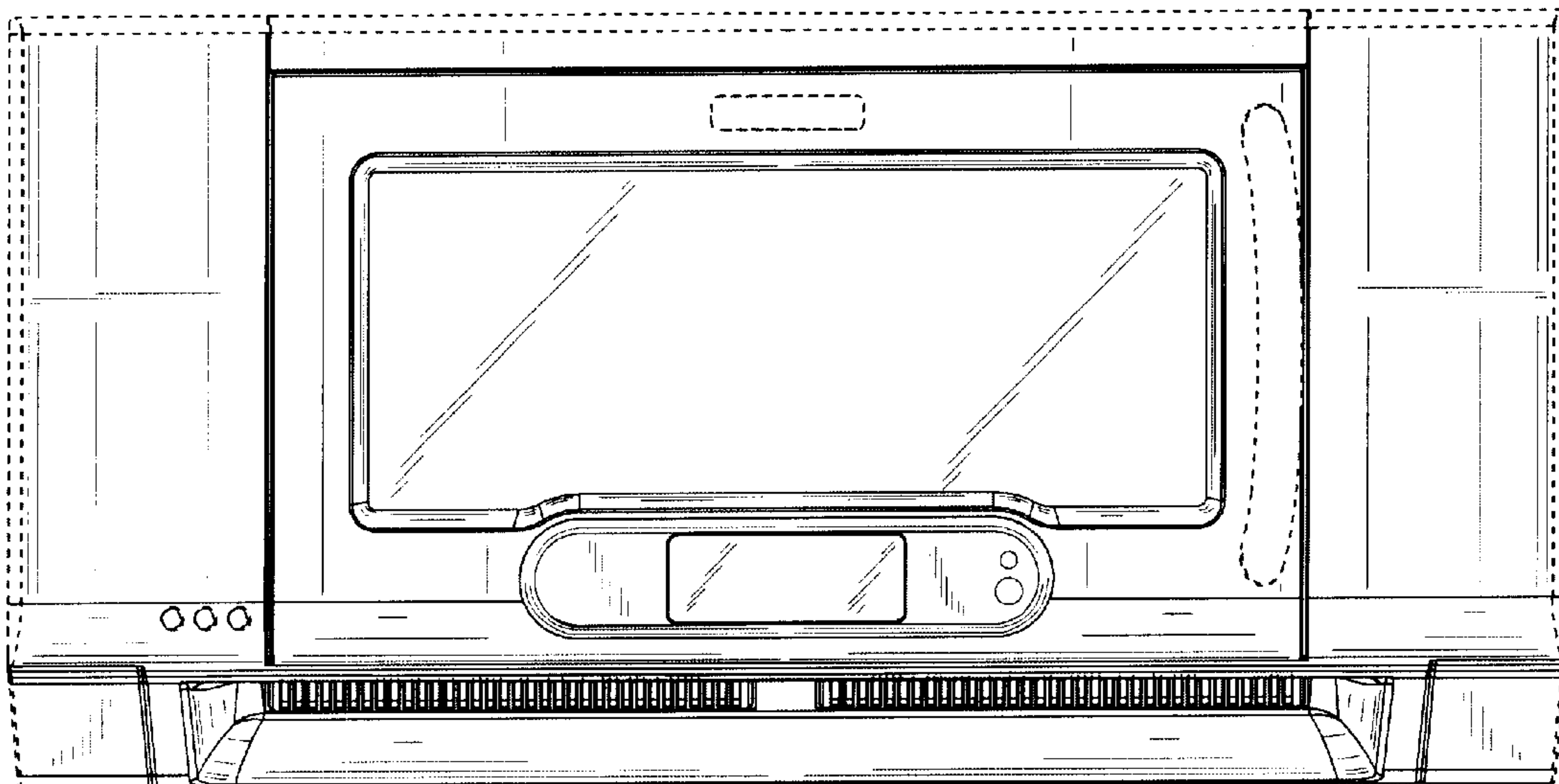


Fig. 12

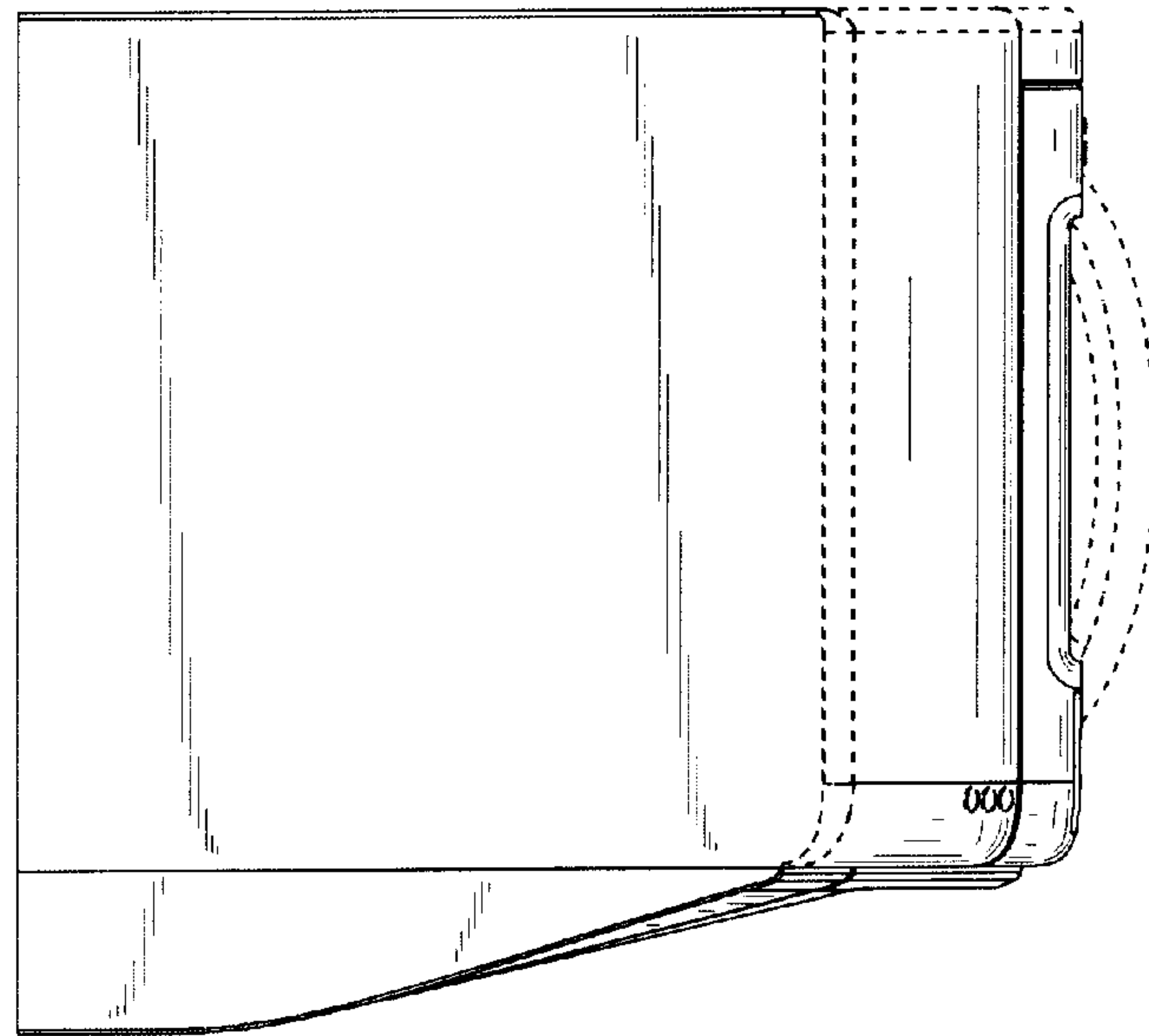


Fig. 13

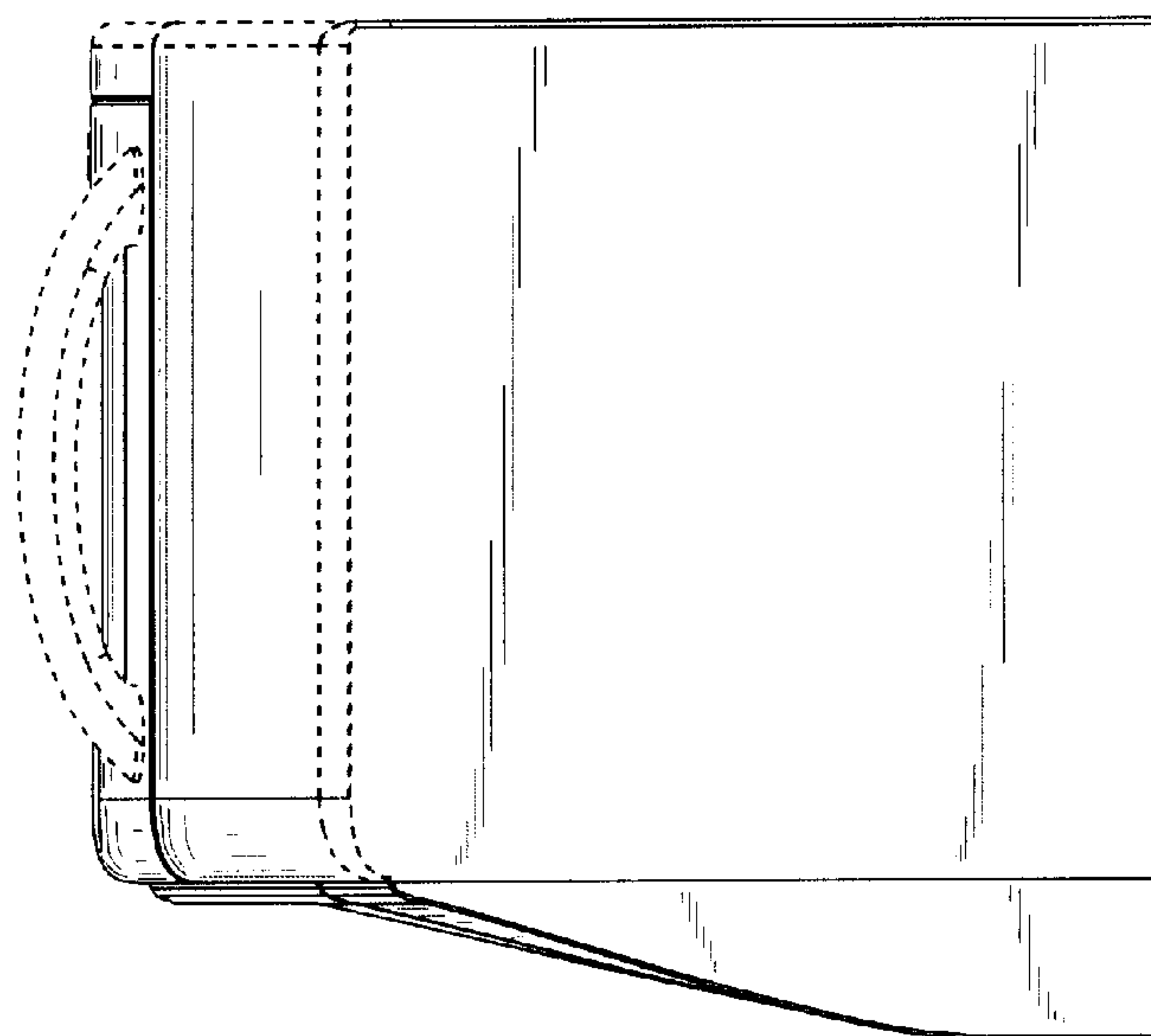


Fig. 14

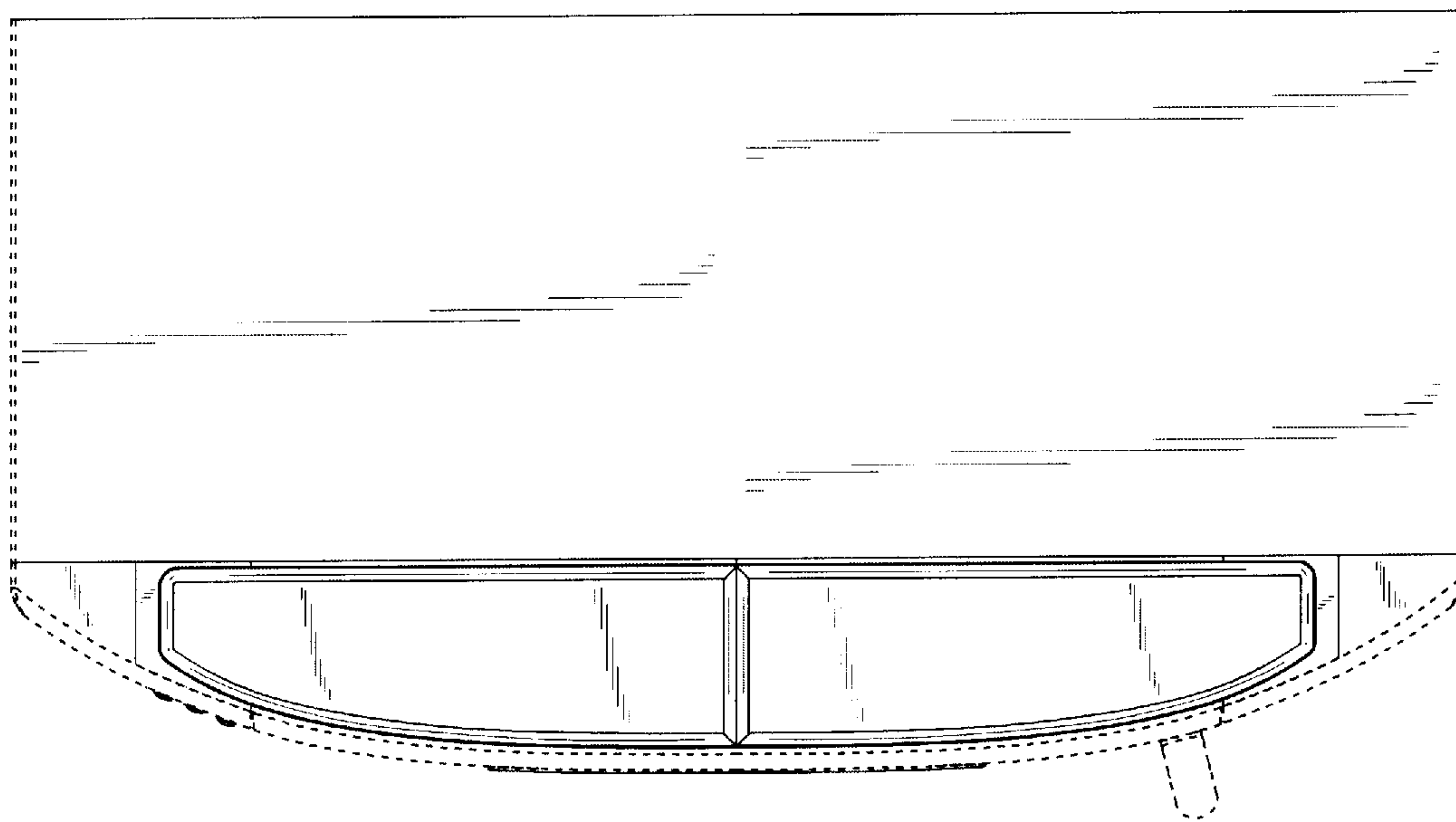


Fig. 15

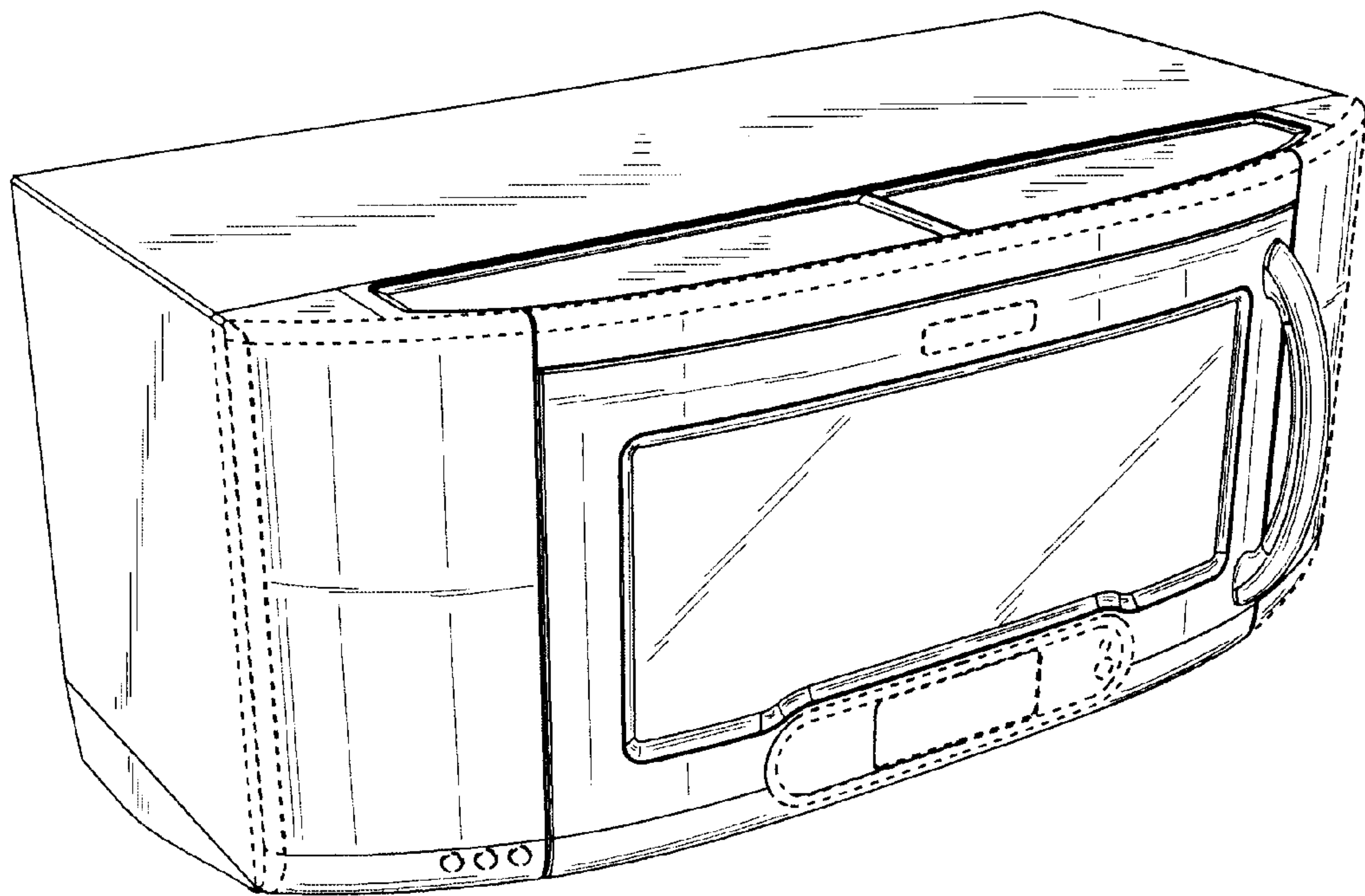


Fig. 16

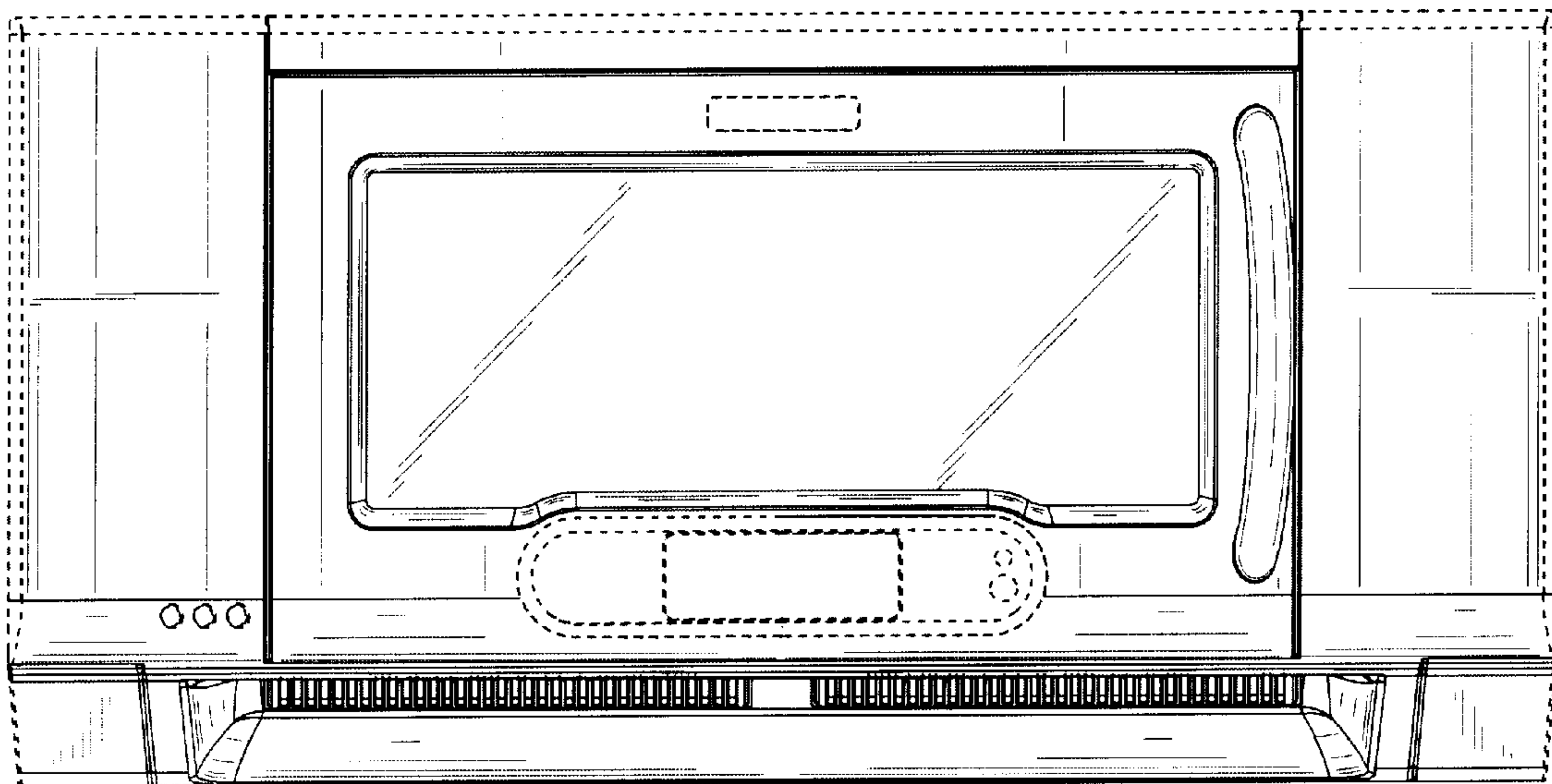


Fig. 17

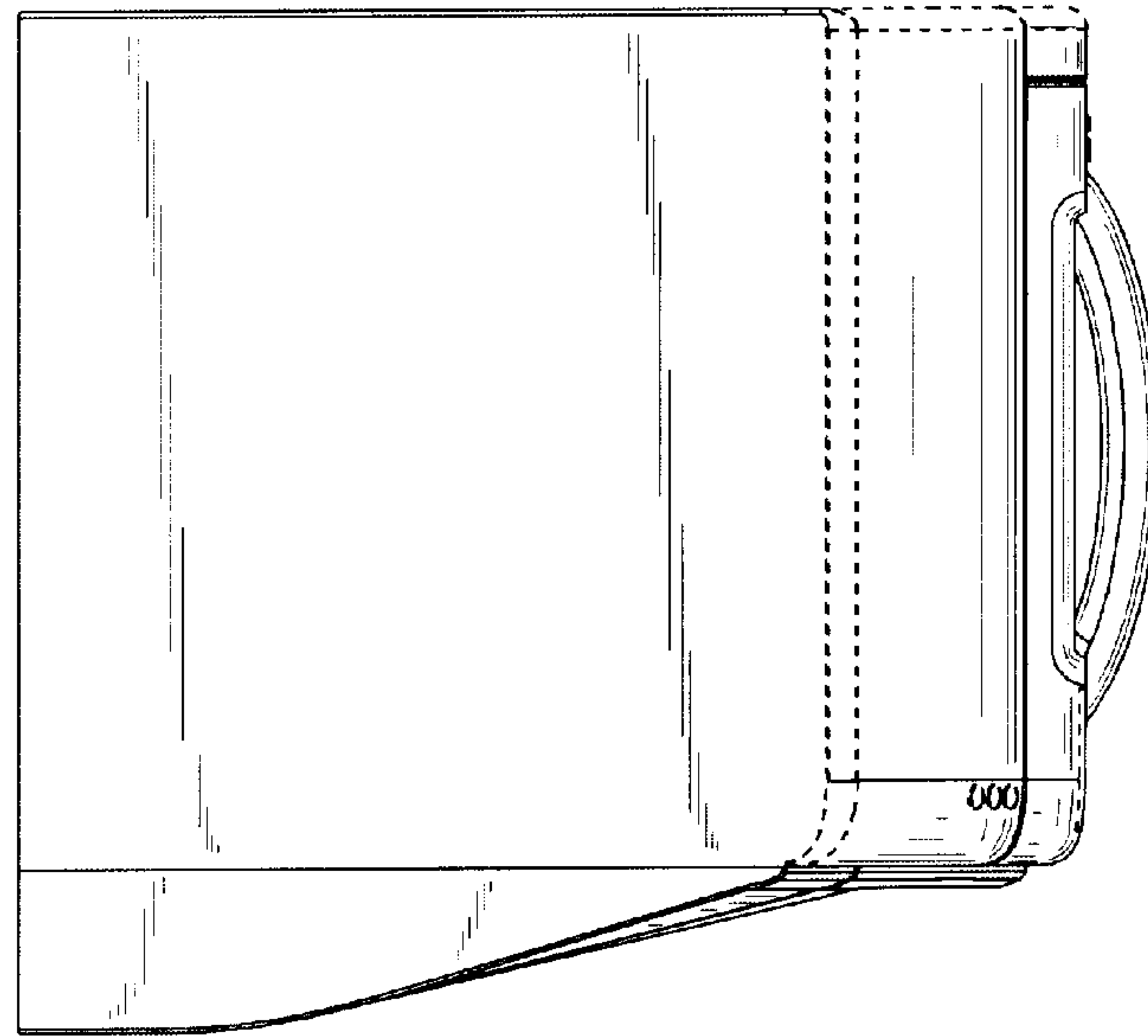


Fig. 18

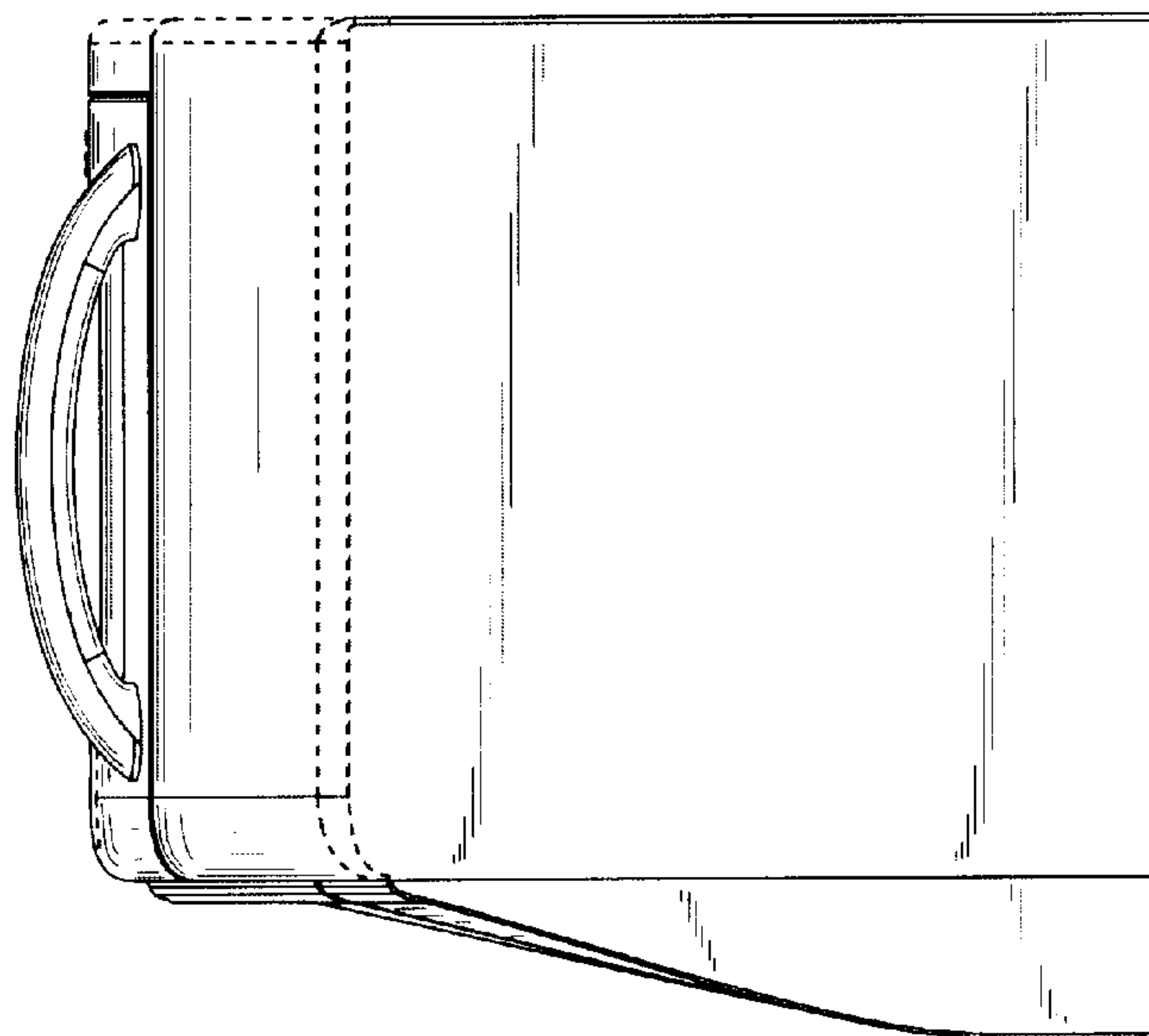


Fig. 19

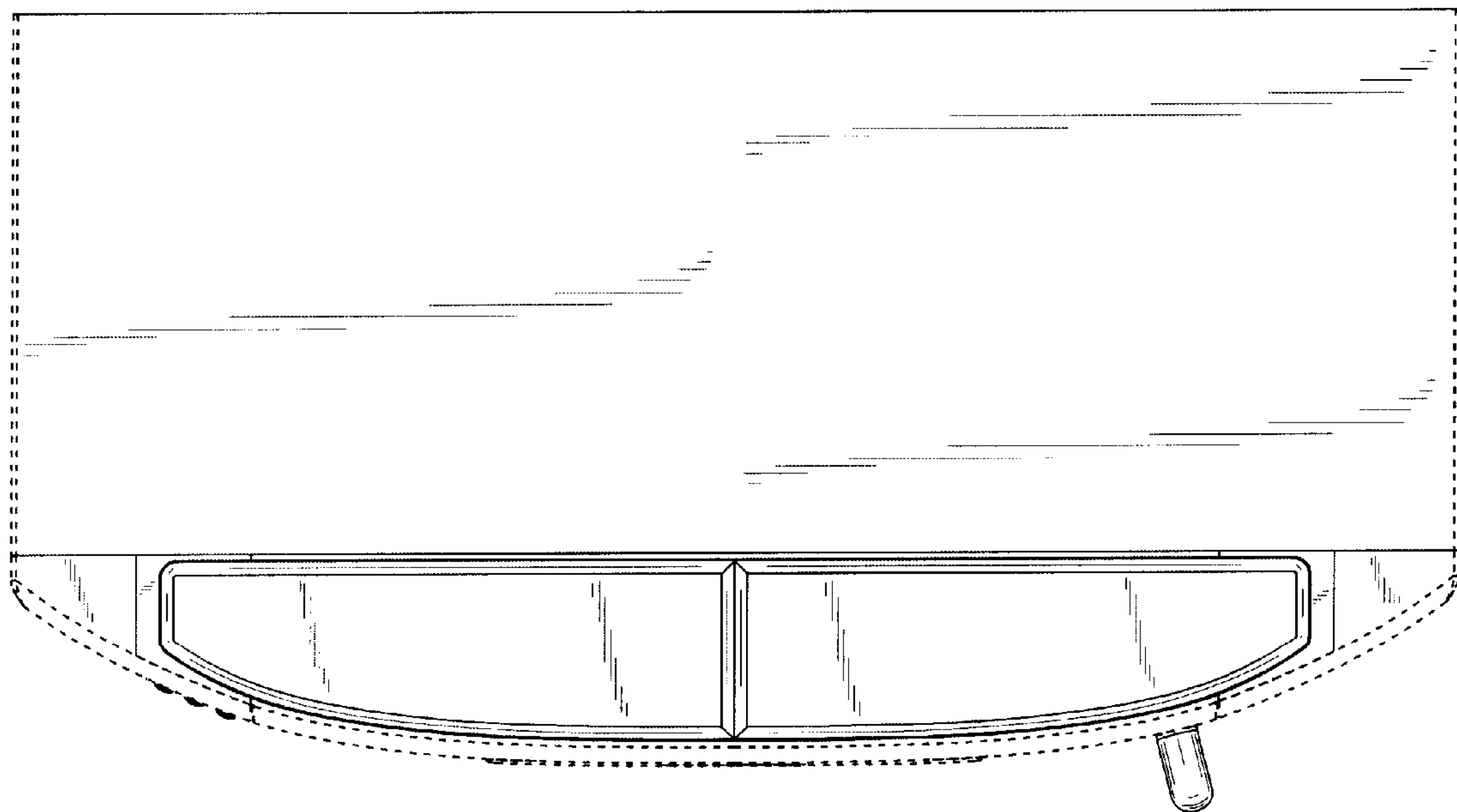


Fig. 20